



US00D649512S

(12) **United States Design Patent**  
**Shimoji et al.**

(10) **Patent No.:** **US D649,512 S**

(45) **Date of Patent:** **\*\* Nov. 29, 2011**

(54) **ELECTRICAL CONNECTOR**

(75) Inventors: **Kenichi Shimoji**, Tokyo (JP); **Takaaki Kudo**, Tokyo (JP)

(73) Assignee: **Japan Aviation Electronics Industry, Limited**, Tokyo (JP)

(\*\*) Term: **14 Years**

(21) Appl. No.: **29/359,162**

(22) Filed: **Apr. 7, 2010**

(30) **Foreign Application Priority Data**

Oct. 8, 2009 (JP) ..... 2009-023594

(51) **LOC (9) Cl.** ..... **13-03**

(52) **U.S. Cl.** ..... **D13/133**

(58) **Field of Classification Search** ..... D13/133,  
D13/134, 154, 184; D26/142; 362/260,  
362/457; 439/180, 220-222, 226, 239, 246,  
439/375, 381, 892, 894

See application file for complete search history.

(56) **References Cited**

**U.S. PATENT DOCUMENTS**

3,933,405 A \* 1/1976 Patterson et al. .... 439/862  
5,800,213 A \* 9/1998 Regnier et al. .... 439/637  
D547,269 S \* 7/2007 Sugita et al. .... D13/133

D603,804 S \* 11/2009 Urano ..... D13/154  
D636,344 S \* 4/2011 Naito ..... D13/154  
2010/0002419 A1 \* 1/2010 Naito ..... 362/97.1  
2010/0203752 A1 \* 8/2010 Urano ..... 439/265  
2010/0267289 A1 \* 10/2010 Urano ..... 439/733.1

\* cited by examiner

*Primary Examiner* — Daniel Bui

(74) *Attorney, Agent, or Firm* — Holtz, Holtz, Goodman & Chick, PC

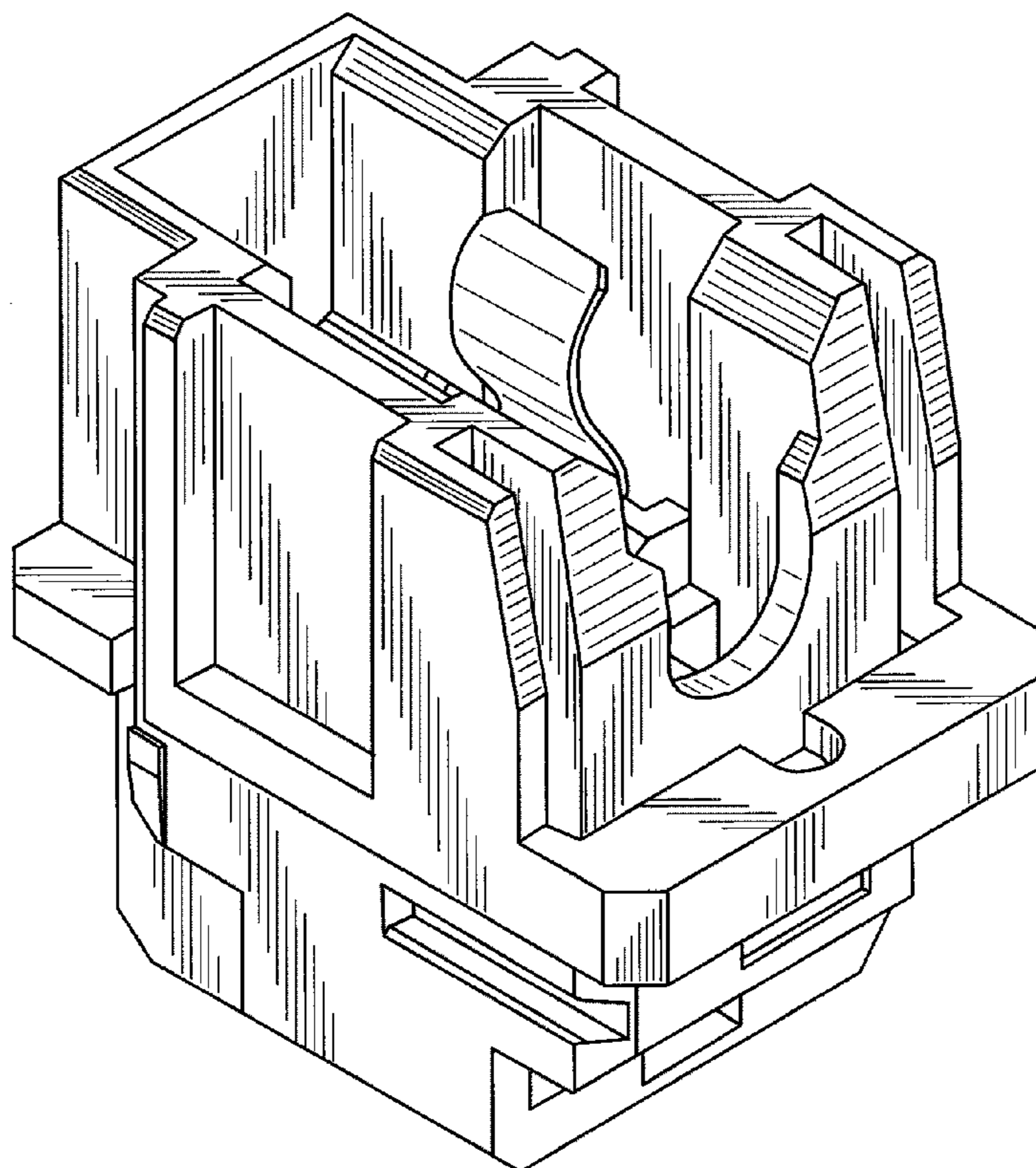
(57) **CLAIM**

The ornamental design for an electrical connector, as shown in the drawings and the description of the drawings and described.

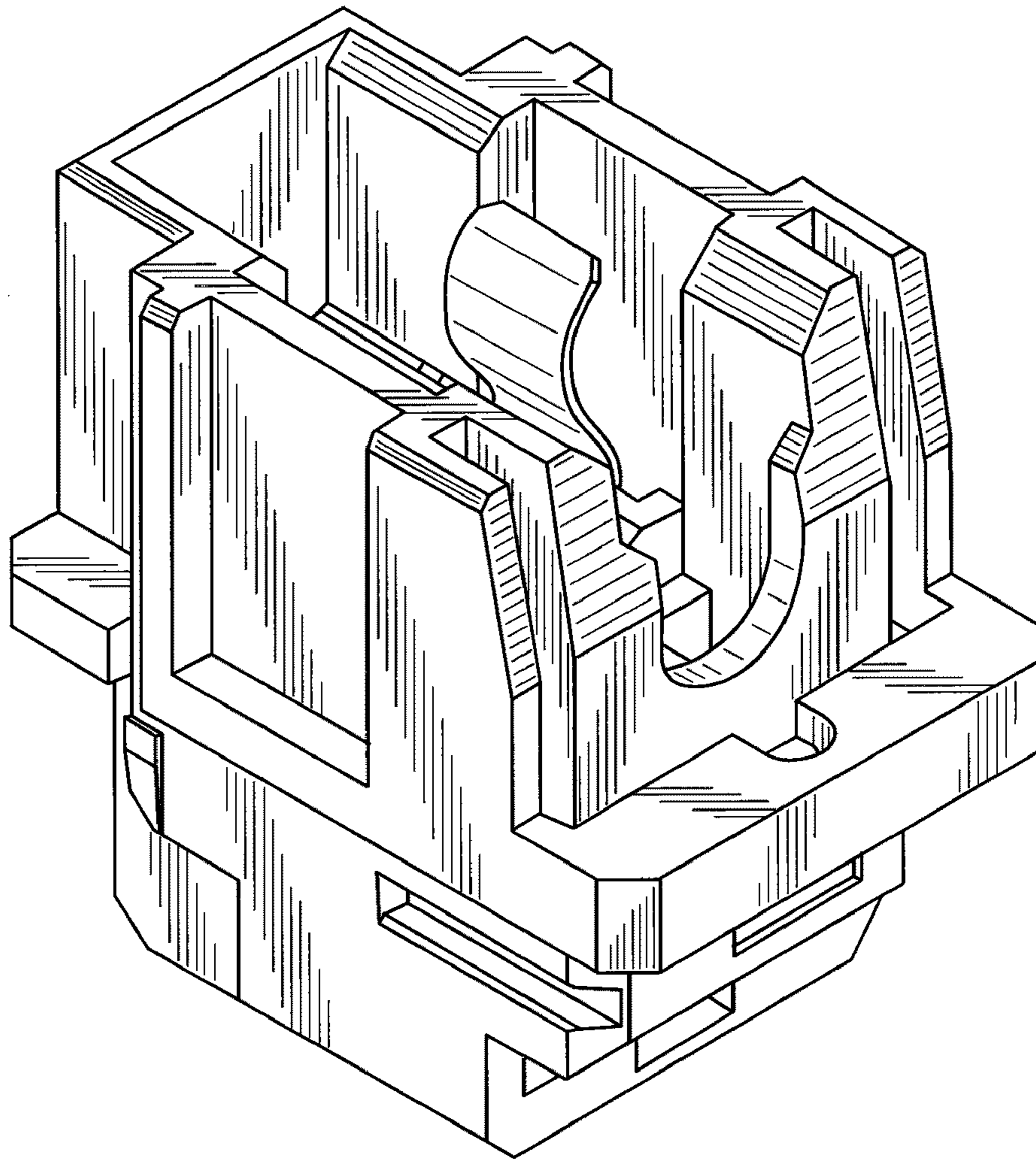
**DESCRIPTION**

FIG. 1 is a front, top and right side perspective view of an electrical connector showing our new design;  
FIG. 2 is a front, top and left side perspective view thereof;  
FIG. 3 is a front view thereof;  
FIG. 4 is a rear view thereof;  
FIG. 5 is a top view thereof;  
FIG. 6 is a bottom view thereof;  
FIG. 7 is a left side view thereof;  
FIG. 8 is a right side view thereof; and,  
FIG. 9 is a sectional view thereof, taken along line "9-9" in FIG. 8.

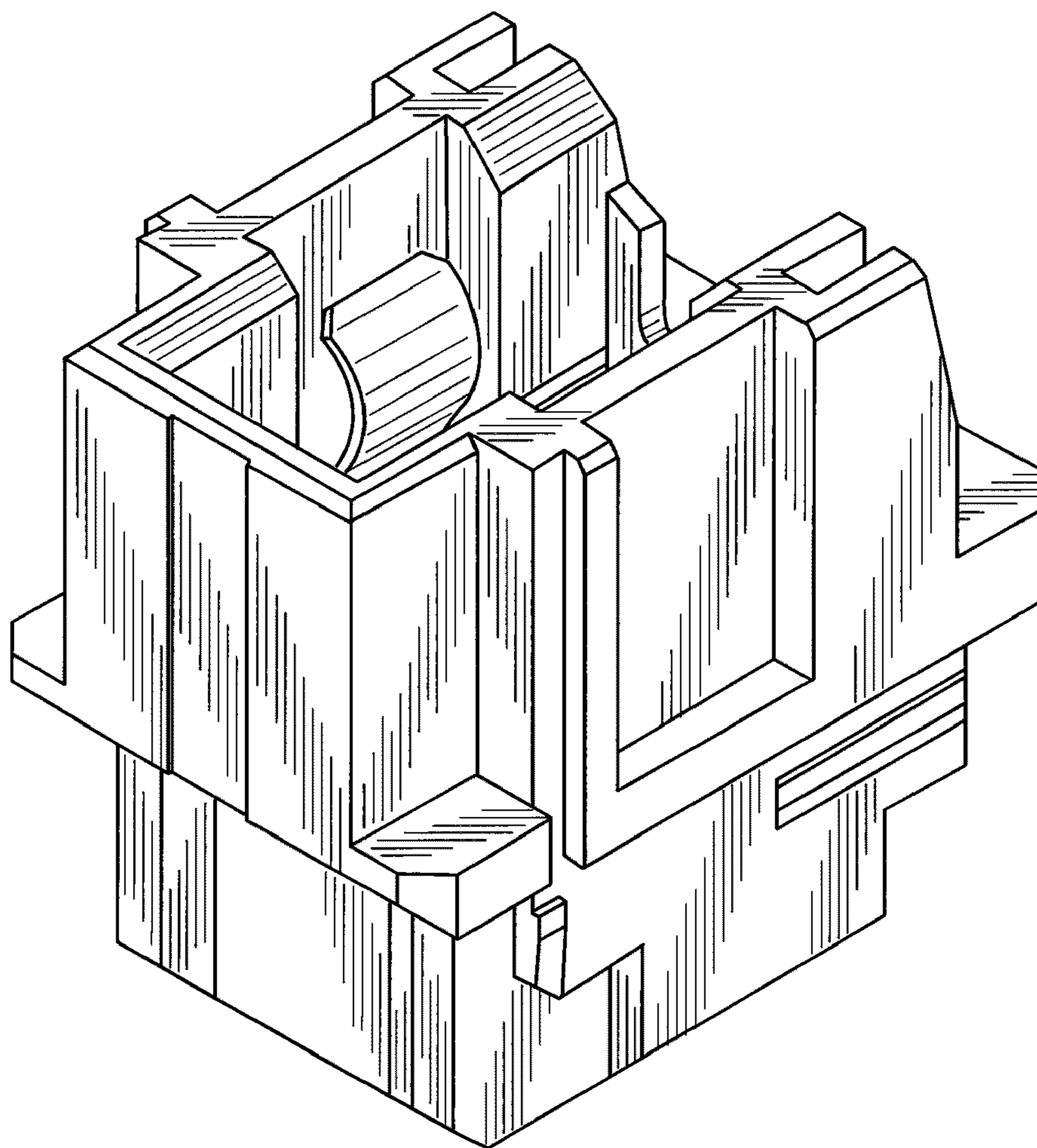
**1 Claim, 9 Drawing Sheets**



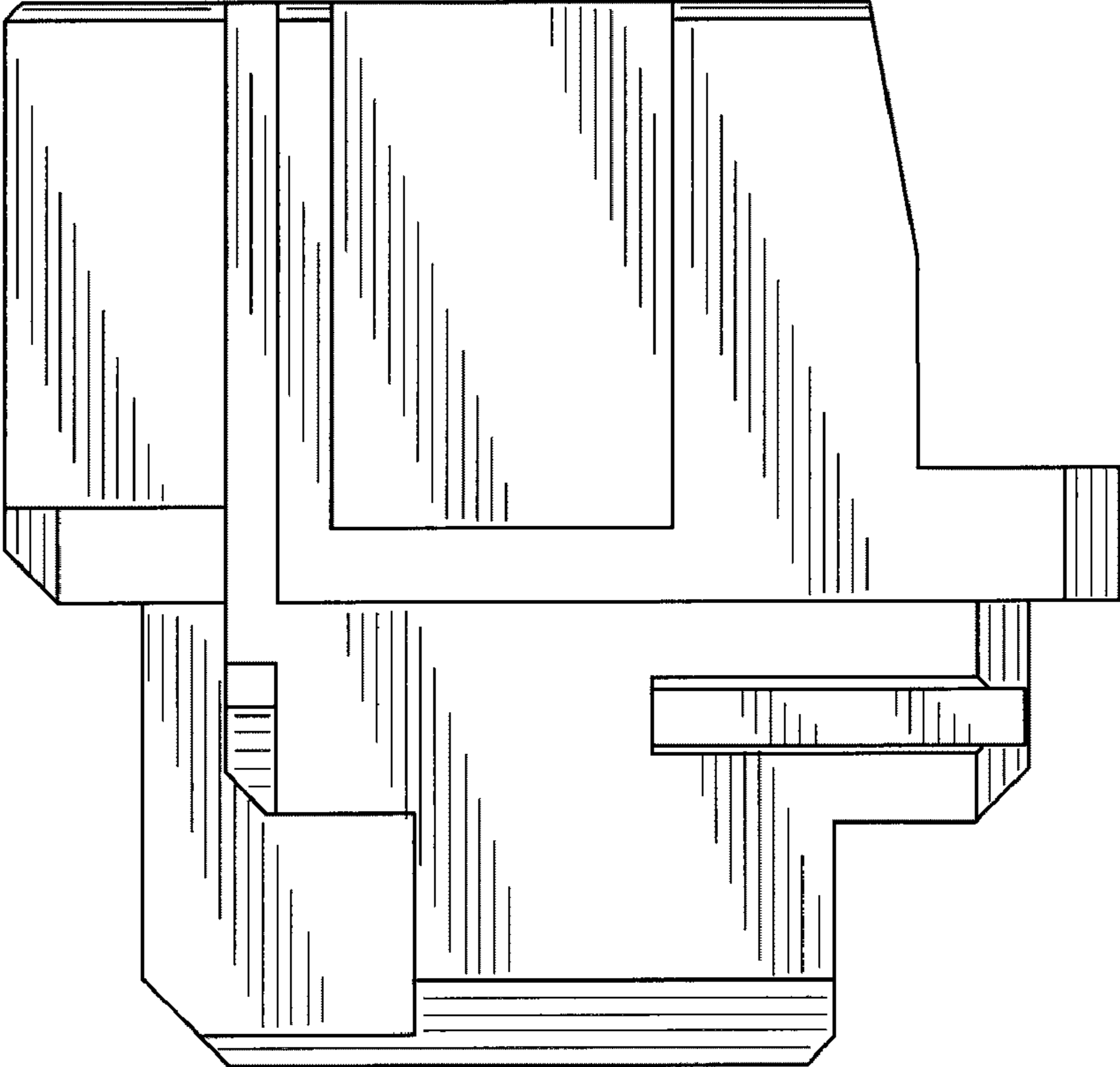
***FIG. 1***



**FIG. 2**

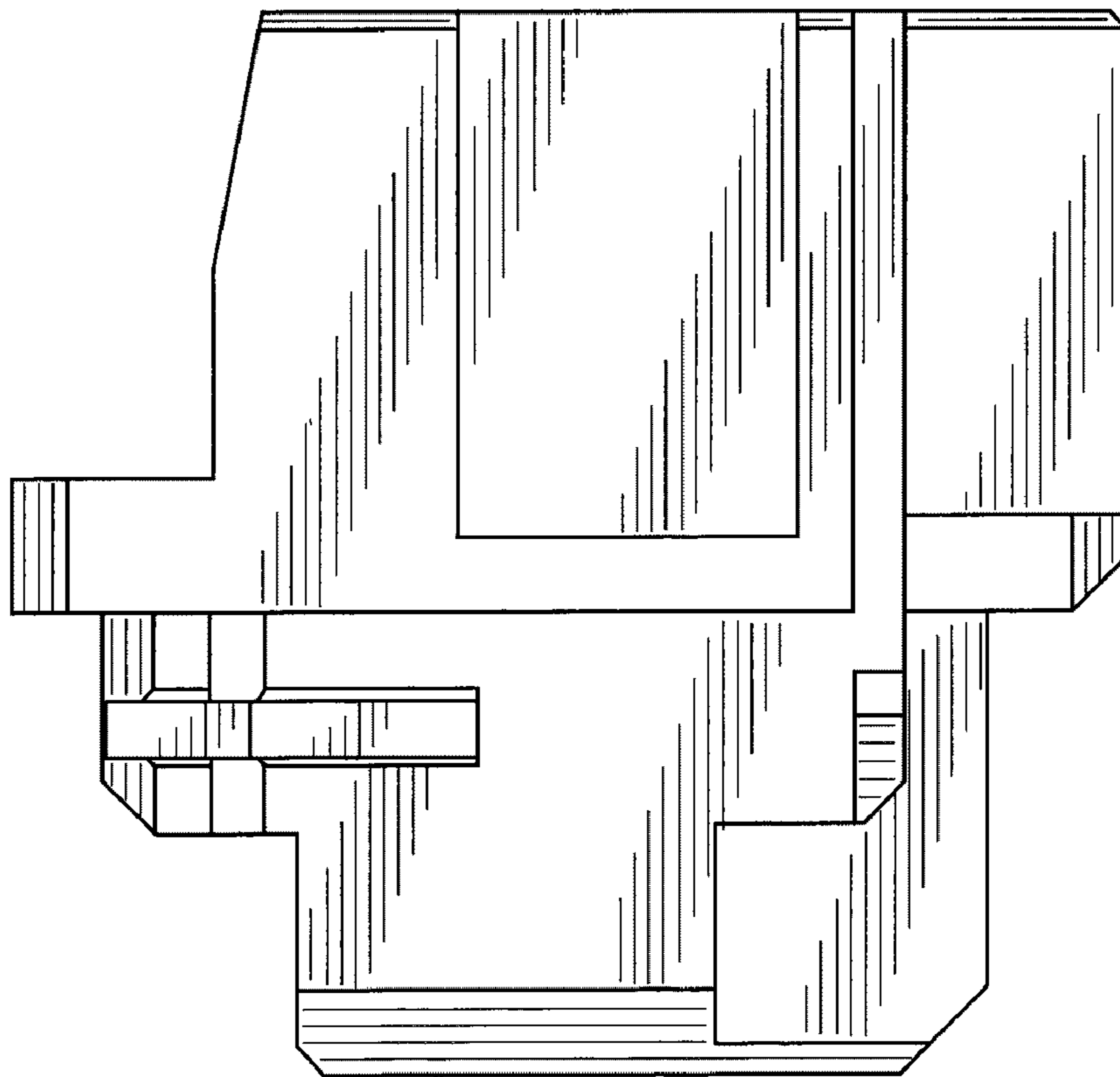


**FIG. 3**

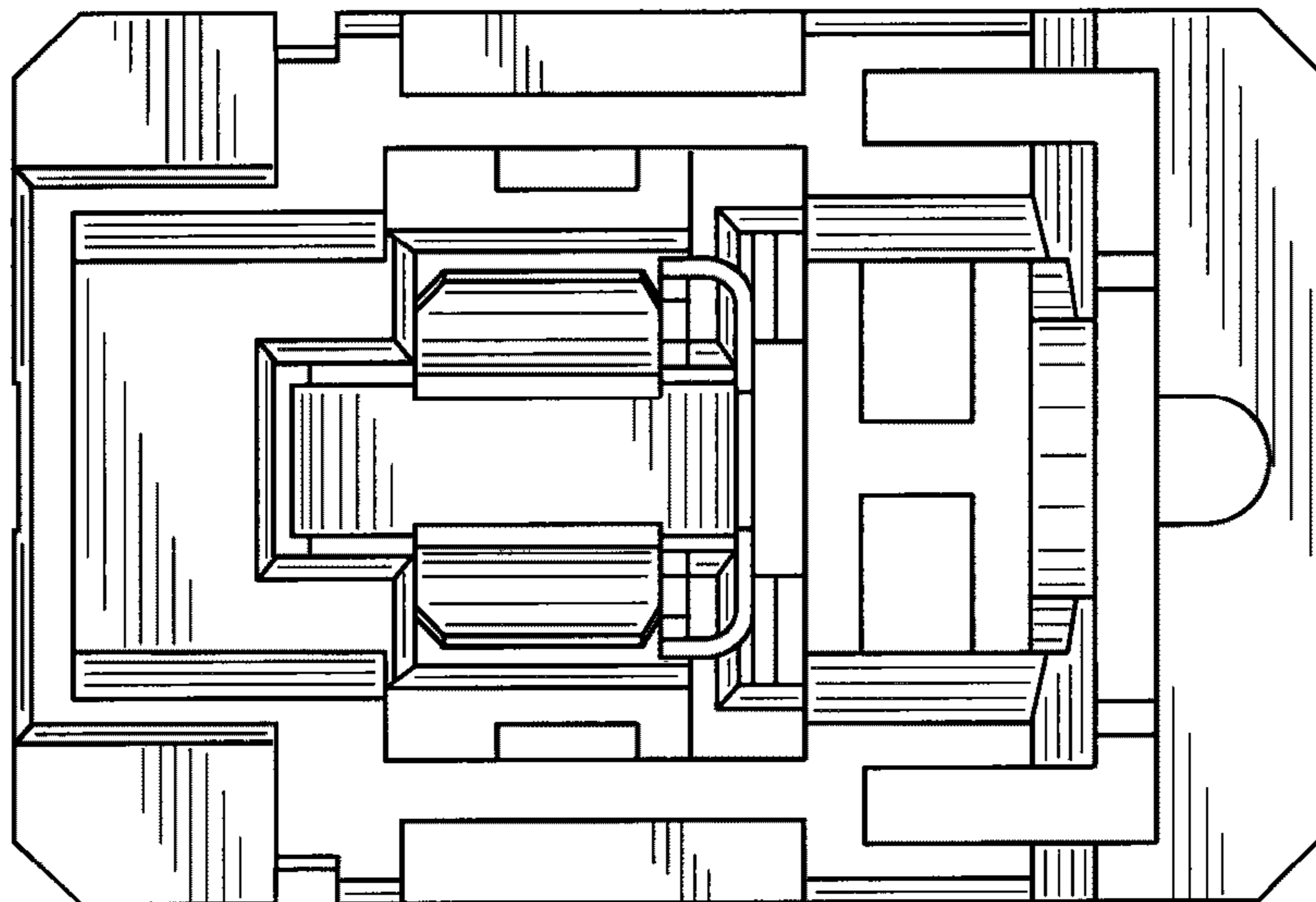




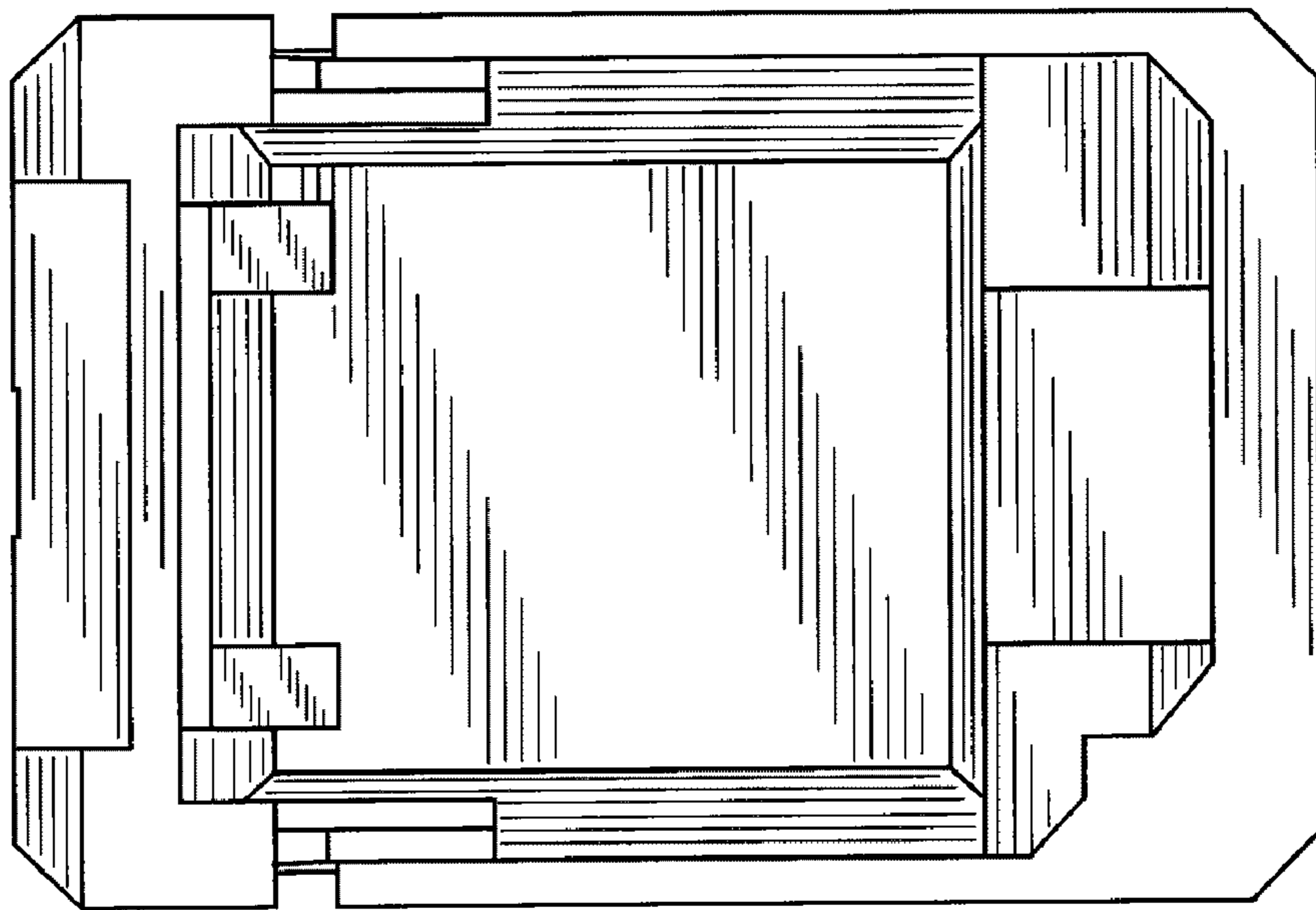
**FIG. 4**



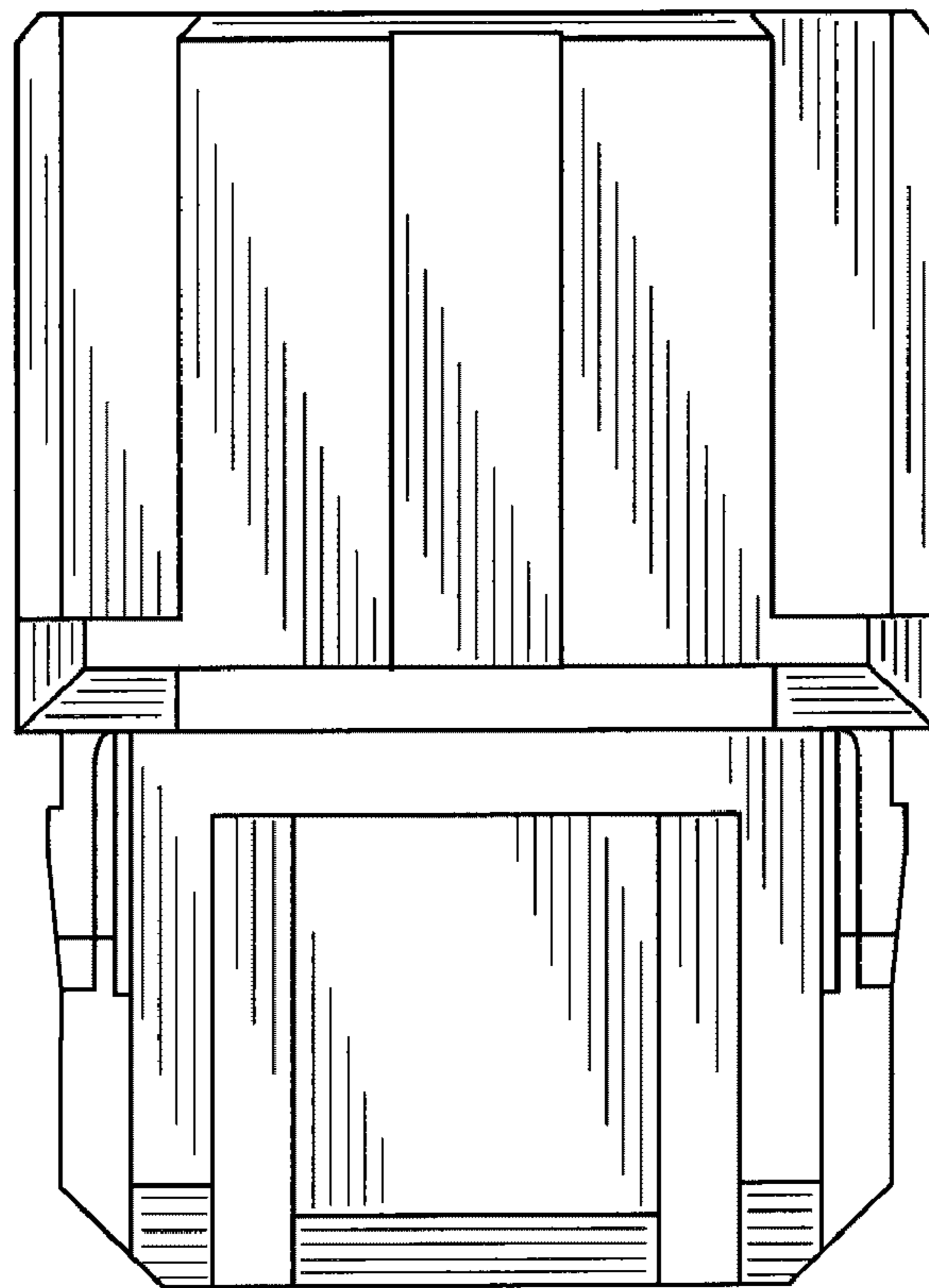
*FIG. 5*



***FIG. 6***

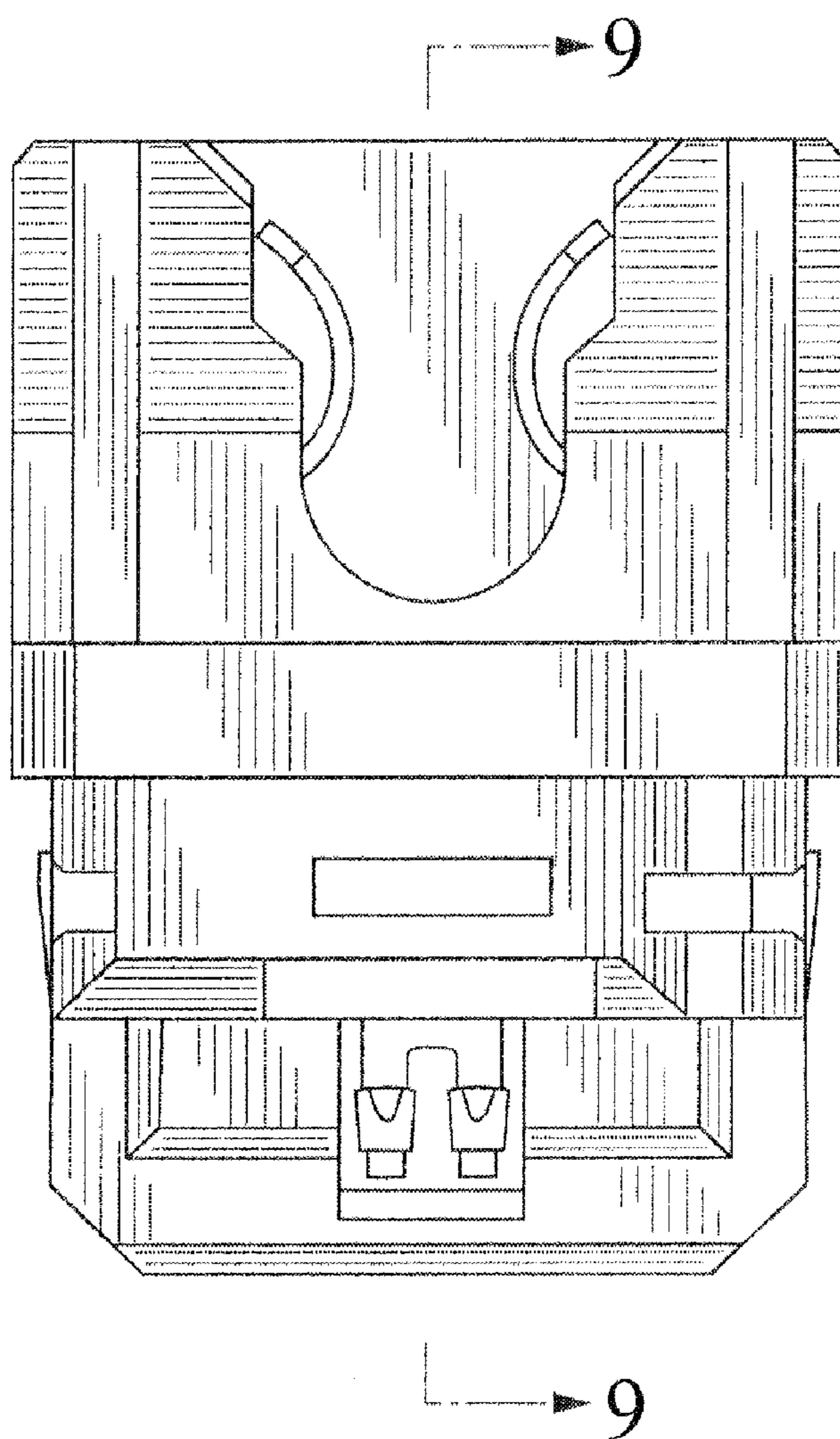


**FIG. 7**





**FIG. 8**



**FIG. 9**

