



US00D649507S

(12) **United States Design Patent**
Loynds

(10) **Patent No.:** **US D649,507 S**

(45) **Date of Patent:** **** Nov. 29, 2011**

(54) **MOTORCYCLE RACK**

(76) Inventor: **Ronald Loynds**, South Gate, CA (US)

(**) Term: **14 Years**

(21) Appl. No.: **29/357,326**

(22) Filed: **Mar. 10, 2010**

(51) **LOC (9) Cl.** **12-11**

(52) **U.S. Cl.** **D12/407**

(58) **Field of Classification Search** D12/407,
D12/408, 110, 412, 414.1, 416; 224/42.11,
224/412, 413, 427, 924; 280/288.4; 180/219,
180/220

See application file for complete search history.

(56) **References Cited**

U.S. PATENT DOCUMENTS

D208,895 S	*	10/1967	Lahti	D12/407
D230,965 S	*	3/1974	Heltzen	D12/407
D276,331 S	*	11/1984	Heiman et al.	D12/407
D374,422 S	*	10/1996	Gogan et al.	D12/407
D385,846 S	*	11/1997	Gogan et al.	D12/407
D386,468 S	*	11/1997	Gogan et al.	D12/407
D388,394 S	*	12/1997	Gogan et al.	D12/407
D392,247 S	*	3/1998	Gogan et al.	D12/407
D395,420 S	*	6/1998	Gogan et al.	D12/407
D405,412 S	*	2/1999	Gogan et al.	D12/407
D427,963 S	*	7/2000	Gogan et al.	D12/407

OTHER PUBLICATIONS

J & P Cycles 2009 Metric Cruiser Catalog, Luggage Racks on pp. 322 and 323.*

J & P Cycles® 2007 Metric Cruiser Catalog, Luggage Racks on p. 383.*

J & P Cycles 2009 Parts & Accessories for your Harley-Davidson® Motorcycle, Luggage Racks on pp. 978 and 979.*

* cited by examiner

Primary Examiner — Susan M Lee

Assistant Examiner — Linda G. Brooks

(74) *Attorney, Agent, or Firm* — Kenneth L. Green

(57) **CLAIM**

The ornamental design for a motorcycle rack, as shown and described.

DESCRIPTION

FIG. 1 is a perspective view showing the front, left side and top of the motorcycle rack showing my new design.

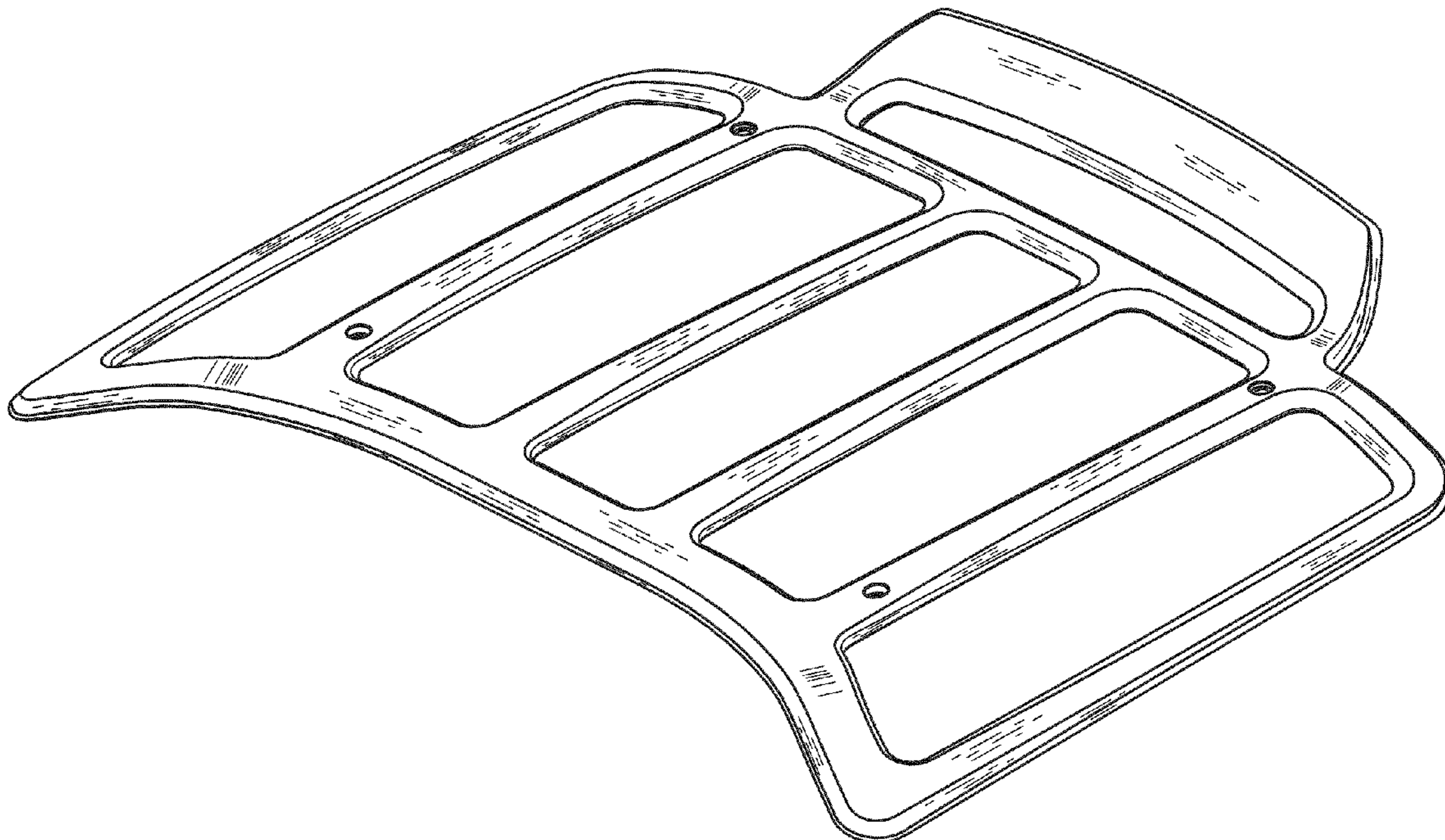
FIG. 2 is a top plan view of the motorcycle rack of FIG. 1.

FIG. 3 is a front elevation view of the motorcycle rack of FIG. 1.

FIG. 4 is a side elevation view of the motorcycle rack of FIG. 1; and,

FIG. 5 is a rear elevation view of the motorcycle rack of FIG. 1.

1 Claim, 2 Drawing Sheets



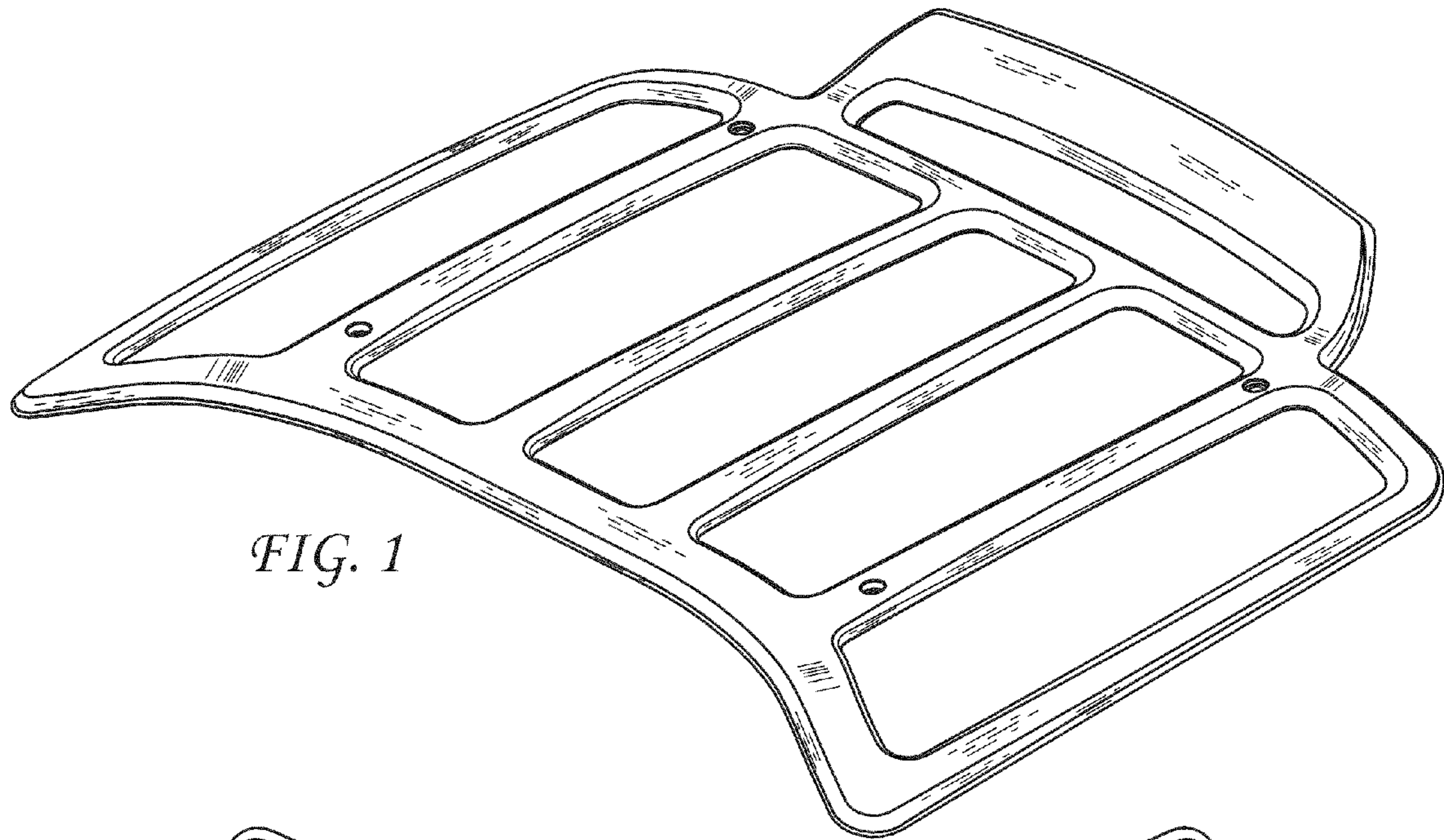


FIG. 1

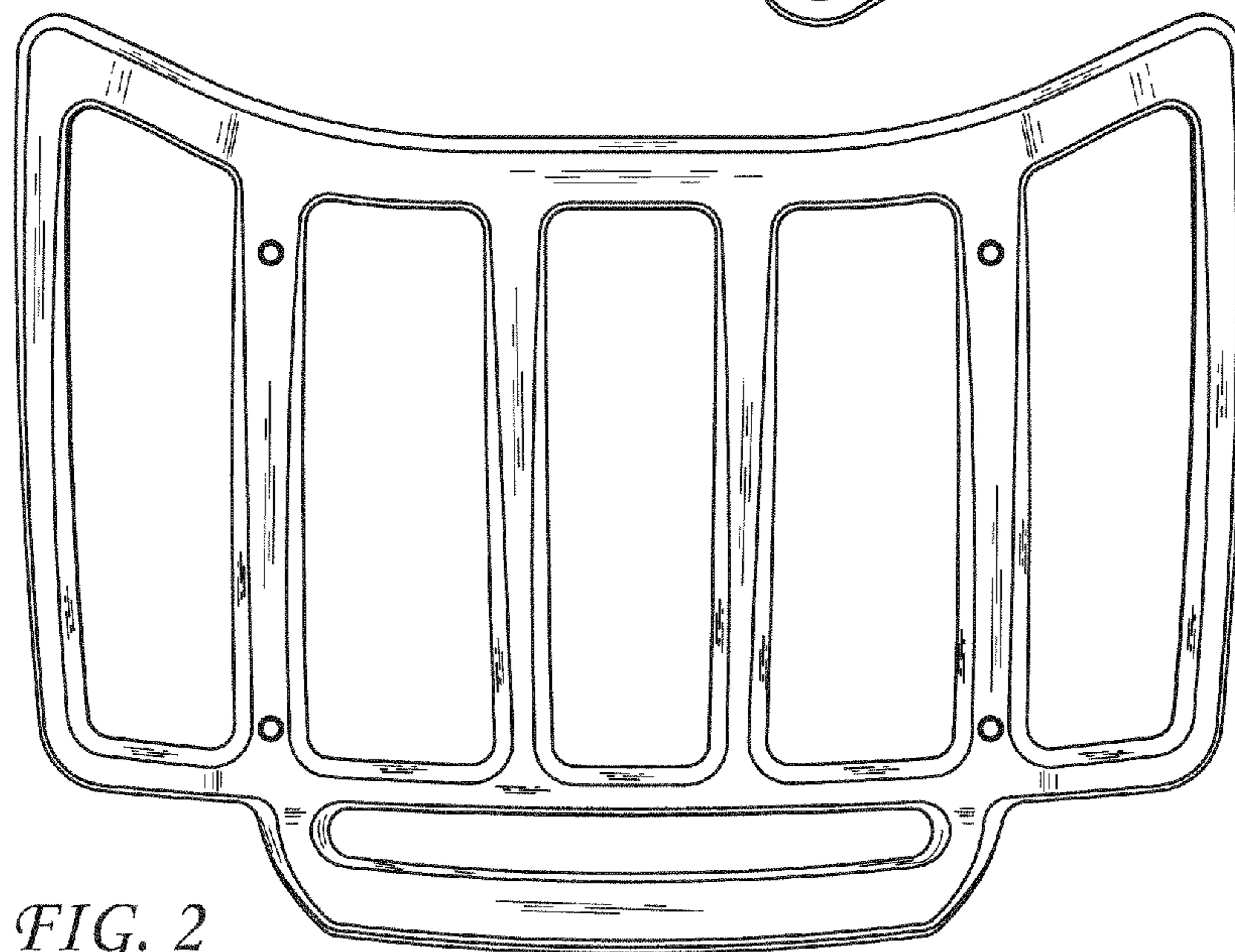


FIG. 2

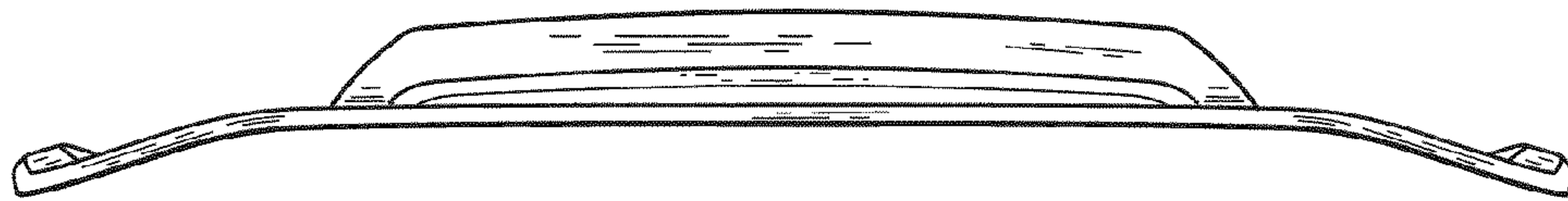


FIG. 3

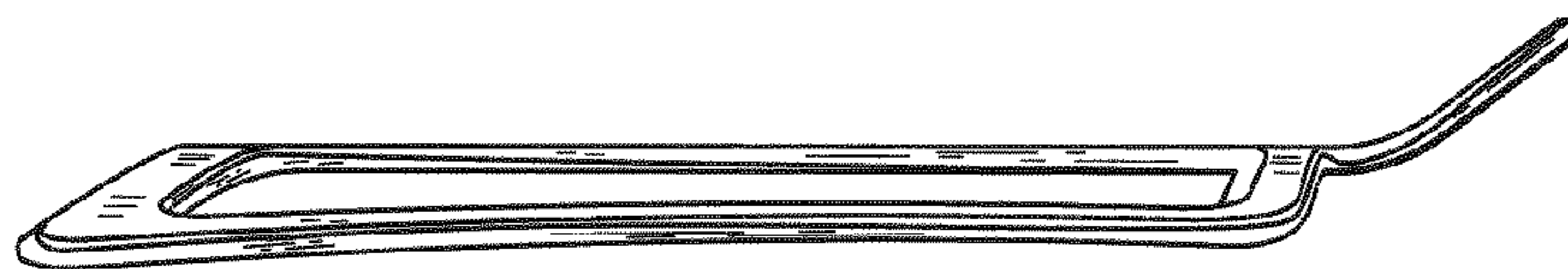


FIG. 4



FIG. 5