



US00D649506S

(12) **United States Design Patent**
Morelli

(10) **Patent No.:** **US D649,506 S**

(45) **Date of Patent:** **** Nov. 29, 2011**

(54) **AIRPLANE**

(76) Inventor: **Luca Morelli**, Gubbio (IT)

(**) Term: **14 Years**

(21) Appl. No.: **29/373,397**

(22) Filed: **Apr. 4, 2011**

(51) **LOC (9) Cl.** **12-07**

(52) **U.S. Cl.** **D12/319**

(58) **Field of Classification Search** D12/319-345;
D21/446; 446/30, 56; 244/13, 15, 45 R,
244/45 A, 211-213

See application file for complete search history.

(56) **References Cited**

U.S. PATENT DOCUMENTS

- D308,663 S * 6/1990 Carlson et al. D12/337
- D317,432 S * 6/1991 Cummings D12/337
- D325,557 S * 4/1992 Cummings et al. D12/337

- D515,012 S * 2/2006 Eatkins et al. D12/319
- D515,013 S * 2/2006 Eatkins et al. D12/319
- D620,737 S * 8/2010 Nakaoka et al. D6/574

* cited by examiner

Primary Examiner — Cathron C. Brooks

Assistant Examiner — Maurice Stevens

(74) *Attorney, Agent, or Firm* — Hodes, Pessin & Katz, P.A.

(57) **CLAIM**

We claim the ornamental design for an airplane, as shown.

DESCRIPTION

FIG. 1 is a perspective view of an airplane showing our new design.

FIG. 2 is a top plan elevational view thereof.

FIG. 3 is a bottom plan elevational view thereof.

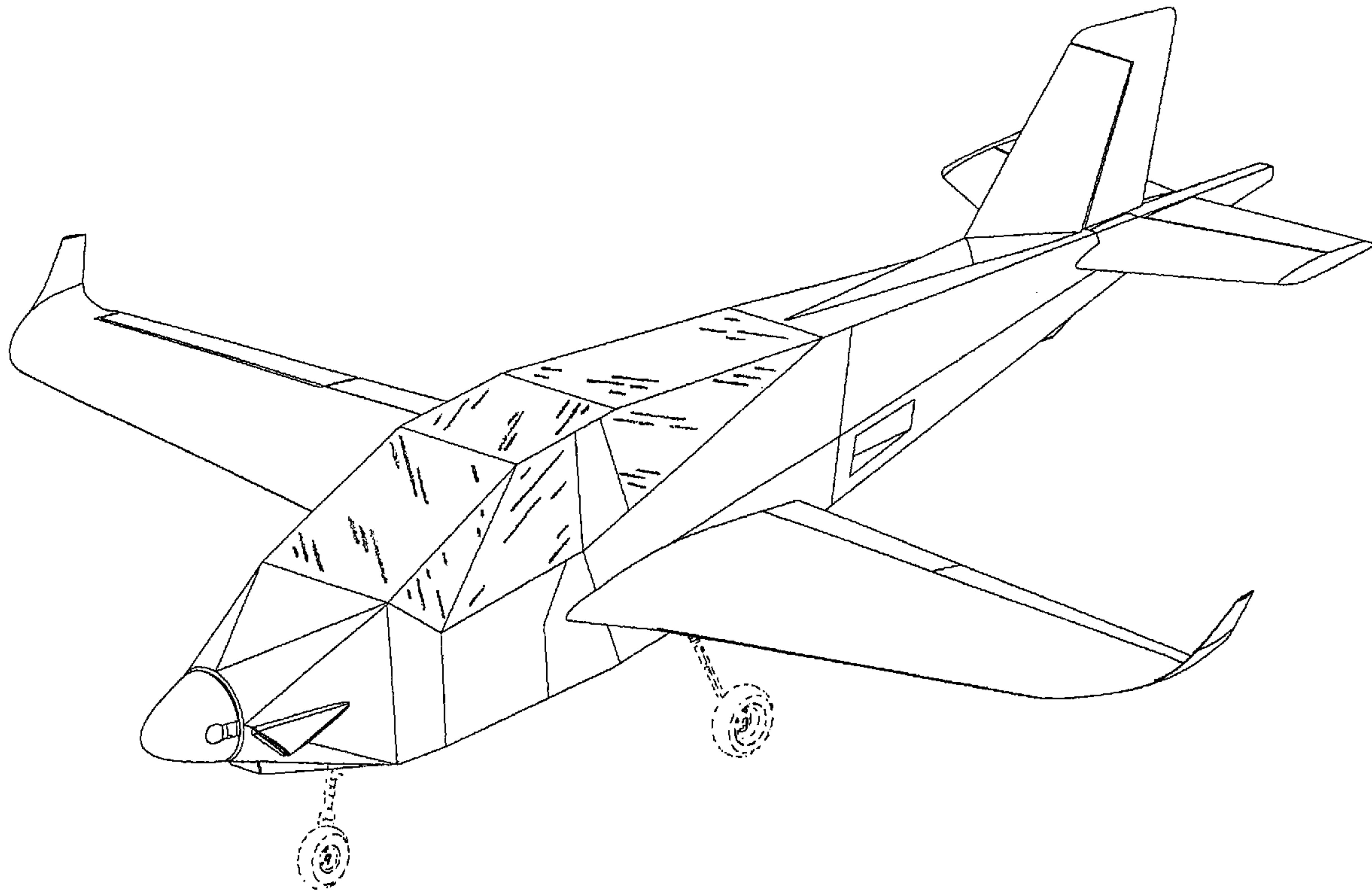
FIG. 4 is a front elevational view thereof.

FIG. 5 is a rear elevational view thereof

FIG. 6 is a right side elevational view thereof; and,

FIG. 7 is a left side elevational view thereof.

1 Claim, 7 Drawing Sheets



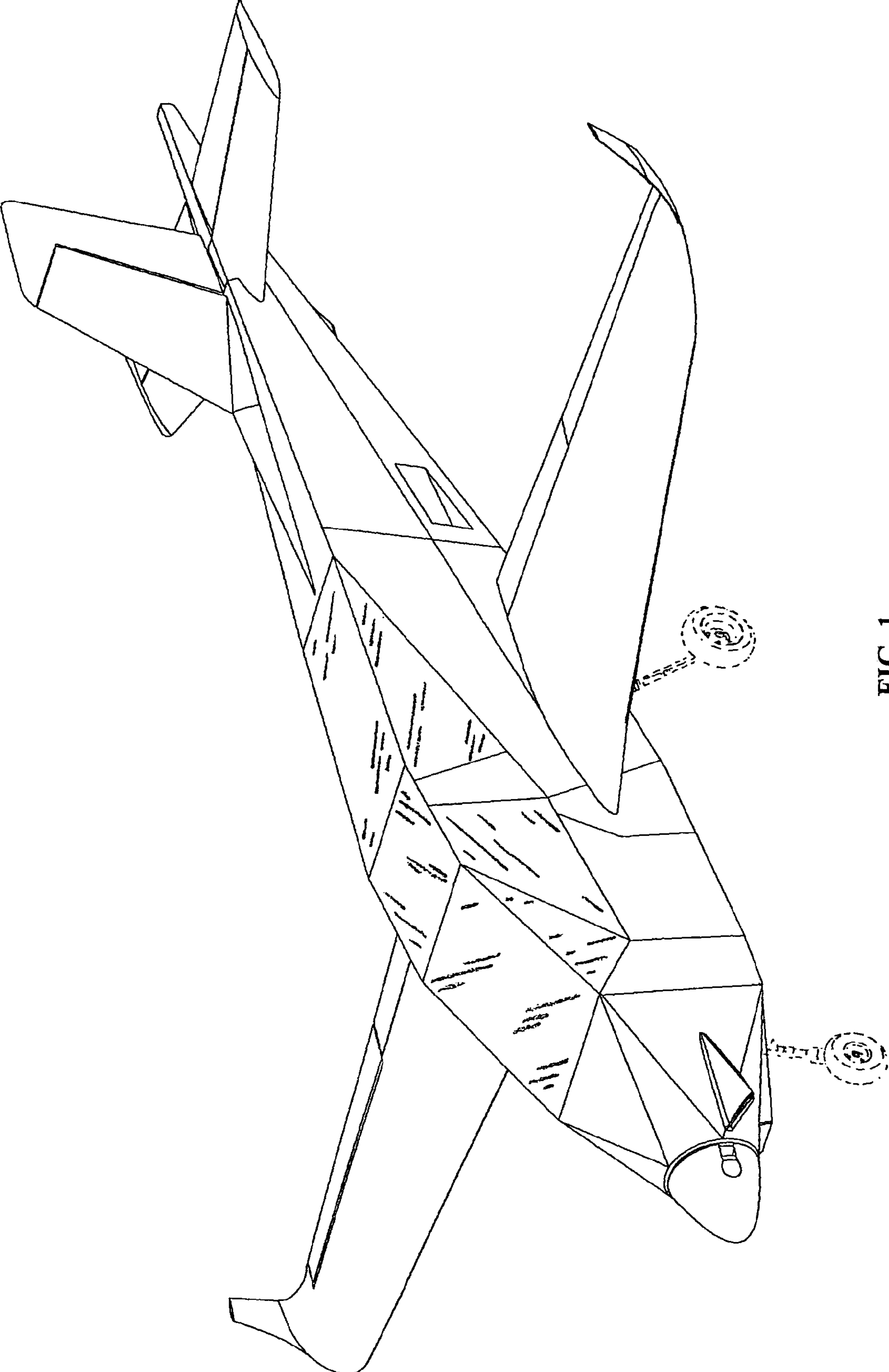


FIG. 1

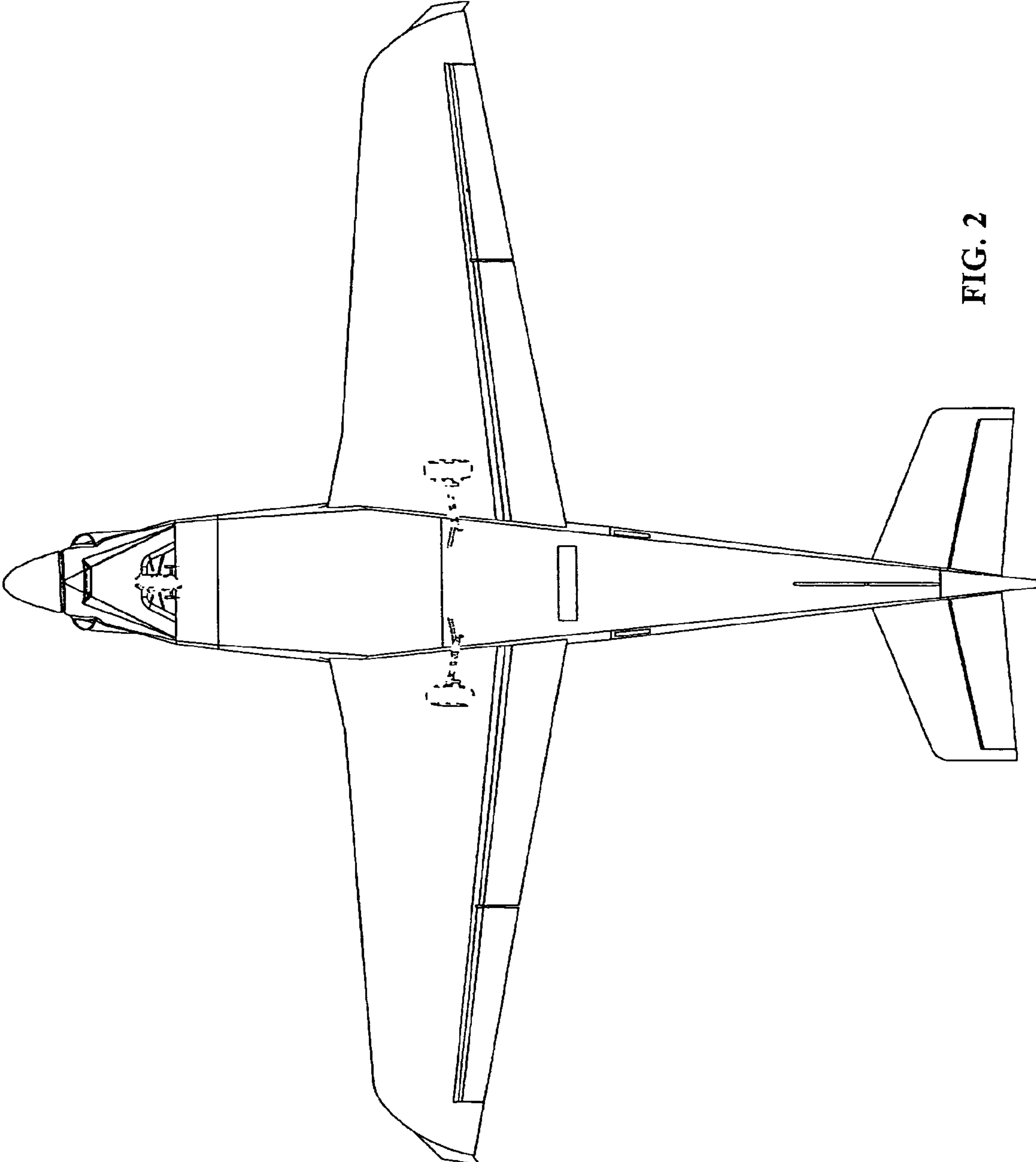


FIG. 2

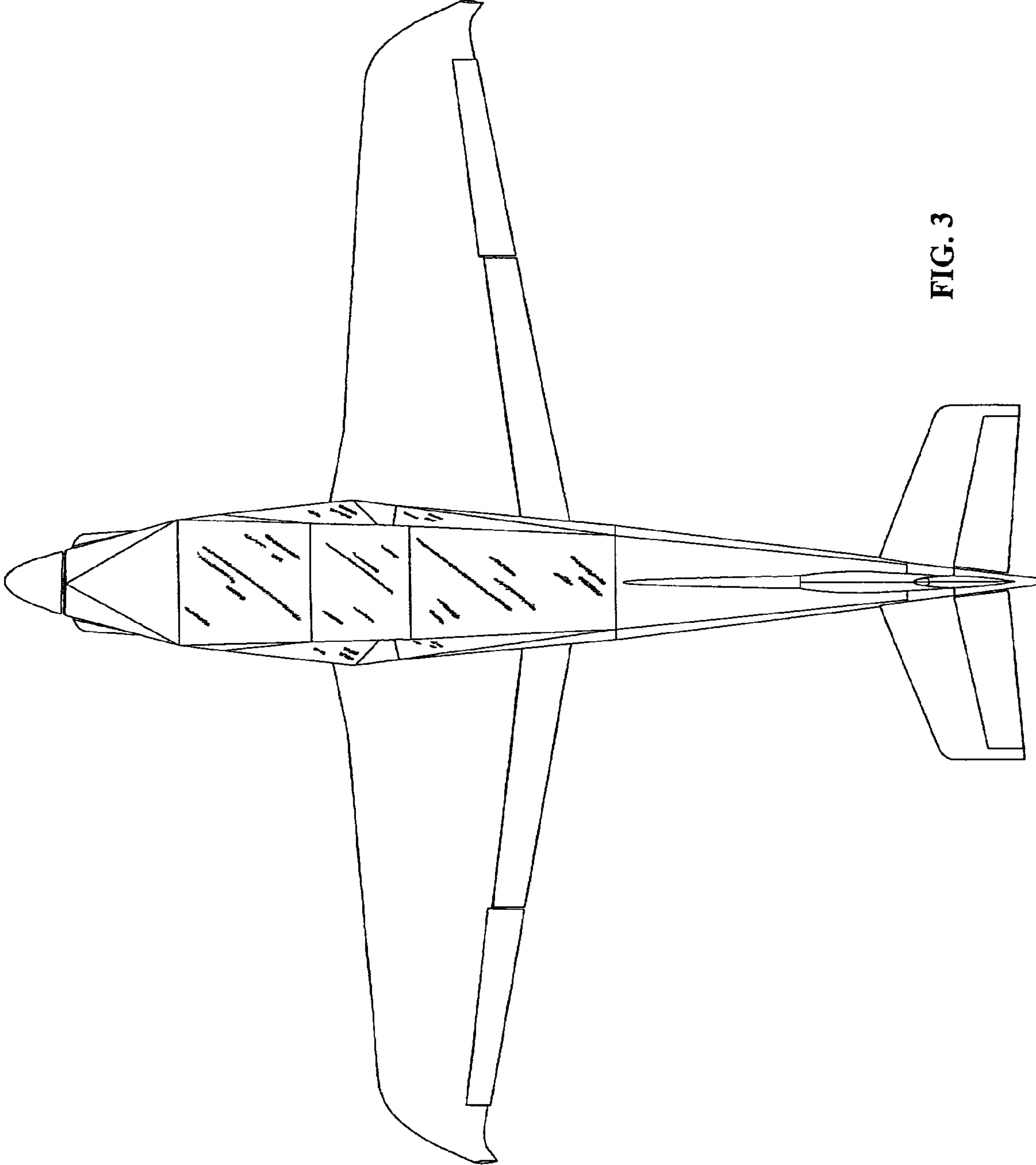


FIG. 3

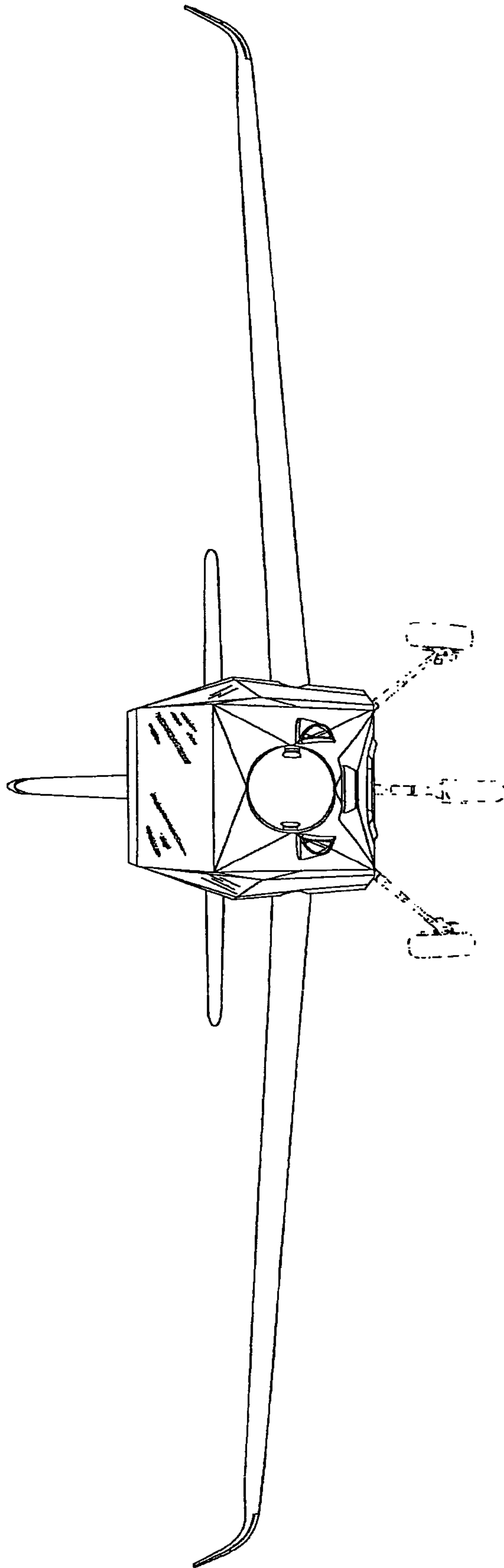


FIG. 4

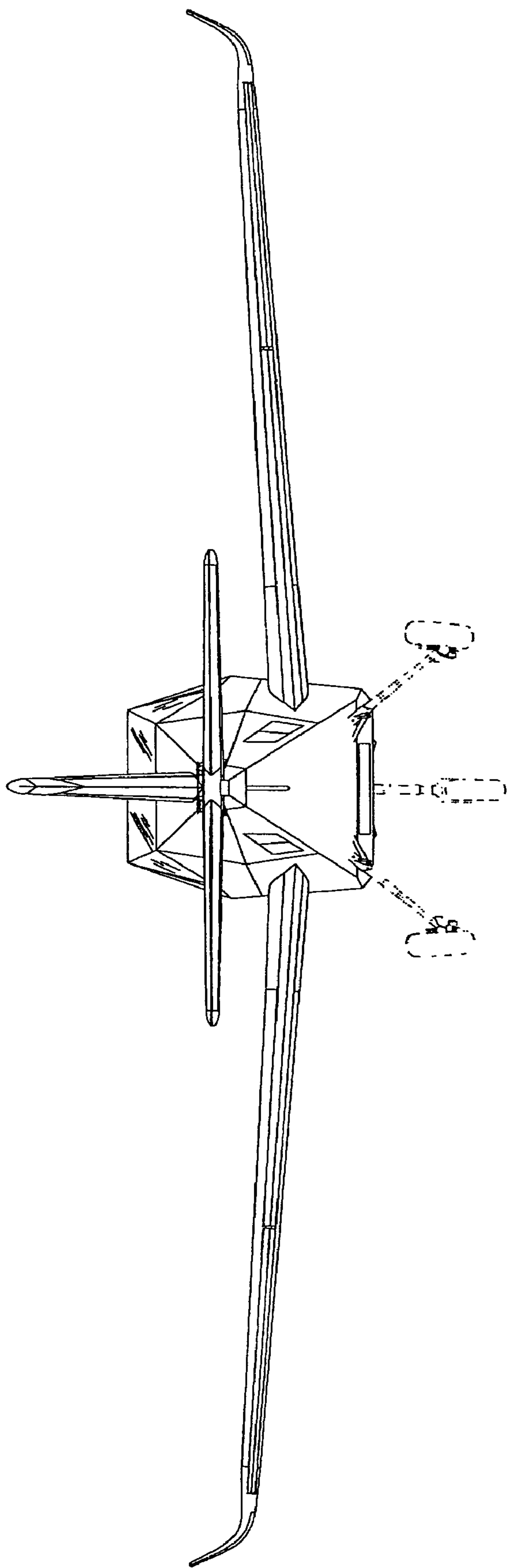


FIG. 5

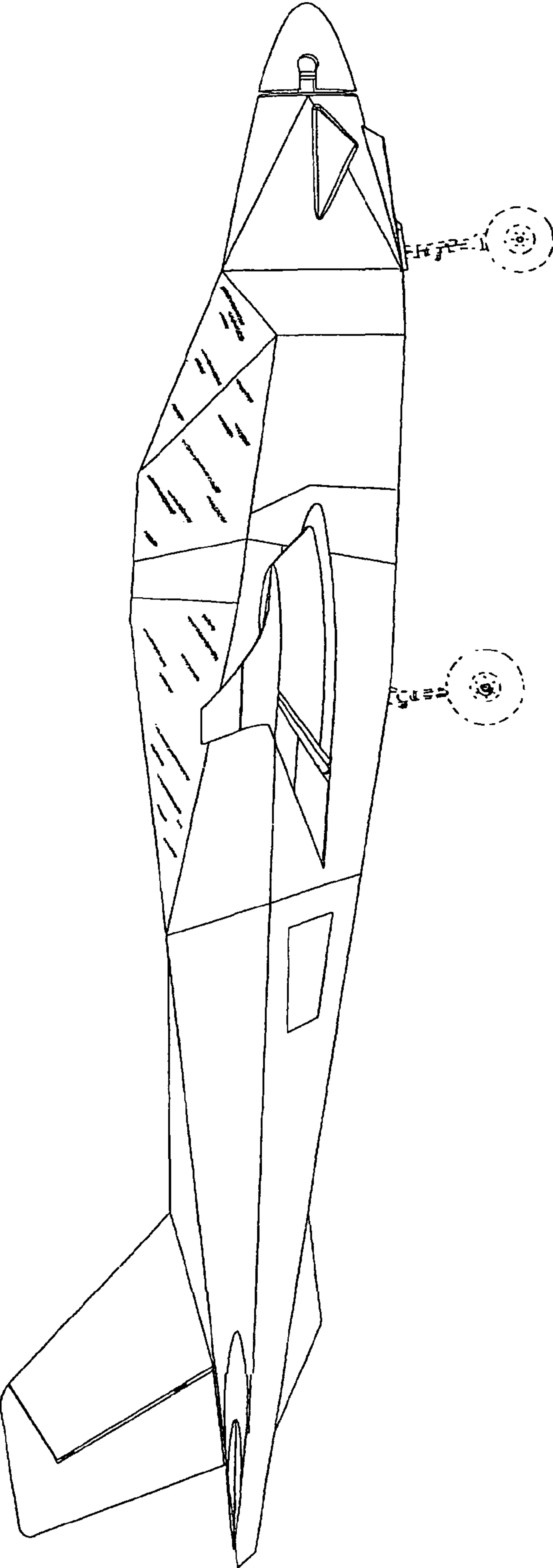


FIG. 6

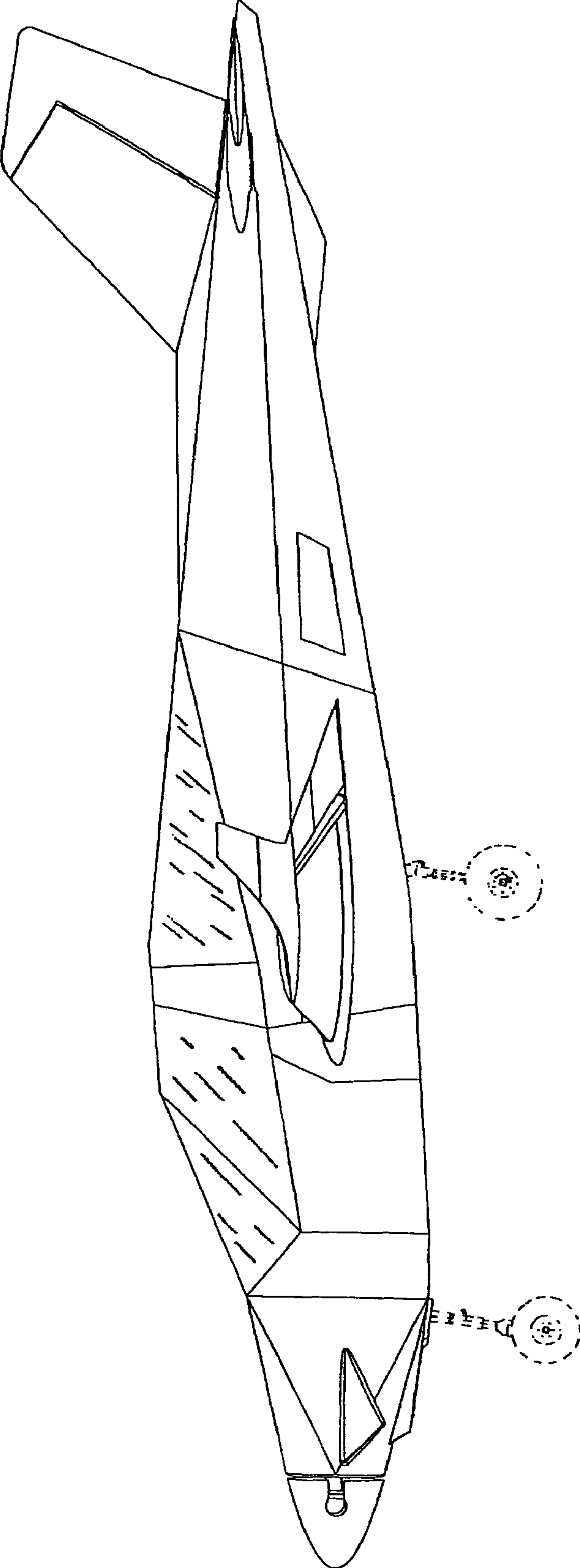


FIG. 7