



US00D649505S

(12) **United States Design Patent**
O'Dell

(10) **Patent No.:** **US D649,505 S**

(45) **Date of Patent:** **** Nov. 29, 2011**

(54) **ADUSTABLE BOAT TOWER CANOPY**

(76) Inventor: **James O'Dell**, Seven Hills (AU)

(**) Term: **14 Years**

(21) Appl. No.: **29/384,526**

(22) Filed: **Jan. 31, 2011**

(51) **LOC (9) Cl.** **12-06**

(52) **U.S. Cl.** **D12/317**

(58) **Field of Classification Search** D12/300-318;
D21/837; D25/56; D3/5; 114/343, 354,
114/361; 135/88.1, 90, 143

See application file for complete search history.

(56) **References Cited**

U.S. PATENT DOCUMENTS

5,000,210	A *	3/1991	Worthington, Jr.	135/90
5,044,298	A *	9/1991	Pepper et al.	114/361
5,092,262	A *	3/1992	Lacy	114/361
D355,883	S *	2/1995	Simpkins	D12/317
D355,885	S *	2/1995	Dells	D12/317
D392,243	S *	3/1998	Anderson	D12/317
D395,866	S *	7/1998	Fowler et al.	D12/317
D407,683	S *	4/1999	Linssen	D12/317
D454,108	S *	3/2002	Brown	D12/317
D461,158	S *	8/2002	Tomatsu	D12/317
6,691,637	B1 *	2/2004	Smith et al.	114/361

6,945,188	B2 *	9/2005	Eck et al.	114/361
D606,481	S *	12/2009	Stepp	D12/317
2008/0011217	A1 *	1/2008	Russikoff	114/361

* cited by examiner

Primary Examiner — Cynthia M Chin

(74) *Attorney, Agent, or Firm* — QuickPatents, Inc.; Kevin Prince

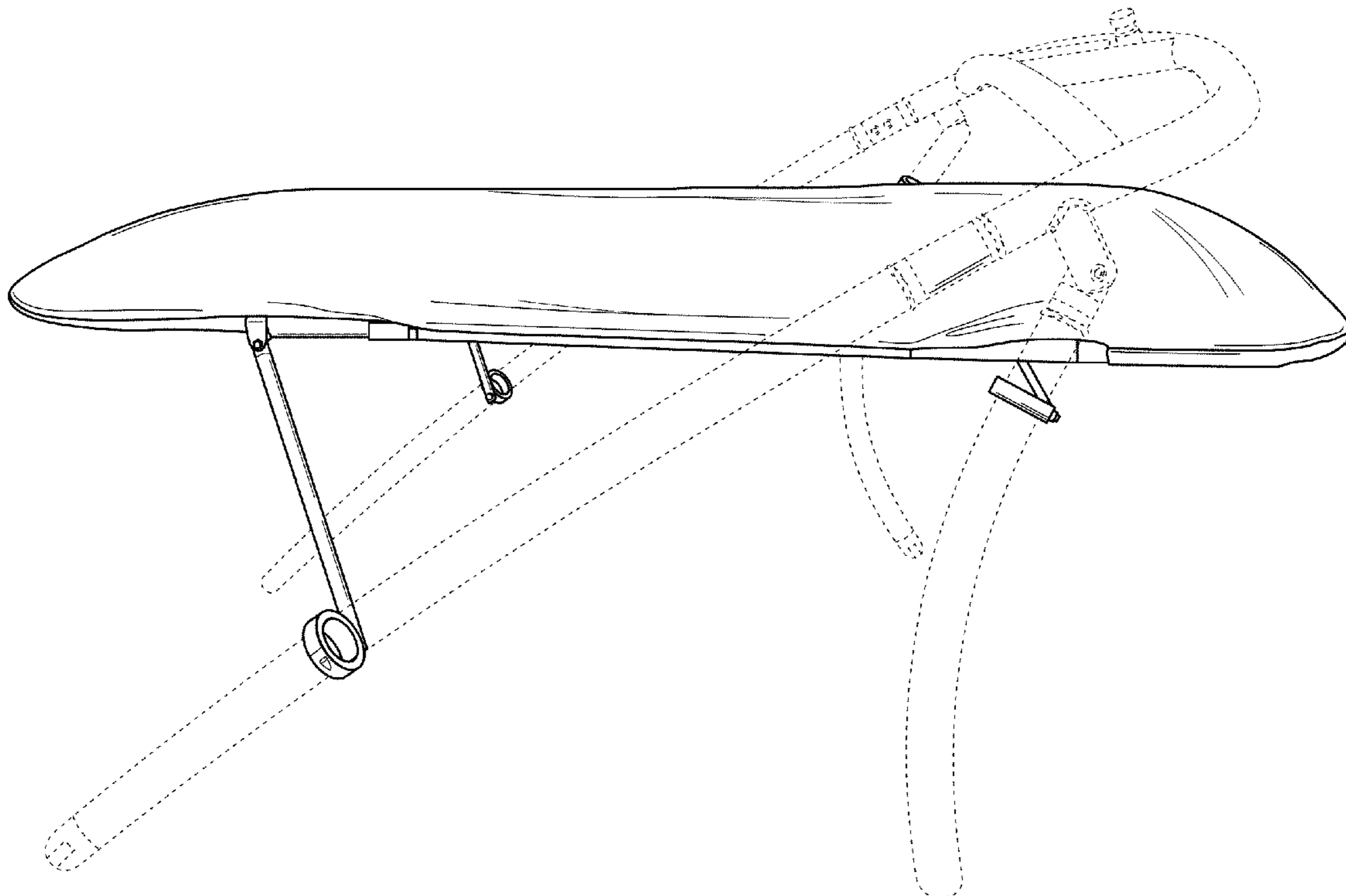
(57) **CLAIM**

I claim the ornamental design for a adjustable boat tower canopy, as shown and described.

DESCRIPTION

FIG. 1 is a perspective view of a adjustable boat tower canopy, showing the new design having adjustable legs and a canopy; FIG. 2 is a front elevational view thereof; FIG. 3 is a rear elevational view thereof; FIG. 4 is a left-side elevational view thereof, the right-side elevational view being a mirror image thereof; FIG. 5 is a top plan view thereof; FIG. 6 is a bottom plan view thereof; and, FIG. 7 is an alternate perspective view thereof, illustrated in a raised position above a ski boat tower. The broken lines showing a ski boat tower in the figures represent environmental matter with the design in use, and form no part of the claimed design.

1 Claim, 7 Drawing Sheets



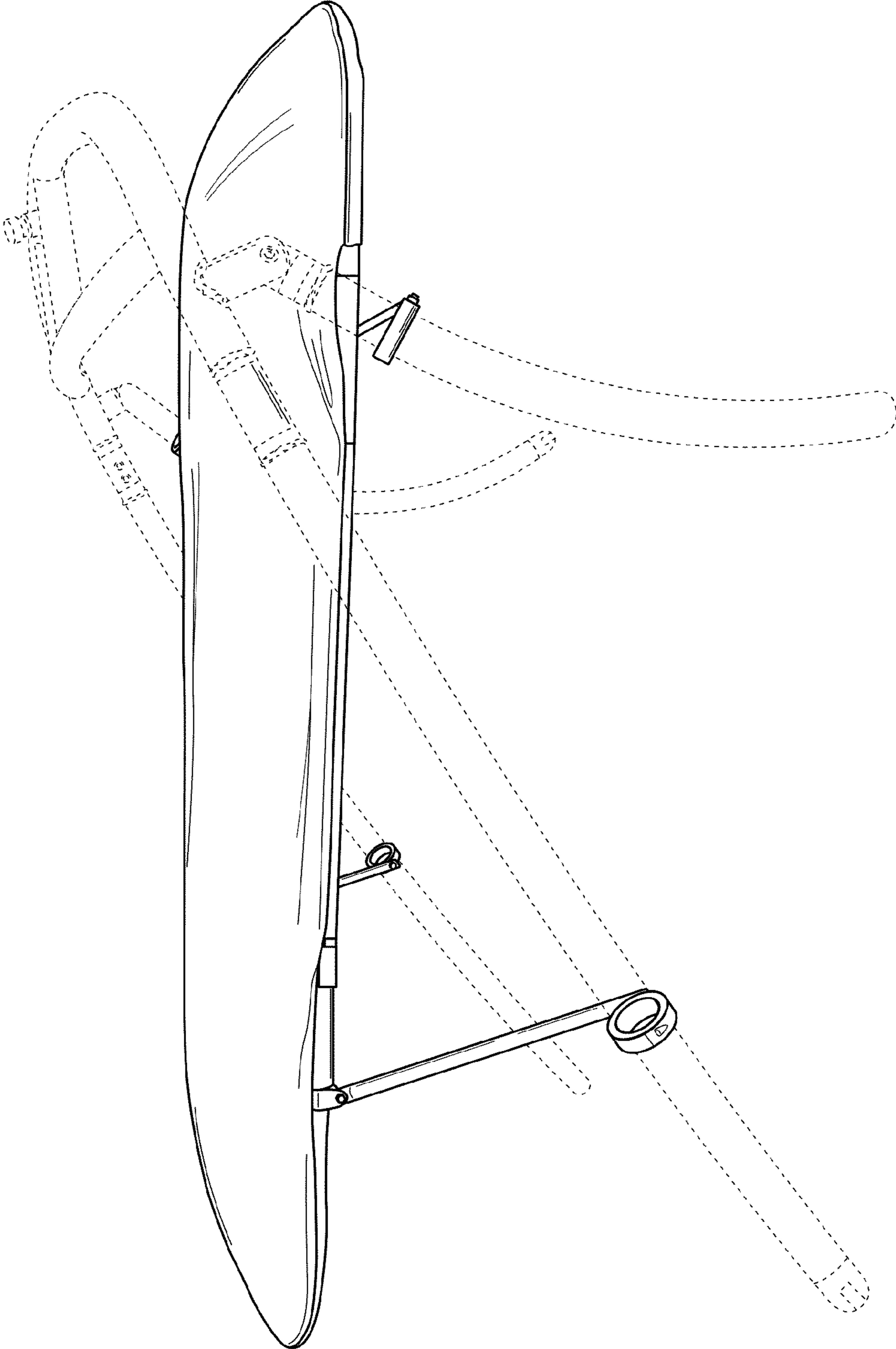


FIG. 1

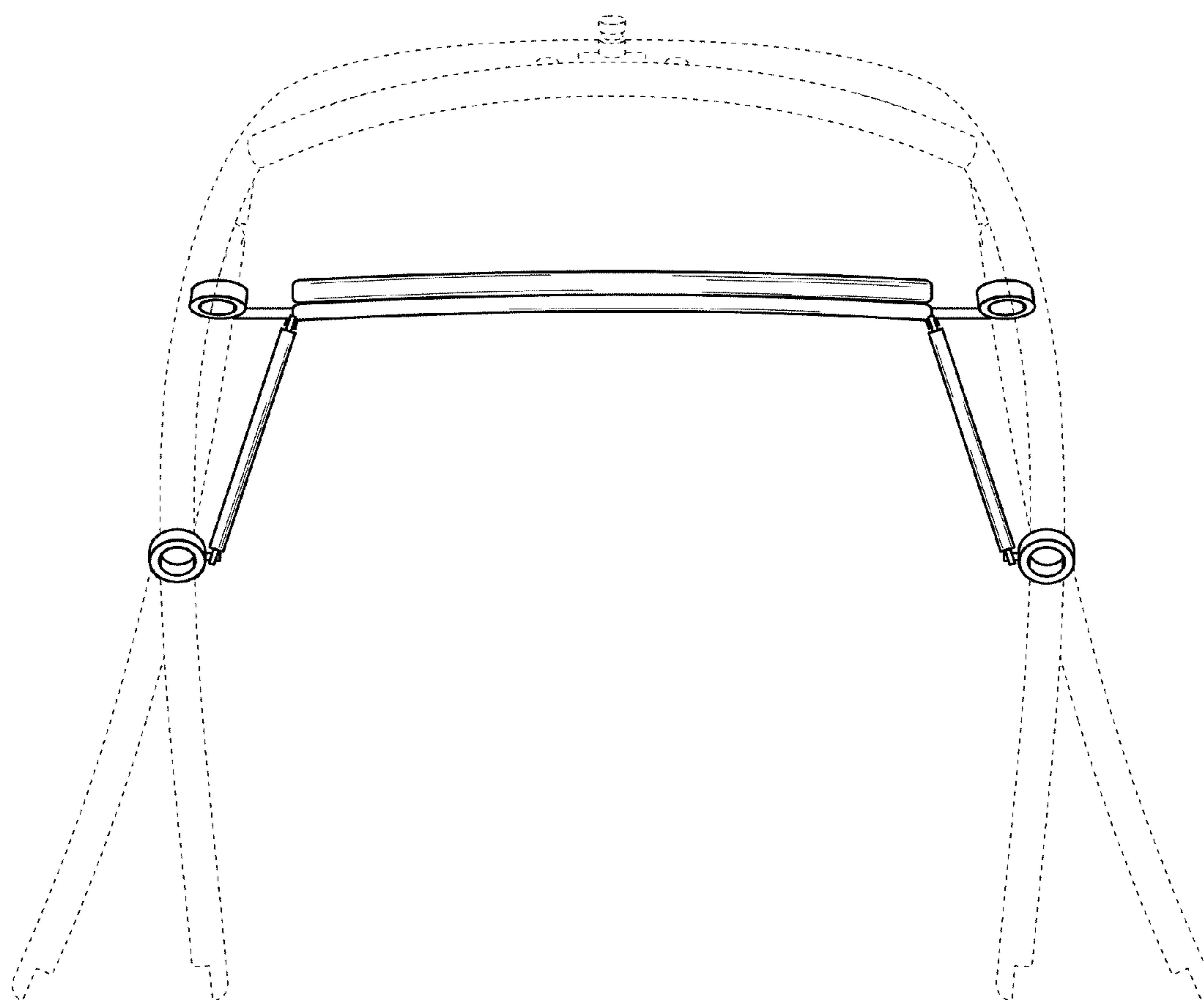


FIG. 2

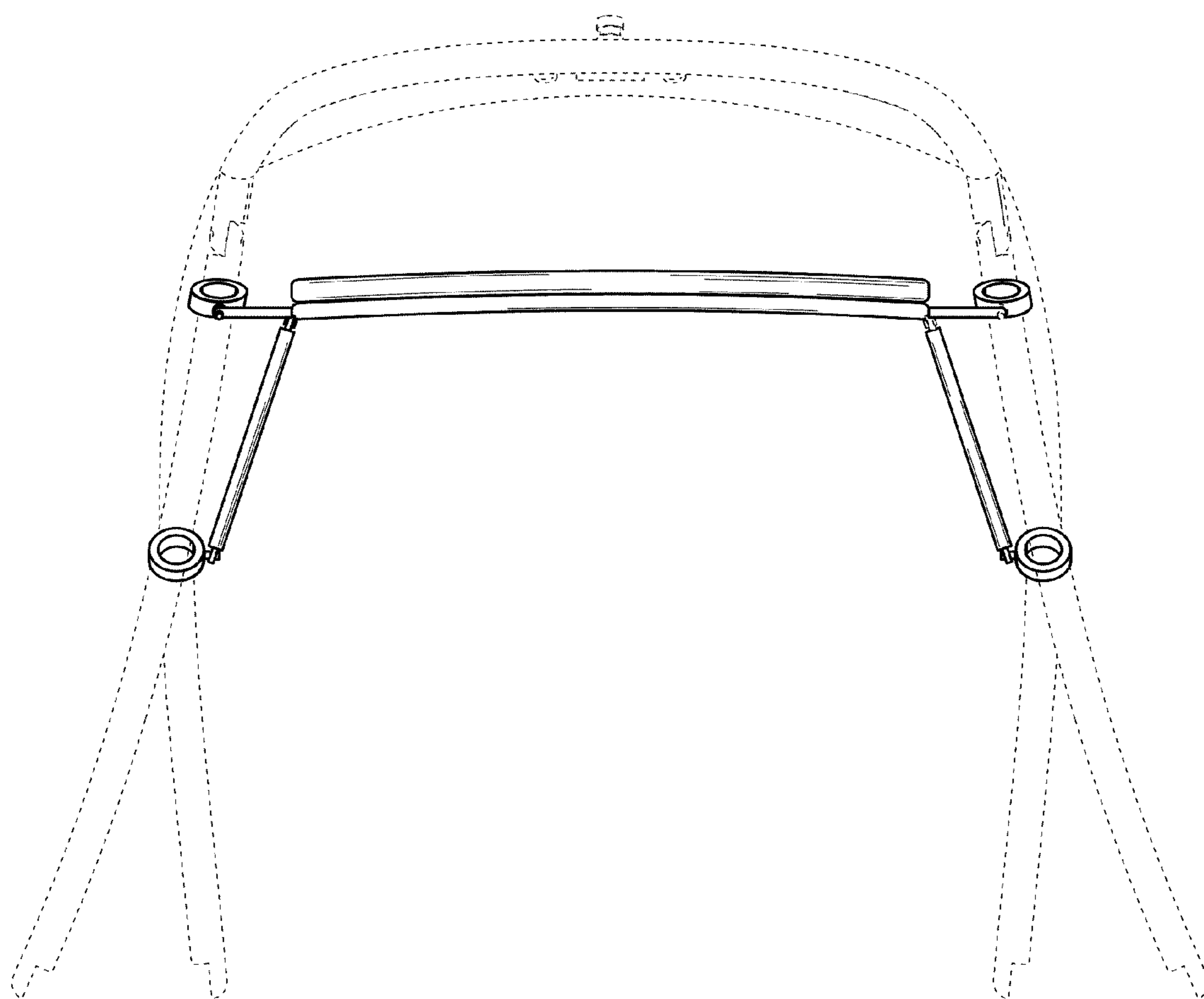


FIG. 3

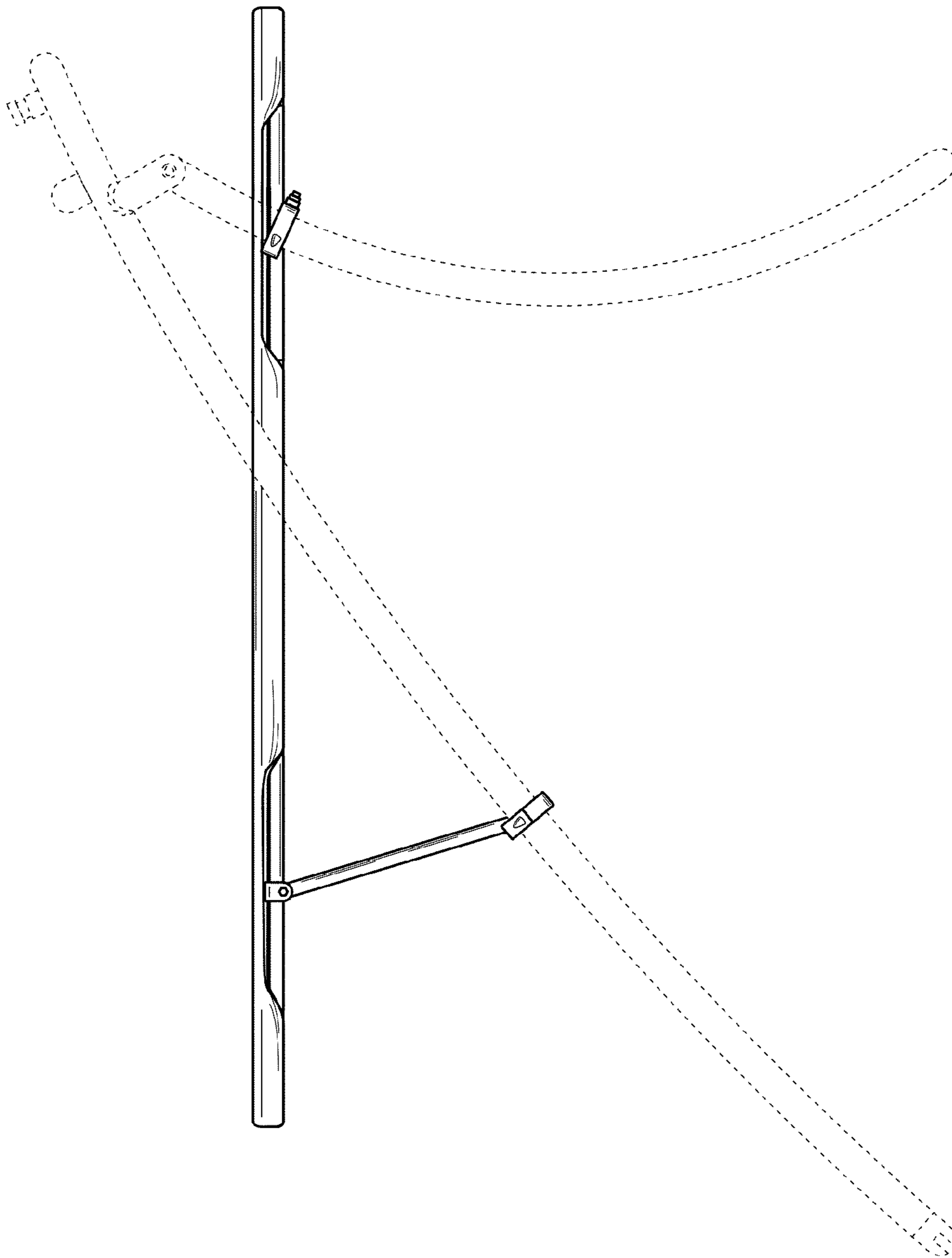


FIG. 4

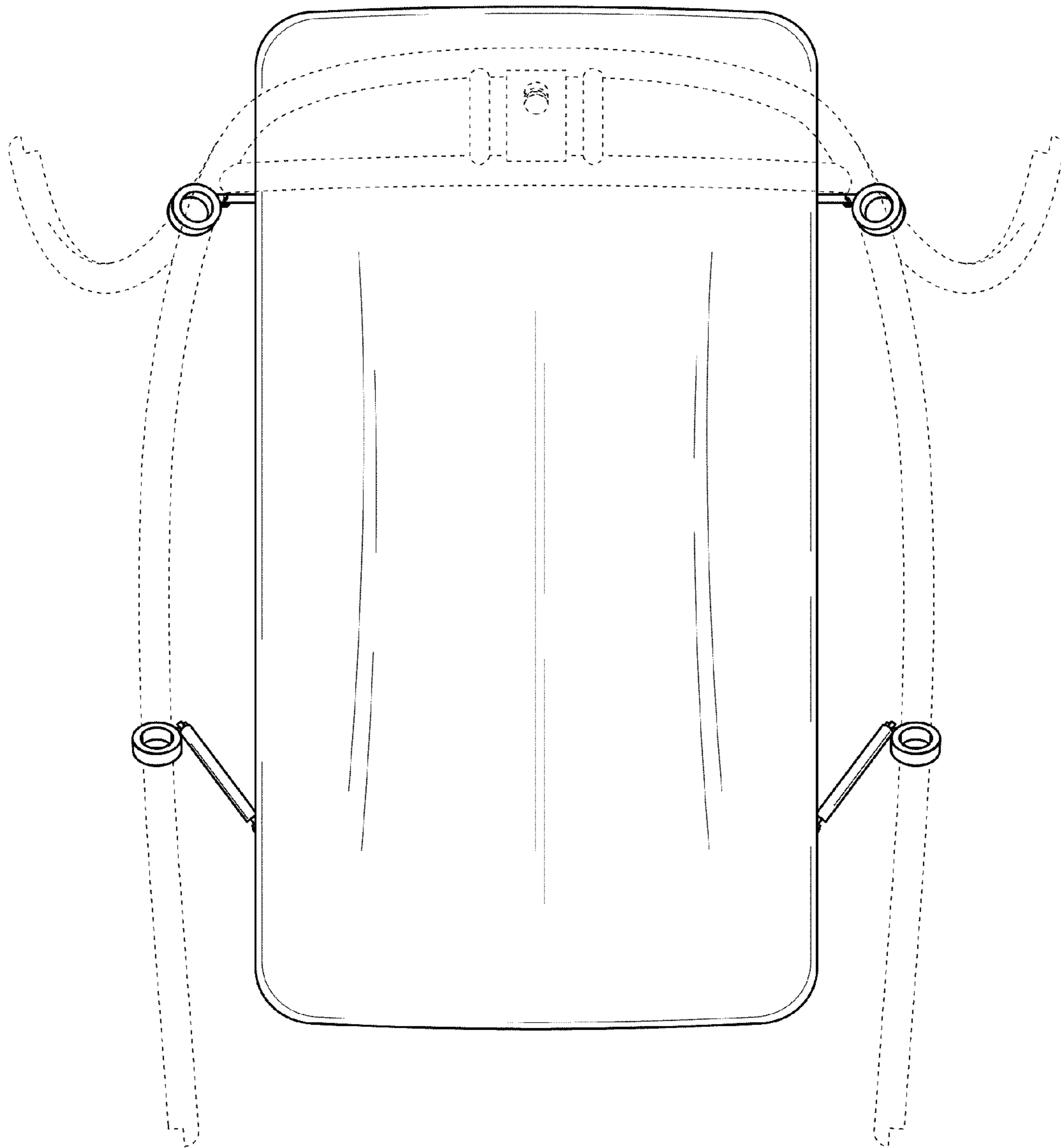


FIG. 5

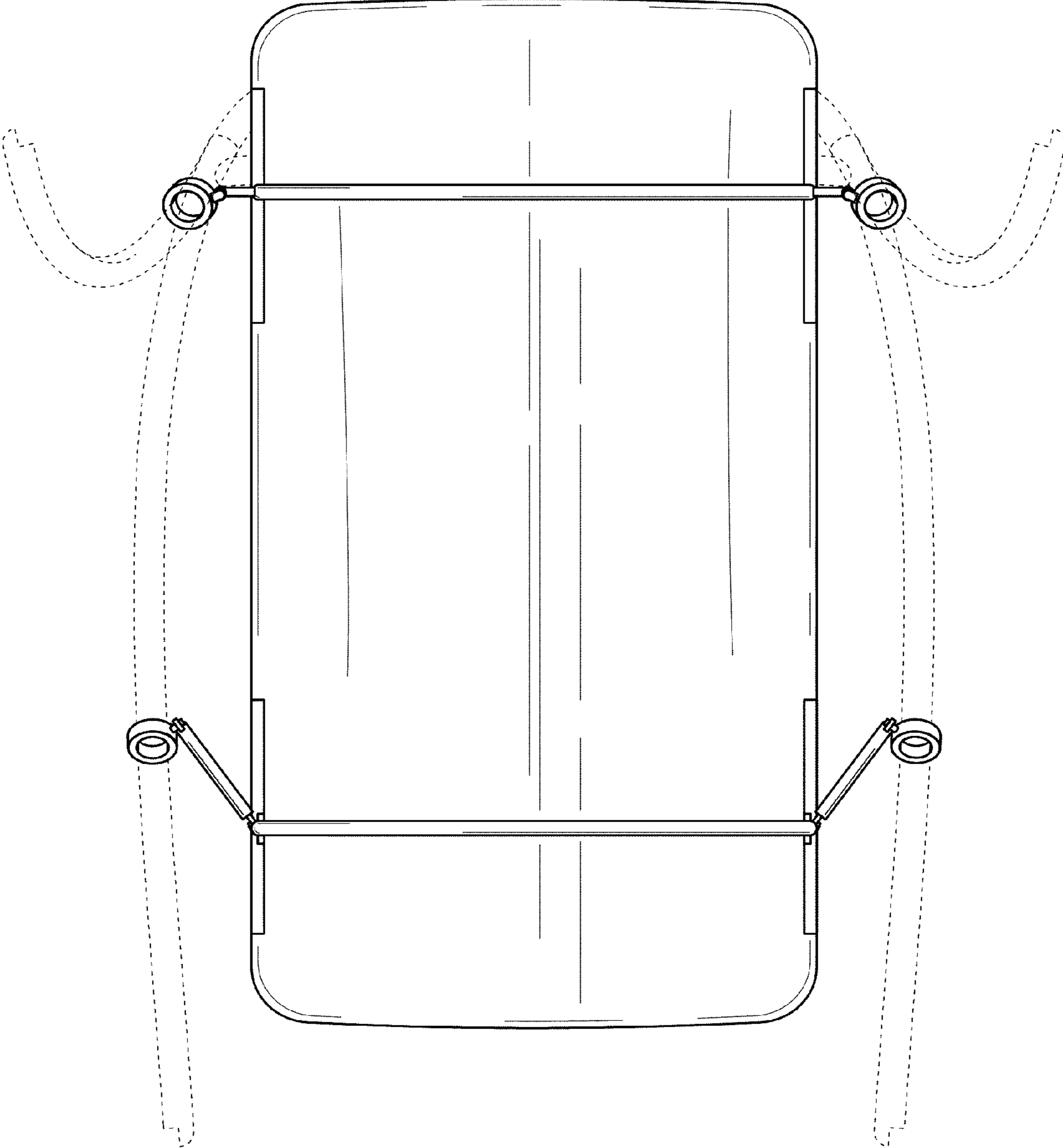


FIG. 6

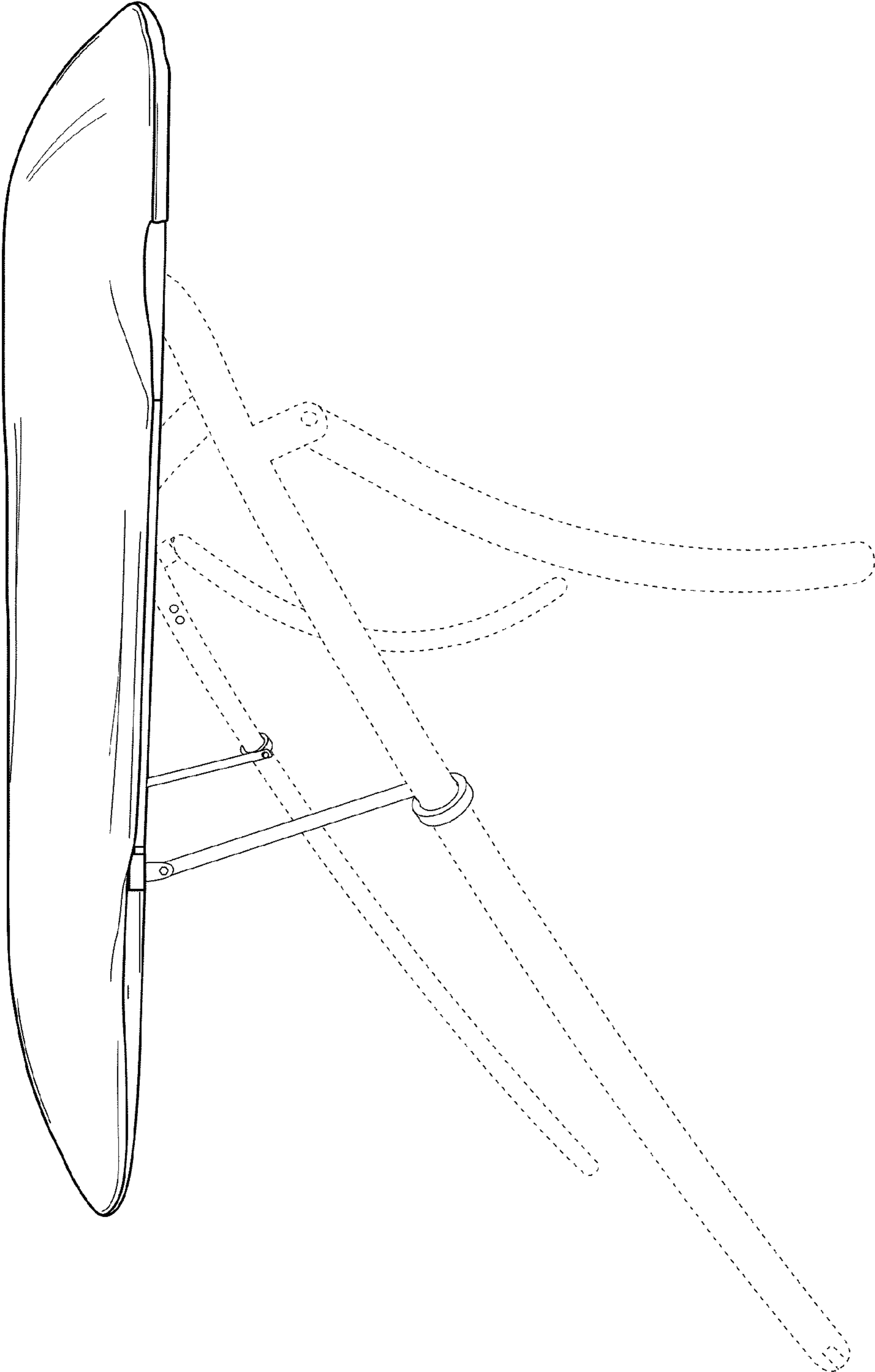


FIG. 7