



US00D649503S

(12) **United States Design Patent**
Platto et al.

(10) **Patent No.:** **US D649,503 S**

(45) **Date of Patent:** **** Nov. 29, 2011**

(54) **VEHICLE WHEEL**

(75) Inventors: **Gordon M Platto**, Troy, MI (US); **Earl Clyde Lucas**, Brentwood (GB); **Dong Park**, Royal Oak, MI (US)

(73) Assignee: **Ford Motor Company**, Dearborn, MI (US)

(**) Term: **14 Years**

(21) Appl. No.: **29/393,595**

(22) Filed: **Jun. 7, 2011**

(51) **LOC (9) Cl.** **12-16**

(52) **U.S. Cl.** **D12/209**

(58) **Field of Classification Search** D12/204-213;
301/37.101, 64.101, 65, 64.201
See application file for complete search history.

(56) **References Cited**

U.S. PATENT DOCUMENTS

D453,134 S *	1/2002	Murkett et al.	D12/209
D486,769 S *	2/2004	Gallert	D12/209
D504,648 S *	5/2005	Pfeiffer	D12/209
D506,717 S *	6/2005	Gallert	D12/209
D608,713 S *	1/2010	Bucher et al.	D12/209

D613,657 S *	4/2010	Cortes	D12/209
D614,558 S *	4/2010	Luciani et al.	D12/209
D617,243 S *	6/2010	Juergens et al.	D12/209
D618,151 S *	6/2010	Junker	D12/209
D621,770 S *	8/2010	Pollmann	D12/209
D623,115 S *	9/2010	Juergens et al.	D12/211
D626,052 S *	10/2010	Majdandzic	D12/209
D629,346 S *	12/2010	Szews	D12/211

OTHER PUBLICATIONS

Ford Taurus, New York International Auto Show, Apr. 25, 2011.

* cited by examiner

Primary Examiner — Stacia Cadmus

(74) *Attorney, Agent, or Firm* — Damian Porcari

(57) **CLAIM**

The ornamental design for a vehicle wheel, as shown and described.

DESCRIPTION

FIG. 1 is a front view of a vehicle wheel; and,
FIG. 2 is a perspective view of the vehicle wheel.

1 Claim, 2 Drawing Sheets

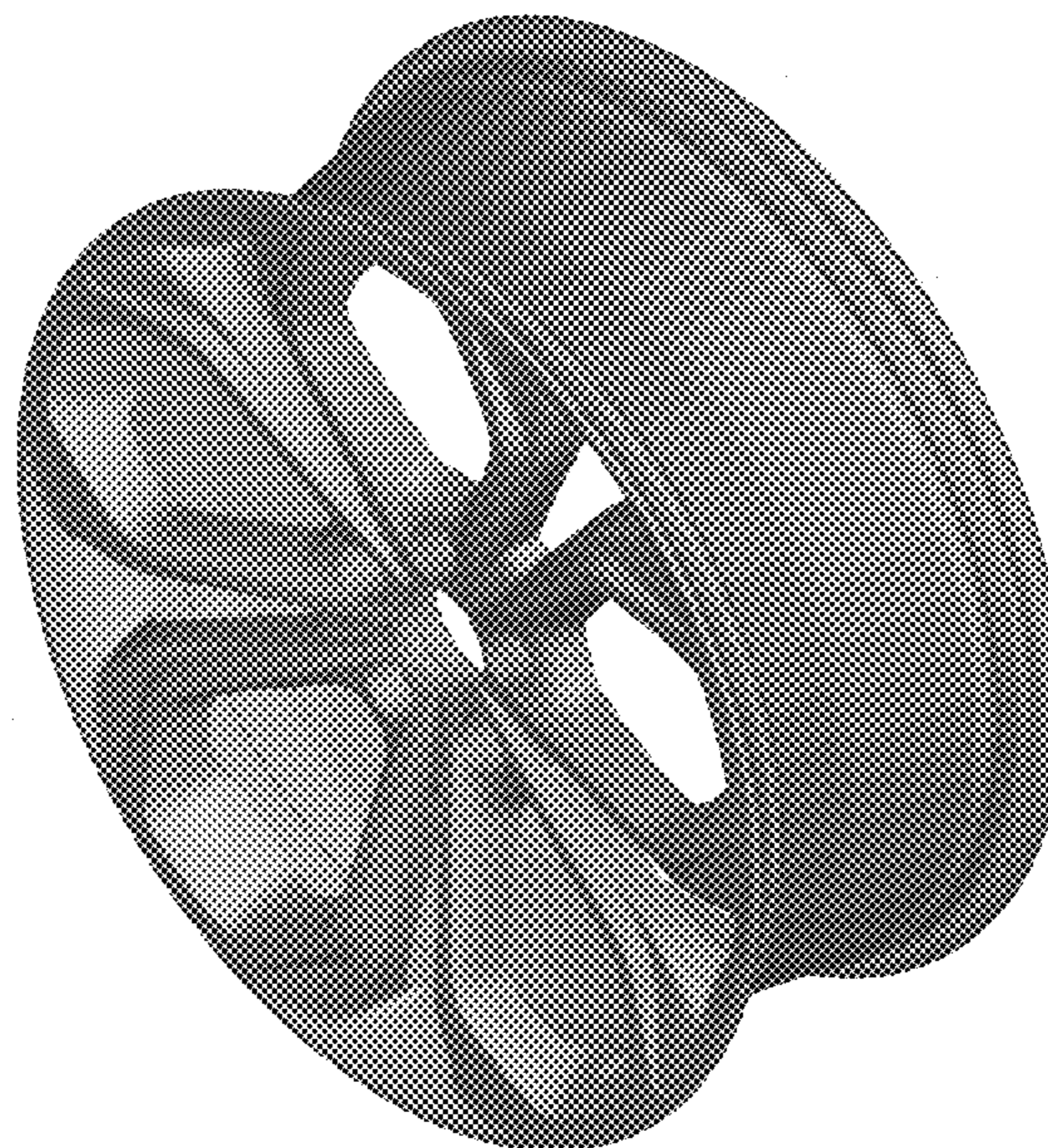
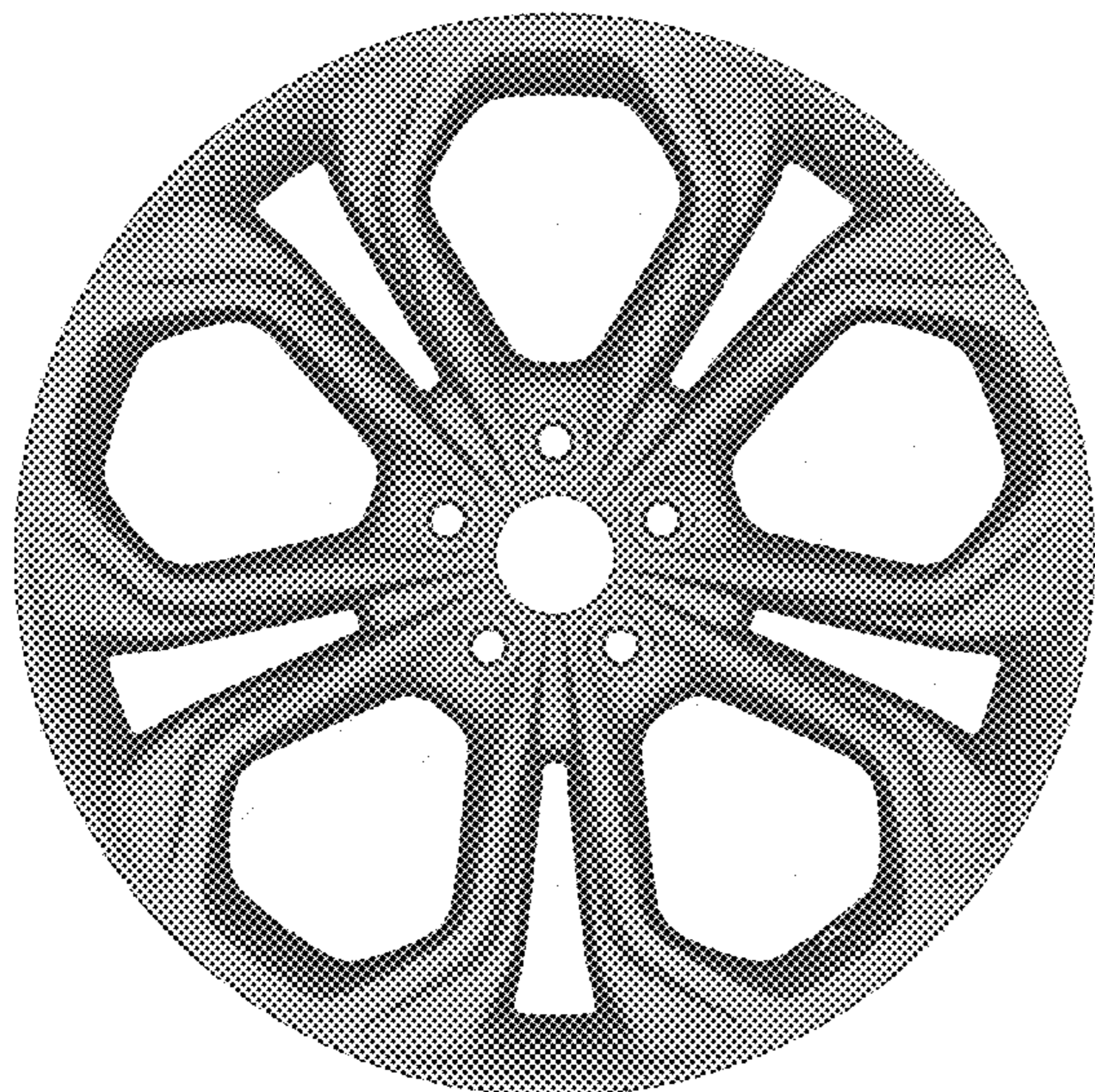




Figure 1



Figure 2