



US00D649501S

(12) **United States Design Patent**
Platto et al.

(10) **Patent No.:** **US D649,501 S**

(45) **Date of Patent:** **** Nov. 29, 2011**

(54) **VEHICLE WHEEL**

(75) Inventors: **Gordon M Platto**, Troy, MI (US); **Earl Clyde Lucas**, Brentwood (GB); **Dong Park**, Royal Oak, MI (US)

(73) Assignee: **Ford Motor Company**

(**) Term: **14 Years**

(21) Appl. No.: **29/393,590**

(22) Filed: **Jun. 7, 2011**

(51) **LOC (9) Cl.** **12-16**

(52) **U.S. Cl.** **D12/209**

(58) **Field of Classification Search** D12/204-213;
301/37.101, 64.101, 65, 64.201
See application file for complete search history.

(56) **References Cited**

U.S. PATENT DOCUMENTS

D476,938 S	*	7/2003	Hatori	D12/209
D500,276 S	*	12/2004	Cheng	D12/209
D504,648 S	*	5/2005	Pfeiffer	D12/209
D530,253 S	*	10/2006	Coutts	D12/209
D535,238 S	*	1/2007	Kim	D12/209
D543,493 S	*	5/2007	Kim	D12/209

D582,331 S	*	12/2008	Blasi	D12/209
D584,672 S	*	1/2009	Osborne	D12/209
D587,180 S	*	2/2009	Pfeiffer	D12/209
D593,919 S	*	6/2009	Pfeiffer	D12/209
D601,074 S	*	9/2009	Buschmann	D12/209
D608,714 S	*	1/2010	Bucher et al.	D12/209
D613,656 S	*	4/2010	Antoniadis et al.	D12/209
D614,107 S	*	4/2010	Juergens et al.	D12/209
D617,712 S	*	6/2010	Juergens et al.	D12/209
D625,236 S	*	10/2010	Hildebrand et al.	D12/209
D630,564 S	*	1/2011	Baum	D12/209

OTHER PUBLICATIONS

Ford Taurus, New York International Auto Show, Apr. 25, 2011.

* cited by examiner

Primary Examiner — Stacia Cadmus

(74) *Attorney, Agent, or Firm* — Damian Porcari

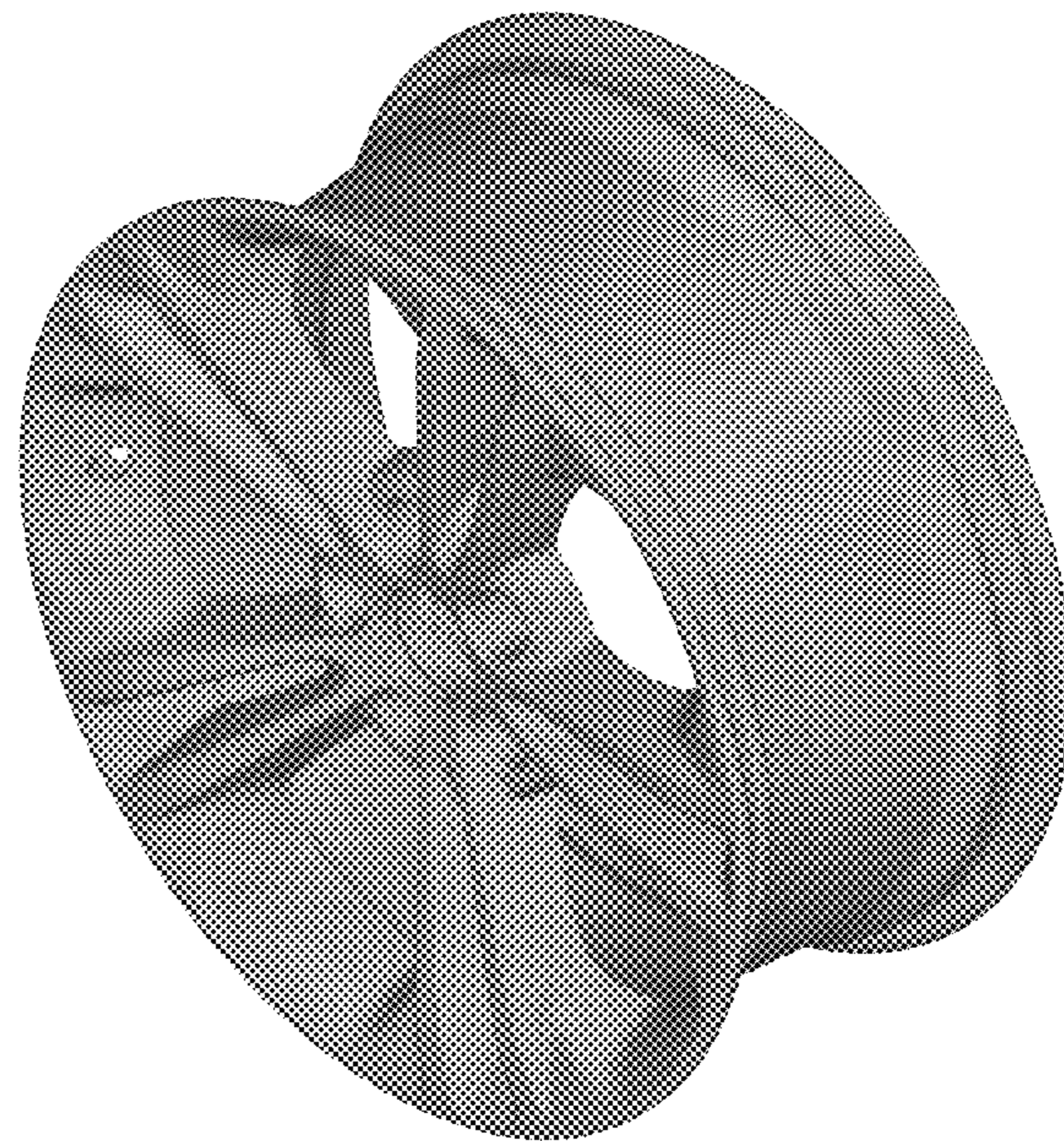
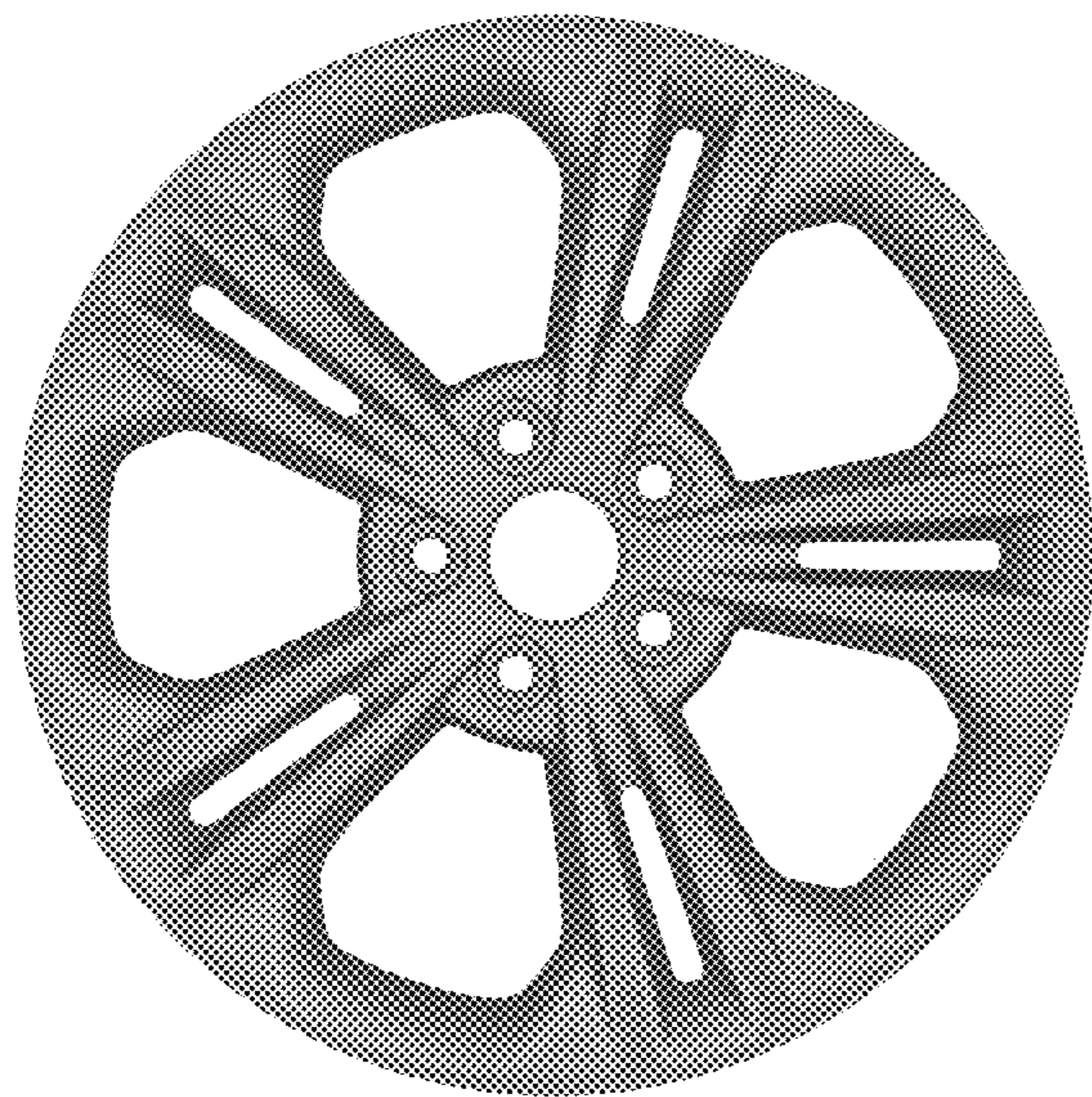
(57) **CLAIM**

The ornamental design for a vehicle wheel, as shown and described.

DESCRIPTION

FIG. 1 is a front view of a vehicle wheel; and, FIG. 2 is a perspective view of the vehicle wheel.

1 Claim, 2 Drawing Sheets



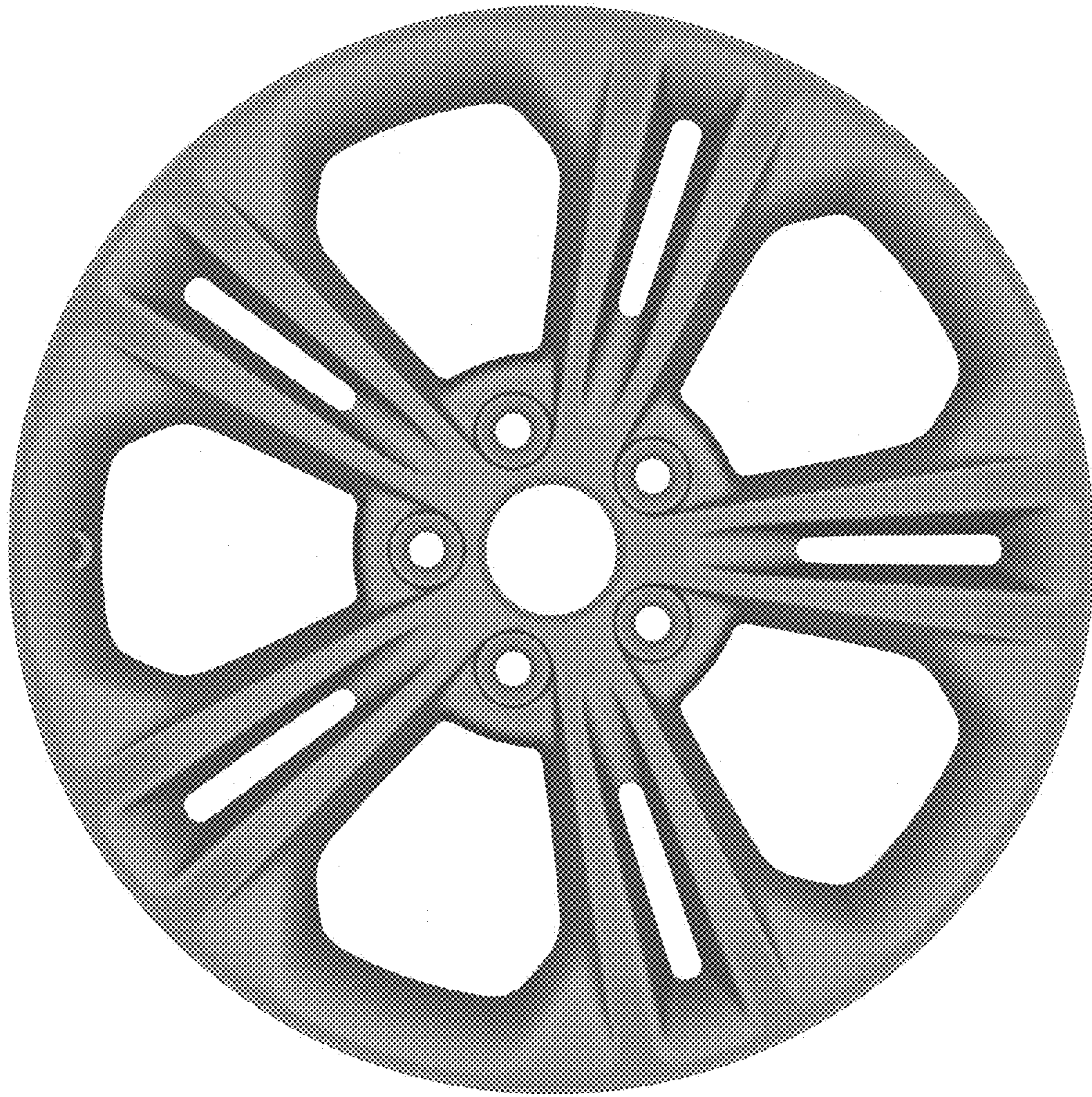


Figure 1

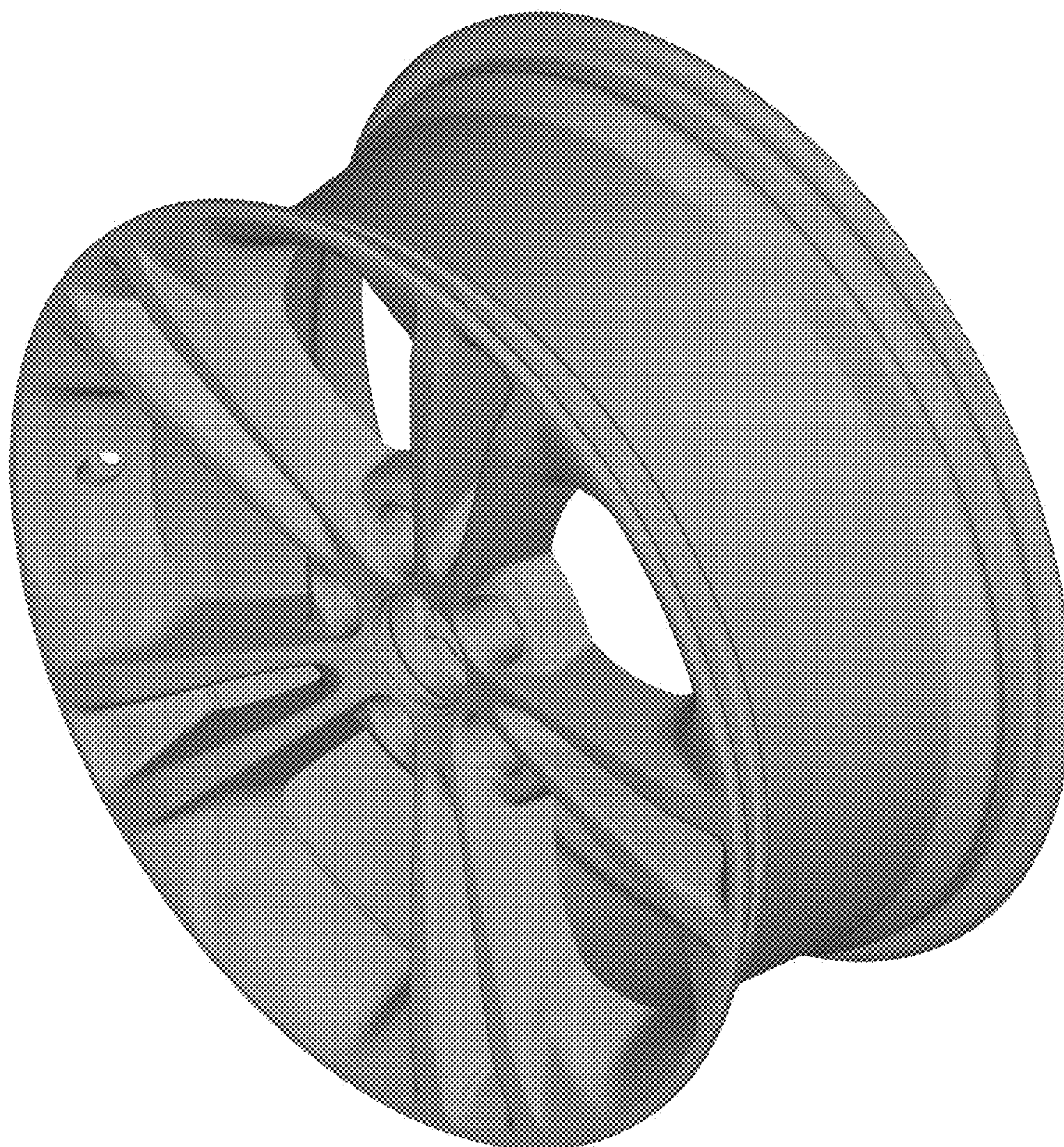


Figure 2