



US00D649500S

(12) **United States Design Patent**
Baum

(10) **Patent No.:** **US D649,500 S**

(45) **Date of Patent:** **** Nov. 29, 2011**

(54) **WHEEL OR WHEEL COVER**

(75) **Inventor:** **Stephan Baum, Olching (DE)**

(73) **Assignee:** **Bayerische Motoren Werke Aktiengesellschaft, Munich (DE)**

(**) **Term:** **14 Years**

(21) **Appl. No.:** **29/371,120**

(22) **Filed:** **Oct. 27, 2010**

(30) **Foreign Application Priority Data**

Apr. 28, 2010 (DE) 402010002511

(51) **LOC (9) Cl.** **12-16**

(52) **U.S. Cl.** **D12/209**

(58) **Field of Classification Search** D12/204-213;
301/37.101, 64.101, 65, 64.201
See application file for complete search history.

(56) **References Cited**

U.S. PATENT DOCUMENTS

D503,918 S *	4/2005	Fahr-Becker	D12/211
D516,002 S *	2/2006	Fahr-Becker	D12/211
D522,434 S *	6/2006	Langer	D12/209
D550,140 S *	9/2007	Laengerer	D12/211
D567,167 S *	4/2008	Forster	D12/211
D585,354 S *	1/2009	Powell et al.	D12/211
D586,284 S *	2/2009	Fridie	D12/211
D593,478 S *	6/2009	Tirado	D12/211
D594,396 S *	6/2009	Juergens et al.	D12/211
D615,018 S *	5/2010	Truebsbach	D12/211

D625,235 S	10/2010	Nissl	
D625,675 S *	10/2010	Juergens et al. D12/209
D635,904 S *	4/2011	Futschik et al. D12/209

FOREIGN PATENT DOCUMENTS

EM	000825609-0003	11/2009
EM	001598277-0002	1/2010
EM	001598277-0010	1/2010
EM	001744640-0008	8/2010
EM	001684507-0005	10/2010
EM	001636978-0020	11/2010

* cited by examiner

Primary Examiner — Stacia Cadmus

(74) *Attorney, Agent, or Firm* — Crowell & Moring LLP

(57) **CLAIM**

The ornamental design for a wheel or wheel cover, as shown and described.

DESCRIPTION

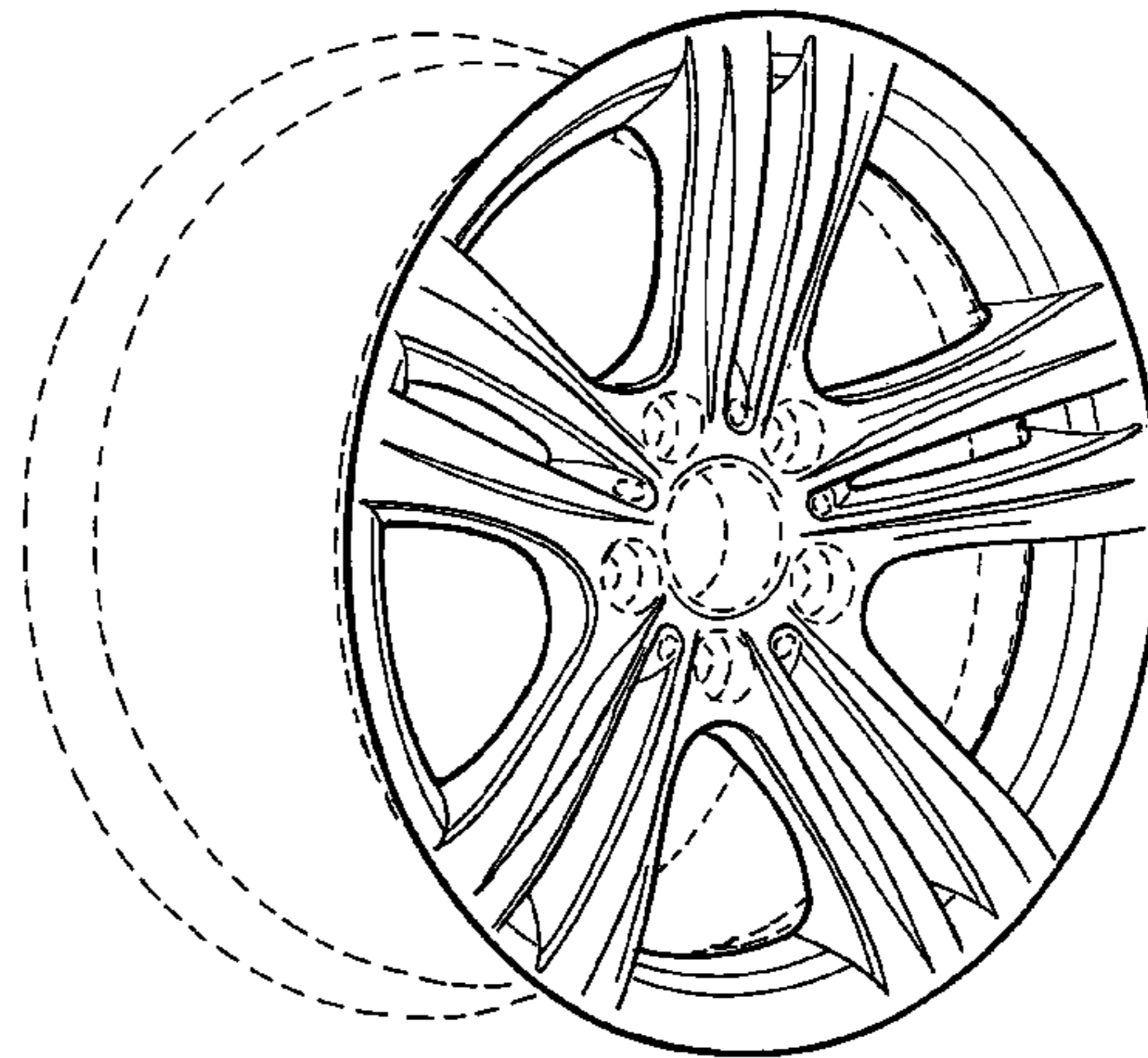
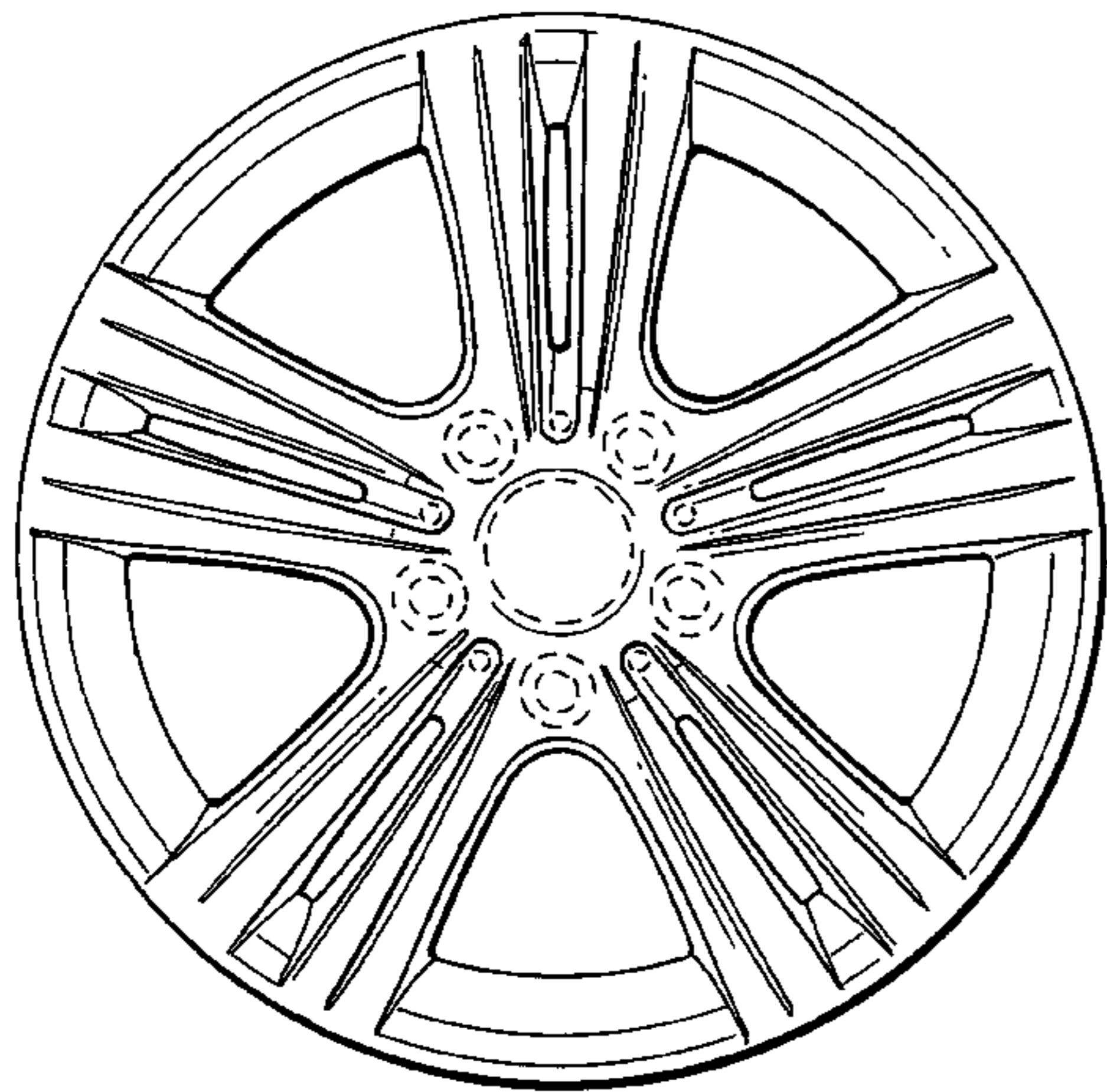
This application contains subject matter related to the following co-pending U.S. design patent applications: application Ser. No. 29/347,270, filed Nov. 19, 2009 and entitled "Wheel or Wheel Cover;" and application Ser. No. 29/347,967, filed Aug. 20, 2010 and entitled "Wheel or Wheel Cover."

FIG. 1 is a front view of a wheel or wheel cover according to my design; and,

FIG. 2 is a perspective view thereof.

The broken line showing of the rear of the wheel and the bolt holes and the center hole in the central hub area is included for the purpose of illustrating environment and forms no part of the claimed design.

1 Claim, 1 Drawing Sheet



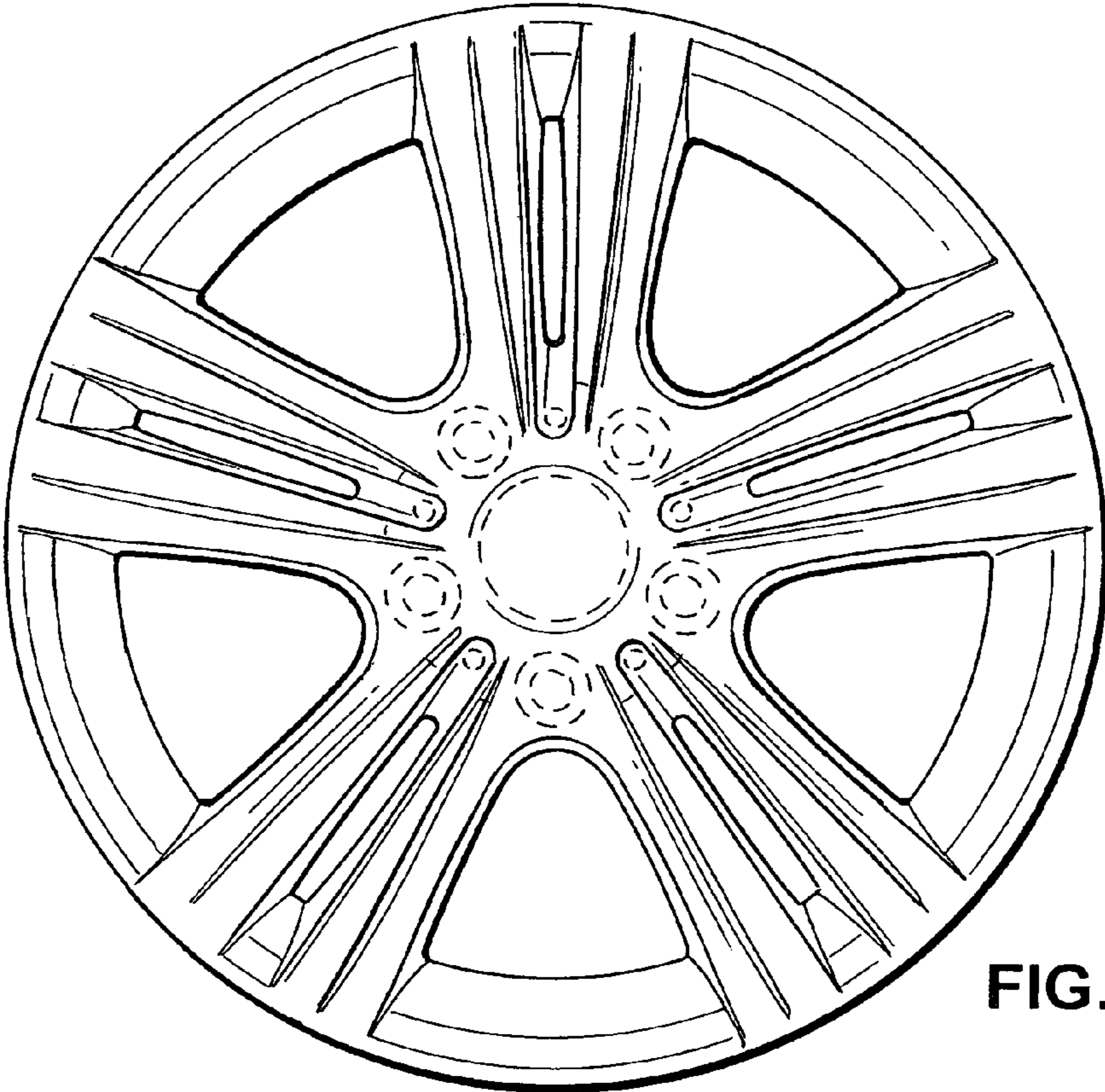


FIG. 1

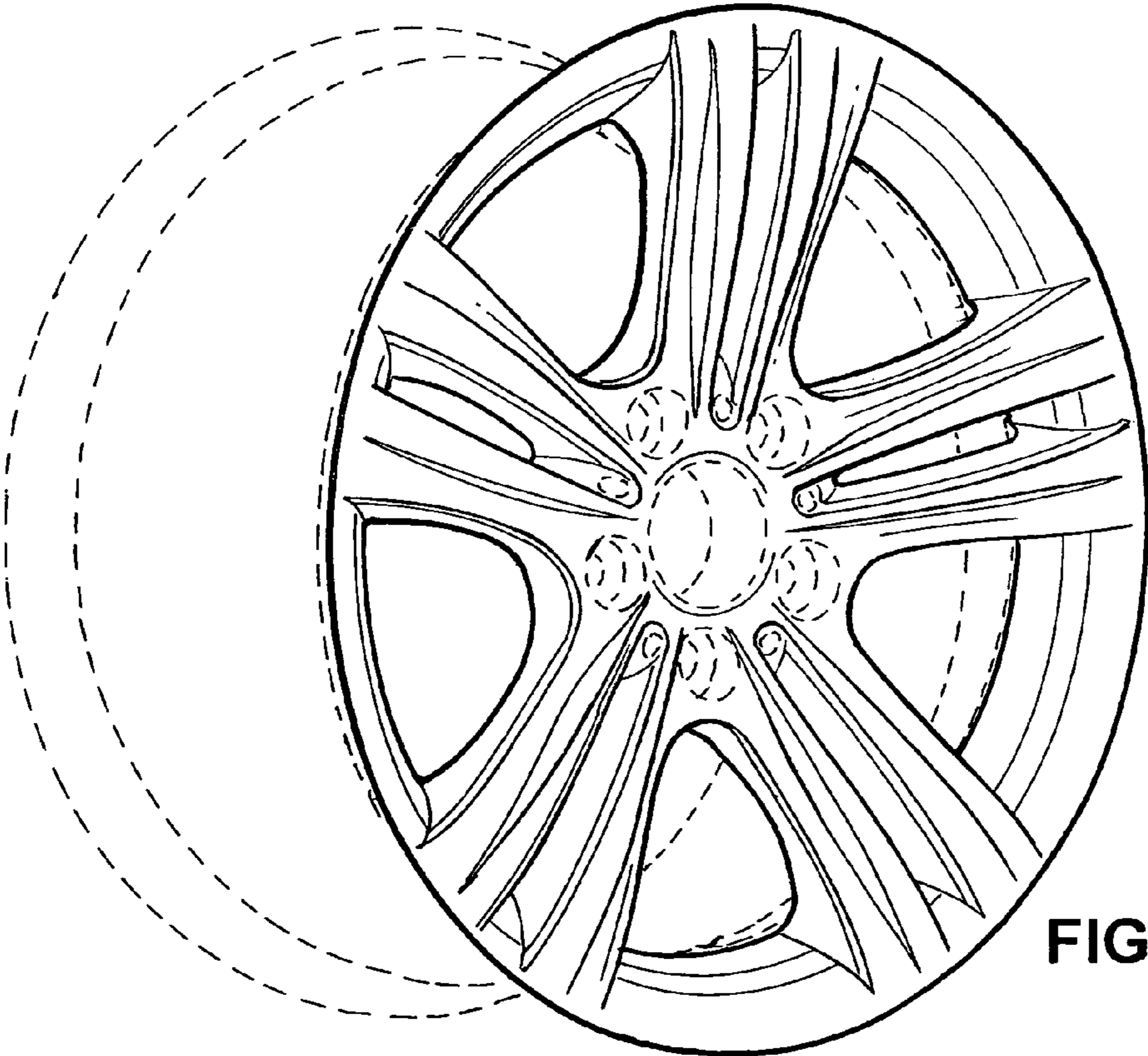


FIG. 2