



US00D649499S

(12) **United States Design Patent**
Krisch

(10) **Patent No.:** **US D649,499 S**

(45) **Date of Patent:** **** Nov. 29, 2011**

(54) **WHEEL OR WHEEL COVER**

(75) Inventor: **Daniel Krisch**, Schwaikheim (DE)

(73) Assignee: **Daimler AG**, Stuttgart (DE)

(**) Term: **14 Years**

(21) Appl. No.: **29/311,711**

(22) Filed: **Jun. 2, 2009**

(30) **Foreign Application Priority Data**

Dec. 3, 2008 (EM) 001050074-0001

(51) **LOC (9) Cl.** **12-16**

(52) **U.S. Cl.** **D12/209**

(58) **Field of Classification Search** D12/204-213;
301/37.101, 64.101, 64.201, 65

See application file for complete search history.

(56) **References Cited**

U.S. PATENT DOCUMENTS

D578,949 S * 10/2008 Hieke D12/211
D620,417 S * 7/2010 Gallert D12/209
D627,287 S * 11/2010 Gallert D12/209

D636,319 S * 4/2011 Toth D12/211
D638,768 S * 5/2011 Nissl D12/211
D638,772 S * 5/2011 Hans et al. D12/211
D641,301 S * 7/2011 Hilpert D12/211
D641,680 S * 7/2011 Laengerer D12/211
D643,795 S * 8/2011 Nissl D12/211
D644,155 S * 8/2011 Truebsbach D12/209
D644,585 S * 9/2011 Antoniadis et al. D12/209

* cited by examiner

Primary Examiner — Caron D Veynar

Assistant Examiner — Katrina A Kile

(74) *Attorney, Agent, or Firm* — Crowell & Moring LLP

(57) **CLAIM**

The ornamental design for a wheel or wheel cover, as shown and described.

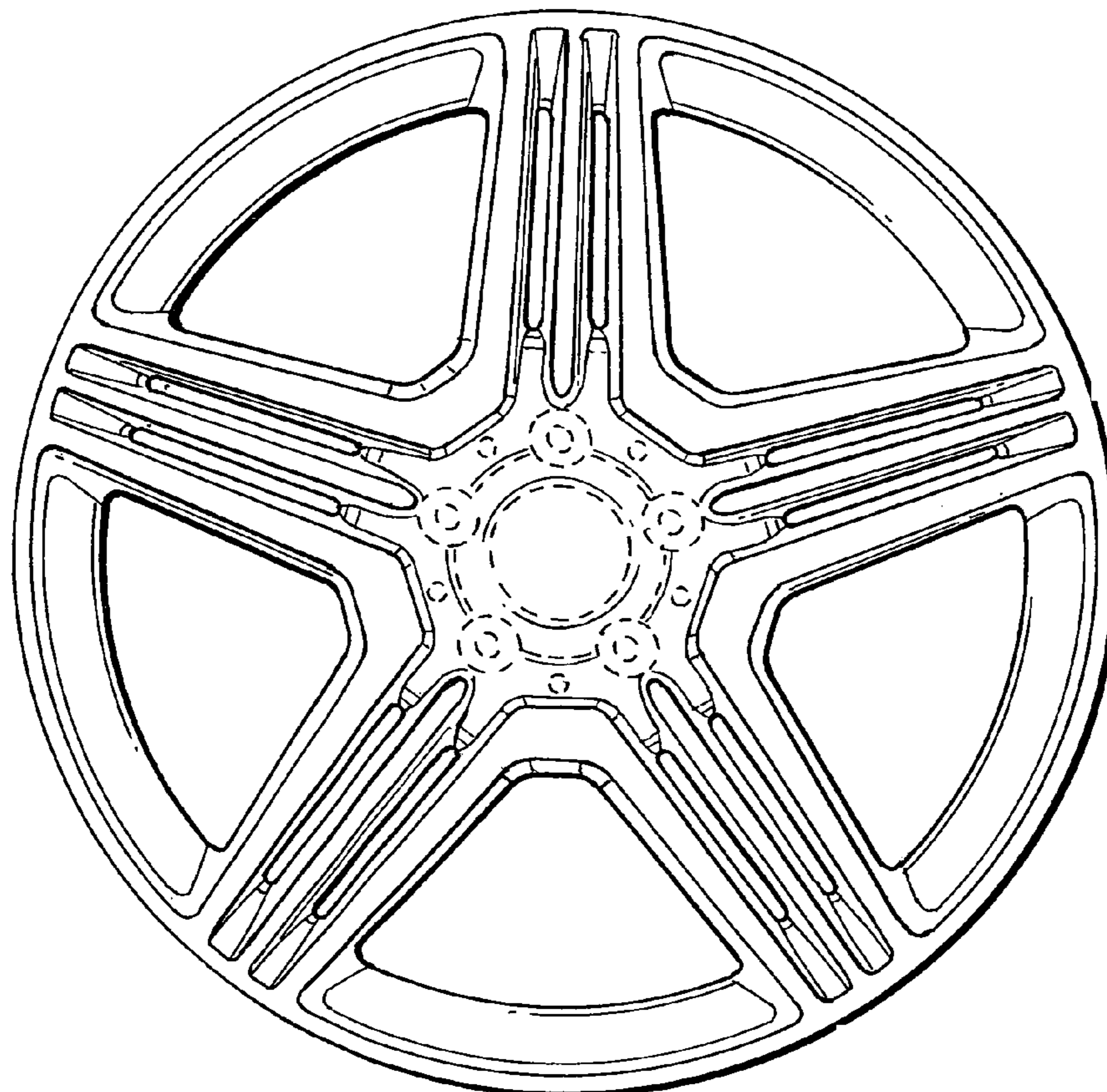
DESCRIPTION

FIG. 1 is a front view of a wheel or wheel cover according to my design; and,

FIG. 2 is a perspective view thereof.

The broken line showing of rear of the wheel, the bolt holes and center hub area is included for the purpose of illustrating environment and forms no part of the claimed design.

1 Claim, 1 Drawing Sheet



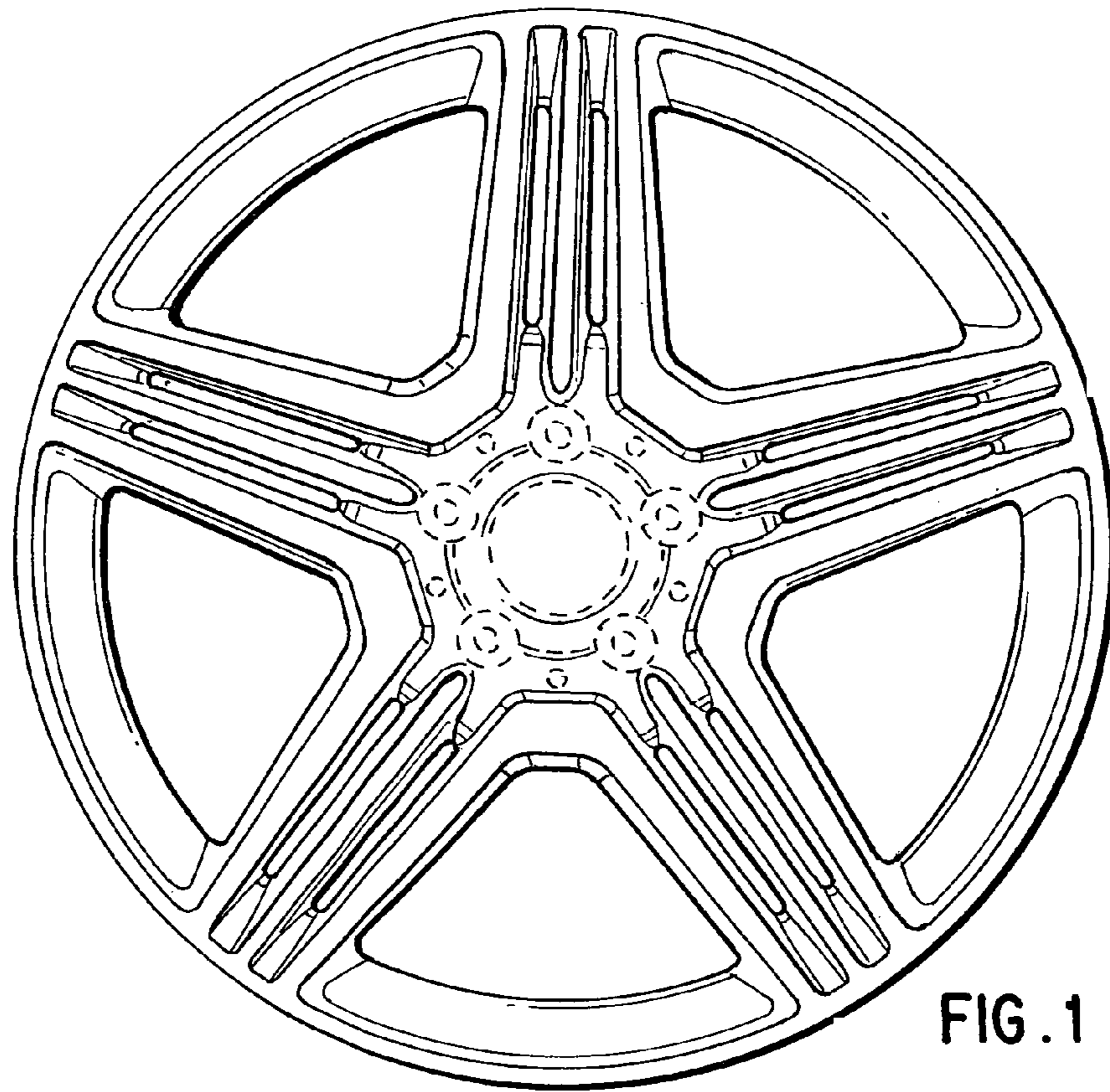


FIG. 1

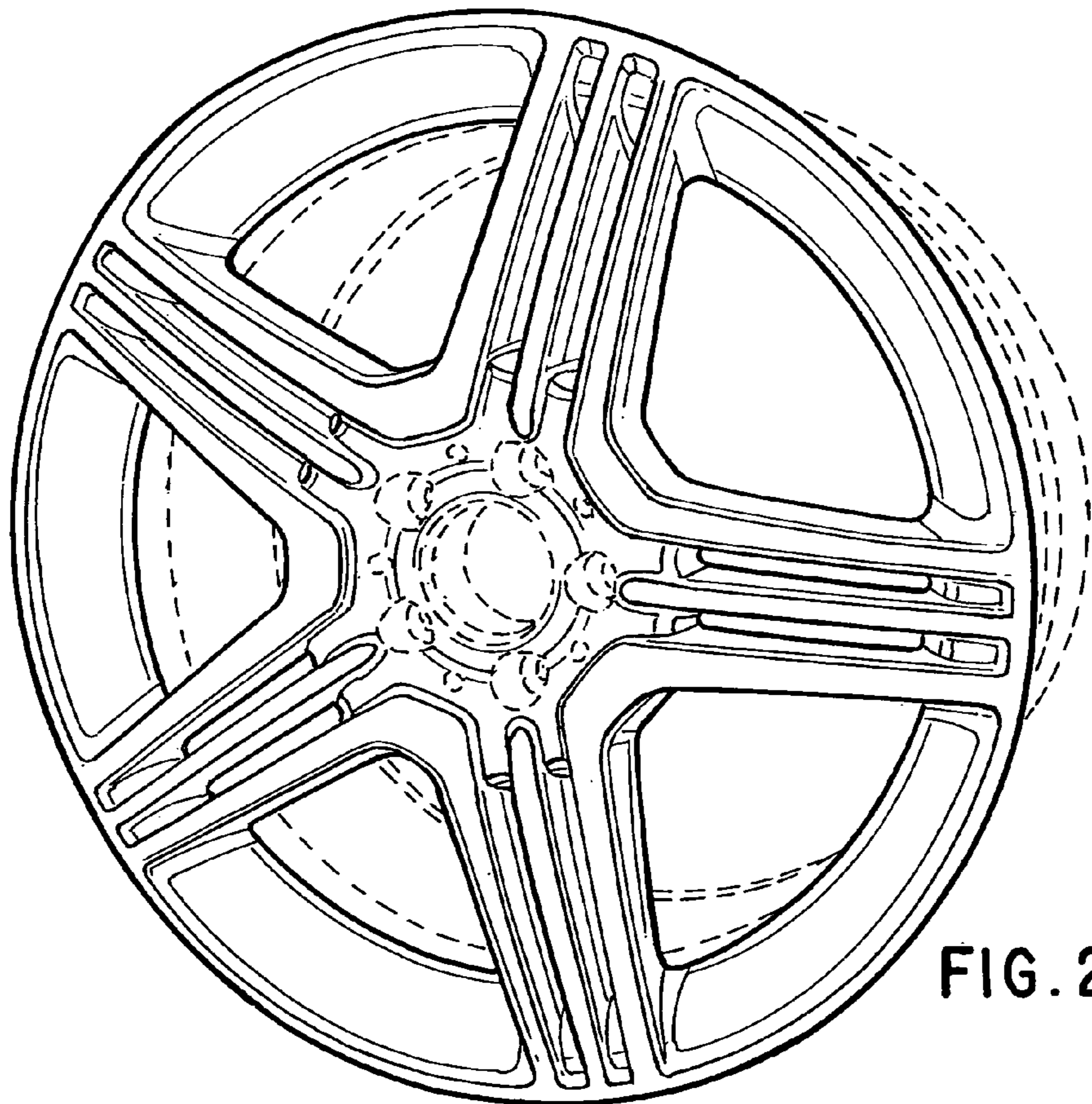


FIG. 2