



US00D649495S

(12) **United States Design Patent**
Blümel et al.

(10) **Patent No.:** **US D649,495 S**

(45) **Date of Patent:** **** Nov. 29, 2011**

(54) **BICYCLE**

(76) Inventors: **Matthias Blümel**, München (DE); **Anja Schmidt-Amelung**, München (DE); **Sebastian Wegerle**, München (DE)

(**) Term: **14 Years**

(21) Appl. No.: **29/384,993**

(22) Filed: **Feb. 7, 2011**

(51) **LOC (9) Cl.** **12-11**

(52) **U.S. Cl.** **D12/111**

(58) **Field of Classification Search** D12/111,
D12/114, 117; 280/274–280, 281.1, 283–288,
280/288.1–288.4; 180/65.1–65.6, 205–207,
180/219, 220; 224/419, 425–427, 42.11,
224/902

See application file for complete search history.

(56) **References Cited**

U.S. PATENT DOCUMENTS

3,921,745 A * 11/1975 McCulloch et al. 180/206.1
4,221,275 A * 9/1980 Pennebaker et al. 180/206.3
5,910,714 A * 6/1999 Buchanan et al. 318/139
6,039,137 A * 3/2000 Schless 180/220

D434,349 S * 11/2000 Currie et al. D12/111
D499,989 S * 12/2004 Snyder et al. D12/114
6,866,111 B2 * 3/2005 Dube et al. 180/206.3
6,880,661 B1 * 4/2005 Oh 180/206.1
2003/0159869 A1 * 8/2003 Trerice 180/205
2009/0266636 A1 * 10/2009 Naegeli 180/205
2010/0133778 A1 * 6/2010 Munksoe 280/281.1

* cited by examiner

Primary Examiner — Susan M Lee

Assistant Examiner — Linda G. Brooks

(74) *Attorney, Agent, or Firm* — Greer, Burns & Crain, Ltd.

(57) **CLAIM**

The ornamental design for a bicycle, as shown and described.

DESCRIPTION

FIG. 1 is a top perspective view of the present bicycle;

FIG. 2 is a front view of same;

FIG. 3 is a rear view of the bicycle of FIG. 1;

FIG. 4 is a left side view of same;

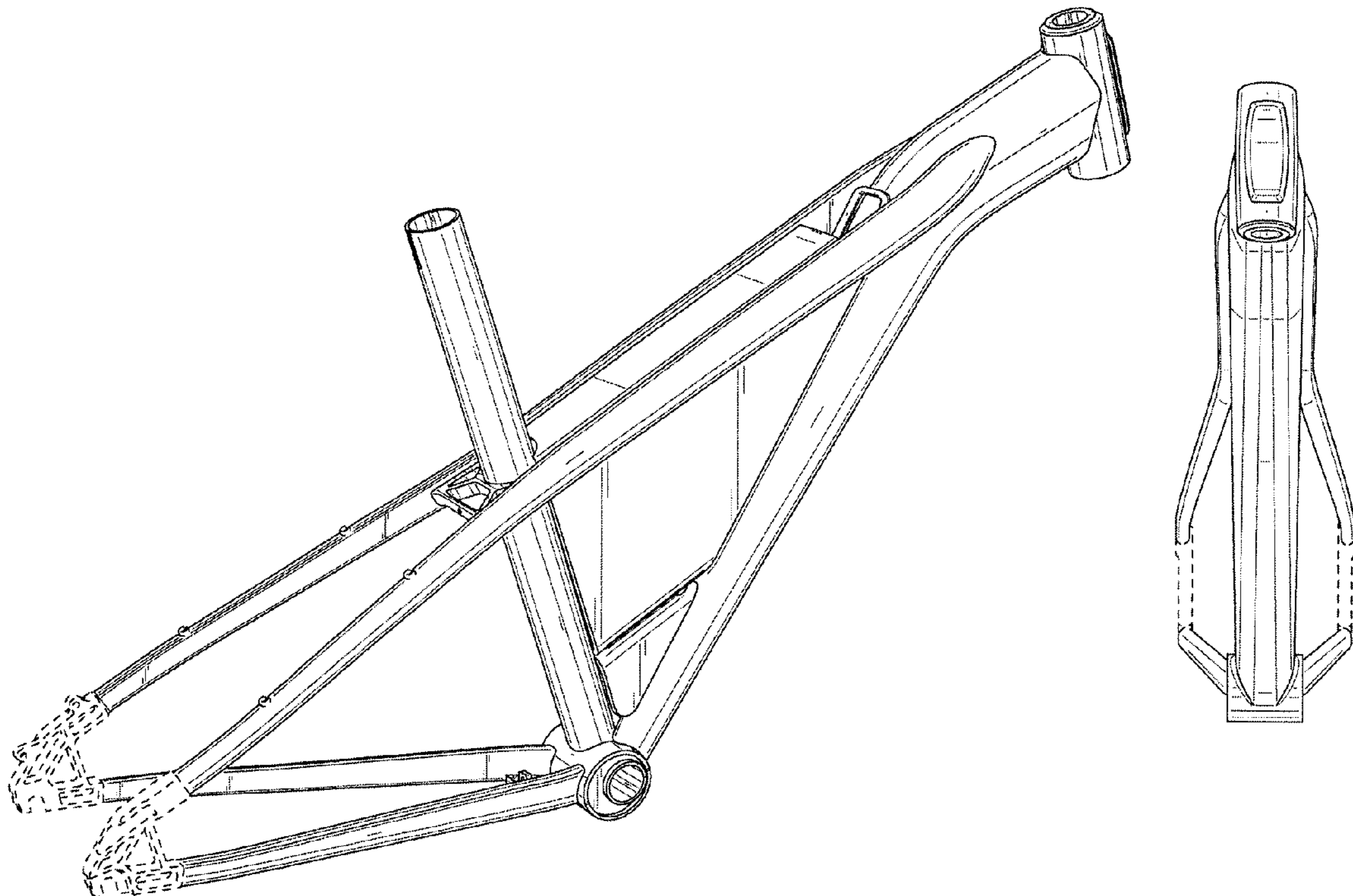
FIG. 5 is a right side view of same;

FIG. 6 is a top view of the present bicycle; and,

FIG. 7 is a bottom view of same.

The structure shown in broken lines is for environment purposes only and does not form part of the claimed invention.

1 Claim, 5 Drawing Sheets



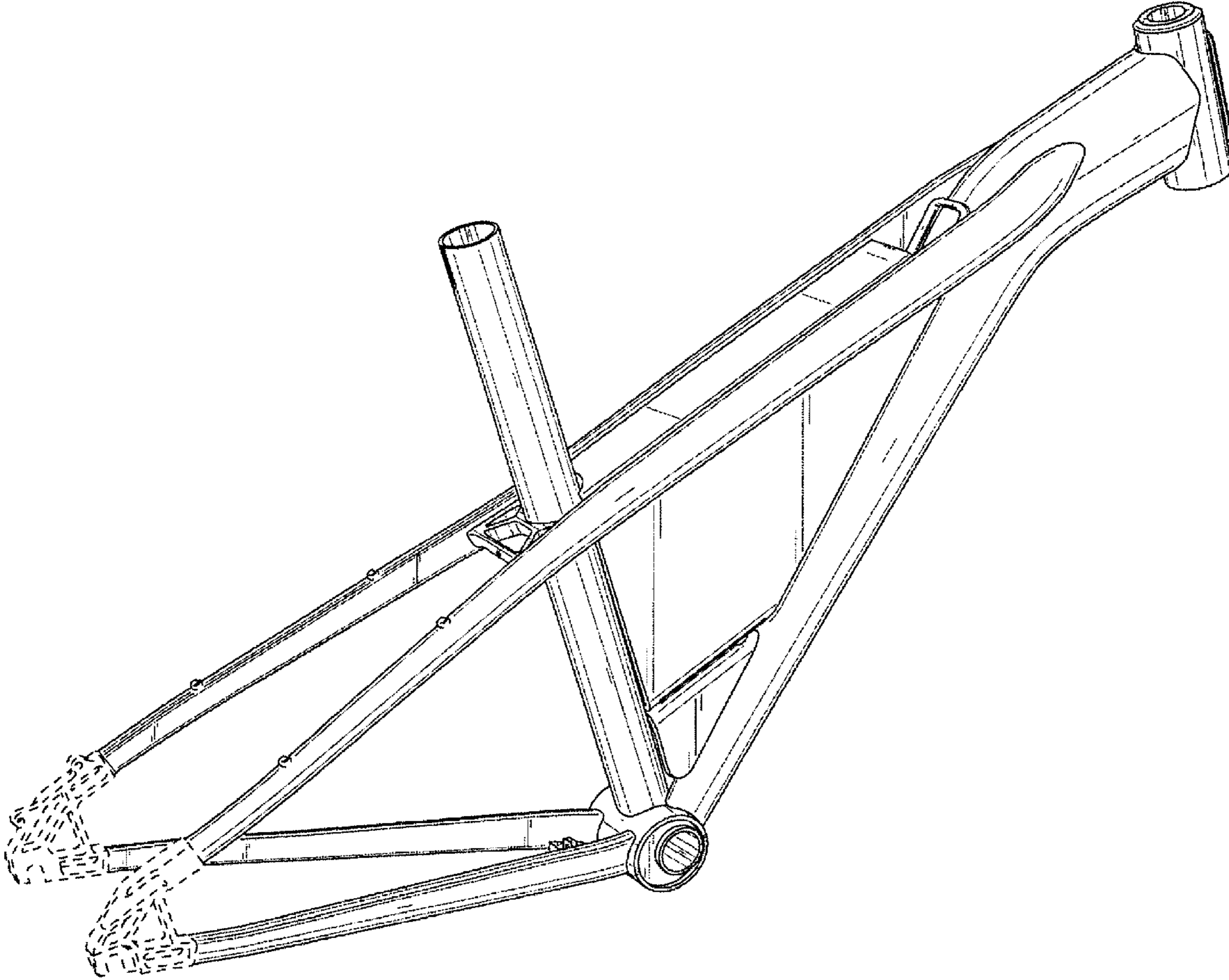


FIG. 1

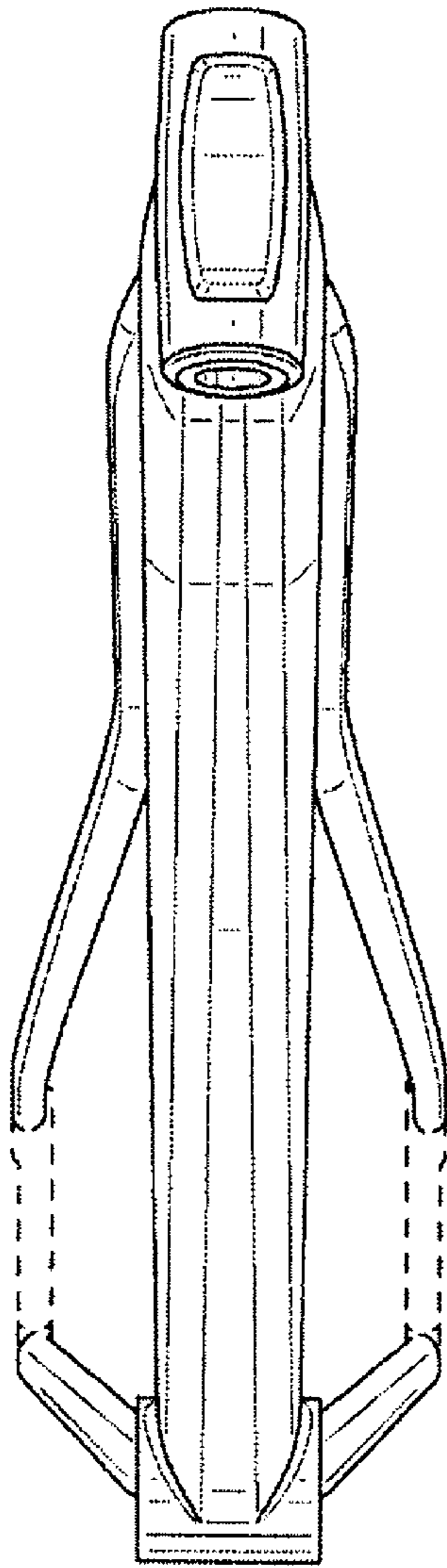


FIG. 2

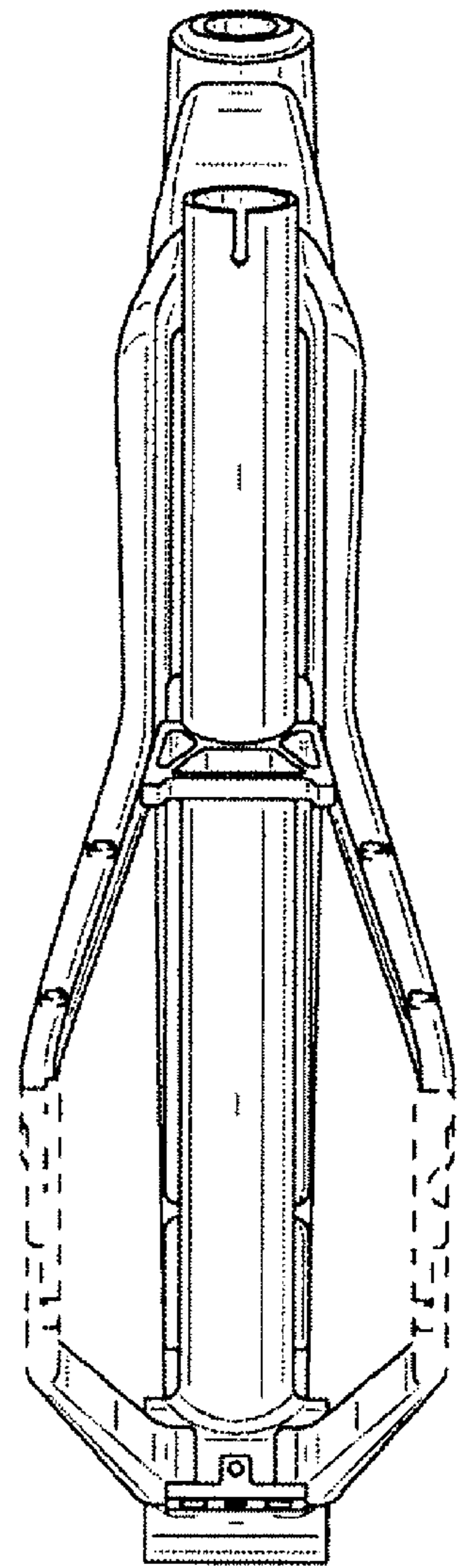


FIG. 3

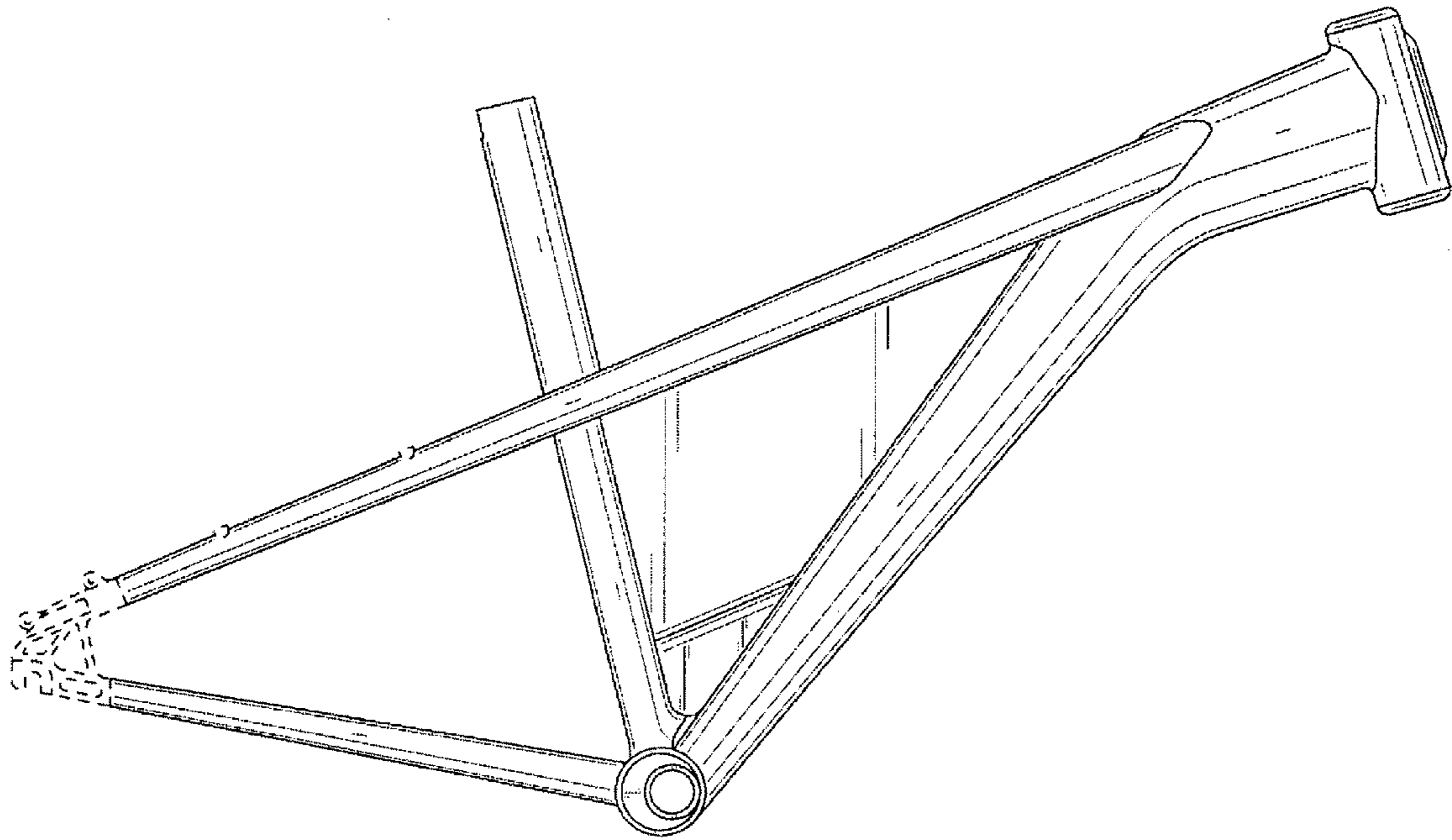


FIG. 4

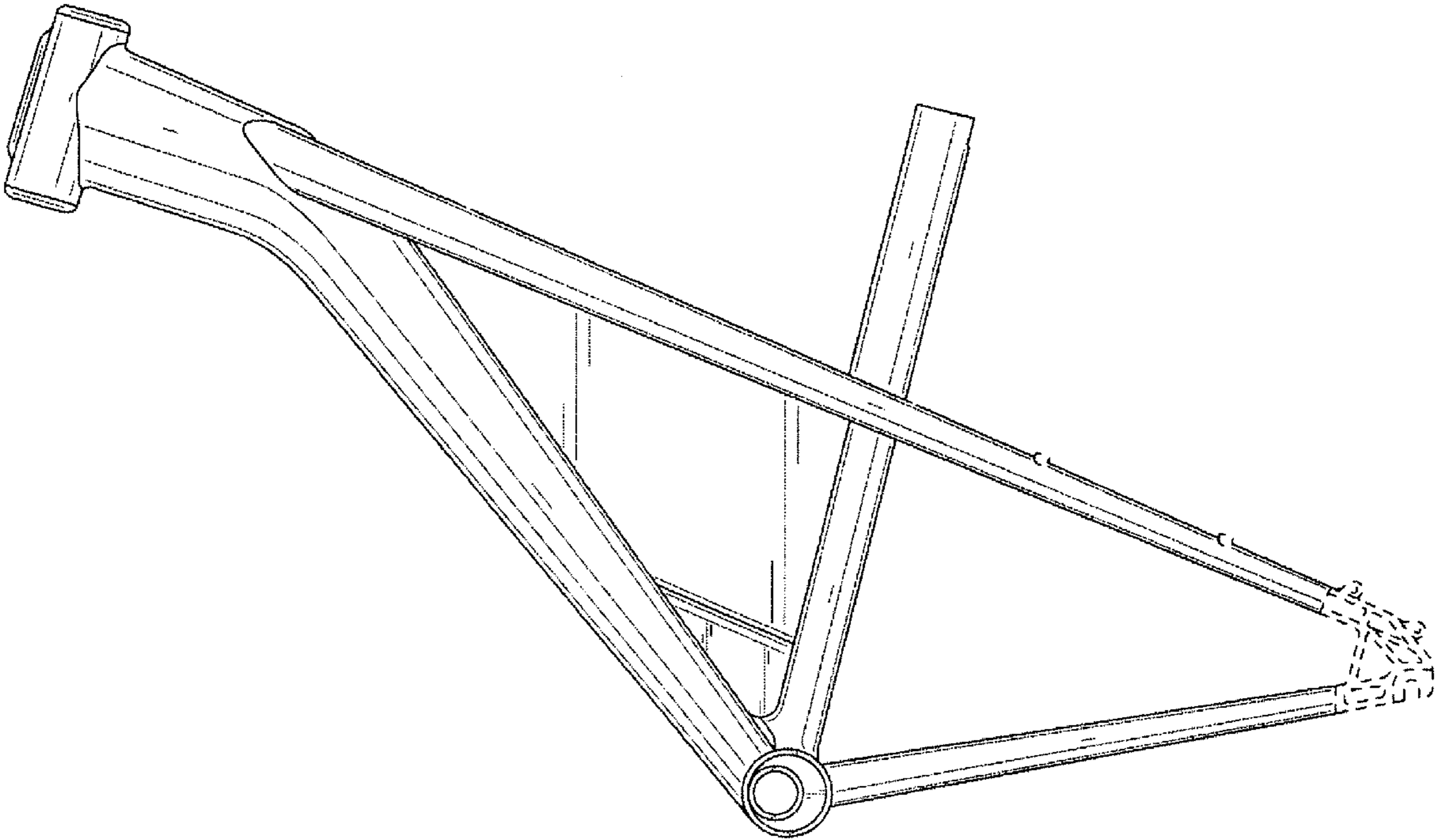


FIG. 5

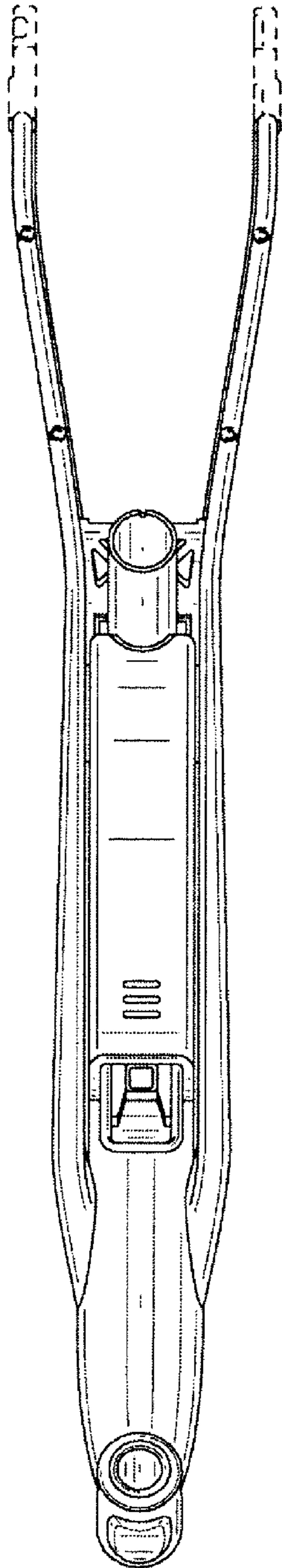


FIG. 6

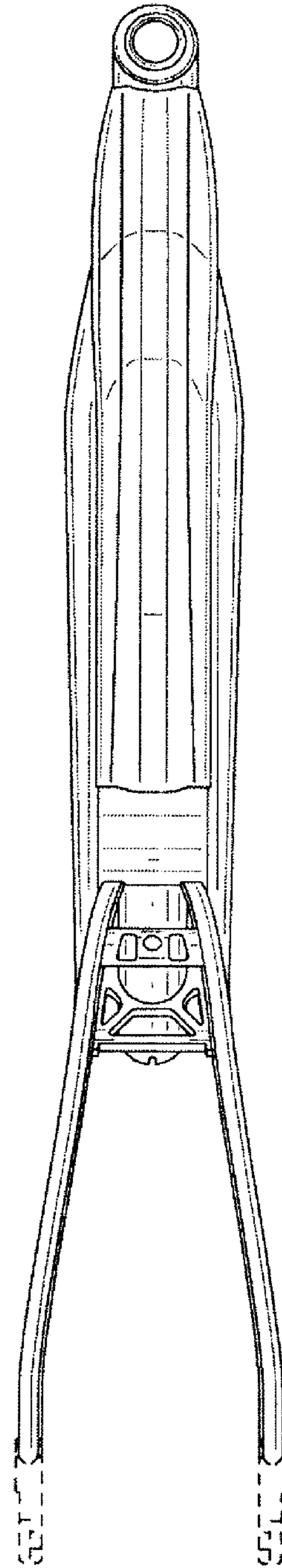


FIG. 7

UNITED STATES PATENT AND TRADEMARK OFFICE
CERTIFICATE OF CORRECTION

PATENT NO. : D649,495 S
APPLICATION NO. : 29/384993
DATED : November 29, 2011
INVENTOR(S) : Matthias Blümel et al.

Page 1 of 1

It is certified that error appears in the above-identified patent and that said Letters Patent is hereby corrected as shown below:

On the title page

After item (22) insert:

--(30) Foreign Priority Data

Aug. 6, 2010 (DE) 40 2010 004 323.5--

Signed and Sealed this
Thirteenth Day of January, 2015



Michelle K. Lee
Deputy Director of the United States Patent and Trademark Office