



US00D649492S

(12) **United States Design Patent**
Grimm et al.

(10) **Patent No.:** **US D649,492 S**

(45) **Date of Patent:** **** Nov. 29, 2011**

(54) **BUCKLE**

(75) Inventors: **Michael B. Grimm**, Evanston, IL (US);
Martin J. Nilsen, Hampshire, IL (US)

(73) Assignee: **Illinois Tool Works Inc.**, Glenview, IL (US)

(**) Term: **14 Years**

(21) Appl. No.: **29/379,387**

(22) Filed: **Nov. 18, 2010**

(51) **LOC (9) Cl.** **02-07**

(52) **U.S. Cl.** **D11/216**

(58) **Field of Classification Search** D11/1-2,
D11/200-201, 206-210, 214-218; 24/163 R,
24/169-171, 173, 177-179, 191, 194-195,
24/197, 200, 614-616, 625; 240/169-171;
D3/318; 280/808

See application file for complete search history.

(56) **References Cited**

U.S. PATENT DOCUMENTS

D373,974 S * 9/1996 Anscher D11/216
5,832,572 A 11/1998 Howell

6,360,410 B1 * 3/2002 Lovato 24/662
6,678,925 B1 1/2004 Howell
D527,308 S * 8/2006 Buscart D11/216
D604,666 S * 11/2009 Fink D11/218
D627,684 S * 11/2010 Curtis et al. D11/216

* cited by examiner

Primary Examiner — Ralf Seifert

(74) *Attorney, Agent, or Firm* — Mark W. Croll; Paul F. Donovan

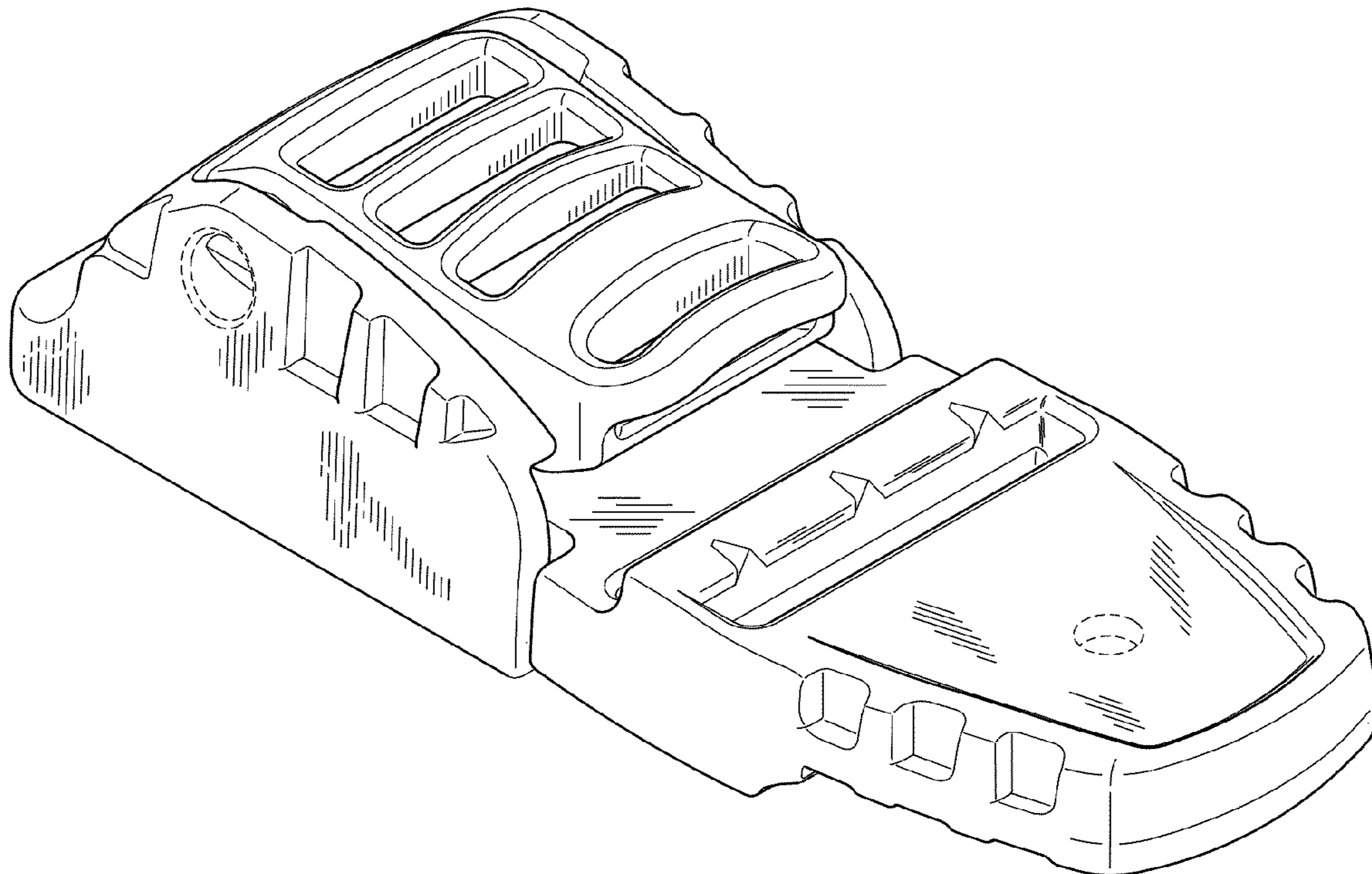
(57) **CLAIM**

The ornamental design for a buckle, as shown and described.

DESCRIPTION

FIG. 1 is a perspective view of the buckle showing the new design;
FIG. 2 is a top view thereof;
FIG. 3 is a bottom view thereof;
FIG. 4 is a front view thereof;
FIG. 5 is a back view thereof;
FIG. 6 is a right side view thereof; and,
FIG. 7 is a left side view thereof.
The broken lines are included for the purpose of illustrating portions of the buckle that form no part of the claimed design.

1 Claim, 4 Drawing Sheets



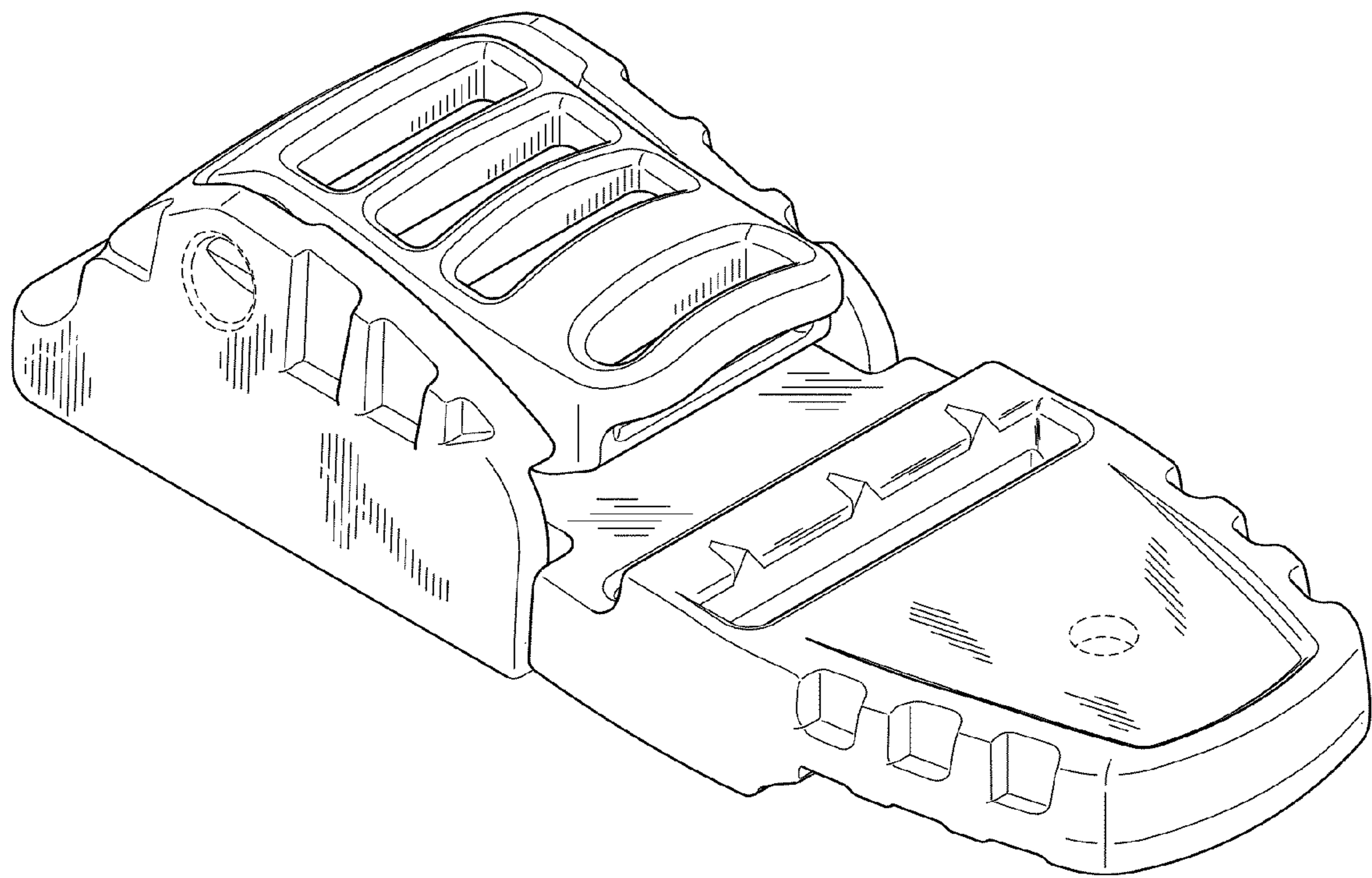


FIG. 1

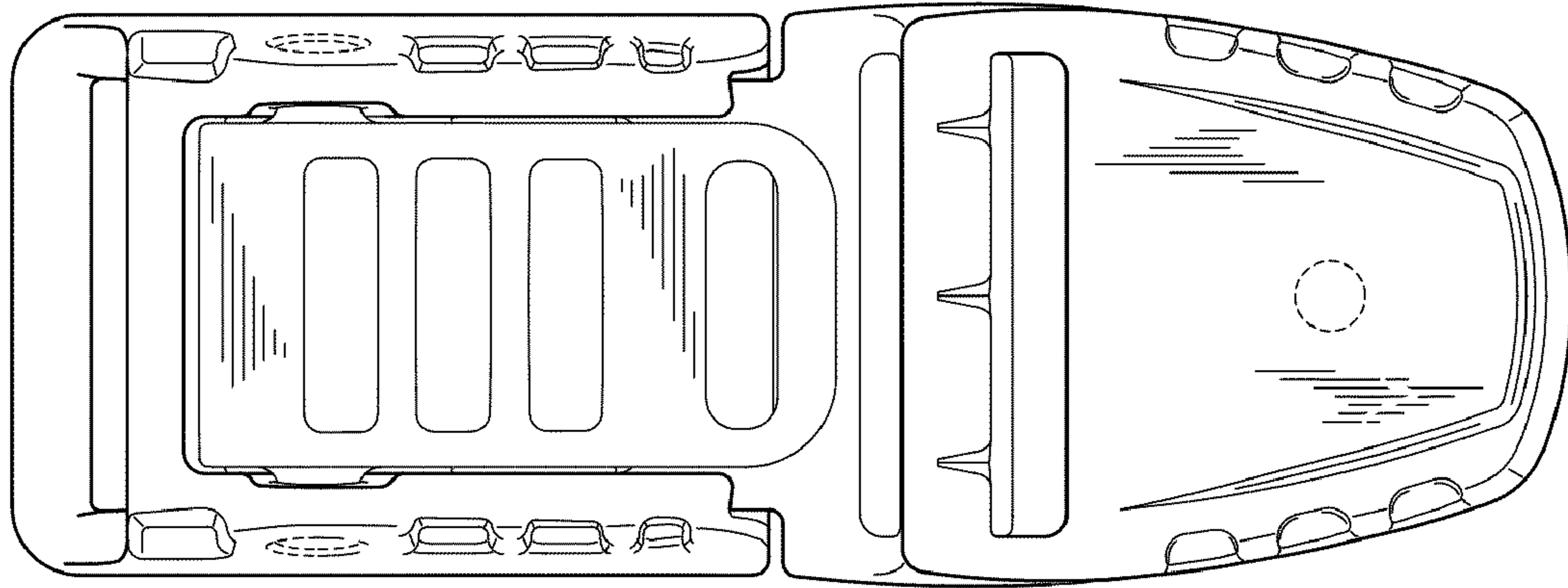


FIG. 2

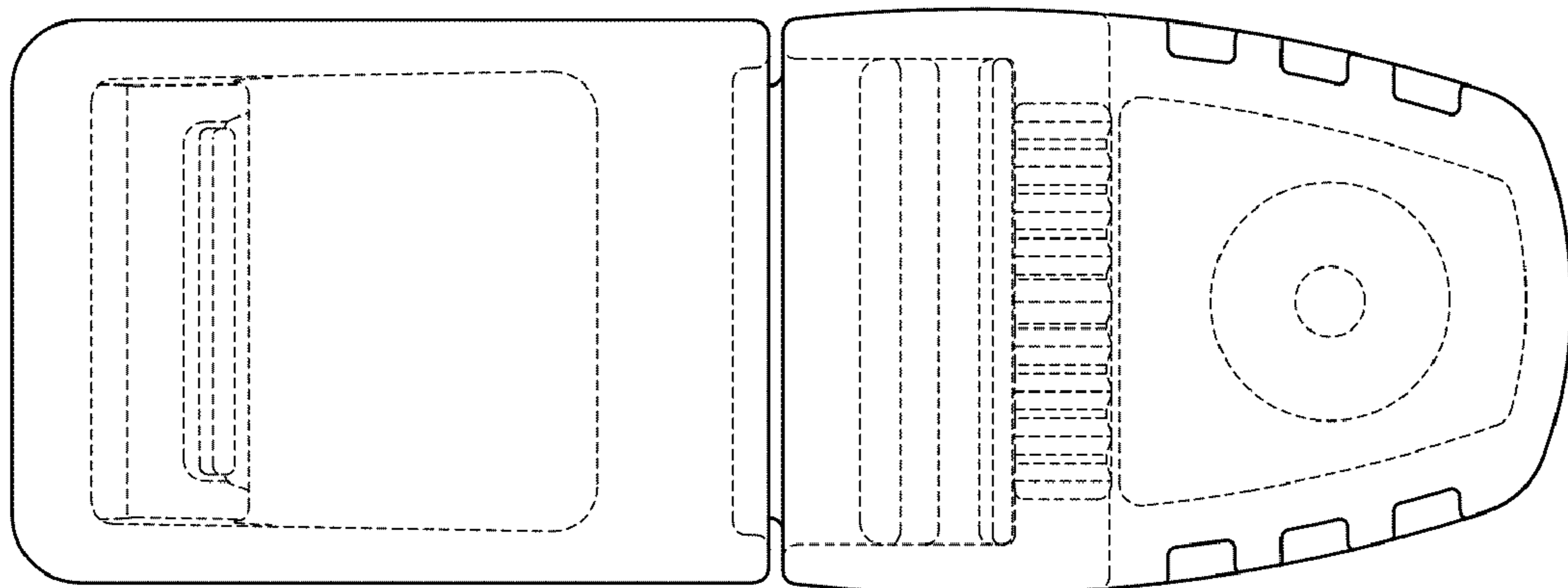


FIG. 3

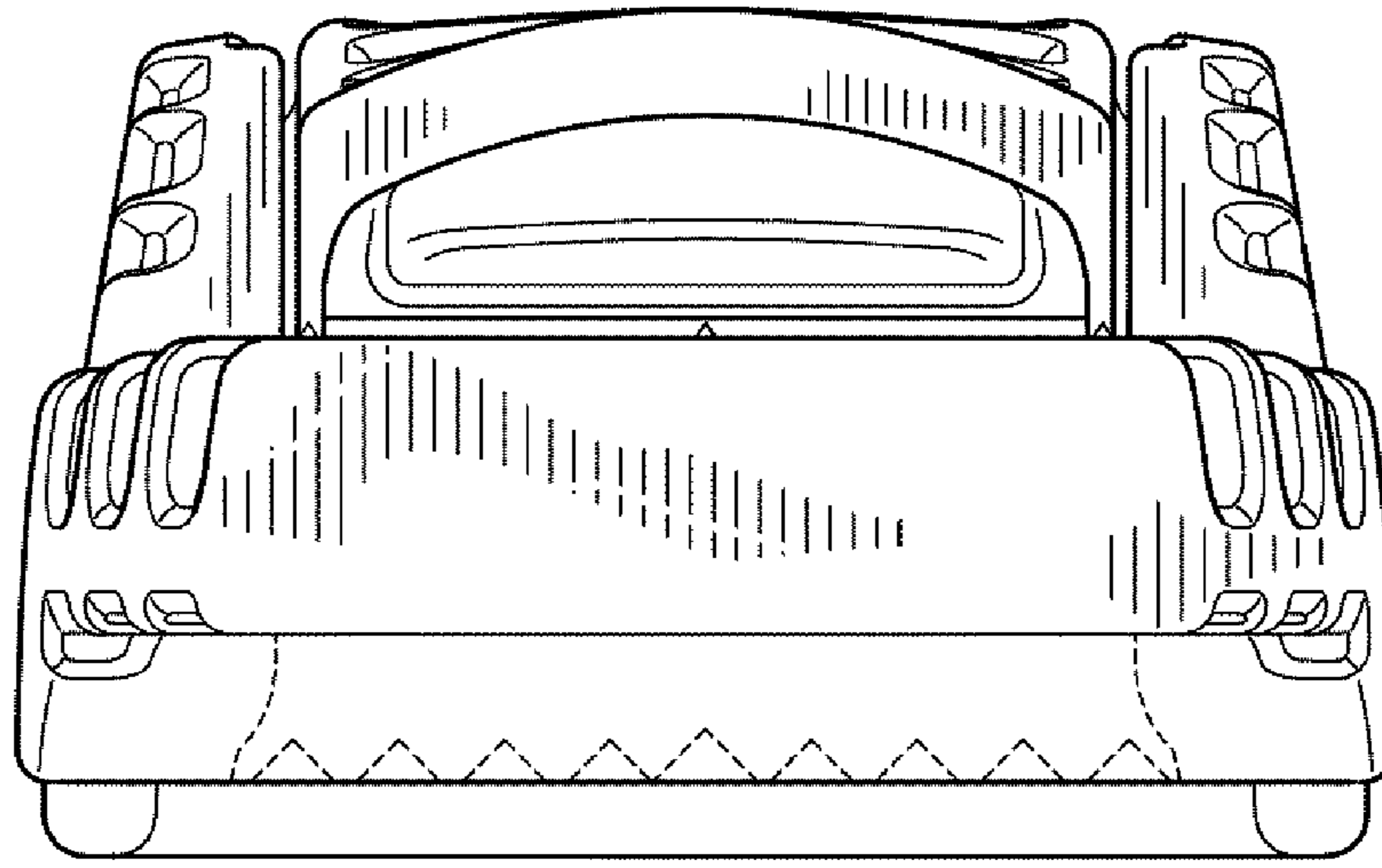


FIG. 4

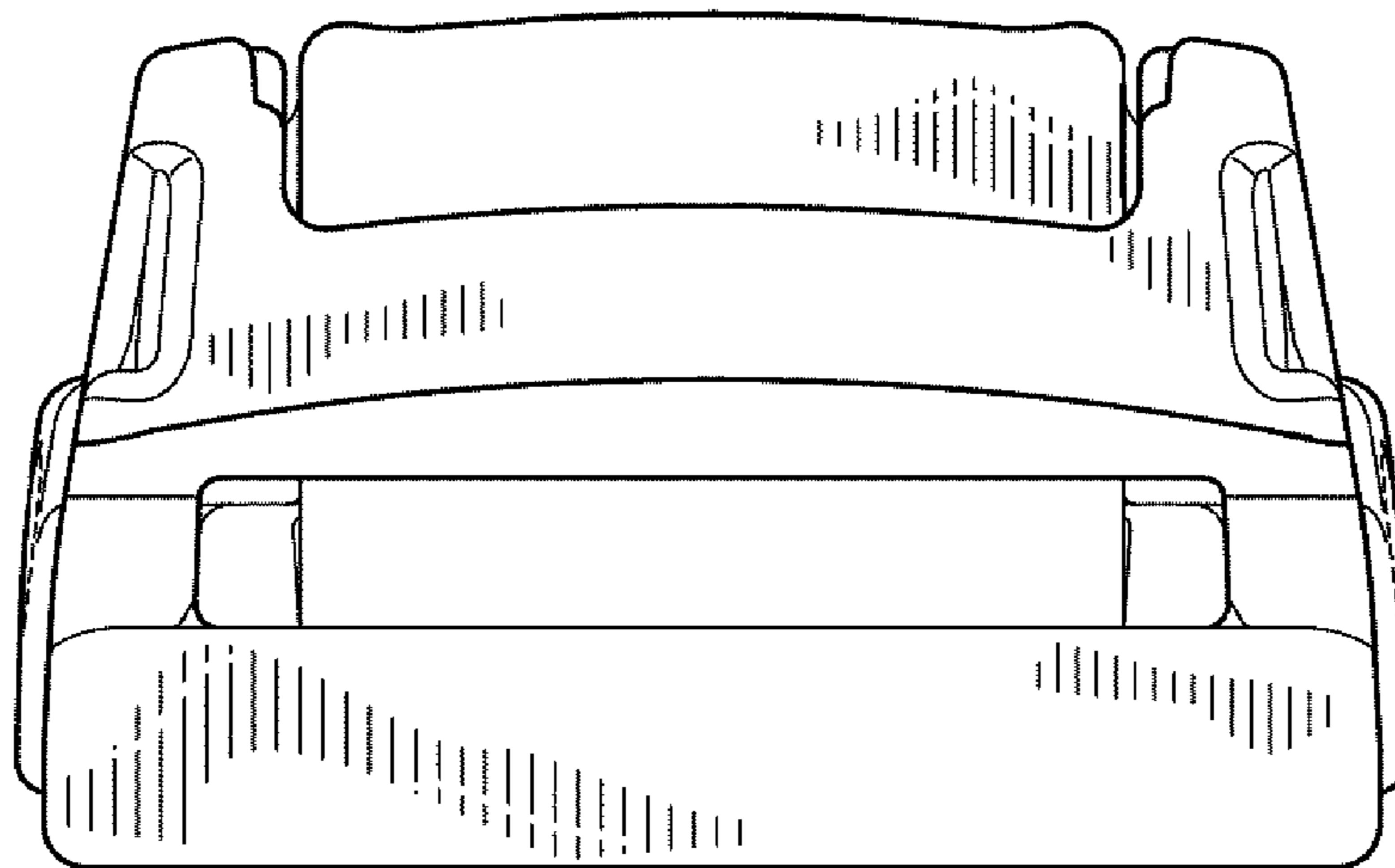


FIG. 5

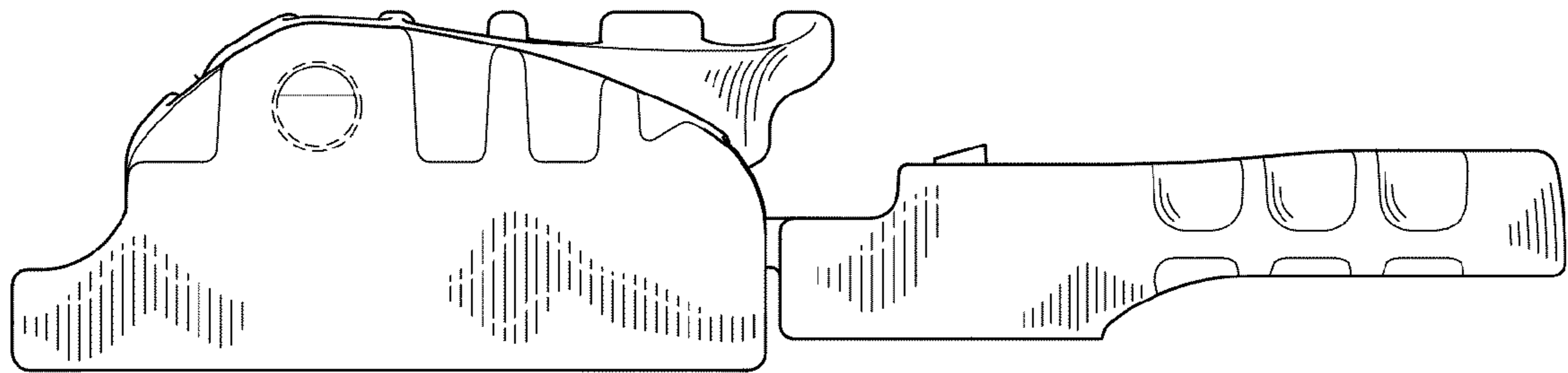


FIG. 6

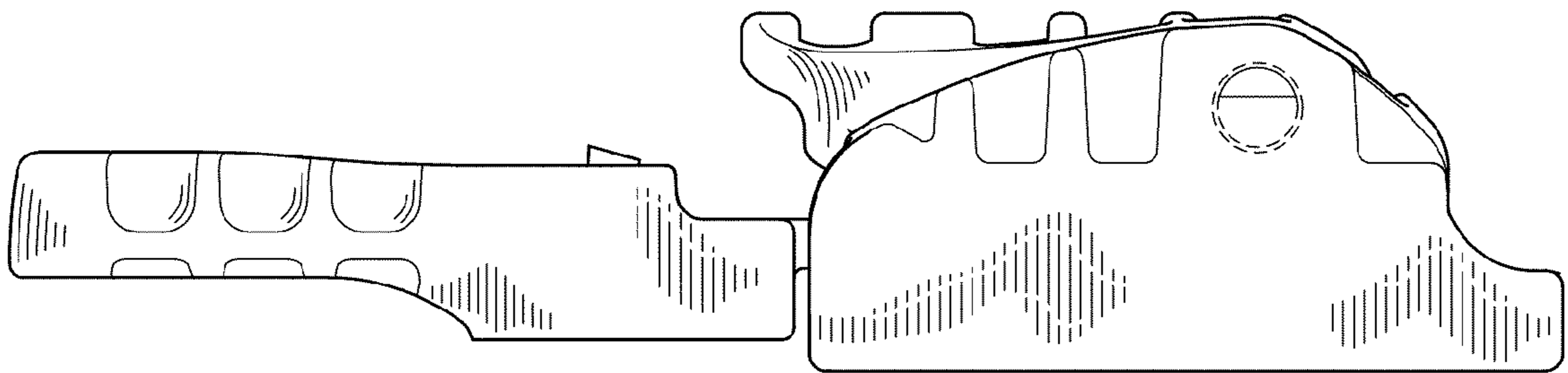


FIG. 7