



US00D649488S

(12) **United States Design Patent**  
**Deyaf**

(10) **Patent No.:** **US D649,488 S**

(45) **Date of Patent:** **\*\* \*Nov. 29, 2011**

(54) **EMERGENCY VEHICLE HALOGEN 360  
DEGREE ROTATING LIGHT-BAR**

(76) Inventor: **Ahmed Deyaf**, Richardson, TX (US)

(\* ) Notice: This patent is subject to a terminal disclaimer.

(\*\* ) Term: **14 Years**

(21) Appl. No.: **29/384,127**

(22) Filed: **Jan. 27, 2011**

(51) **LOC (9) Cl.** ..... **10-05**

(52) **U.S. Cl.** ..... **D10/114.4**

(58) **Field of Classification Search** ..... D10/114;  
D26/28, 35, 80-86; 362/542, 493, 480; 340/468  
See application file for complete search history.

(56) **References Cited**

**U.S. PATENT DOCUMENTS**

D262,659 S \* 1/1982 Latta et al. .... D26/35  
D291,870 S \* 9/1987 Urbanski et al. .... D10/114  
D312,425 S \* 11/1990 Foster ..... D10/114

D326,621 S \* 6/1992 Jincks et al. .... D10/114  
D345,315 S \* 3/1994 Green et al. .... D10/114  
5,452,188 A \* 9/1995 Green et al. .... 362/493  
D410,402 S \* 6/1999 Stein et al. .... D10/114  
D469,711 S \* 2/2003 Neufeglise et al. .... D10/114

\* cited by examiner

*Primary Examiner* — Caron D Veynar

*Assistant Examiner* — George D Kirschbaum

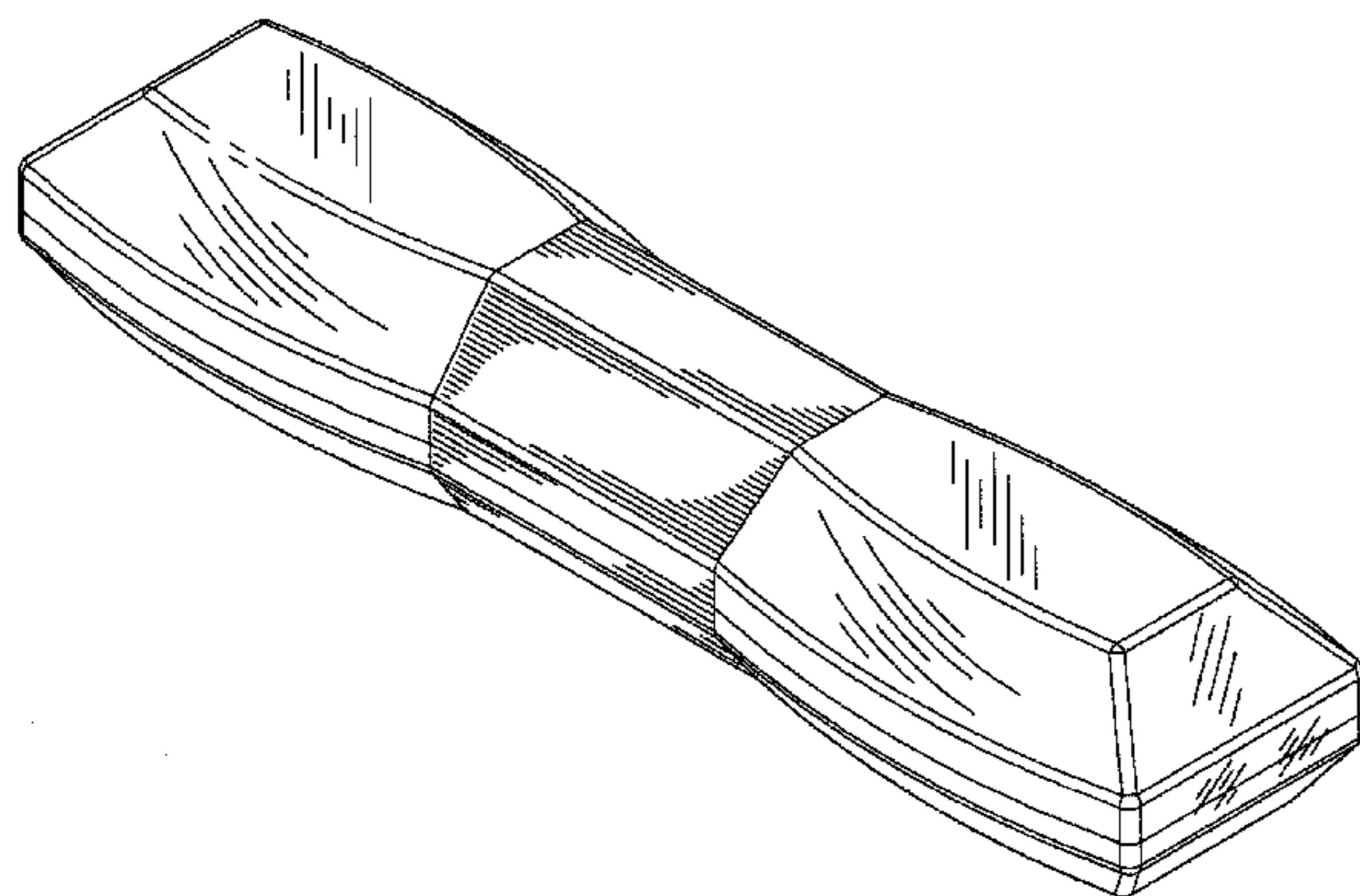
(57) **CLAIM**

The ornamental design for an emergency vehicle halogen 360 degree rotating light-bar, as shown.

**DESCRIPTION**

FIG. 1 is a perspective view of an emergency vehicle halogen 360 degree rotating light-bar showing my new design; FIG. 2 is a front view thereof; FIG. 3 is a back view thereof; FIG. 4 is a right side view thereof; FIG. 5 is a left view thereof; FIG. 6 is a top view thereof; and, FIG. 7 is a bottom view thereof.

**1 Claim, 4 Drawing Sheets**



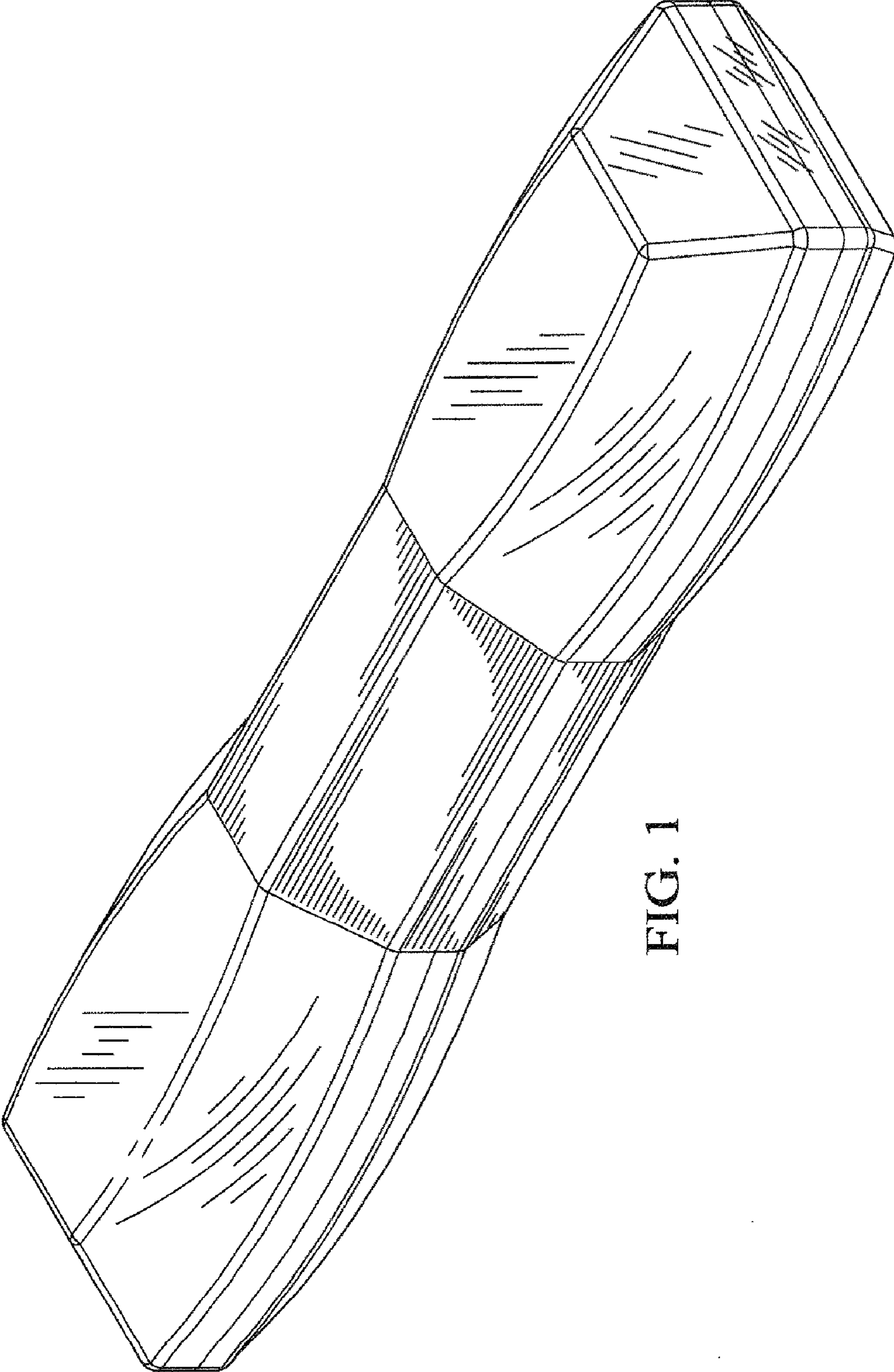


FIG. 1

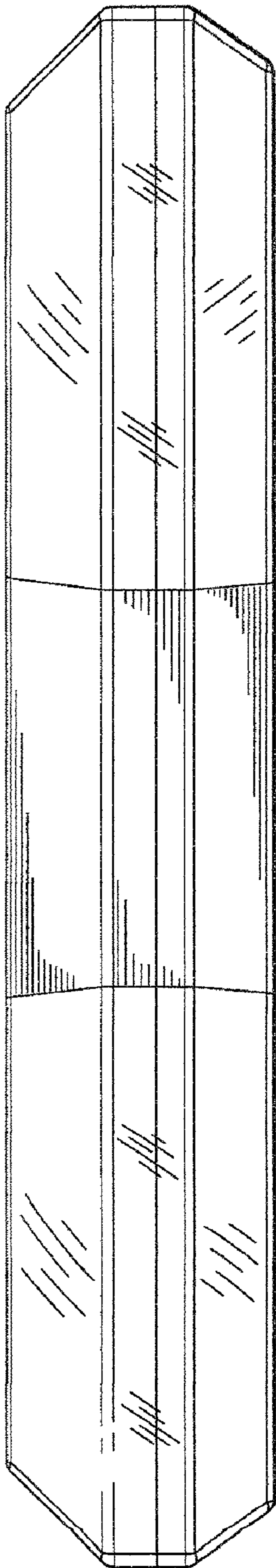


FIG. 2

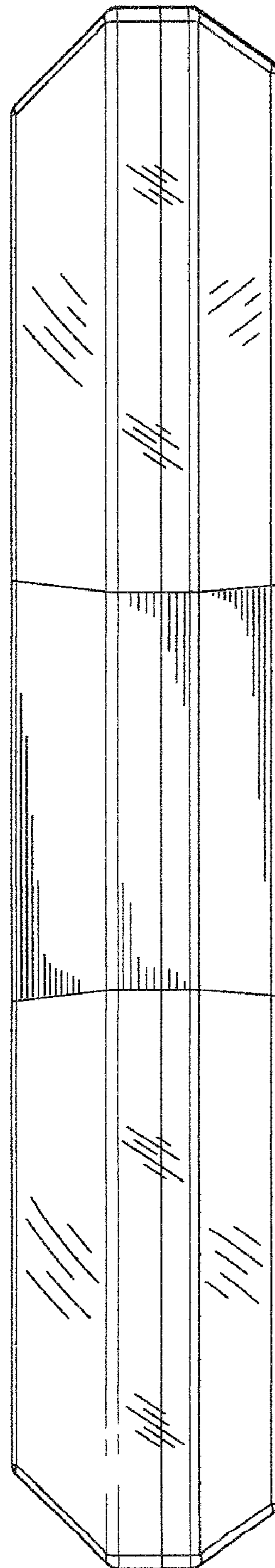


FIG. 3

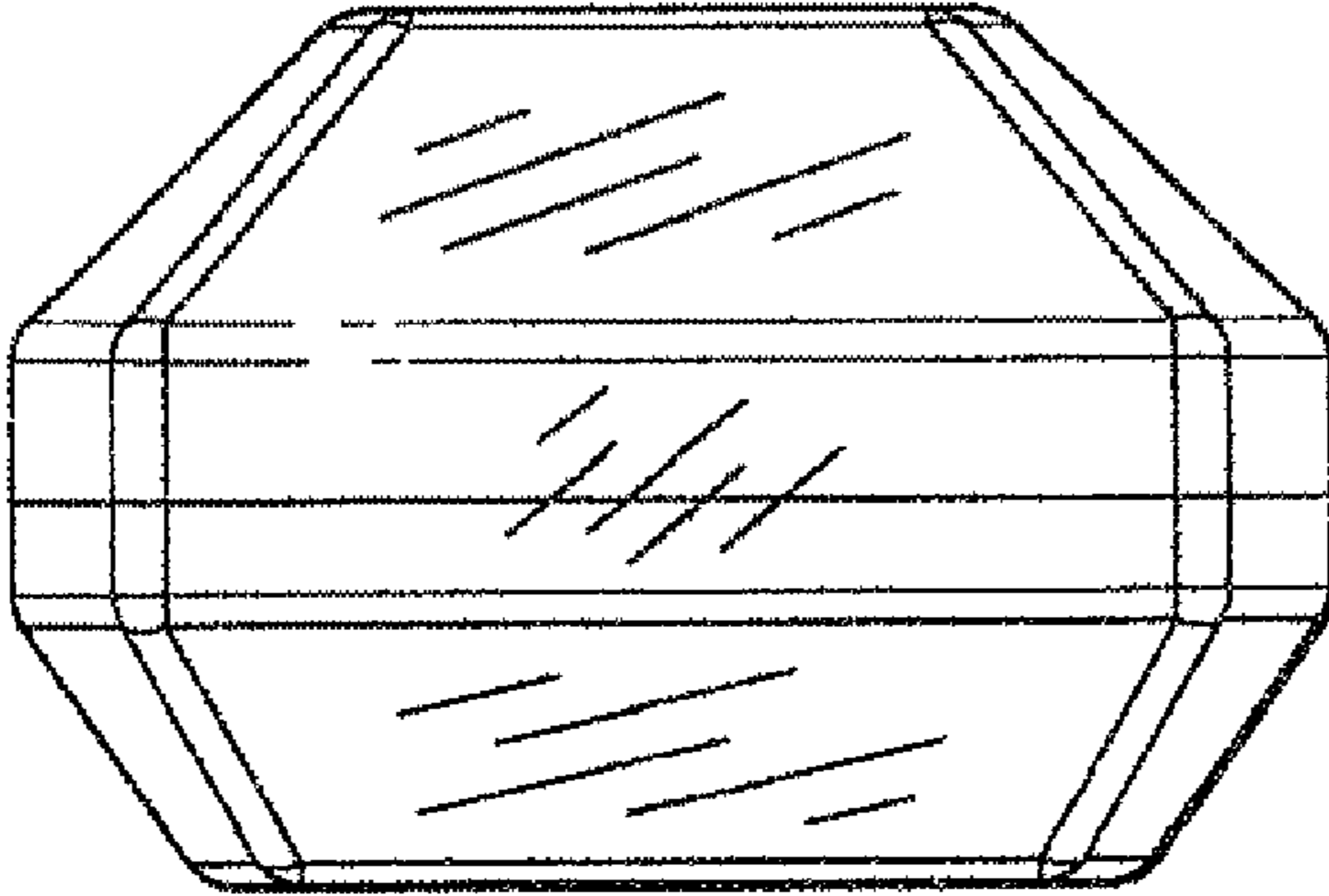


FIG. 4

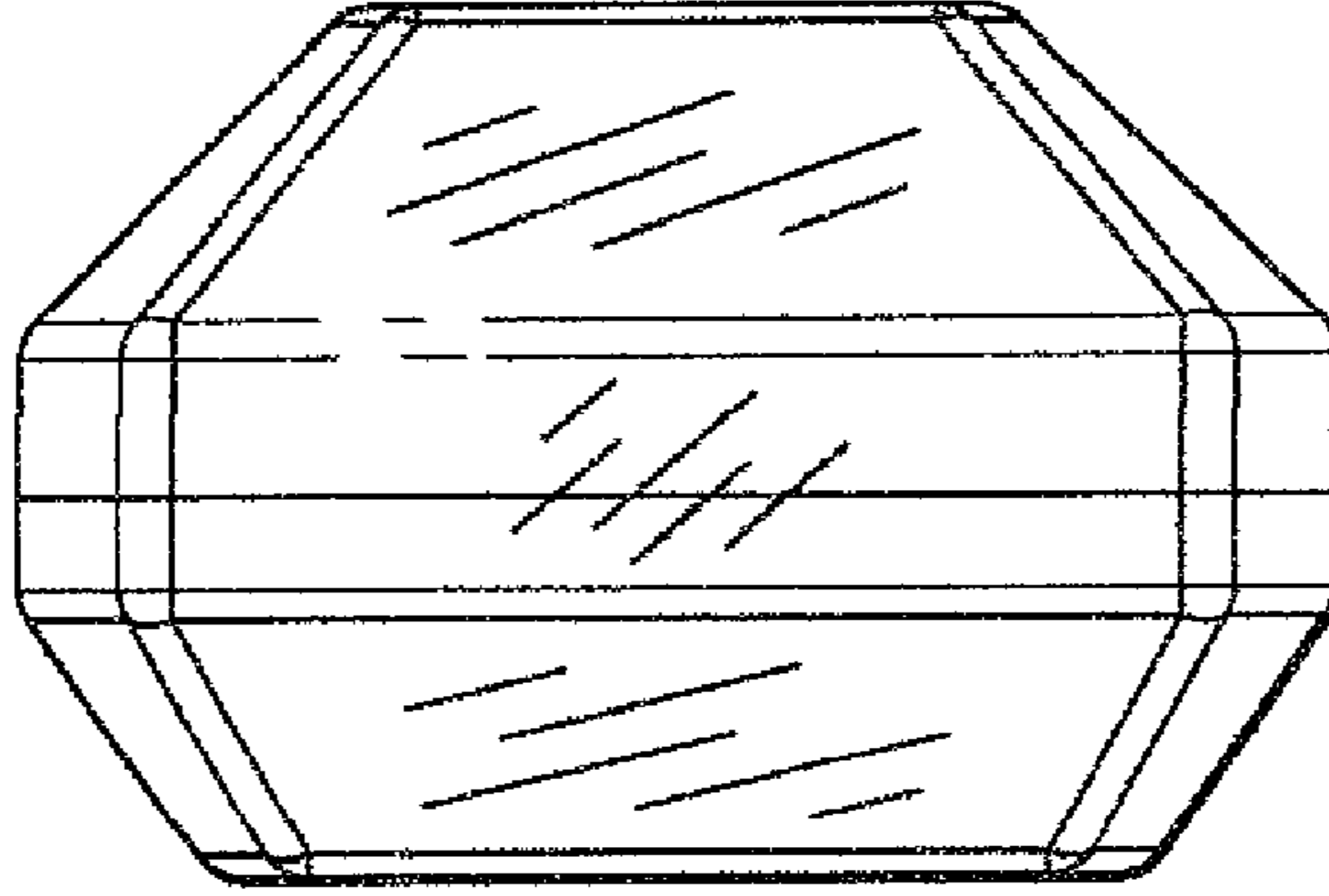


FIG. 5



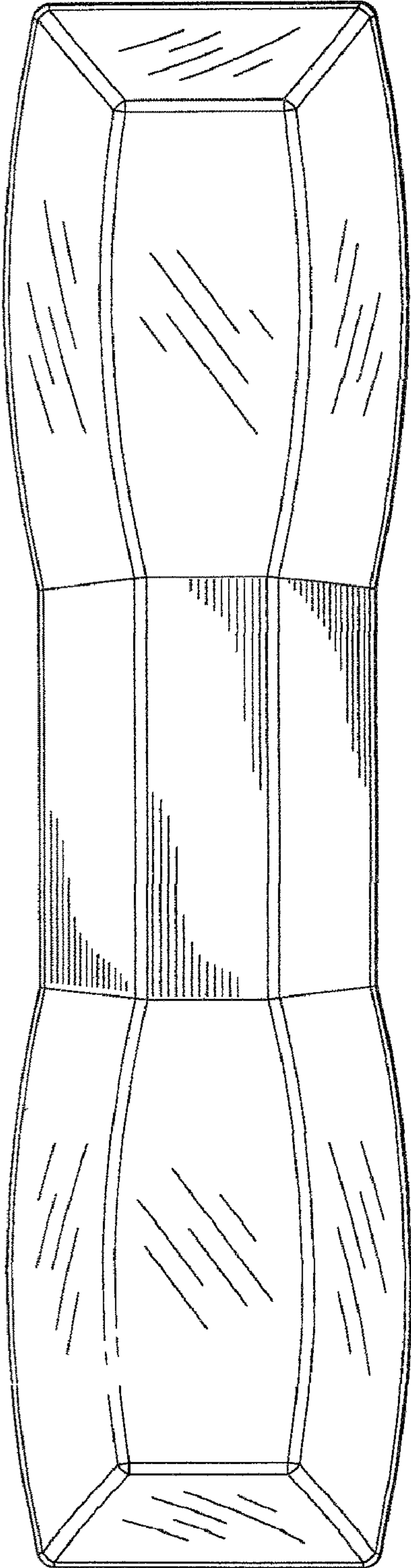


FIG. 6

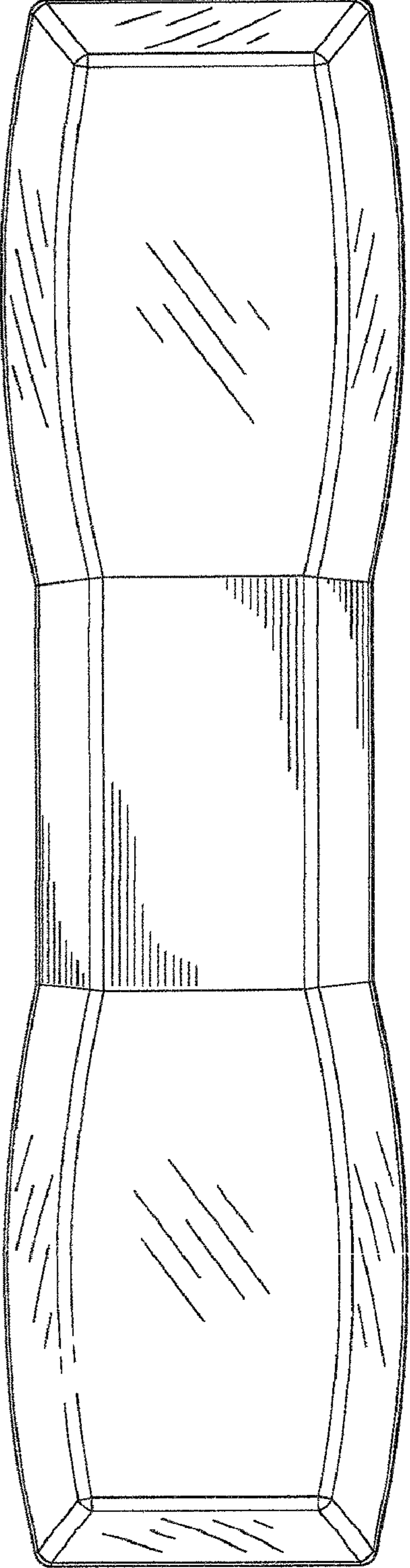


FIG. 7