



US00D649486S

(12) **United States Design Patent**
Daniels et al.

(10) **Patent No.:** **US D649,486 S**

(45) **Date of Patent:** **** Nov. 29, 2011**

(54) **ELECTRONIC TOKEN AND DATA CARRIER**

(75) Inventors: **Dean Daniels**, Rosemount, MN (US);
William Stifle, Rogers, MN (US)

(73) Assignee: **ATEK Products , LLC**, Brainerd, MN
(US)

(**) Term: **14 Years**

(21) Appl. No.: **29/339,903**

(22) Filed: **Jul. 9, 2009**

(51) **LOC (9) Cl.** **10-05**

(52) **U.S. Cl.** **D10/106.9**

(58) **Field of Classification Search** D10/106.9,
D10/106.91; D3/207; D14/299, 436, 480.1–480.7;
235/487–492; 194/205; 361/728–733

See application file for complete search history.

(56) **References Cited**

U.S. PATENT DOCUMENTS

D59,194 S	10/1921	Collins
2,057,532 A	10/1936	MacDonald
2,176,253 A	10/1939	Fogarty
2,312,204 A	2/1943	Weindel, Jr.
D140,669 S	3/1945	Moore
D161,490 S	1/1951	Moore
2,540,718 A	2/1951	Duskin
3,001,167 A	9/1961	Chesnutt et al.
3,122,996 A	3/1964	Heatwole
3,222,534 A	12/1965	Scott
3,500,326 A	3/1970	Benford
3,544,769 A	12/1970	Hedin
3,641,315 A	2/1972	Nagata et al.
3,641,498 A	2/1972	Hedin
3,644,745 A	2/1972	Bell
3,648,020 A	3/1972	Tateisi
3,651,464 A	3/1972	Hedin et al.
3,657,496 A	4/1972	Davidson
3,660,831 A	5/1972	Nicola
3,663,774 A	5/1972	Feder
3,673,467 A	6/1972	Eisenreich

3,678,250 A	7/1972	Dethloff et al.
3,686,659 A	8/1972	Bostrom
3,694,810 A	9/1972	Mullens et al.
3,702,464 A	11/1972	Castrucci
3,754,214 A	8/1973	Matsumoto et al.
3,757,305 A	9/1973	Hedin
3,761,892 A	9/1973	Bosnyak

(Continued)

FOREIGN PATENT DOCUMENTS

DE 10 60 961 7/1959

(Continued)

OTHER PUBLICATIONS

Lubachevsky, Boris D. et al. "Dense Packings of Congruent Circles in Rectangles with a Variable Aspect Ratio," arXiv:math/0405148 (May 2004).

(Continued)

Primary Examiner — Caron D Veynar

Assistant Examiner — George D Kirschbaum

(74) *Attorney, Agent, or Firm* — Dorsey & Whitney LLP

(57) **CLAIM**

The ornamental design for an electronic token and data carrier, as shown.

DESCRIPTION

FIG. 1 is a top perspective view of an electronic token and data carrier according to an embodiment of the present disclosure;

FIG. 2 is a top view thereof;

FIG. 3 is a bottom view thereof;

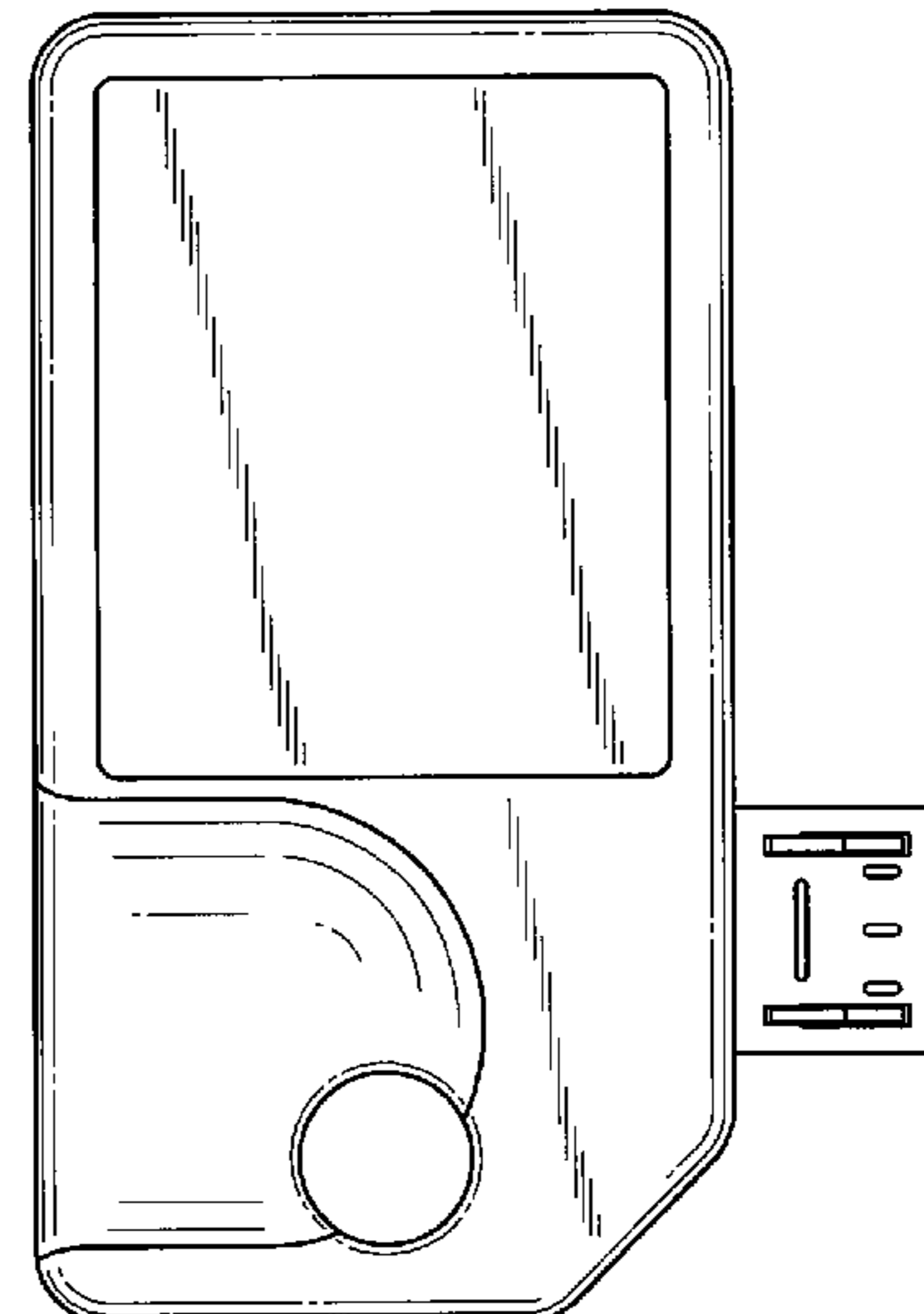
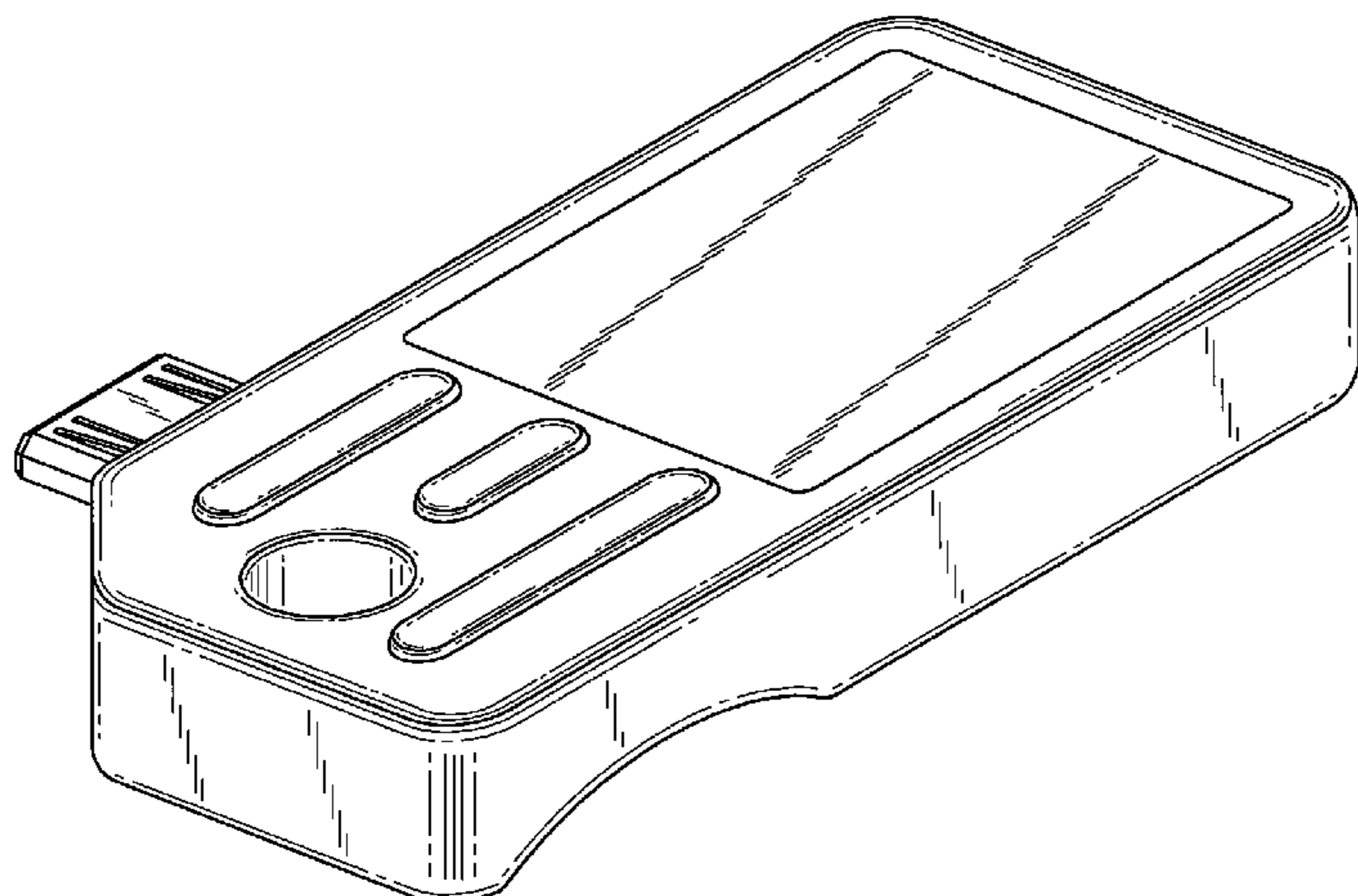
FIG. 4 is a front end view thereof;

FIG. 5 is a rear end view thereof;

FIG. 6 is a right side view thereof; and,

FIG. 7 is a left side view thereof.

1 Claim, 5 Drawing Sheets



U.S. PATENT DOCUMENTS

3,782,148 A 1/1974 Goldman
 3,806,882 A 4/1974 Clarke
 3,842,629 A 10/1974 Pazer et al.
 3,848,229 A 11/1974 Perron et al.
 3,859,634 A 1/1975 Perron et al.
 3,889,501 A 6/1975 Fort
 3,928,750 A 12/1975 Wolflingseder
 3,971,916 A 7/1976 Moreno
 4,023,161 A 5/1977 Sasaki
 4,050,063 A 9/1977 Schull
 4,085,394 A 4/1978 Weisenburger
 4,176,782 A 12/1979 Fukuda et al.
 4,211,919 A 7/1980 Ugon
 4,225,758 A 9/1980 Kondo et al.
 4,297,569 A 10/1981 Files
 4,317,957 A 3/1982 Sendrow
 4,326,125 A 4/1982 Files
 D265,049 S 6/1982 Flies
 4,333,328 A 6/1982 Platt
 4,355,856 A 10/1982 Porter
 4,379,966 A 4/1983 Flies
 4,420,794 A 12/1983 Anderson
 4,432,218 A 2/1984 Hoener
 4,436,993 A 3/1984 Files
 4,448,466 A 5/1984 Porter
 D274,126 S 6/1984 Flies
 4,461,525 A 7/1984 Griffin
 4,463,218 A 7/1984 Suzuki
 4,466,680 A 8/1984 Sakai et al.
 D278,836 S 5/1985 Flies
 4,522,456 A 6/1985 Wehrmacher
 D279,586 S 7/1985 Flies
 4,549,076 A 10/1985 Flies
 4,572,679 A 2/1986 Dorr
 4,578,573 A 3/1986 Flies et al.
 4,620,088 A 10/1986 Flies et al.
 4,631,943 A 12/1986 Hoener
 4,659,915 A 4/1987 Flies
 4,663,952 A 5/1987 Gelhard
 D291,897 S 9/1987 Flies
 4,752,679 A 6/1988 Wehrmacher
 4,791,257 A 12/1988 Frey et al.
 D302,238 S 7/1989 Kopu
 4,924,686 A 5/1990 Vonlanthen
 4,943,708 A 7/1990 Simmons et al.
 4,947,662 A 8/1990 Imedio
 D321,691 S 11/1991 Brenda et al.
 D322,387 S 12/1991 Bailey
 5,073,703 A 12/1991 Wehrmacher
 5,157,244 A 10/1992 Mroczkowski et al.
 D332,045 S 12/1992 Moore
 5,186,031 A 2/1993 Janssen et al.
 5,195,341 A 3/1993 Nieuwkoop
 5,204,663 A 4/1993 Lee
 5,109,972 A 6/1993 Van Horn et al.
 5,250,986 A 10/1993 Axten et al.
 D345,686 S 4/1994 Boehner
 5,337,588 A 8/1994 Chhatwal
 5,422,634 A 6/1995 Okubo
 5,432,510 A 7/1995 Matthews
 5,507,162 A 4/1996 Chhatwal
 5,526,662 A 6/1996 Diekoff et al.
 D375,299 S 11/1996 Fekete et al.
 5,625,349 A 4/1997 Disbrow et al.
 5,632,168 A 5/1997 Yano
 5,685,182 A 11/1997 Chhatwal
 D388,722 S 1/1998 Wilson
 5,758,529 A 6/1998 Chhatwal
 5,831,520 A 11/1998 Stephan
 5,831,827 A 11/1998 Fekete et al.
 5,834,747 A 11/1998 Cooper
 5,836,187 A 11/1998 Janssen et al.
 5,841,637 A 11/1998 Chhatwal
 5,923,264 A 7/1999 Lavelle et al.
 5,949,047 A 9/1999 Abe et al.
 6,000,258 A 12/1999 Lesko
 6,035,677 A 3/2000 Janssen et al.
 6,078,265 A 6/2000 Bonder et al.

6,087,265 A 7/2000 Hwang
 6,092,404 A 7/2000 Chhatwal
 6,218,955 B1 4/2001 Conklin
 6,227,019 B1 5/2001 Chhatwal
 6,296,190 B1 10/2001 Randleman
 6,354,122 B1 3/2002 Snoke
 6,384,709 B2 5/2002 Mellen et al.
 D460,012 S 7/2002 Proulx et al.
 6,414,586 B1 7/2002 Yoshizawa
 6,425,084 B1 7/2002 Rallis et al.
 6,486,793 B1 11/2002 Buccola
 6,604,087 B1 8/2003 Kolls
 D502,418 S 3/2005 Copen
 D512,060 S 11/2005 Wang et al.
 D518,030 S 3/2006 Lin
 D519,099 S 4/2006 Liu et al.
 7,109,863 B2 9/2006 Morrison
 D532,783 S 11/2006 Yu
 D534,414 S 1/2007 Stifle et al.
 7,158,008 B2 1/2007 Waring
 D540,749 S 4/2007 Kaule
 D551,215 S 9/2007 Lee et al.
 D552,613 S 10/2007 Tan
 D557,588 S 12/2007 Stifle et al.
 D559,249 S * 1/2008 Takei D14/480.6
 7,407,390 B1 8/2008 Ni
 D587,719 S 3/2009 Tate et al.
 D594,871 S * 6/2009 Ma D14/480.6
 D599,795 S * 9/2009 Lindley D14/358
 7,597,250 B2 * 10/2009 Finn 235/380
 D603,601 S 11/2009 Ohta et al.
 D626,022 S 10/2010 Sayegh et al.
 D626,963 S 11/2010 Kim
 2002/0025062 A1 2/2002 Black
 2003/0184432 A1 10/2003 Waring et al.
 2003/0195585 A1 10/2003 Gruzdowich et al.
 2006/0186990 A1 8/2006 Yamamoto et al.
 2006/0219776 A1 10/2006 Finn
 2006/0246784 A1 11/2006 Aekins et al.
 2008/0074235 A1 * 3/2008 Wong et al. 340/5.22
 2008/0304712 A1 12/2008 Rowe et al.
 2010/0193583 A1 * 8/2010 Tartavull et al. 235/375

FOREIGN PATENT DOCUMENTS

DE 36 20 755 12/1987
 DE 43 30 017 3/1995
 EP 0 367 433 A1 5/1990
 EP 0 793 188 9/1997
 EP 1 213 417 6/2002
 FR 1 321 529 2/1962
 FR 2 146 802 3/1973
 FR 2363837 3/1978
 FR 2 654 556 5/1991
 FR 2 723 655 2/1996
 FR 2 775 373 8/1999
 GB 1 427 825 3/1973
 GB 2 073 808 10/1981
 SU 639056 12/1978
 WO 1983/00976 3/1983
 WO 1998/034218 8/1998
 WO 2001/42598 6/2001
 WO 2002/09311 1/2002
 WO 2009/012495 1/2009
 WO 2009/029864 3/2009
 WO 2010/088556 A1 8/2010

OTHER PUBLICATIONS

Lubachevsky, Boris D. et al. "Minimum Perimeter Rectangles That Enclose Congruent Non-Overlapping Circles," *Discrete Mathematics*, vol. 309, pp. 1947-1962 (2009).
 Weisstein, Eric W. "Circle Packing," *MathWorld*—A Wolfram Web Resource, <http://mathworld.wolfram.com/CirclePacking.html>. [Retrieved on Jul. 9, 2011.] Retrieved from the Internet: <URL: <http://mathworld.wolfram.com/CirclePacking.html>>.
 Supplemental European Search Report dated May 27, 2011, for corresponding EP Application No. 08782145.0.

Advanced Portable Information Products, *Datakey Brochure*, 1999.
DataTic™ *Datakey Brochure*, 2000.

“2KBIT Read/Write with Anticollision Contactless Identification Device EM4056”, *EM Microelectronic-Marin SA*, Informational Brochure, 13 pgs., 2001.

“Read Only Contactless Identification Device H4102”, Swatch Group, 6 pgs., 2000.

“Read/Write Transponder Device Family”, Atmel Wireless & μ C, 2 pgs., 2001.

“Read/Write IDIC Micromodule with 1 Kbit Memory T5552”, Atmel Wireless & μ C, 12 pgs., May 1, 2001.

“Standard R/W/IDIC with Integrated Capacitance T554”, Atmel Wireless & μ C, 19 pgs., Sep. 3, 2001 .

“Multifunctional 330-bit Read/Write RF-Identification IC T557”, Atmel, 24 pgs., Dec. 11, 2001.

iDTAG, Gang Programmer for Datakey Key/Slim Modules (SPI, Microwire & IIC Bus), 6 pgs., Nov. 29, 2001.

DataKey Guardian “Marina Access Control”, *Datakey Brochure*, (2 pgs.), Mar. 29, 2002.

DataKey QuikPay, *DataKey Brochure* (2 pgs.), Mar. 29, 2002.

Philps. Appendix RF Manual 6th Edition, document order No. 9397 750 15125, May 2005.

* cited by examiner

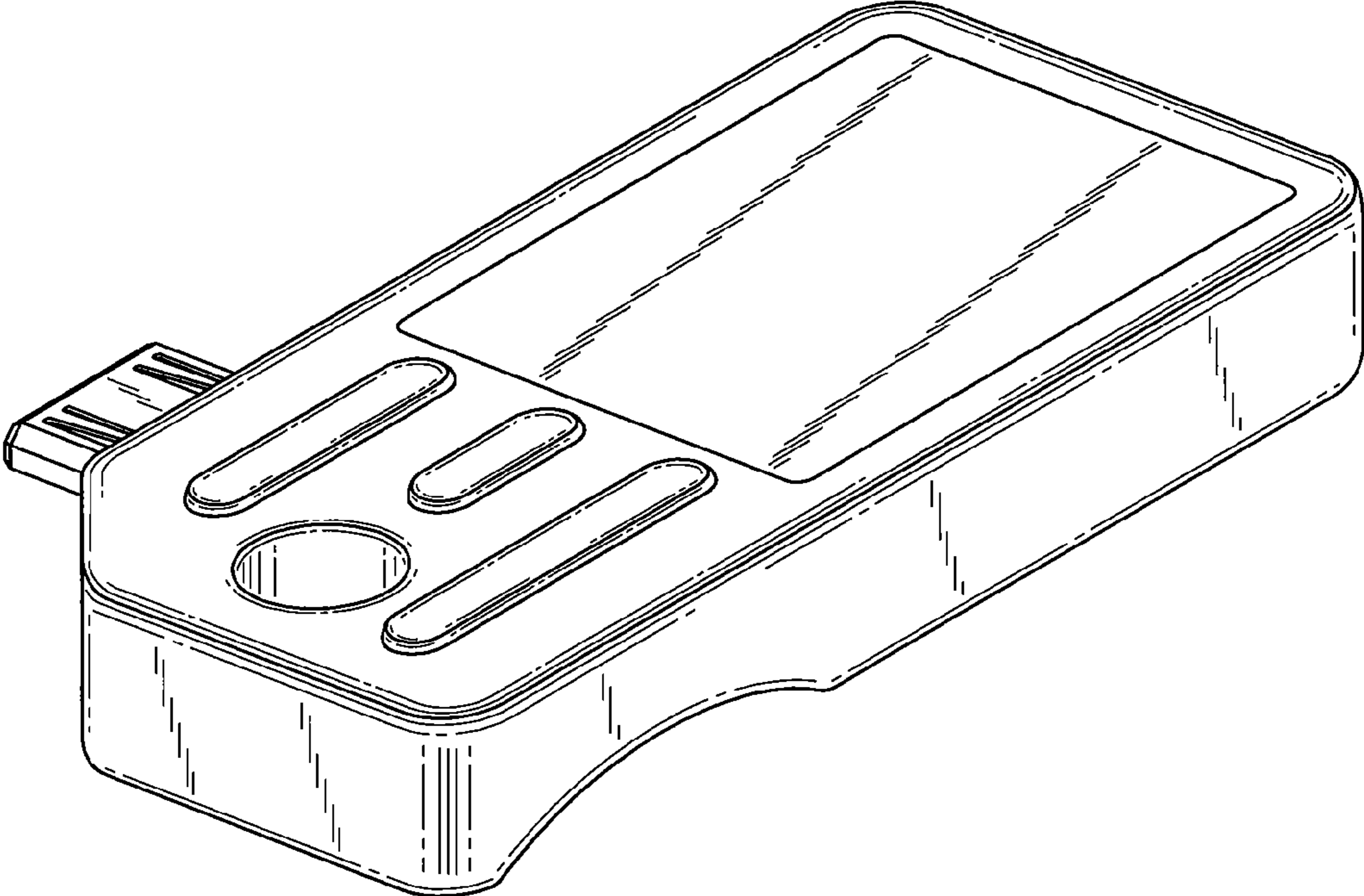


Fig. 1

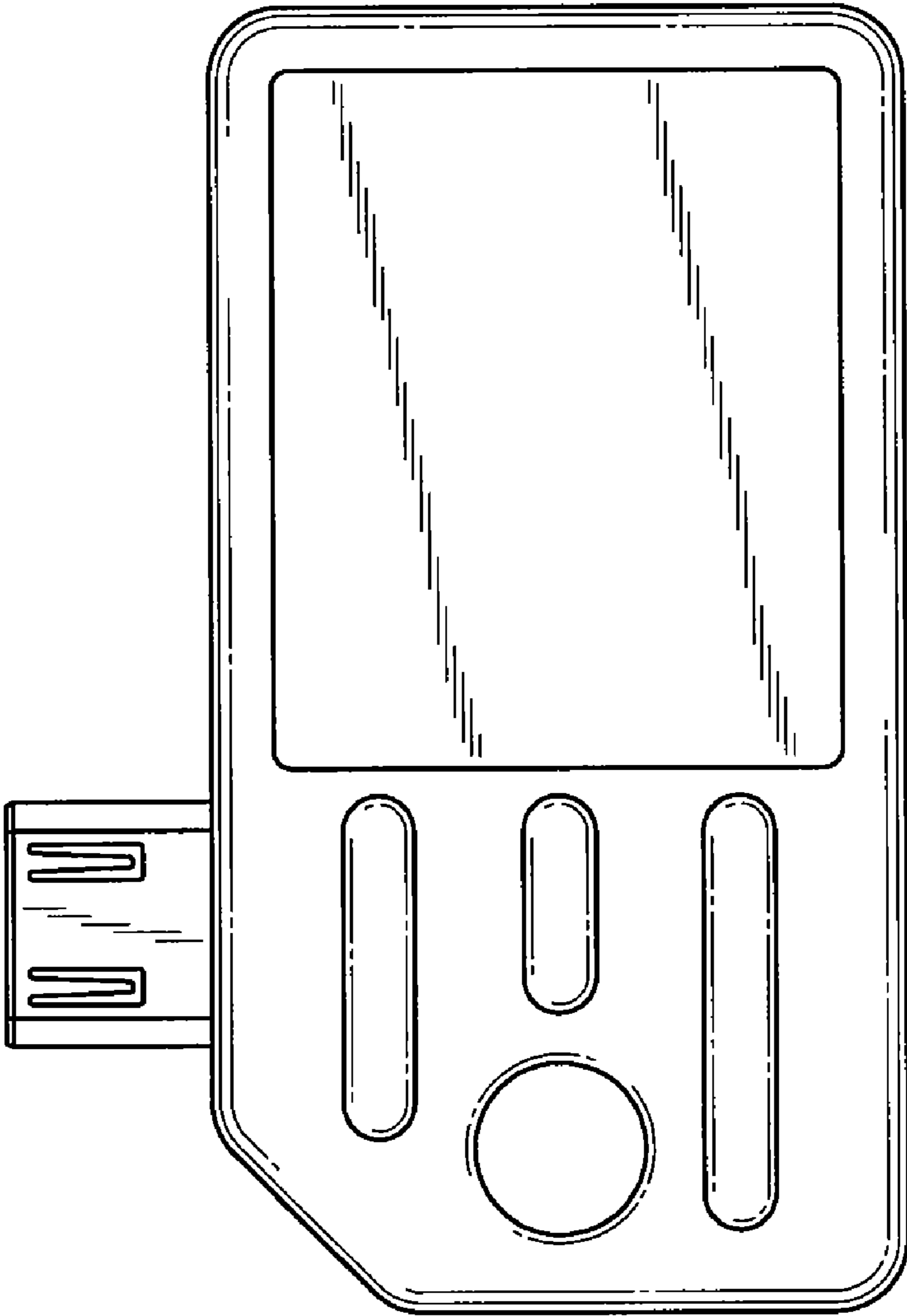


Fig. 2

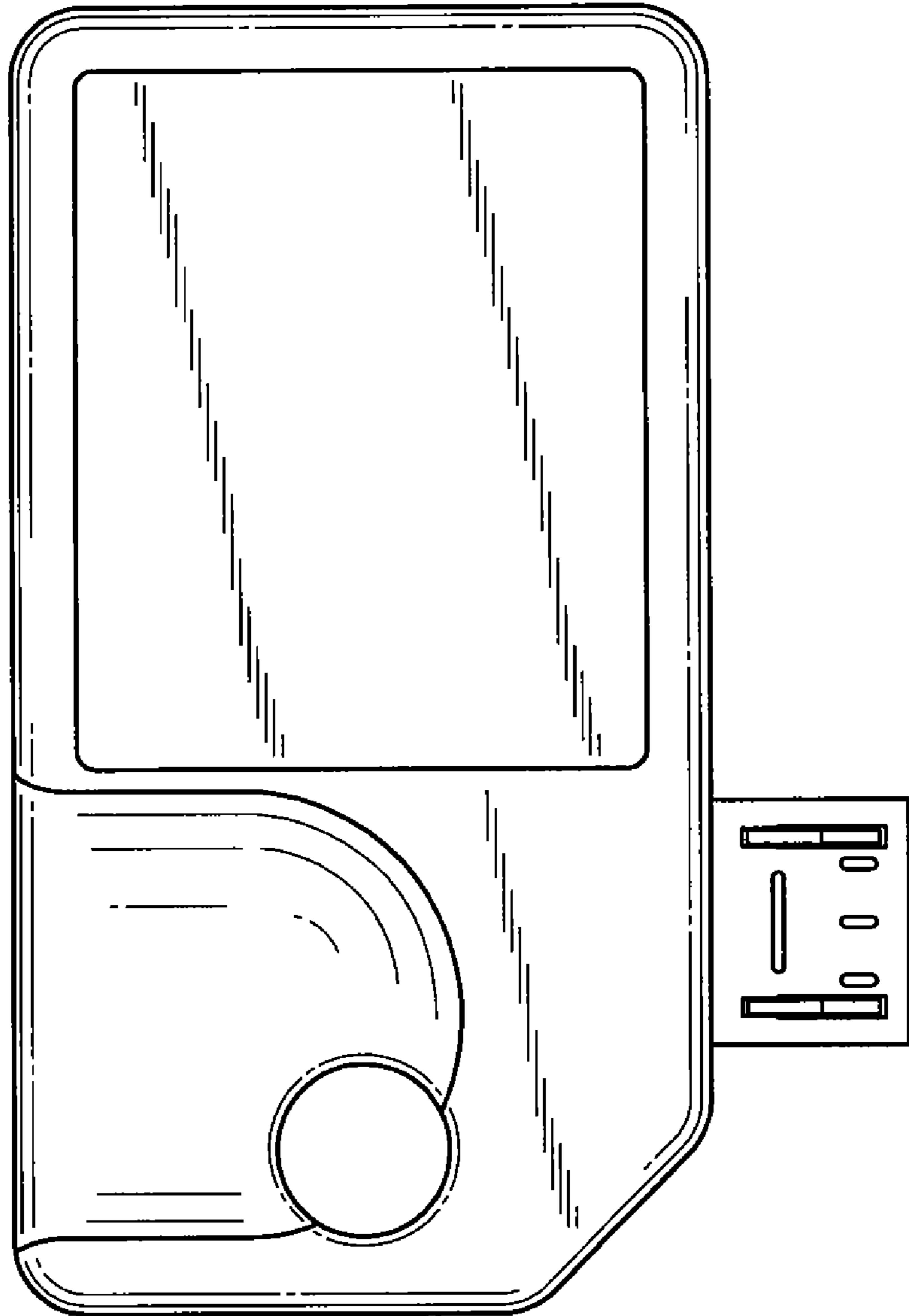


Fig. 3

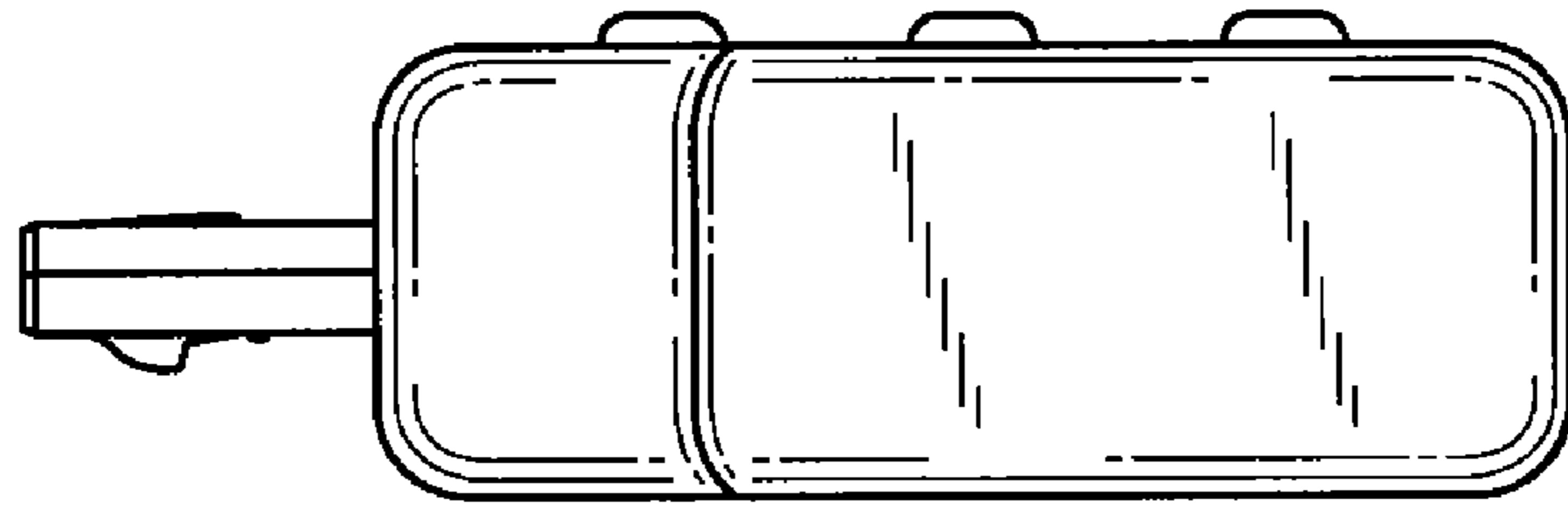


Fig. 4

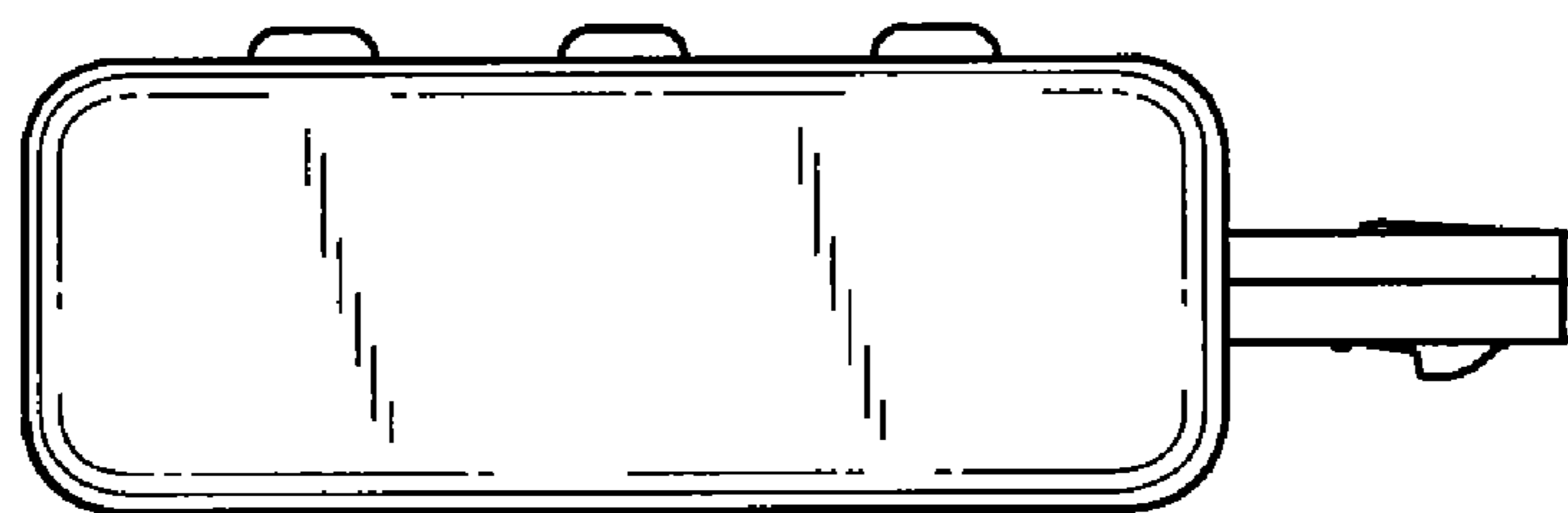


Fig. 5

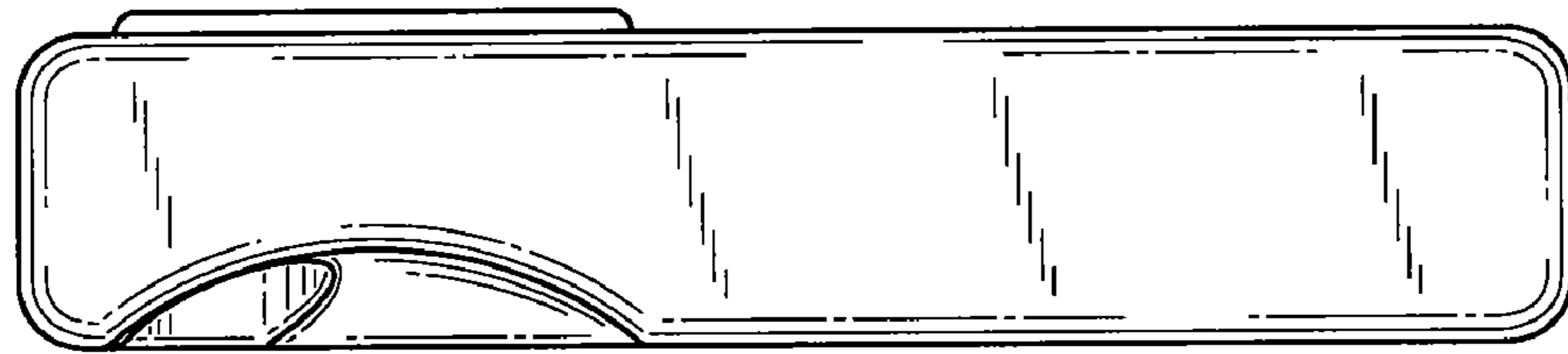


Fig. 6

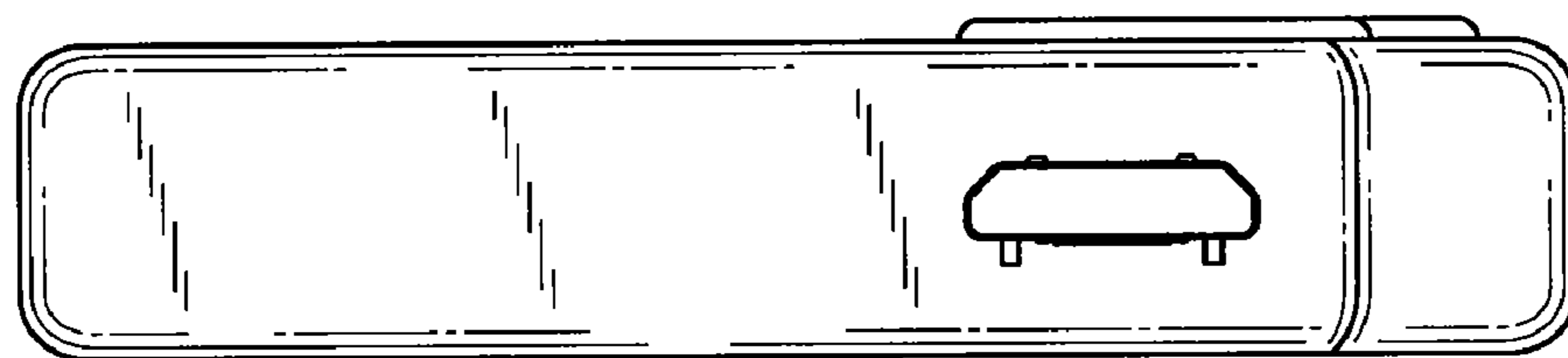


Fig. 7

UNITED STATES PATENT AND TRADEMARK OFFICE
CERTIFICATE OF CORRECTION

PATENT NO. : D649,486 S
APPLICATION NO. : 29/339903
DATED : November 29, 2011
INVENTOR(S) : Dean Daniels

Page 1 of 1

It is certified that error appears in the above-identified patent and that said Letters Patent is hereby corrected as shown below:

Column	Line	PTO	Should Read
Cover Page	Description	“data carrier according to”	-- data carrier with micro-USB port connector according to --
Cover Page	Claim	“data carrier, as shown”	-- data carrier with micro-USB port connector, as shown --

Signed and Sealed this
Twenty-seventh Day of March, 2012



David J. Kappos
Director of the United States Patent and Trademark Office