



US00D649485S

(12) **United States Design Patent**
Ferriño et al.

(10) **Patent No.:** **US D649,485 S**

(45) **Date of Patent:** **** Nov. 29, 2011**

(54) **TAG ENCLOSING STRUCTURE**

(75) Inventors: **Victor Manuel Arocha Ferriño**,
Huixquilucan (MX); **Israel Ramirez**
Ayon, Atizapán de Zaragoza (MX)

(73) Assignee: **RFID Mexico, S.A. DE C.V.**, Nuevo
Leon (MX)

(**) Term: **14 Years**

(21) Appl. No.: **29/330,220**

(22) Filed: **Dec. 31, 2008**

(51) **LOC (9) Cl.** **10-05**

(52) **U.S. Cl.** **D10/106.9**

(58) **Field of Classification Search** D10/106.9,
D10/106.91; D8/354, 356, 364, 373, 380;
D13/137.1, 137.2, 138.1; 340/572.8, 572.1,
340/578.9, 568.1, 825.54

See application file for complete search history.

(56) **References Cited**

U.S. PATENT DOCUMENTS

D369,116	S	*	4/1996	Martins	D10/106.9
D540,257	S	*	4/2007	Ivanova et al.	D13/137.2
D623,136	S	*	9/2010	Andre et al.	D13/138.1
D627,728	S	*	11/2010	Smith et al.	D13/138.1
2009/0207026	A1	*	8/2009	Banerjee et al.	340/572.7

* cited by examiner

Primary Examiner — Caron D Veynar

Assistant Examiner — George D Kirschbaum

(74) *Attorney, Agent, or Firm* — Young & Thompson

(57) **CLAIM**

The ornamental design for a tag enclosing structure, as shown and described.

DESCRIPTION

FIG. 1. is a right perspective view of the tag enclosing structure.

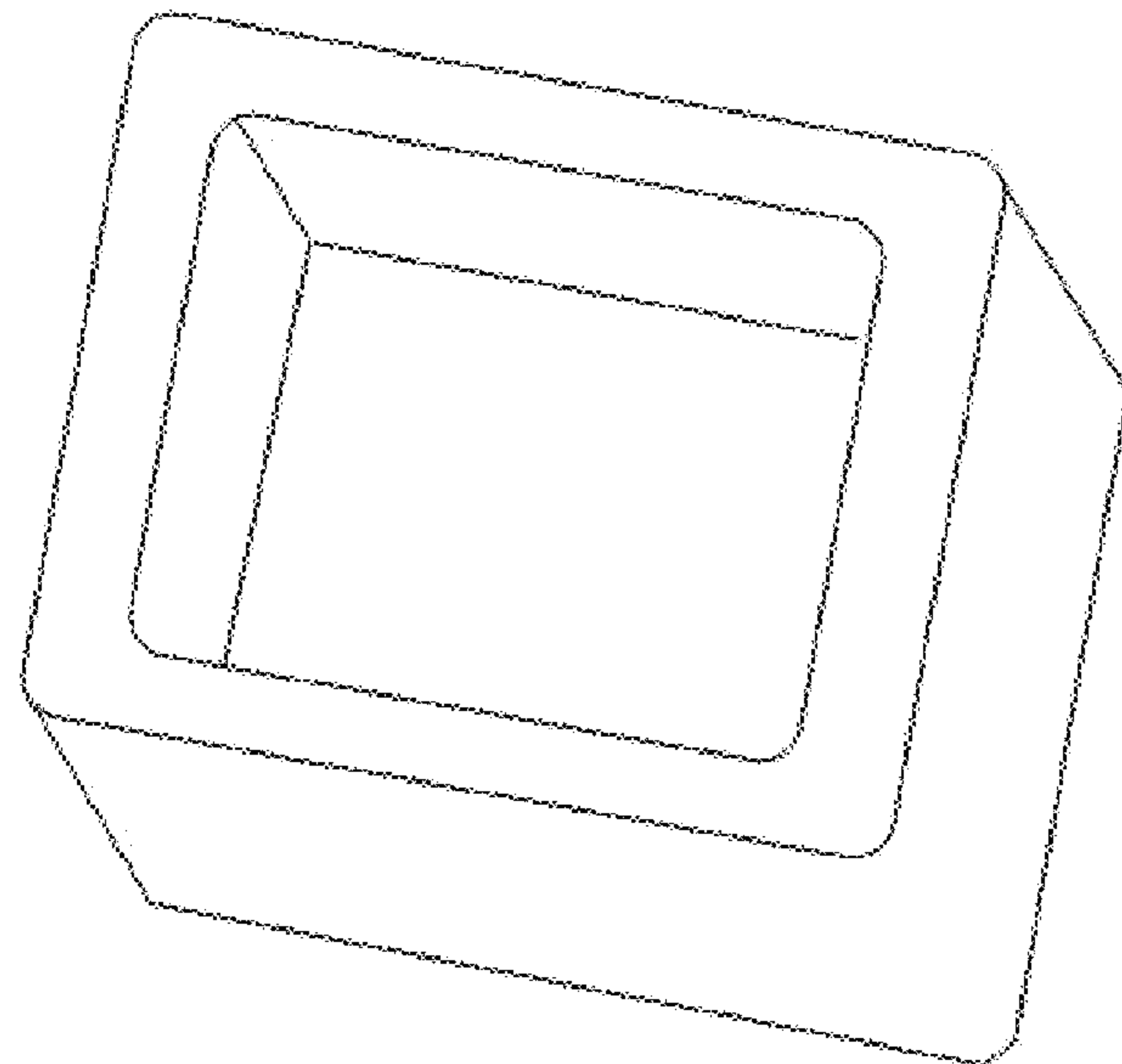
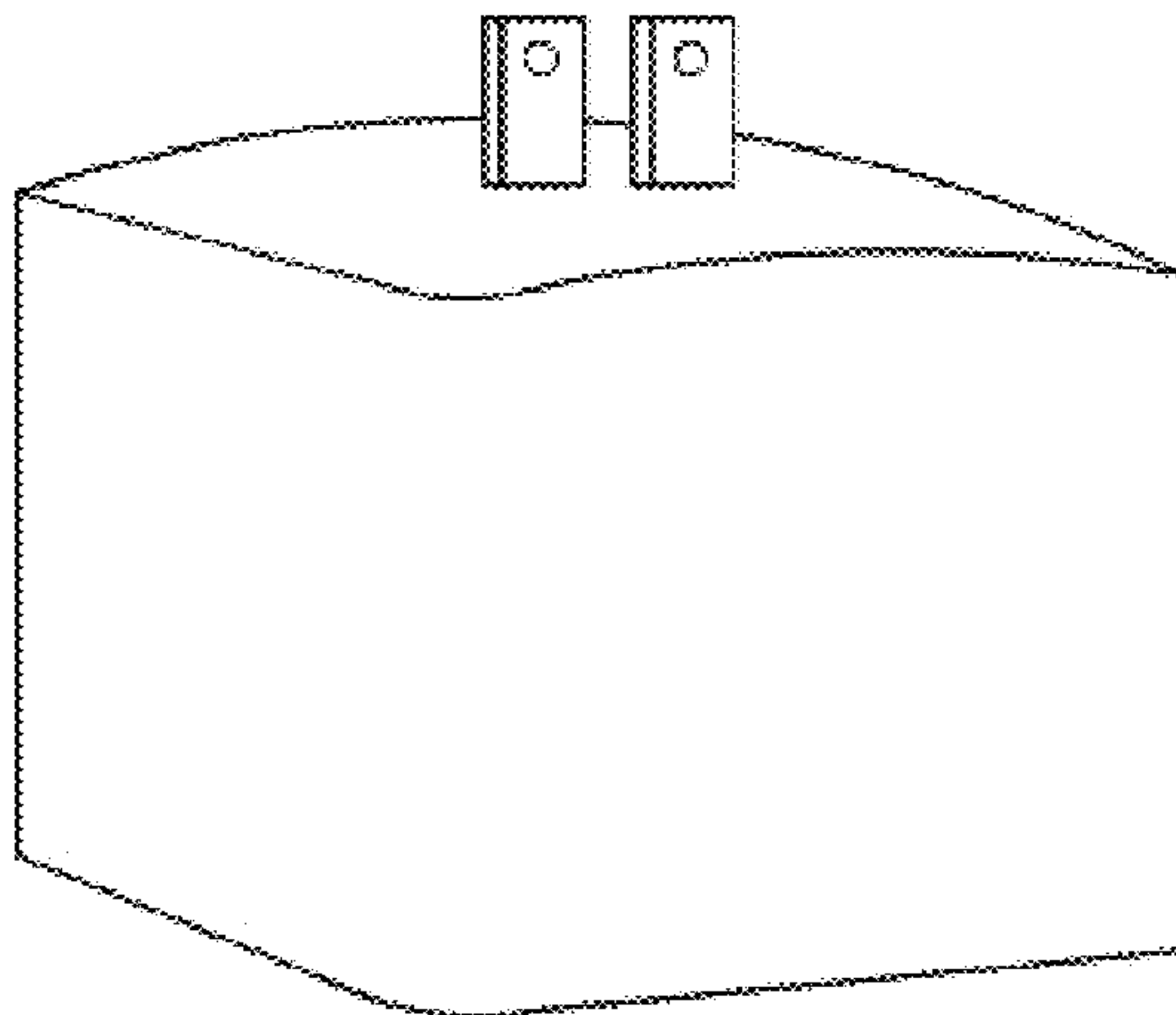
FIG. 2. is a left perspective view of the tag enclosing structure.

FIG. 3. is a front view of the tag enclosing structure.

FIG. 4. is a bottom perspective view of the tag enclosing structure; and,

FIG. 5. is an upper perspective view of the tag enclosing structure.

1 Claim, 5 Drawing Sheets



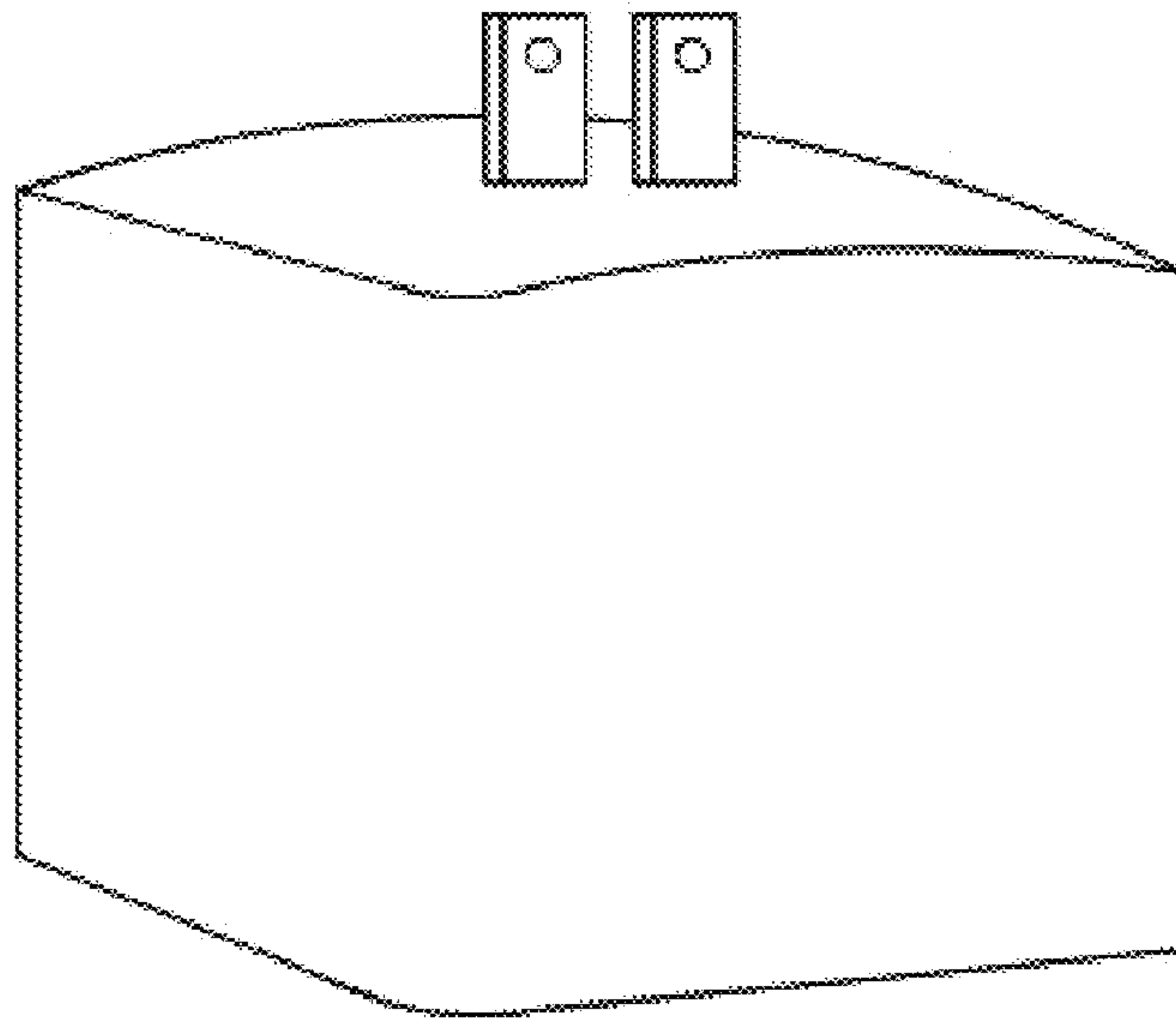


FIGURE 1

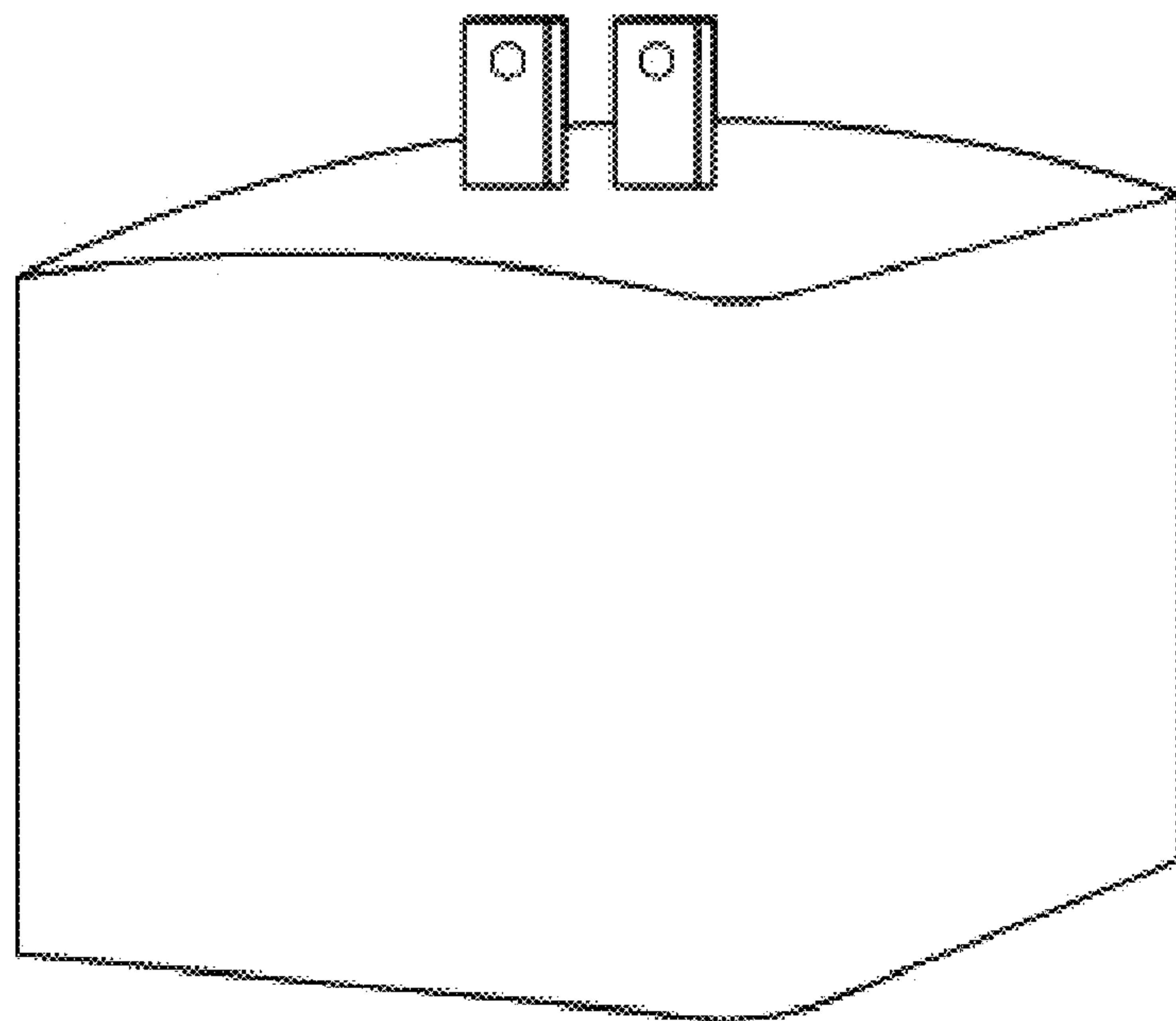


FIGURE 2

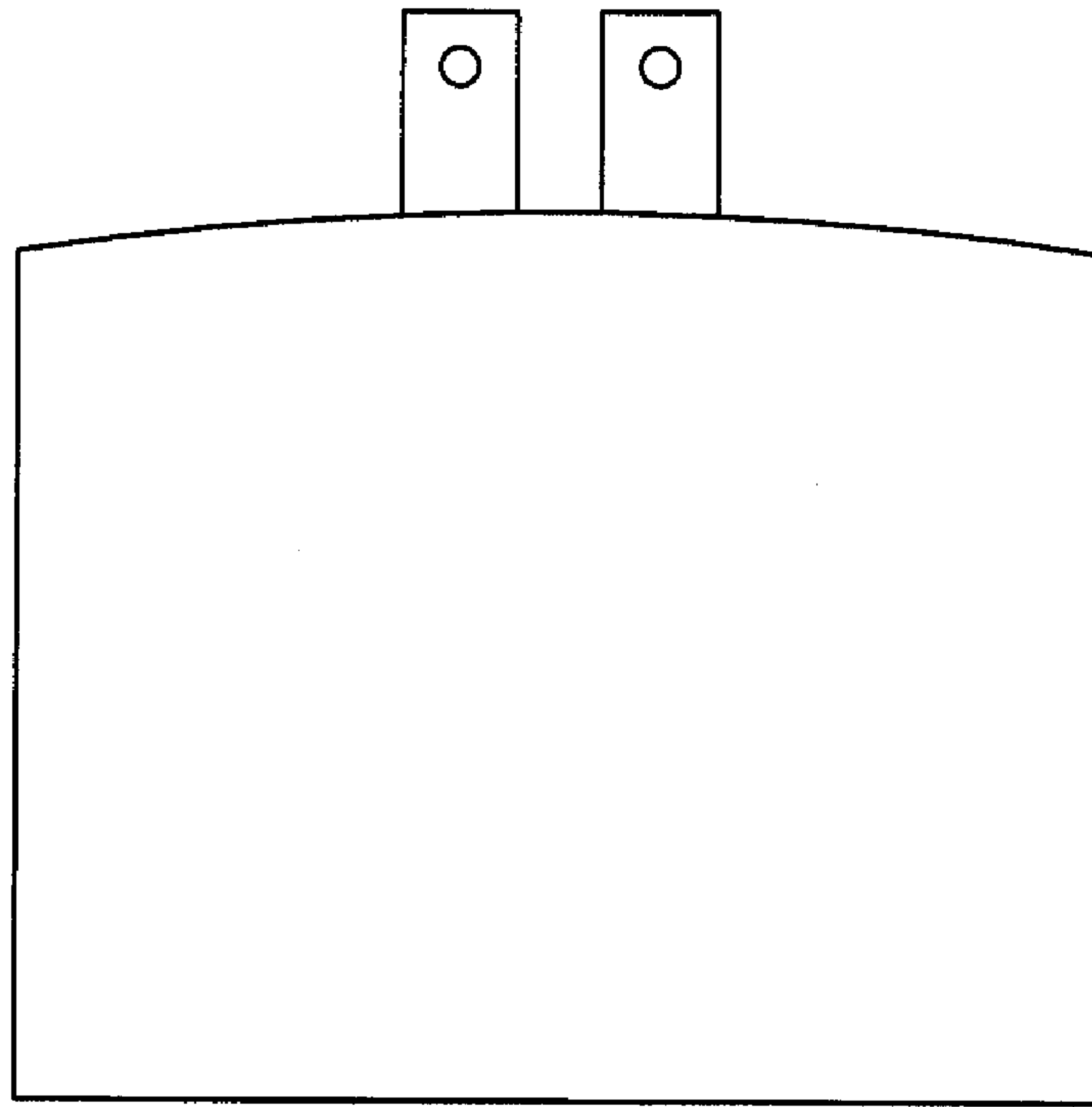


FIG. 3

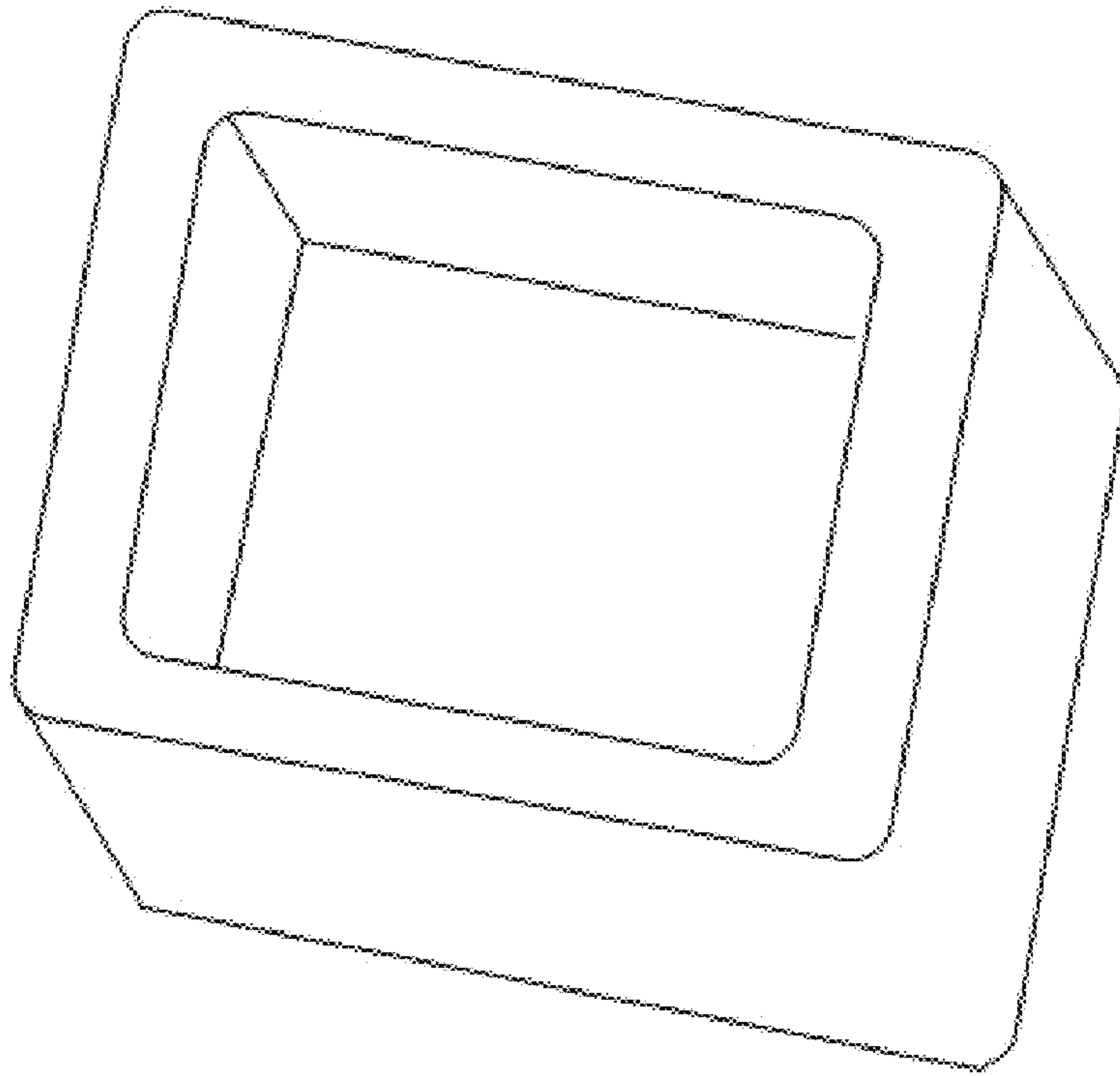


FIGURE 4

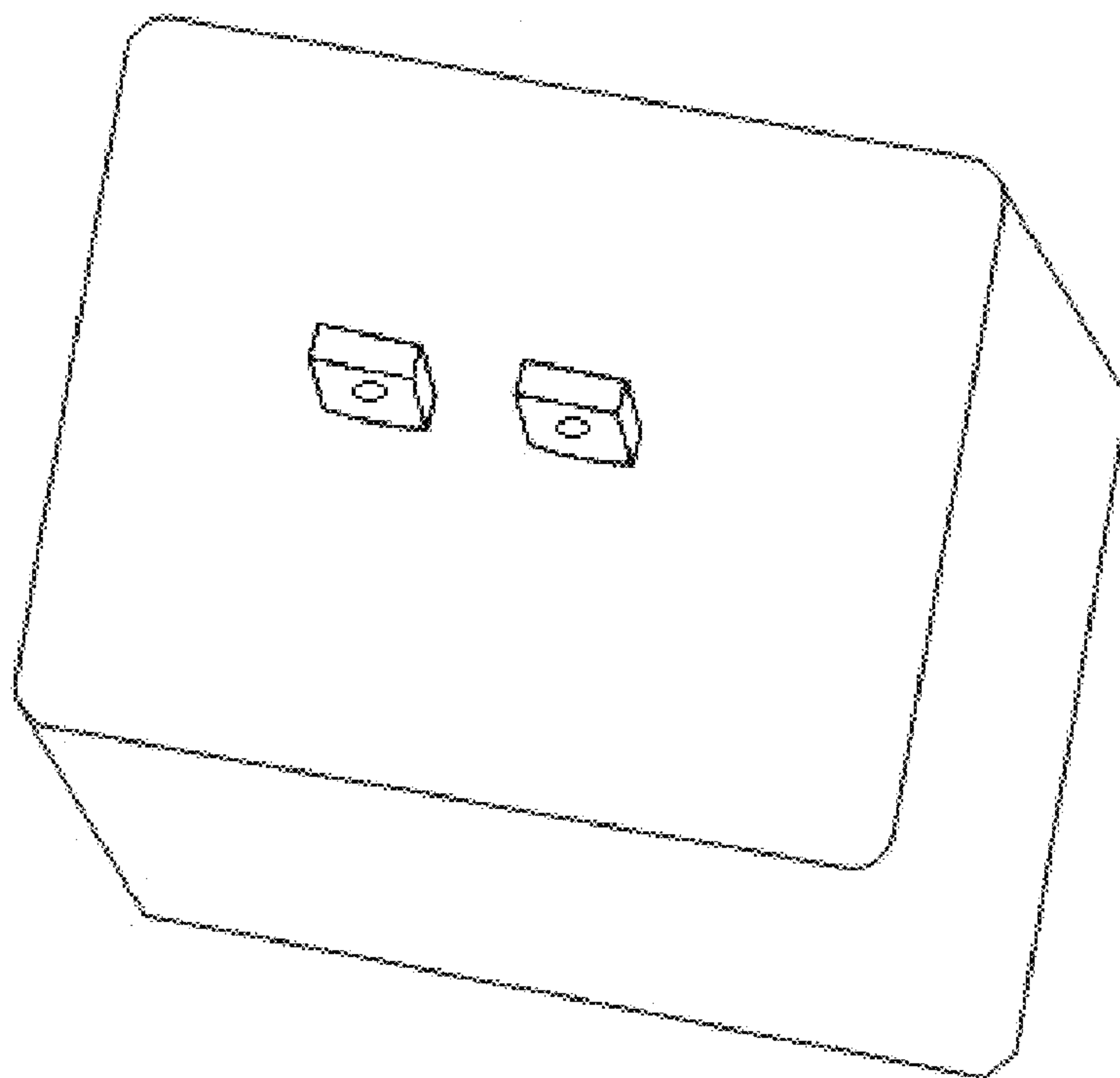


FIGURE 5