



US00D649484S

(12) **United States Design Patent**
Domel et al.

(10) **Patent No.:** **US D649,484 S**

(45) **Date of Patent:** **** Nov. 29, 2011**

(54) **CONTROLLER FOR WEIGHT SENSING PAD**

(75) Inventors: **Douglas R. Domel**, Santa Clarita, CA (US); **James C. Dow**, Ft. Collins, CO (US); **James John Girard**, Boise, ID (US)

(73) Assignee: **Innovision Devices, LLC.**, Santa Clara, CA (US)

(**) Term: **14 Years**

(21) Appl. No.: **29/375,637**

(22) Filed: **Sep. 24, 2010**

(51) **LOC (9) Cl.** **10-04**

(52) **U.S. Cl.** **D10/94**

(58) **Field of Classification Search** D10/92, D10/93; 177/4, 25.12-25.16, 177, 199, 210 R, 177/238-245, DIG. 3, 262, 210 C, 30, 126-127; 324/692, 512, 515, 806; 600/506, 547
See application file for complete search history.

(56) **References Cited**

U.S. PATENT DOCUMENTS

D578,916 S * 10/2008 Kobayakawa et al. D10/94

D582,308 S * 12/2008 Kajita D10/94
D582,813 S * 12/2008 Otsuka et al. D10/94

* cited by examiner

Primary Examiner — Antoine D Davis

(74) *Attorney, Agent, or Firm* — John L. Rogitz

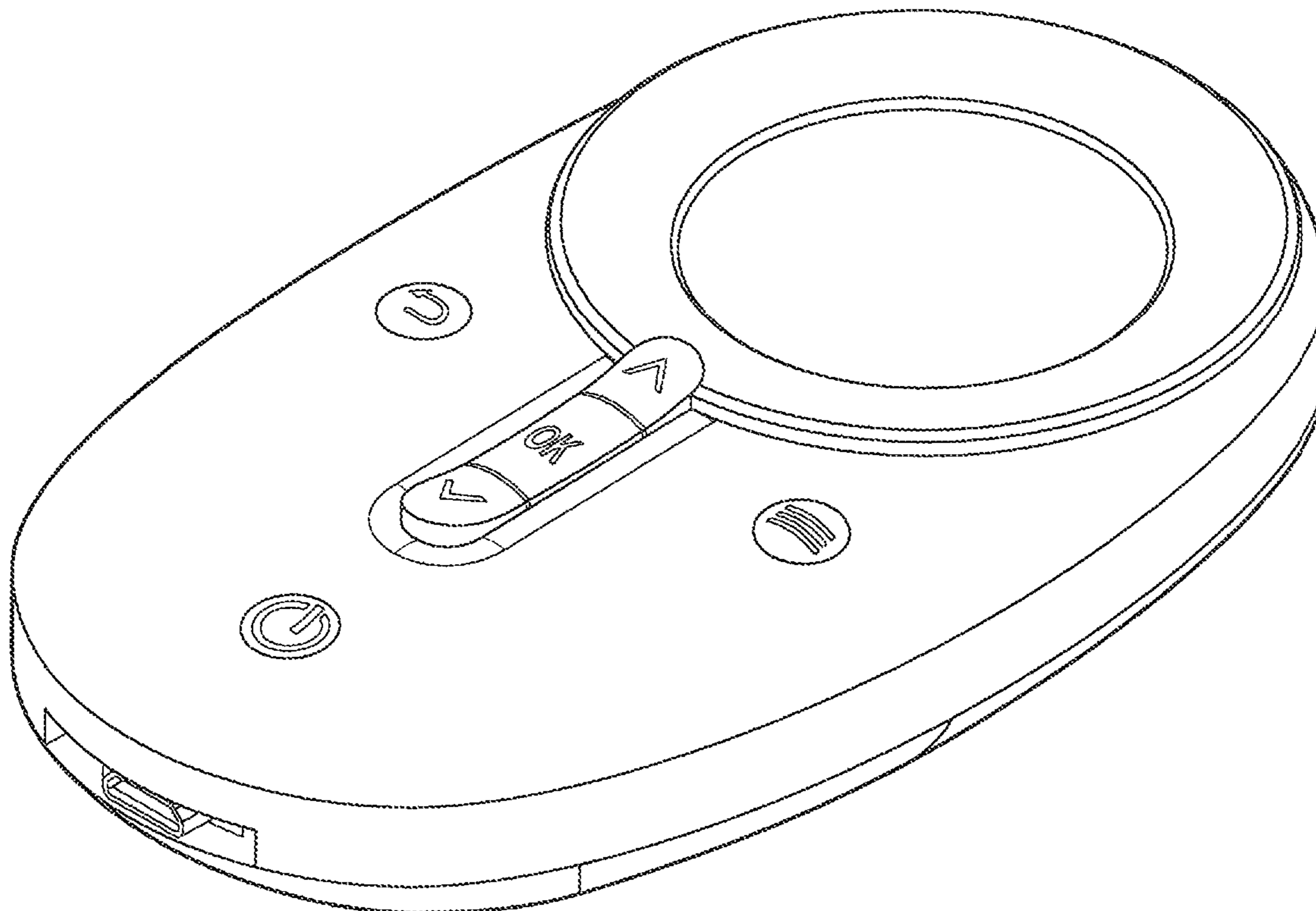
(57) **CLAIM**

The ornamental design for the controller for weight sensing pad, as shown and described.

DESCRIPTION

FIG. 1 is a perspective of the controller for weight sensing pad;
FIG. 2 is a top plan view of the controller for weight sensing pad shown in FIG. 1;
FIG. 3 is a bottom view of the controller for weight sensing pad shown in FIG. 1;
FIG. 4 is a first side view of the controller for weight sensing pad shown in FIG. 1;
FIG. 5 is a second side view of the controller for weight sensing pad shown in FIG. 1;
FIG. 6 is an elevational first end view of the controller for weight sensing pad shown in FIG. 1; and,
FIG. 7 is an elevational second end view of the controller for weight sensing pad shown in FIG. 1.
The broken line showing of structural features is included for the purpose of illustrating non-claimed subject matter and forms no part of the claimed design.

1 Claim, 5 Drawing Sheets



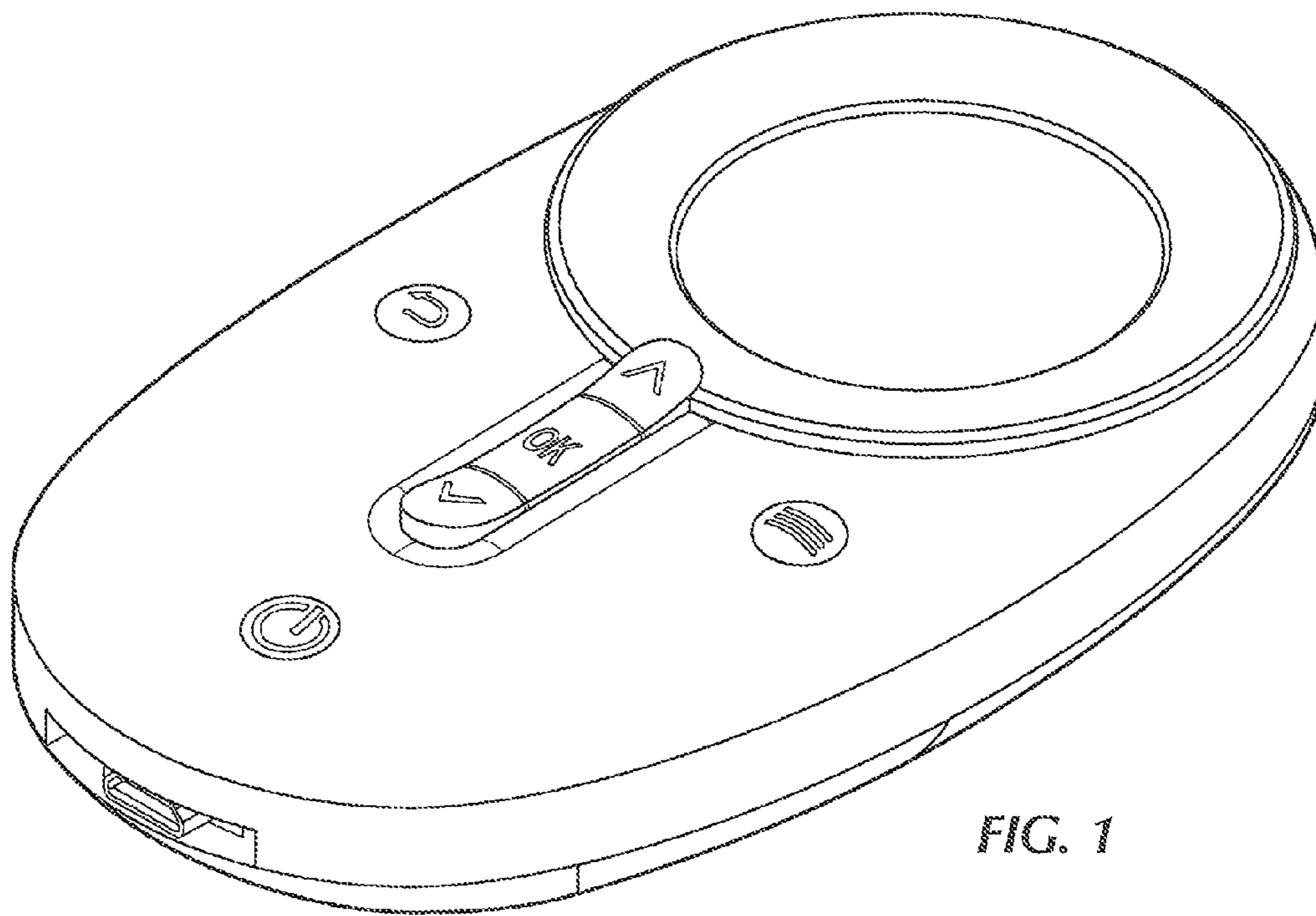


FIG. 1

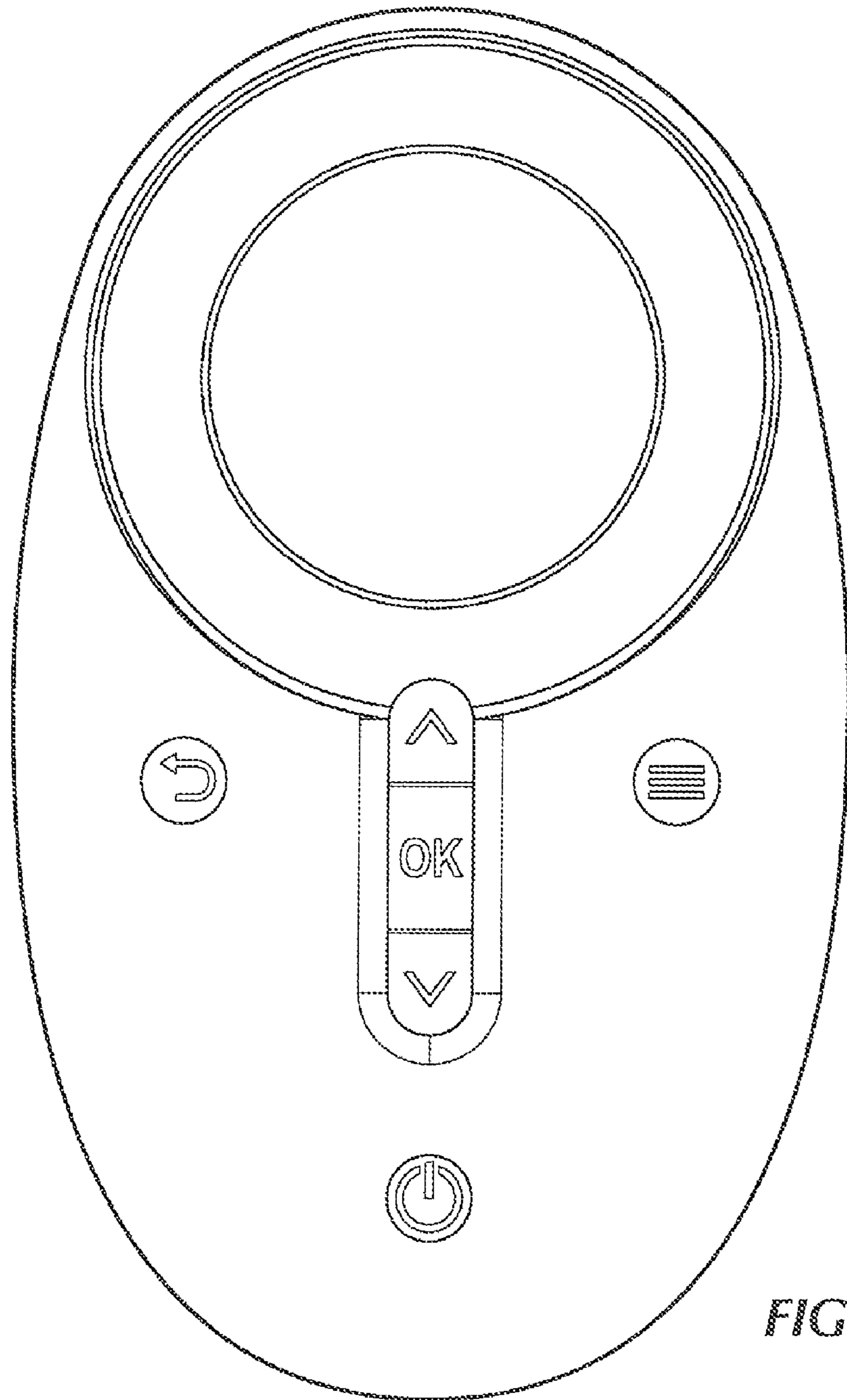


FIG. 2

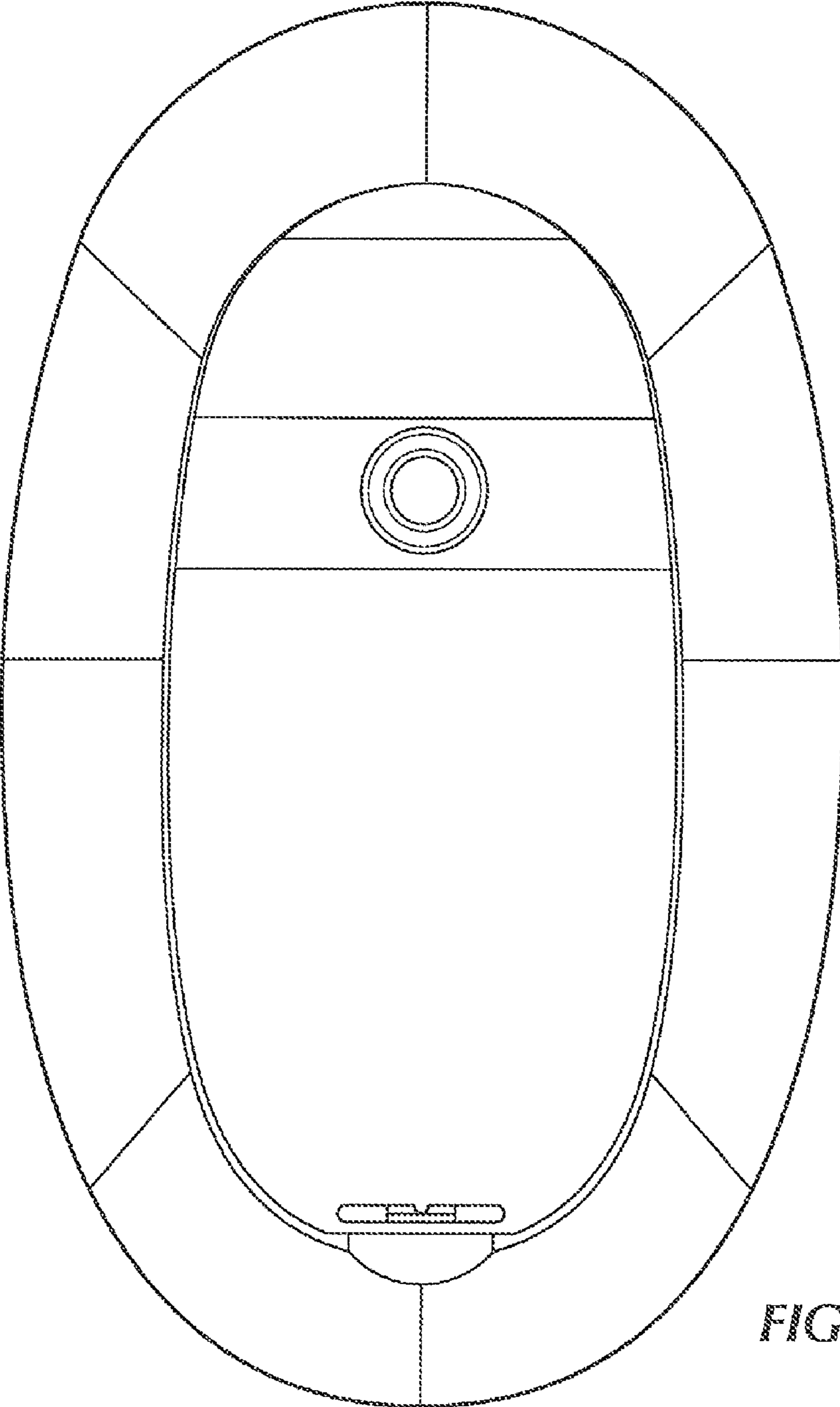


FIG. 3

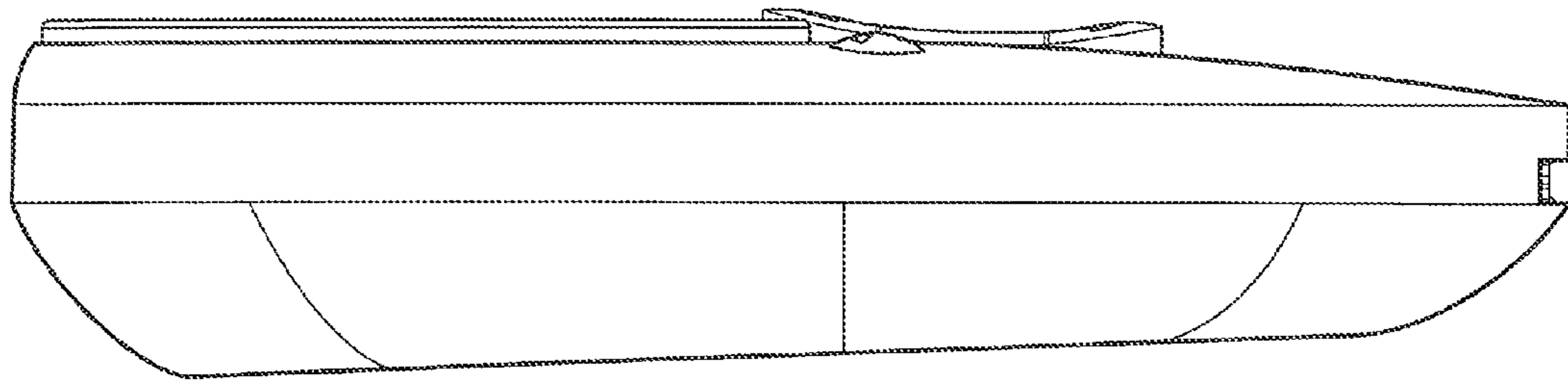


FIG. 4

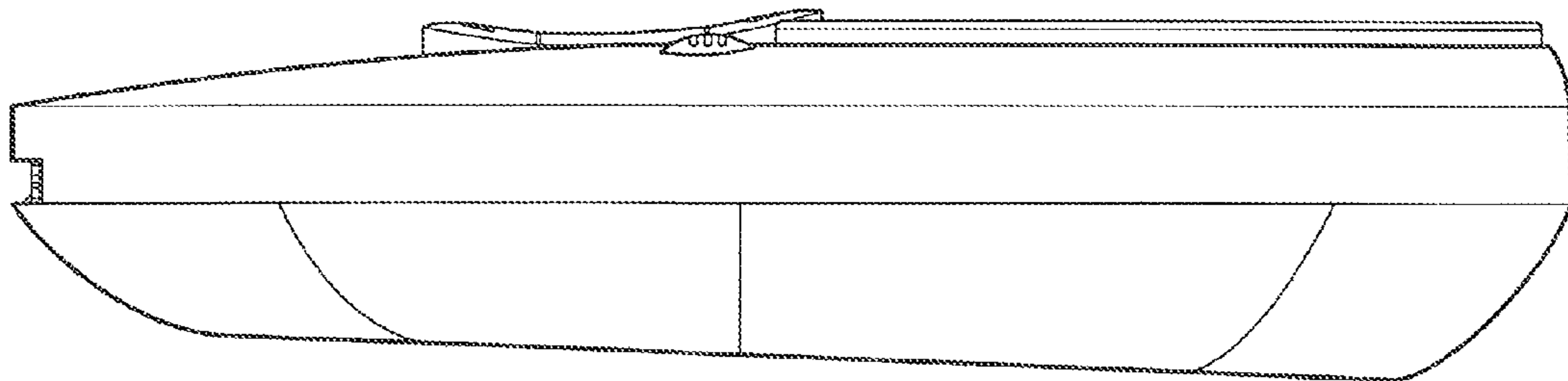


FIG. 5

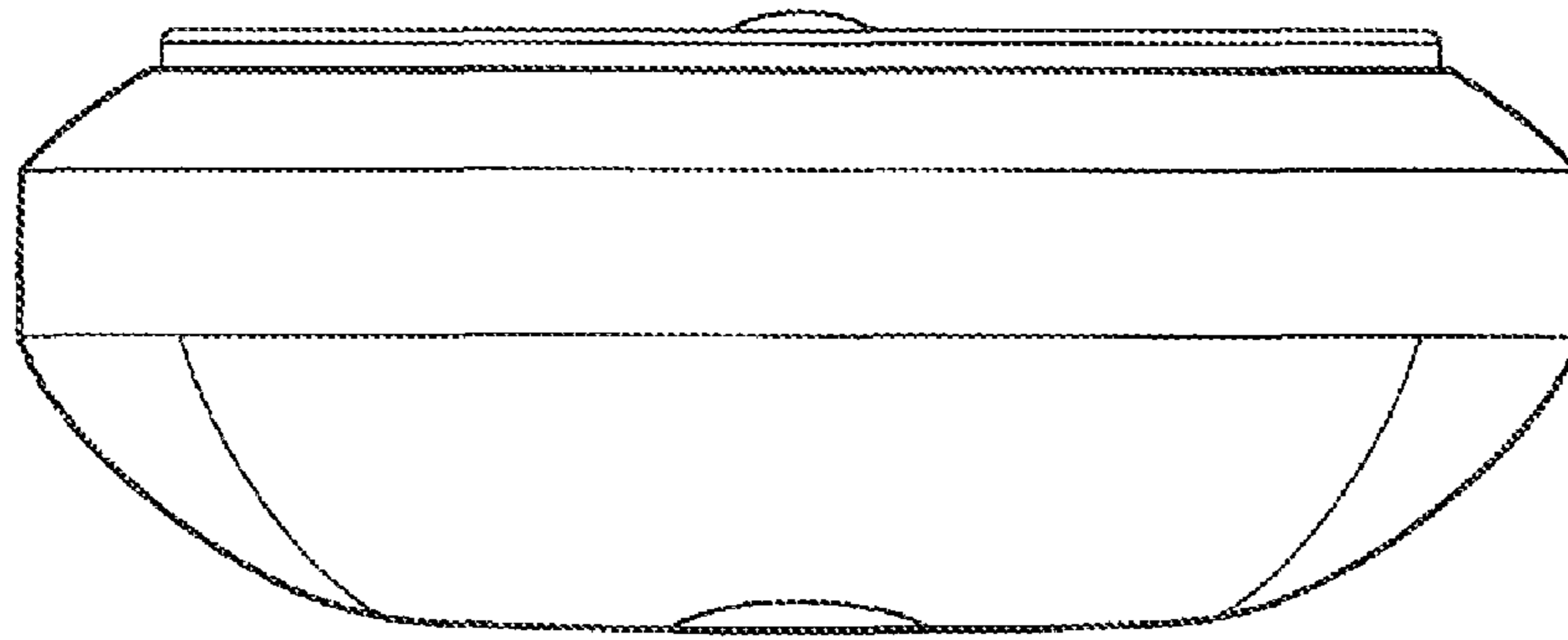


FIG. 6

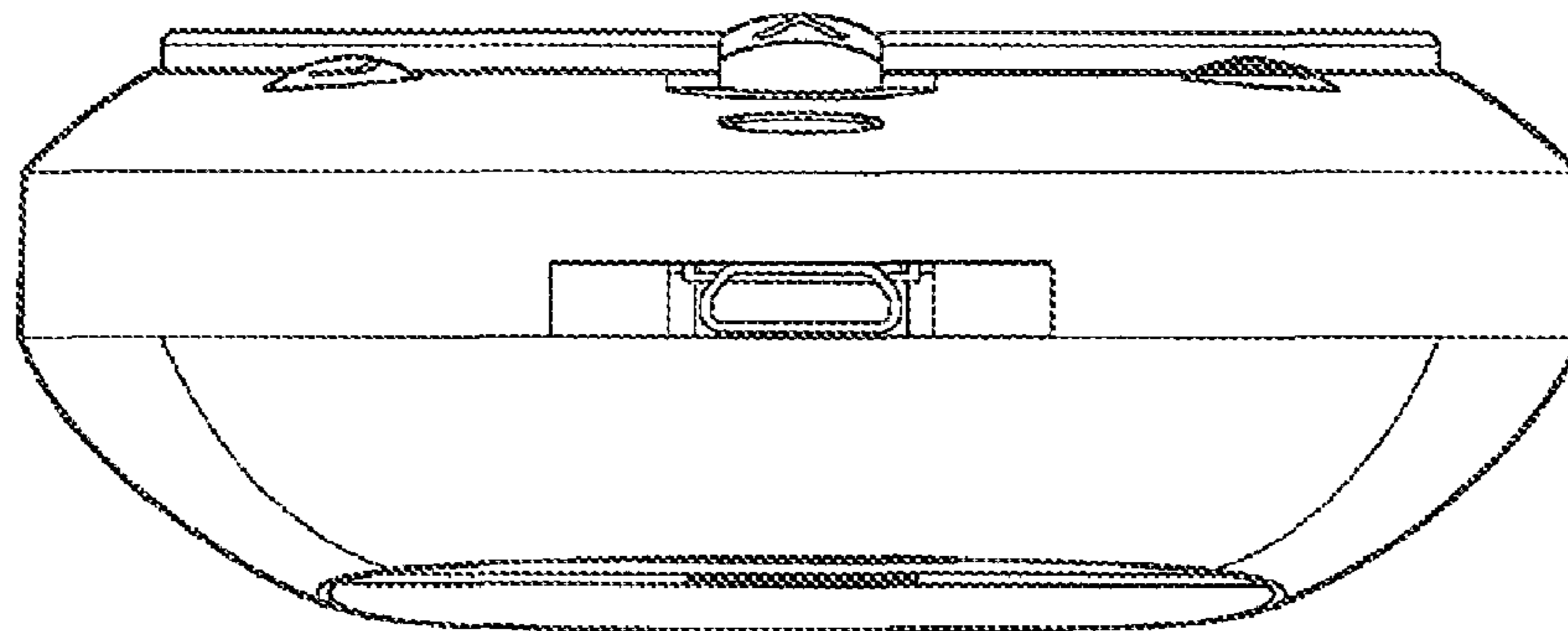


FIG. 7

UNITED STATES PATENT AND TRADEMARK OFFICE
CERTIFICATE OF CORRECTION

PATENT NO. : D649,484 S
APPLICATION NO. : 29/375637
DATED : November 29, 2011
INVENTOR(S) : Douglas R. Domel et al.

Page 1 of 1

It is certified that error appears in the above-identified patent and that said Letters Patent is hereby corrected as shown below:

Title page, item (73) should read:

(73) Assignee: Innovision Devices, LLC., Santa Clarita, CA (US)

Signed and Sealed this
Thirty-first Day of January, 2012

A handwritten signature in black ink that reads "David J. Kappos". The signature is written in a cursive style with a large, stylized "D" and "K".

David J. Kappos
Director of the United States Patent and Trademark Office