



US00D649479S

(12) **United States Design Patent**
Richardson

(10) **Patent No.:** **US D649,479 S**

(45) **Date of Patent:** **** Nov. 29, 2011**

(54) **WORK STATION**

(76) Inventor: **Nicky D. Richardson**, Hamburg, PA
(US)

(**) Term: **14 Years**

(21) Appl. No.: **29/295,890**

(22) Filed: **Oct. 9, 2007**

(51) **LOC (9) Cl.** **09-02**

(52) **U.S. Cl.** **D9/772**

(58) **Field of Classification Search** D9/500,
D9/501, 502, 633, 763, 772, 773, 776, 777,
D9/778, 779, 780; D34/39; 215/40-46,
215/200, 329, 331, 335; 220/689, 906; 222/153.07
See application file for complete search history.

(56) **References Cited**

U.S. PATENT DOCUMENTS

D220,316 S *	3/1971	Bardell et al.	D34/39
3,822,812 A *	7/1974	Shorin et al.	222/570
D277,646 S *	2/1985	Jorgensen	D9/780
D278,800 S *	5/1985	Bowen et al.	D9/780
D287,824 S *	1/1987	Rayner	D9/780
D296,421 S *	6/1988	Rayner	D9/779

D296,422 S *	6/1988	Rayner	D9/780
D310,628 S *	9/1990	Rayner	D9/780
D312,157 S *	11/1990	Sjolander	D32/53
D321,318 S *	11/1991	Gunter	D9/780
5,069,736 A *	12/1991	Castle	156/94
D329,597 S *	9/1992	Gallagher et al.	D9/780
D341,780 S *	11/1993	Turner	D9/780

* cited by examiner

Primary Examiner — Stella Reid

Assistant Examiner — Derrick Holland

(74) *Attorney, Agent, or Firm* — Miller Law Group, PLLC

(57) **CLAIM**

The ornamental design for a work station, as shown and described.

DESCRIPTION

FIG. 1 is a front elevational view of a work station showing my new design;

FIG. 2 is a right side elevational view thereof;

FIG. 3 is a left side elevational view thereof;

FIG. 4 is a rear elevational view thereof;

FIG. 5 is a top plan view thereof; and,

FIG. 6 is a bottom plan view thereof.

1 Claim, 5 Drawing Sheets

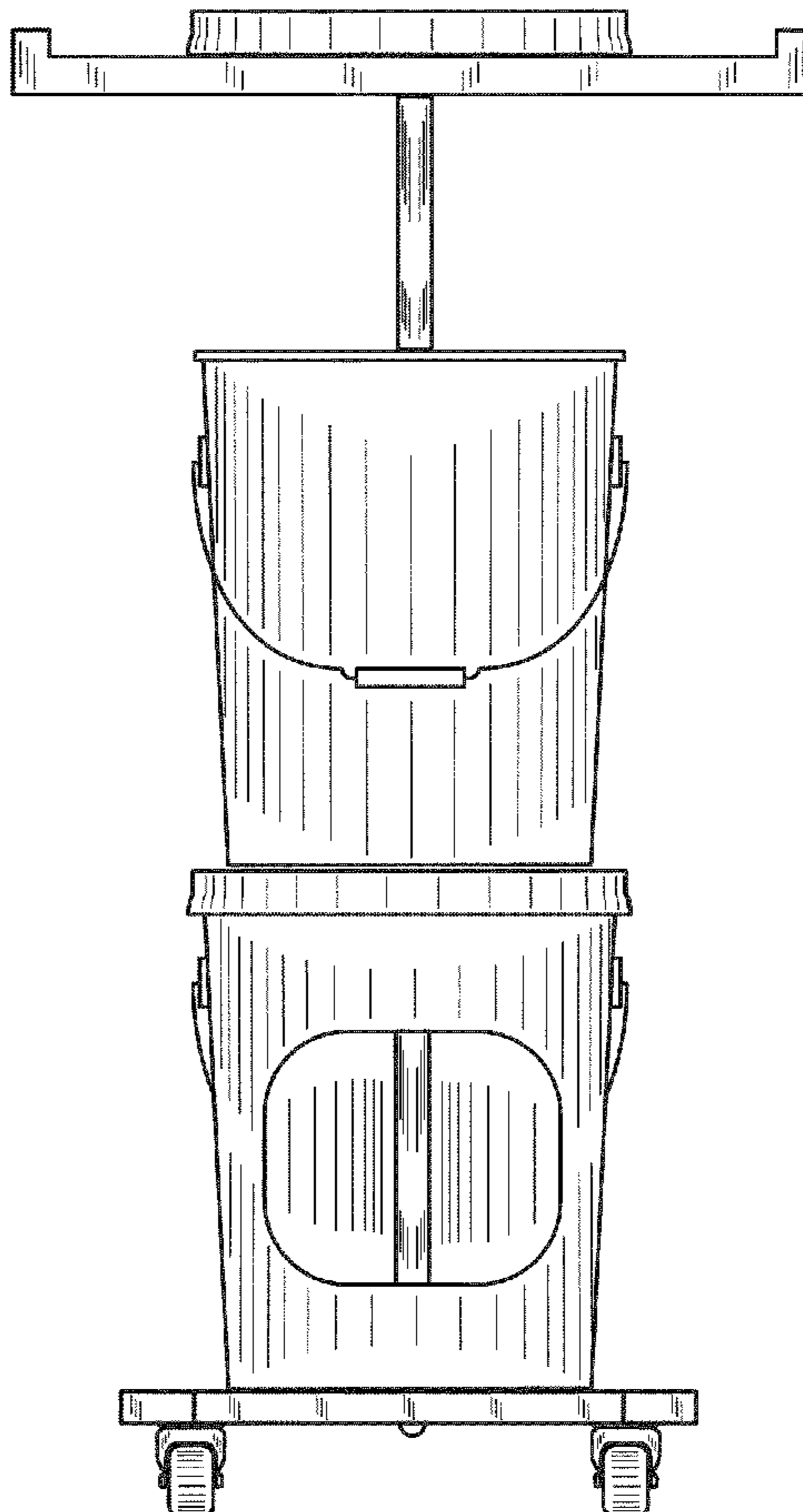


Fig. 1

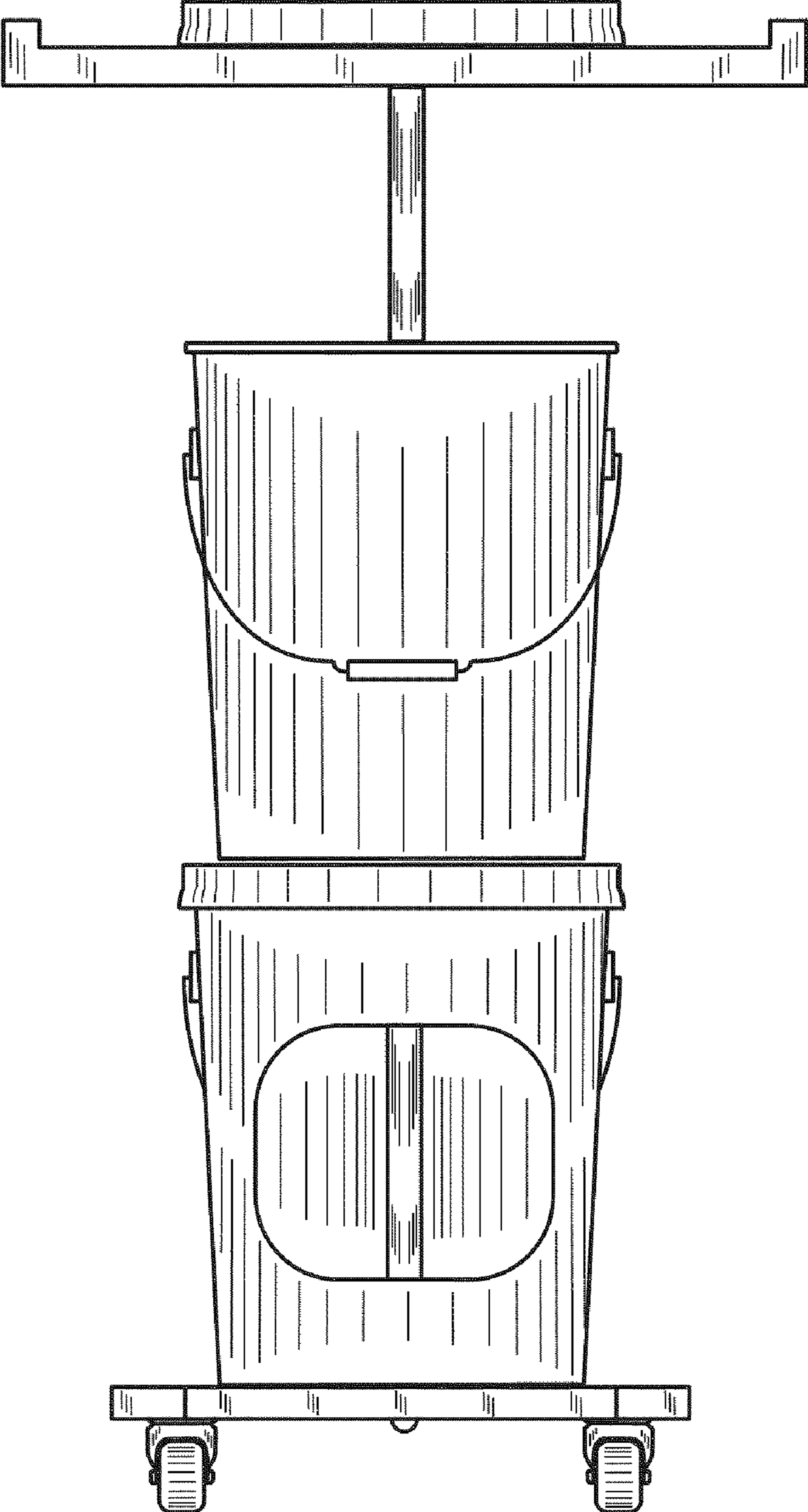


Fig. 2

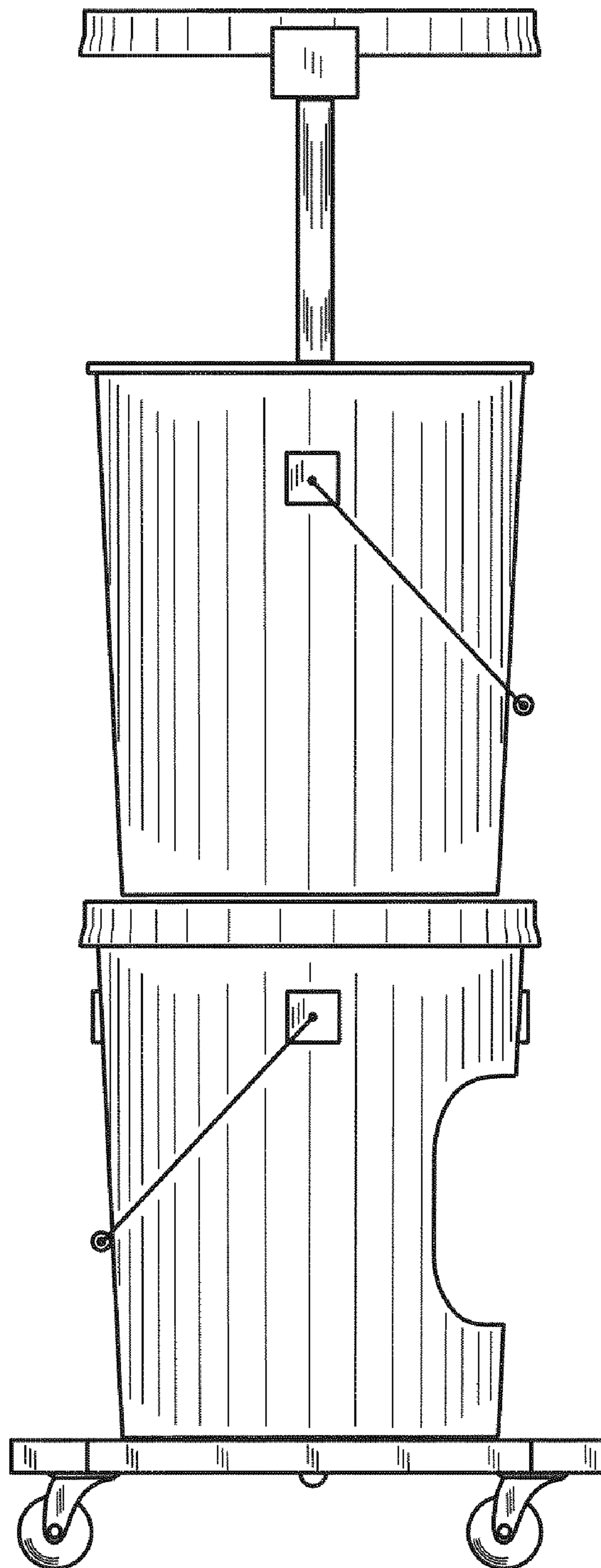


Fig. 3

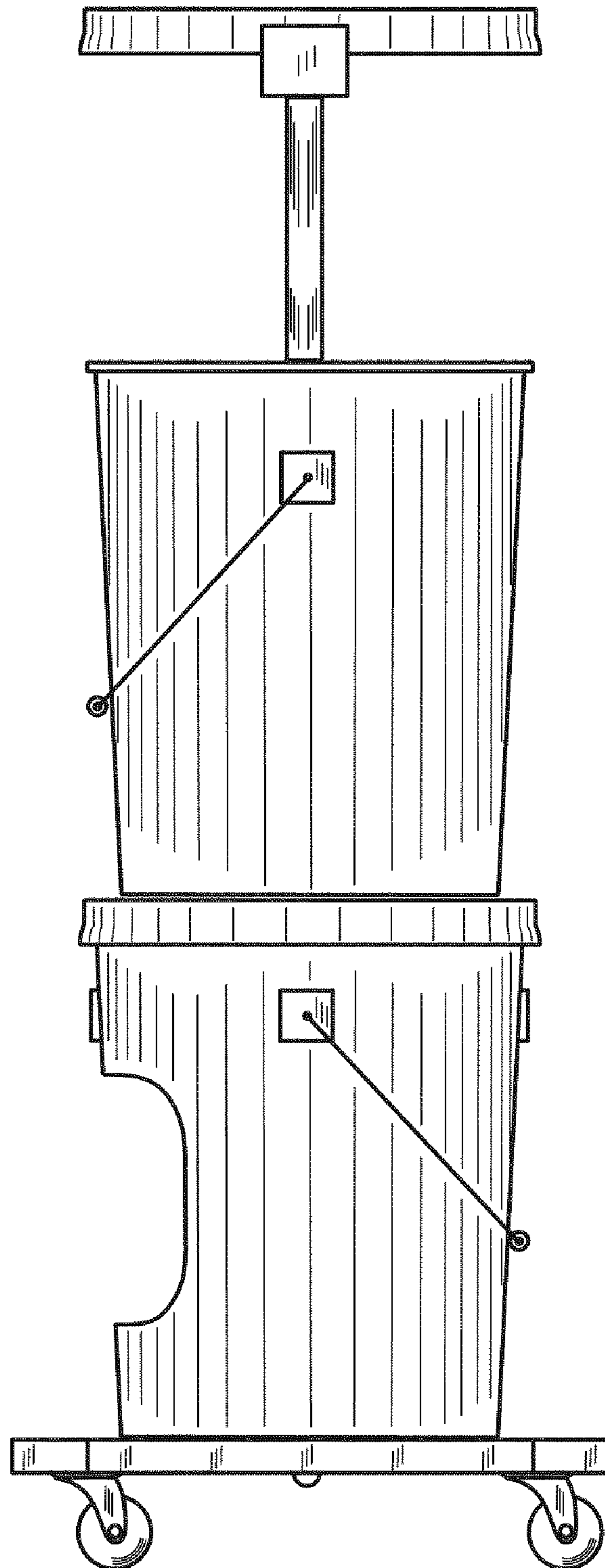


Fig. 4

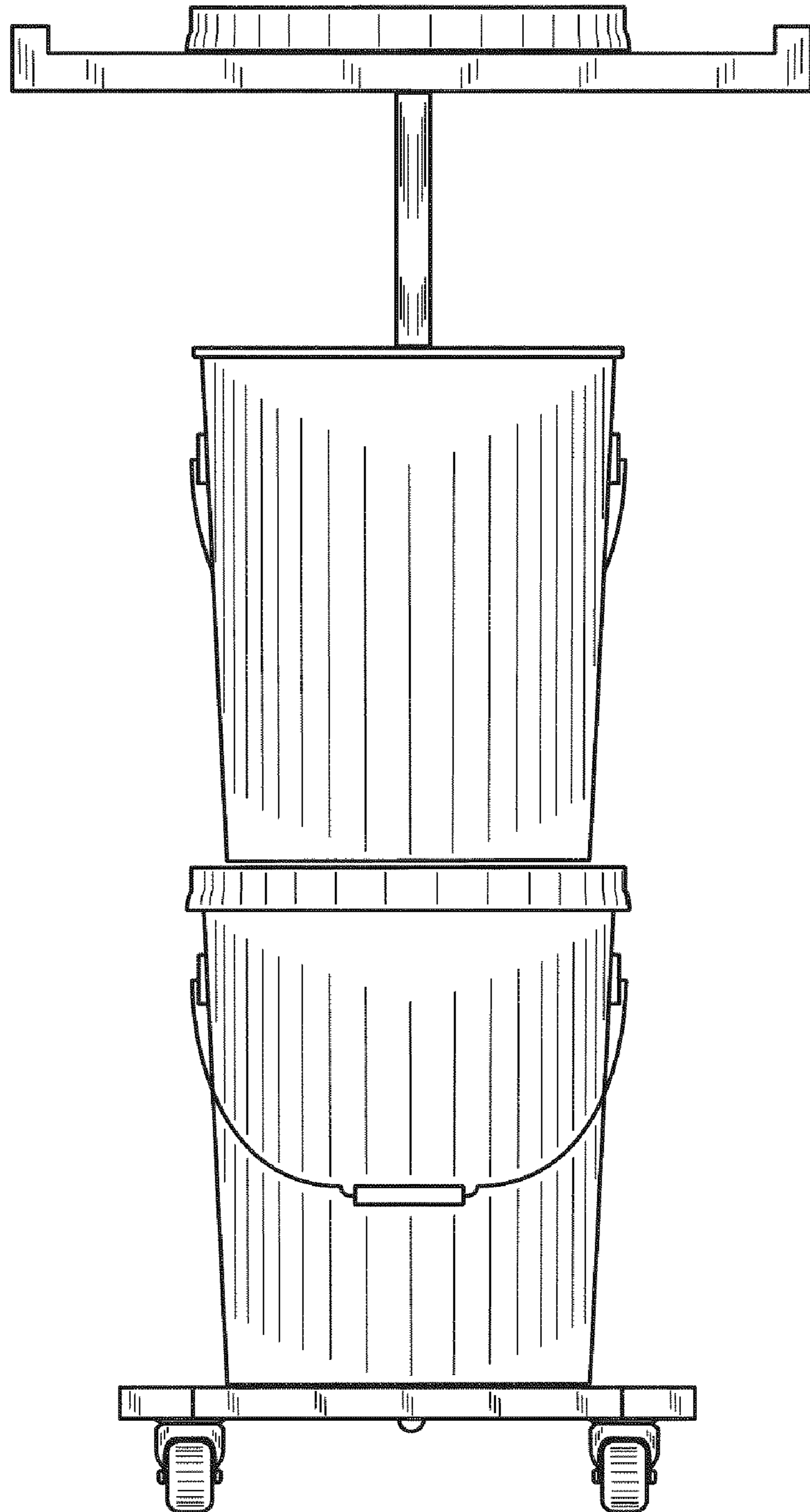


Fig. 5

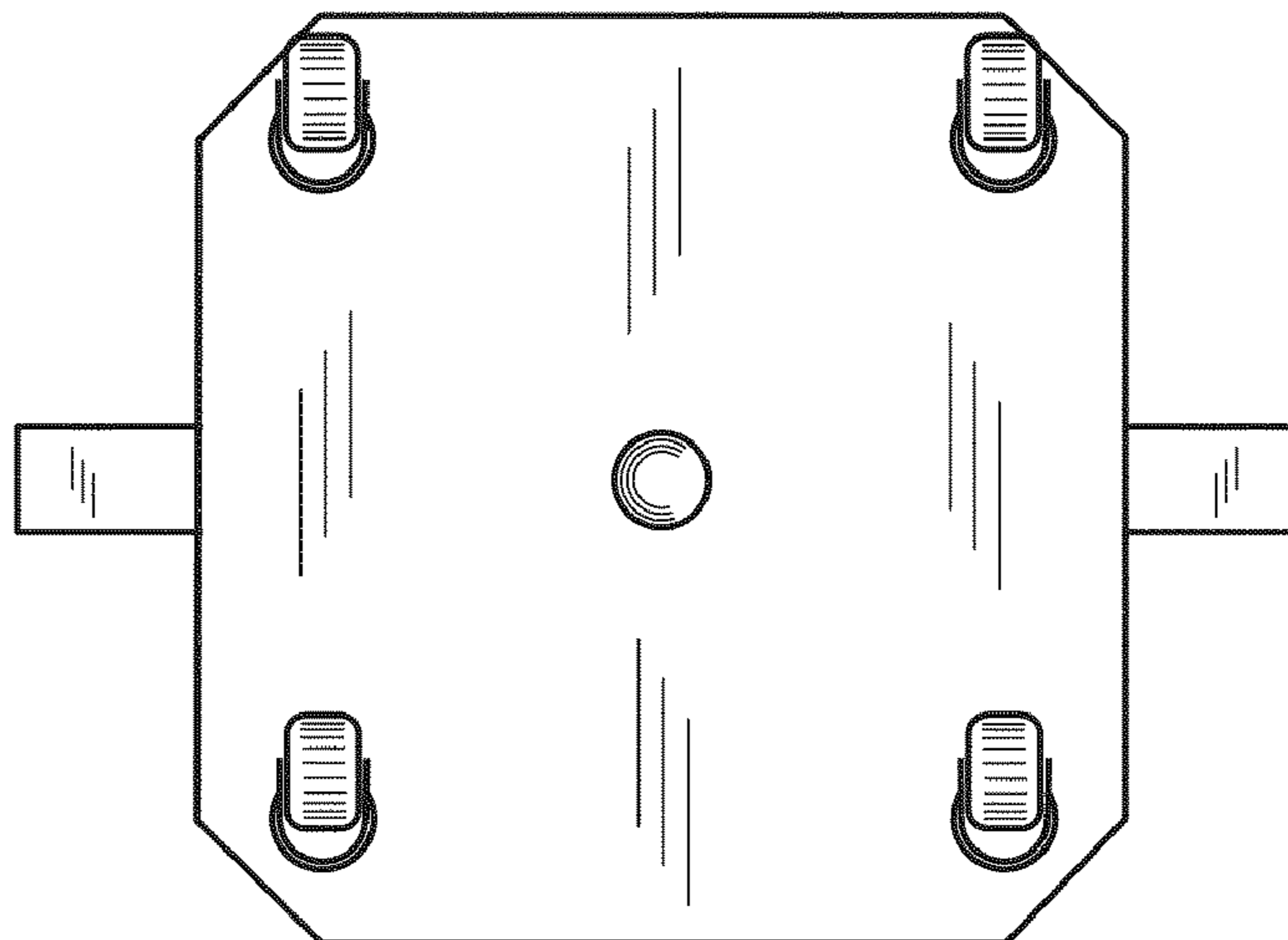
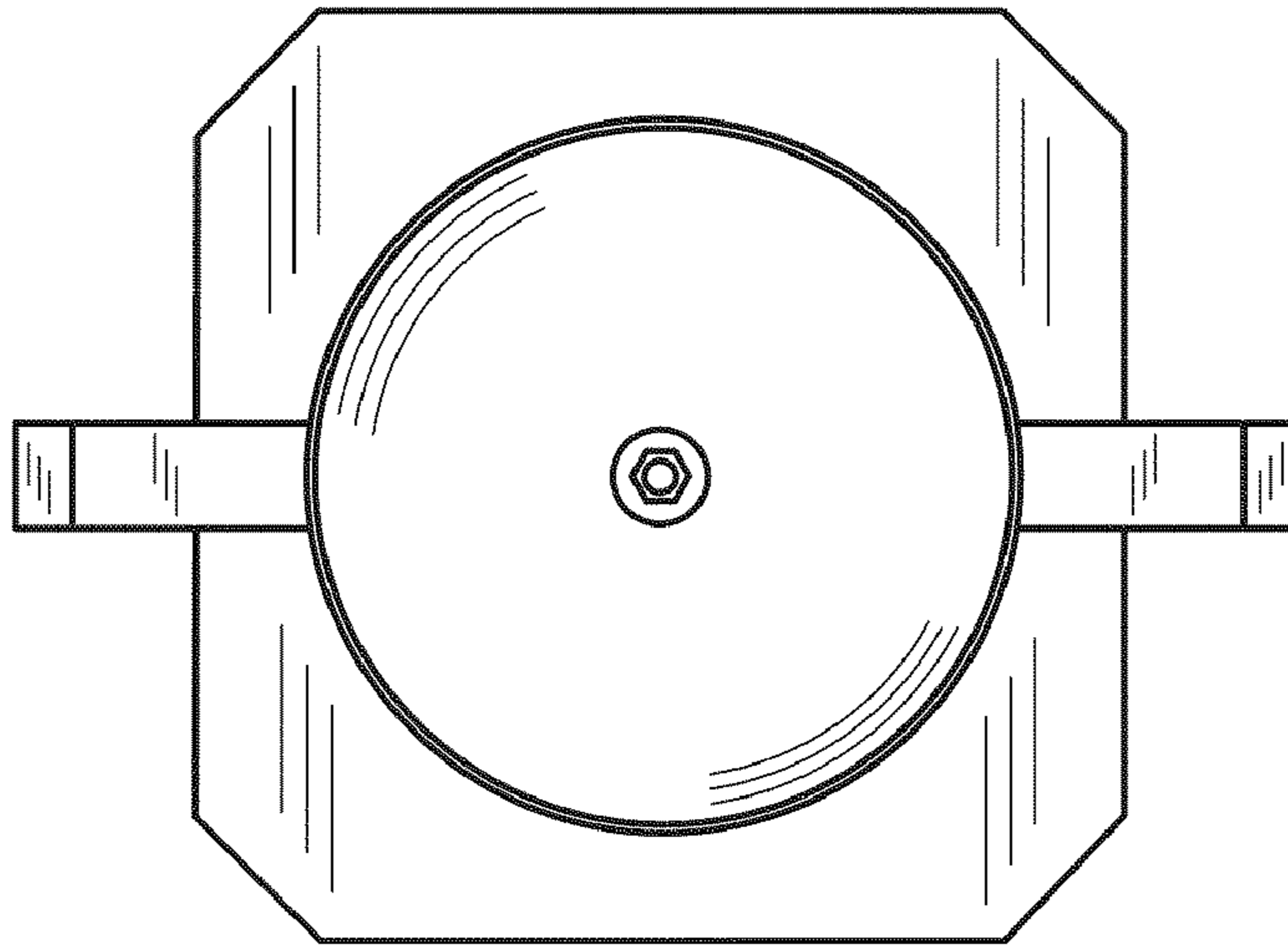


Fig. 6