



US00D649476S

(12) **United States Design Patent**  
**Yoder**

(10) **Patent No.:** **US D649,476 S**

(45) **Date of Patent:** **\*\* Nov. 29, 2011**

(54) **MEAT BAG**

(76) Inventor: **James Alvin Yoder**, Paris, TN (US)

(\*\*) Term: **14 Years**

(21) Appl. No.: **29/370,532**

(22) Filed: **Jul. 30, 2010**

(51) **LOC (9) Cl.** ..... **09-05**

(52) **U.S. Cl.** ..... **D9/703**

(58) **Field of Classification Search** ..... D9/703-707,  
D9/720, 643, 648, 418, 415-416, 709-710,  
D9/713, 443, 433, 435; 222/92, 107, 215;  
229/87.06, 87.08; D3/203.1, 303; D24/118,  
D24/121; 426/106, 127, 129, 415, 418;  
383/113-116, 119, 102-103, 109, 61.1, 78,  
383/81, 84, 120, 127, 108; 206/497, 404.2,  
206/811, 484, 260; 428/34.9, 35.2, 99, 34.8;  
220/495.03, 666; 24/429, 399

See application file for complete search history.

(56) **References Cited**

U.S. PATENT DOCUMENTS

5,534,276 A \* 7/1996 Ennis ..... 426/127  
6,550,966 B1 \* 4/2003 Saad et al. .... 383/103

(Continued)

*Primary Examiner* — Caron D Veynar

*Assistant Examiner* — Abraham Bahta

(74) *Attorney, Agent, or Firm* — David D. Winters

(57) **CLAIM**

The ornamental design for a meat bag, as shown and described.

**DESCRIPTION**

FIG. 1 is a partial front view of the meat bag showing my new design;

FIG. 1A is the completion of the front view of the meat bag shown in FIG. 1 when FIG. 1A is placed at the bottom of FIG. 1;

1;

FIG. 2 is a partial back view thereof;

FIG. 2A is a completion of the back view shown in FIG. 2 when FIG. 2A is placed at the bottom of FIG. 2;

FIG. 2B is an enlarged detail view of the portion of FIG. 2A encircled by the dashed line labeled 2B;

FIG. 3 is a partial right side view of the meat bag;

FIG. 3A is the completion of the right side view shown in FIG. 3 when FIG. 3A is placed at the bottom of FIG. 3;

FIG. 4 is a partial left view thereof;

FIG. 4A is a completion of the left side view of the meat bag shown in FIG. 4 when FIG. 4A is placed at the bottom of FIG. 4;

FIG. 4B is an enlarged detail view of the portion of FIG. 4A encircled by the dashed line labeled 4B;

FIG. 5 is a top view thereof;

FIG. 6 is a bottom view thereof;

FIG. 7 is a partial back view of the meat bag when full;

FIG. 7A is the completion of the back view when full shown in FIG. 7 when FIG. 7A is placed at the bottom of FIG. 7;

FIG. 8 is a partial left side view thereof;

FIG. 8A is a completion of the left side of the meat bag shown in FIG. 8 when FIG. 8A is placed at the bottom of FIG. 8;

FIG. 9 is a top view thereof;

FIG. 10 is a bottom view of the meat bag when full;

FIG. 11 is a partial right side view of the meat bag when full and shown partially opened;

FIG. 12 is a partial view of the meat bag when cut and spread; FIG. 12A is another partial view of the meat bag when cut and spread, to be placed to the right of FIG. 12 to complete the left side of the bag;

FIG. 13 is another partial view of the meat bag when cut and spread, to be placed to the right of FIG. 12 to complete the top half of the bag; and,

FIG. 13A is another partial view of the meat bag when cut and spread to be placed to the bottom of FIG. 13 and to the right of FIG. 12A.

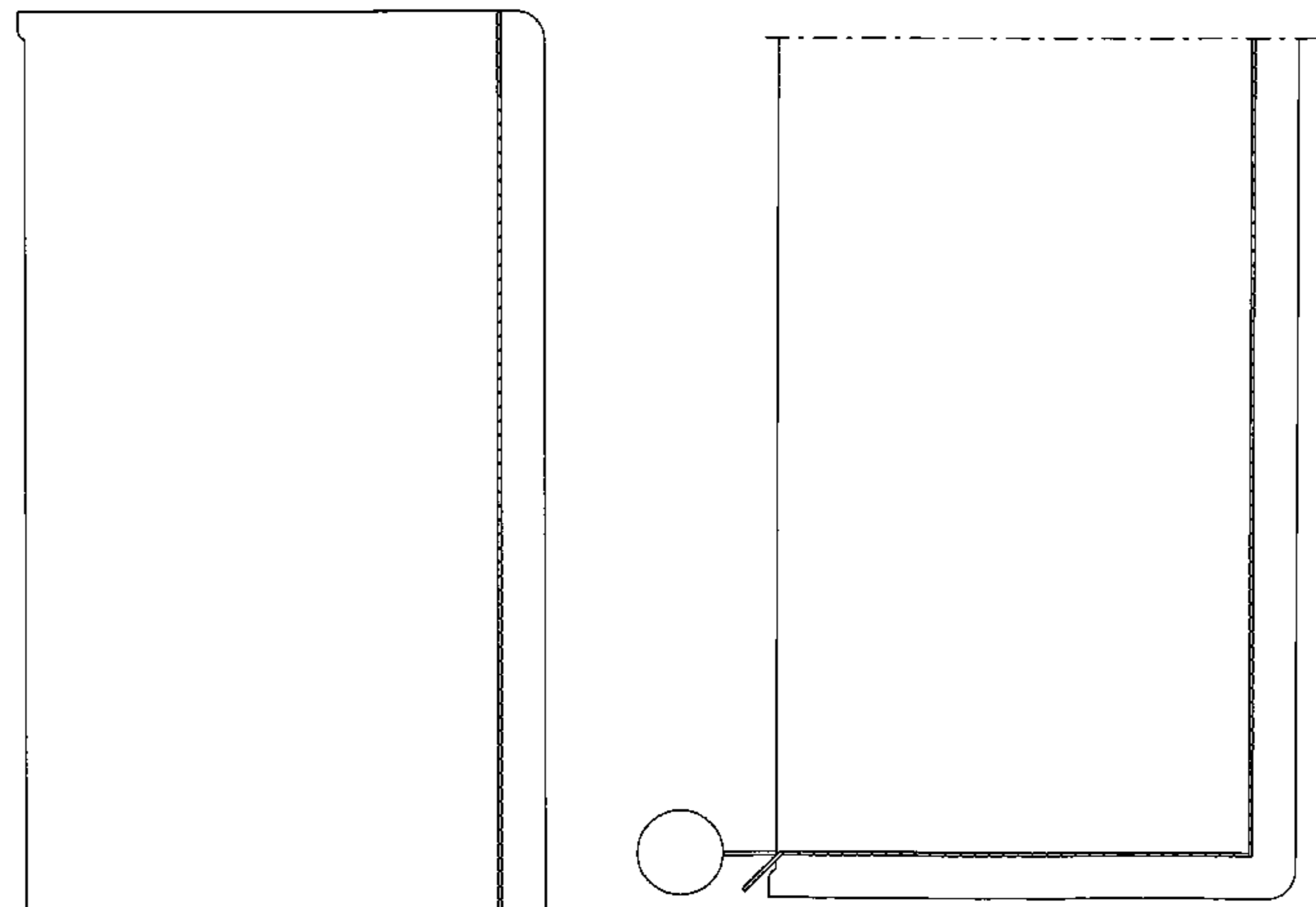
FIG. 12, FIG. 12A, FIG. 13, and FIG. 13A make the complete back view.

The broken line showing portions of the meat bag is included for the purpose of illustrating environmental structure and forms no part of the claimed design. The dash dot lines indicate where the views fit together to show the complete article.

FIG. 12, FIG. 12A, FIG. 13, and FIG. 13A make the complete back view.

The broken line showing portions of the meat bag is included for the purpose of illustrating environmental structure and forms no part of the claimed design. The dash dot lines indicate where the views fit together to show the complete article.

**1 Claim, 18 Drawing Sheets**



# US D649,476 S

Page 2

---

## U.S. PATENT DOCUMENTS

6,779,921	B2 *	8/2004	Yeager .....	383/42	D597,857	S *	8/2009	Lin .....	D9/709
7,273,629	B2 *	9/2007	Mudar et al. ....	426/129	D617,654	S *	6/2010	Tawinsook .....	D9/702
D563,241	S *	3/2008	Nimey .....	D9/705	D623,536	S *	9/2010	Bohmke .....	D9/707
7,338,691	B2 *	3/2008	Pollok et al. ....	428/34.9	D633,809	S *	3/2011	Bradley .....	D9/703
D588,013	S *	3/2009	Tanaka et al. ....	D9/703					

\* cited by examiner

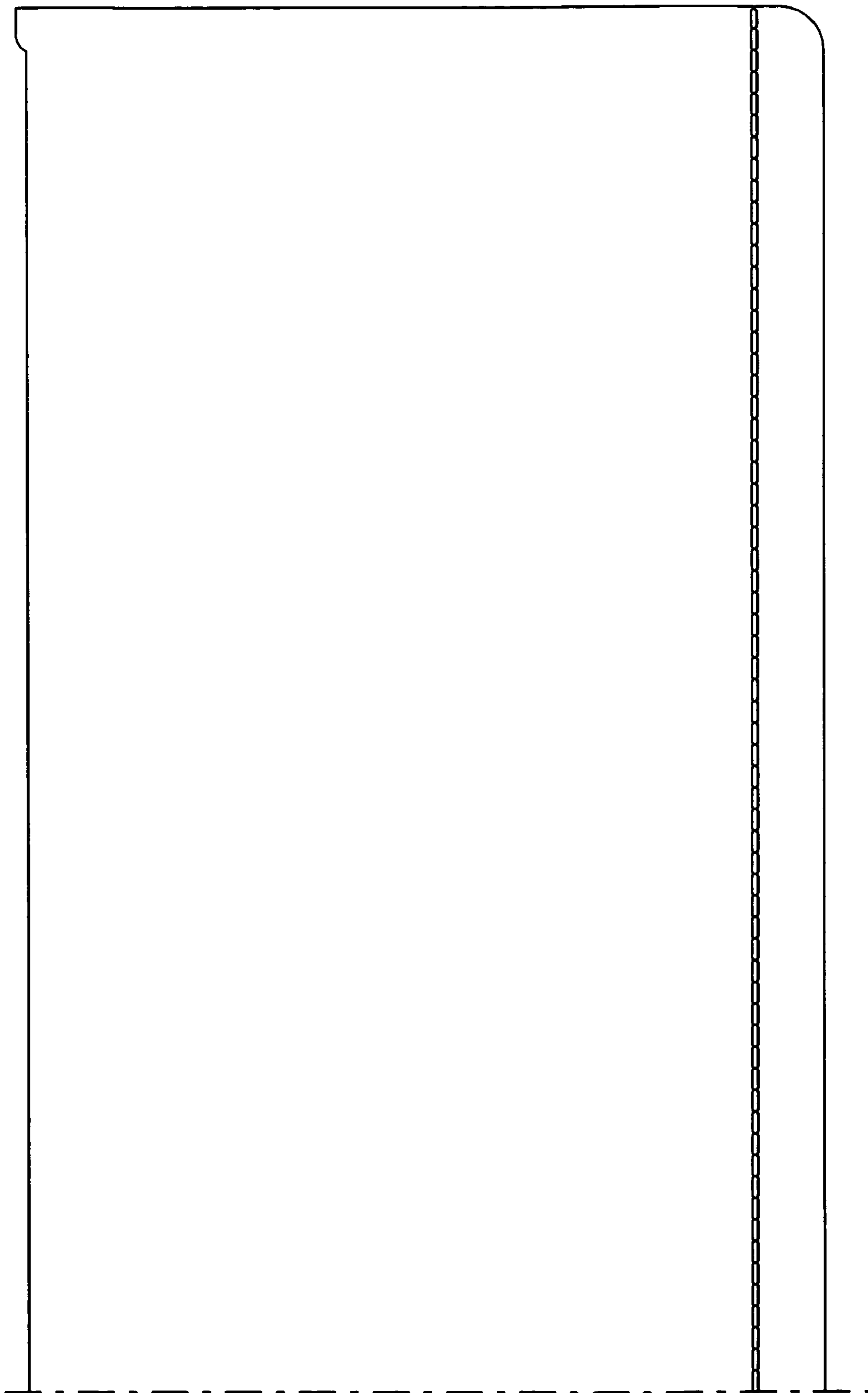


Fig. 1

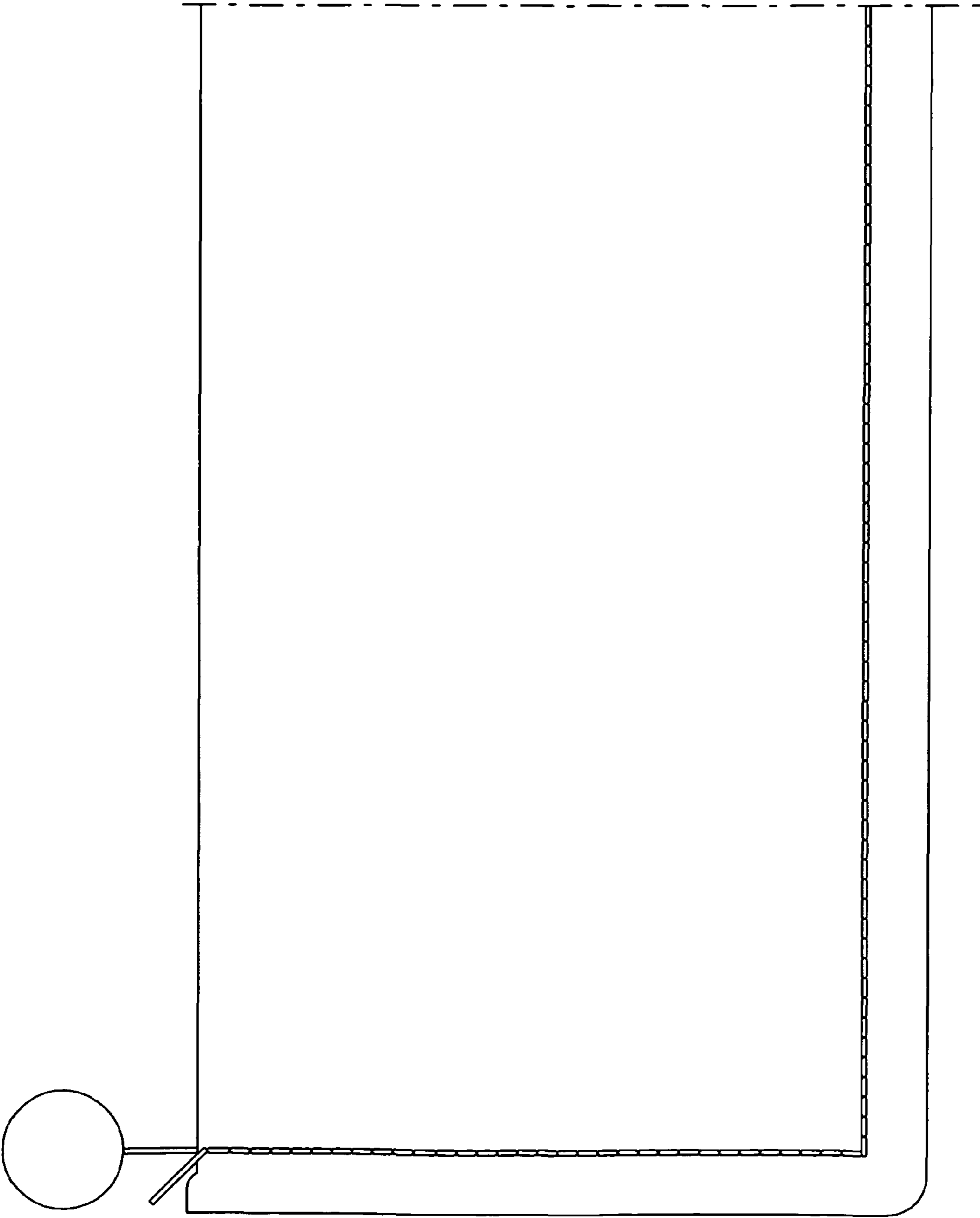


Fig. 1A

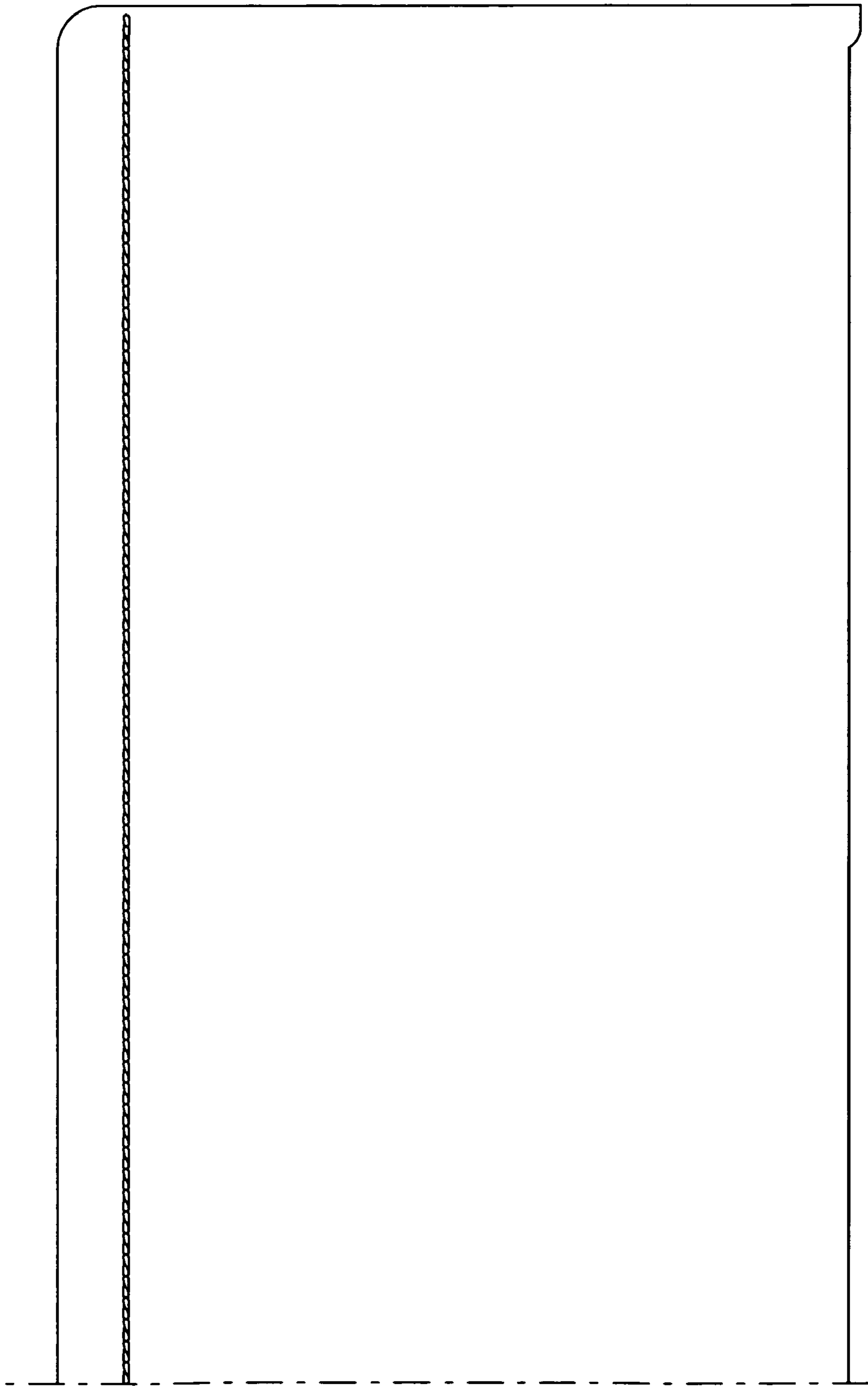


Fig. 2

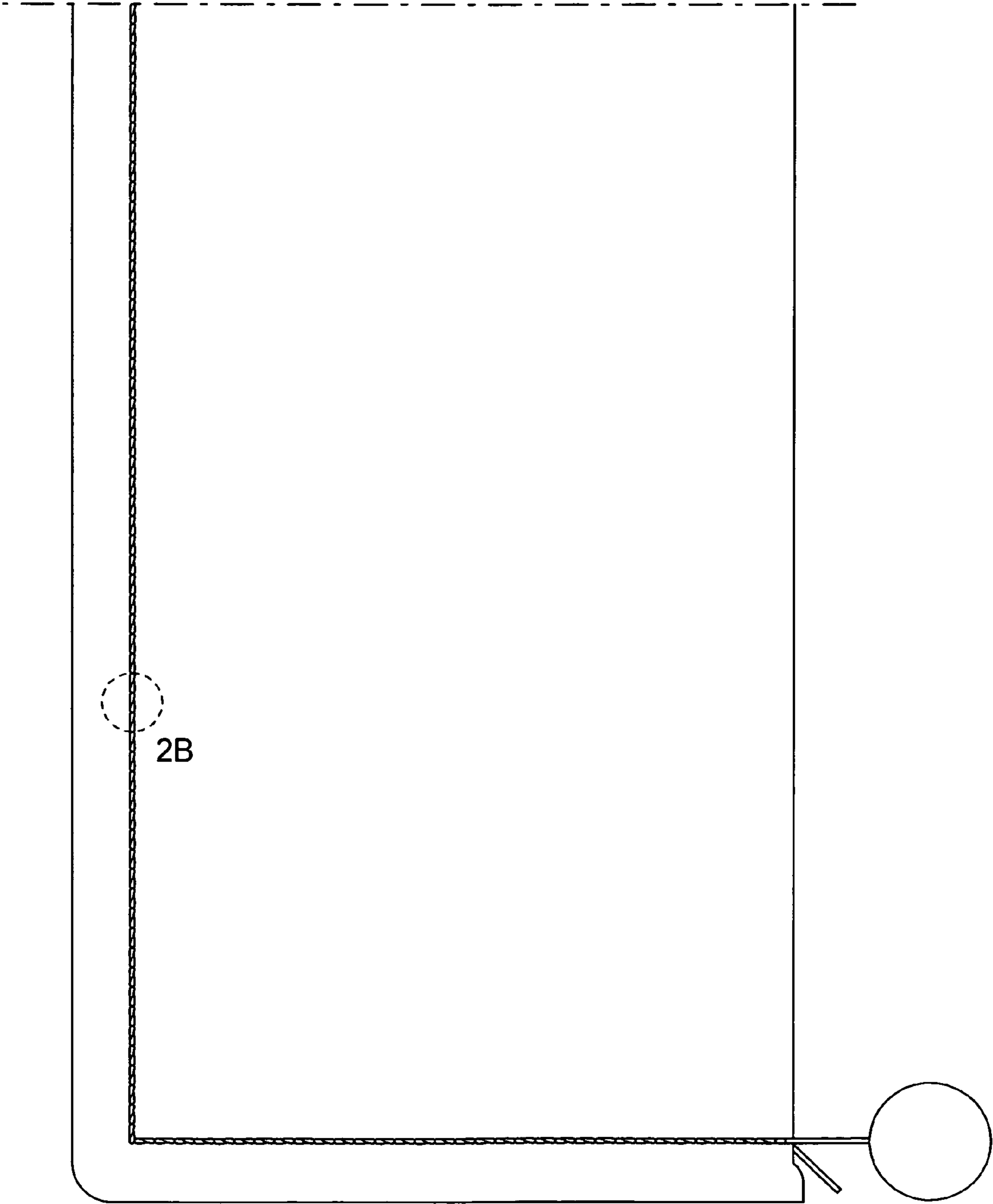


Fig. 2A

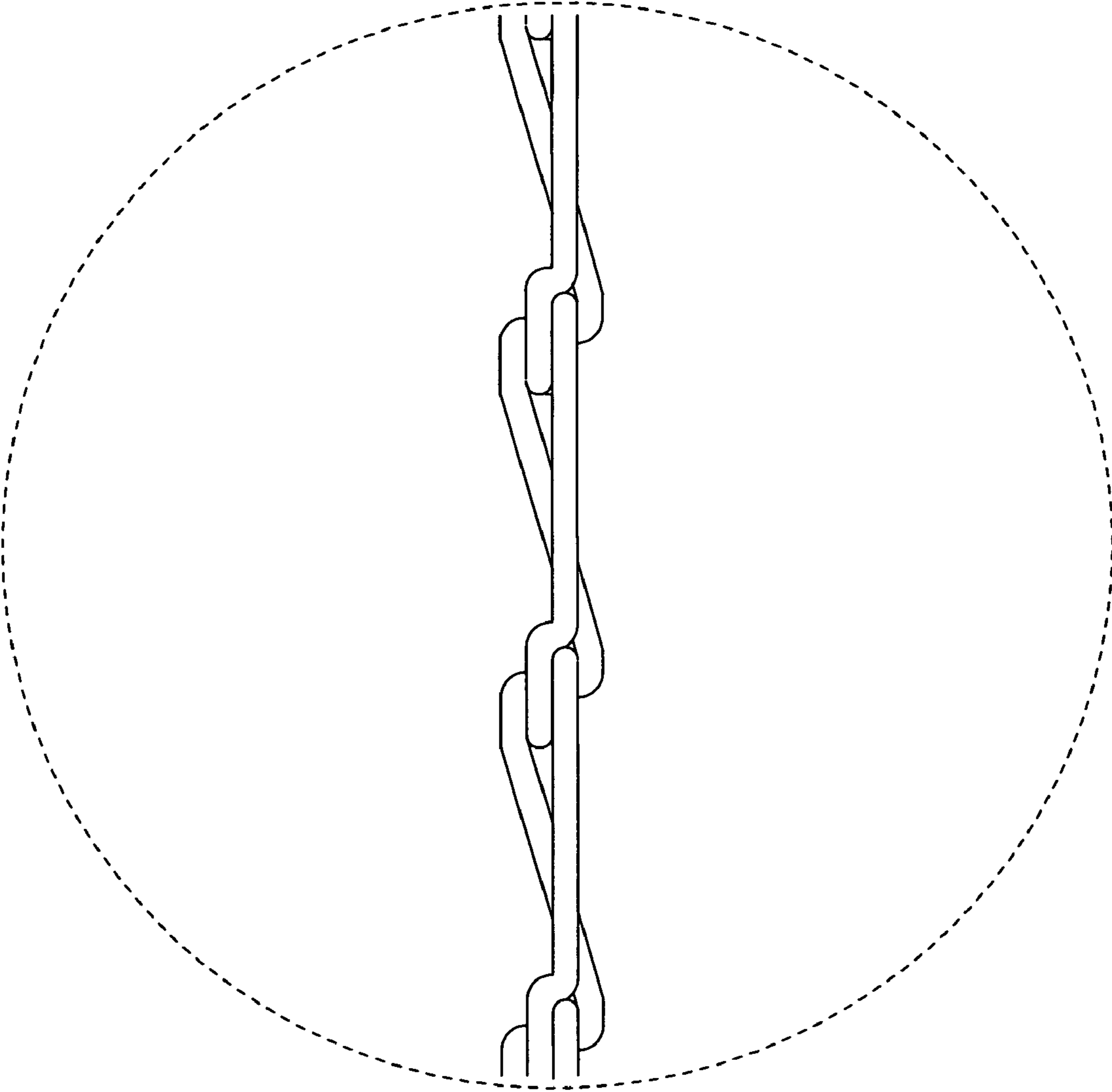


Fig. 2B

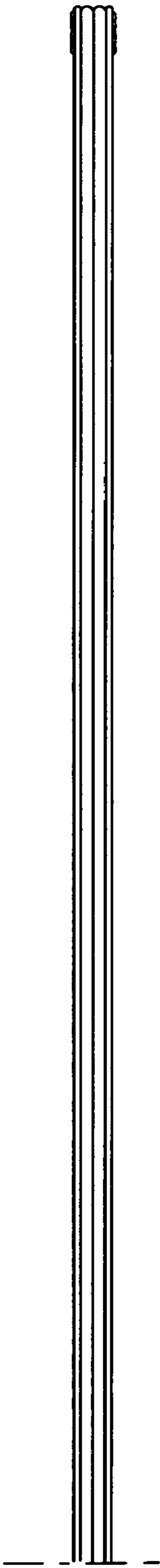


Fig. 3

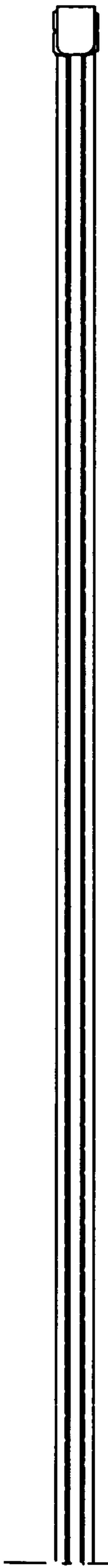


Fig. 4

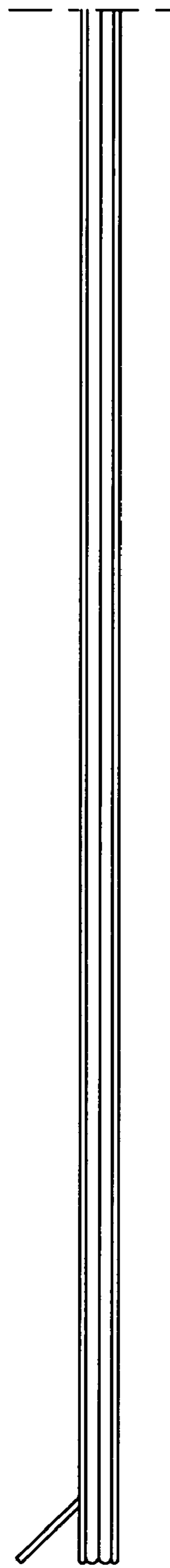


Fig. 3A

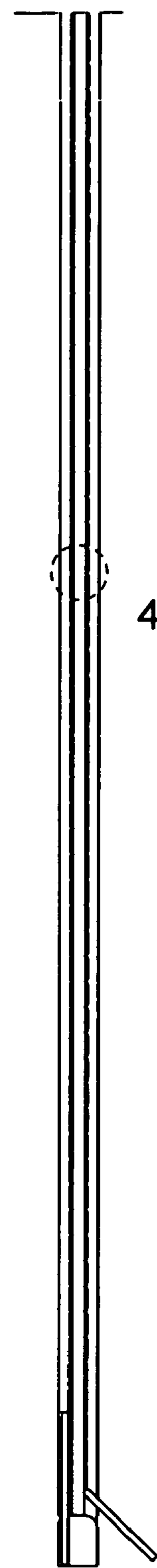


Fig. 4A

4B



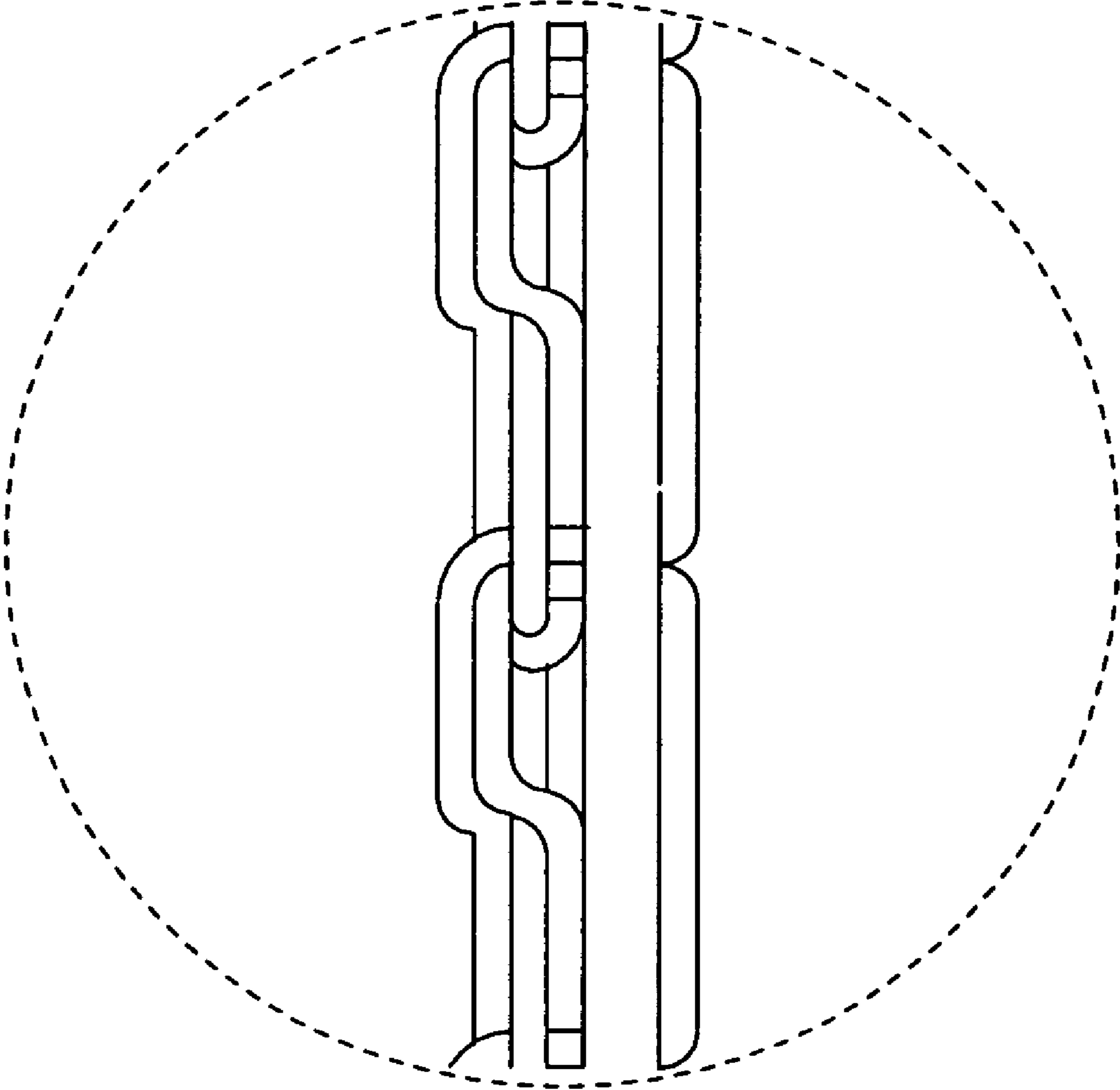


Fig. 4B

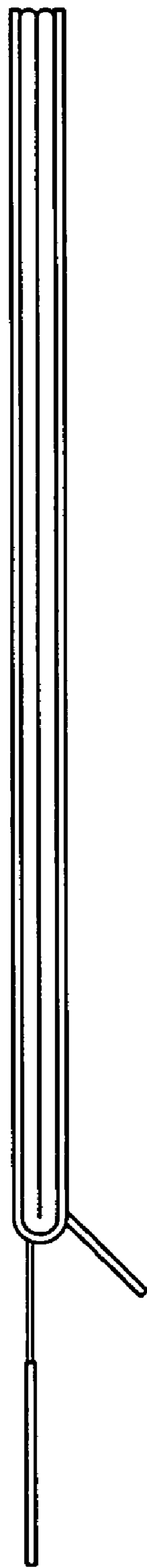


Fig. 5



Fig. 6

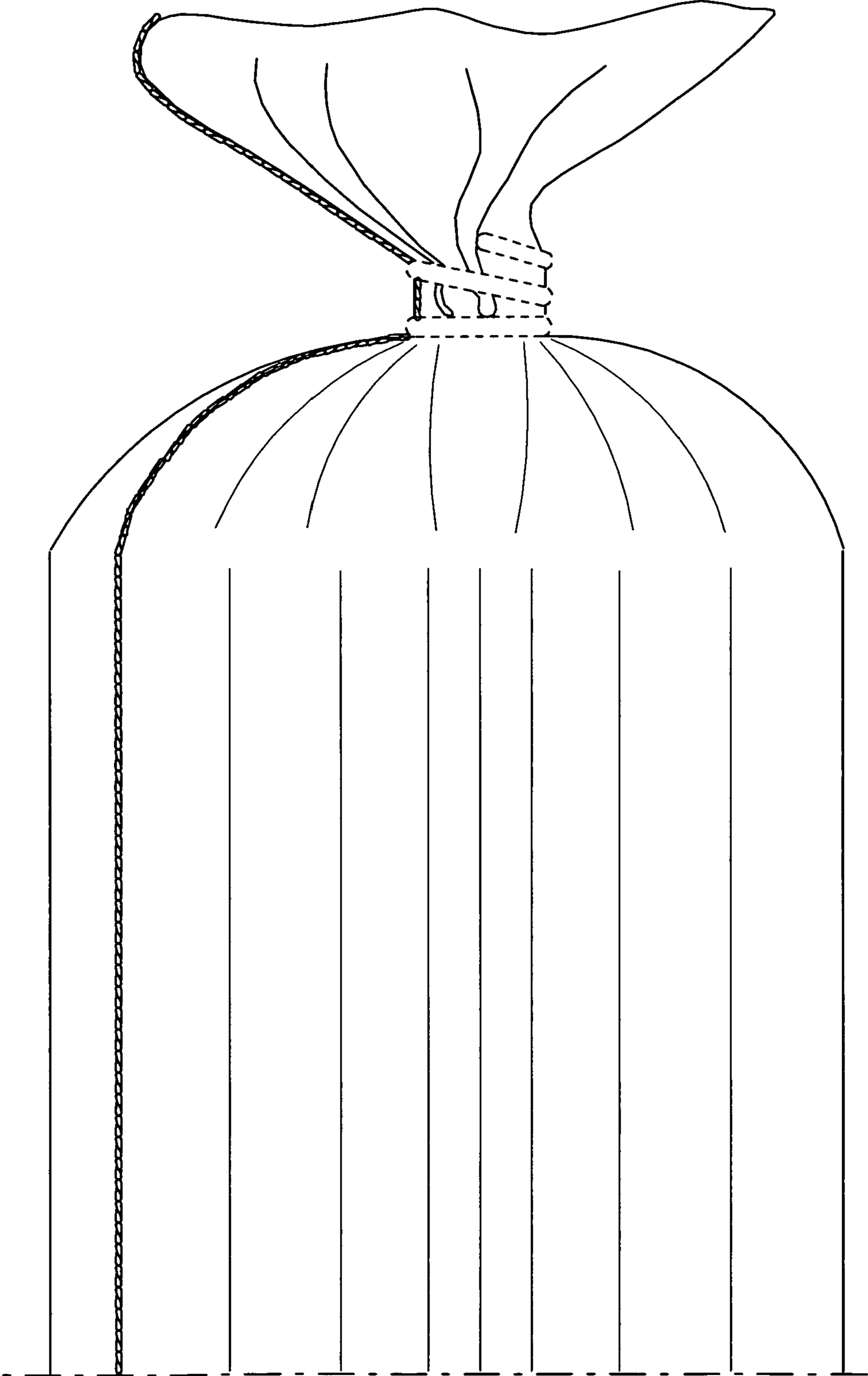


Fig. 7

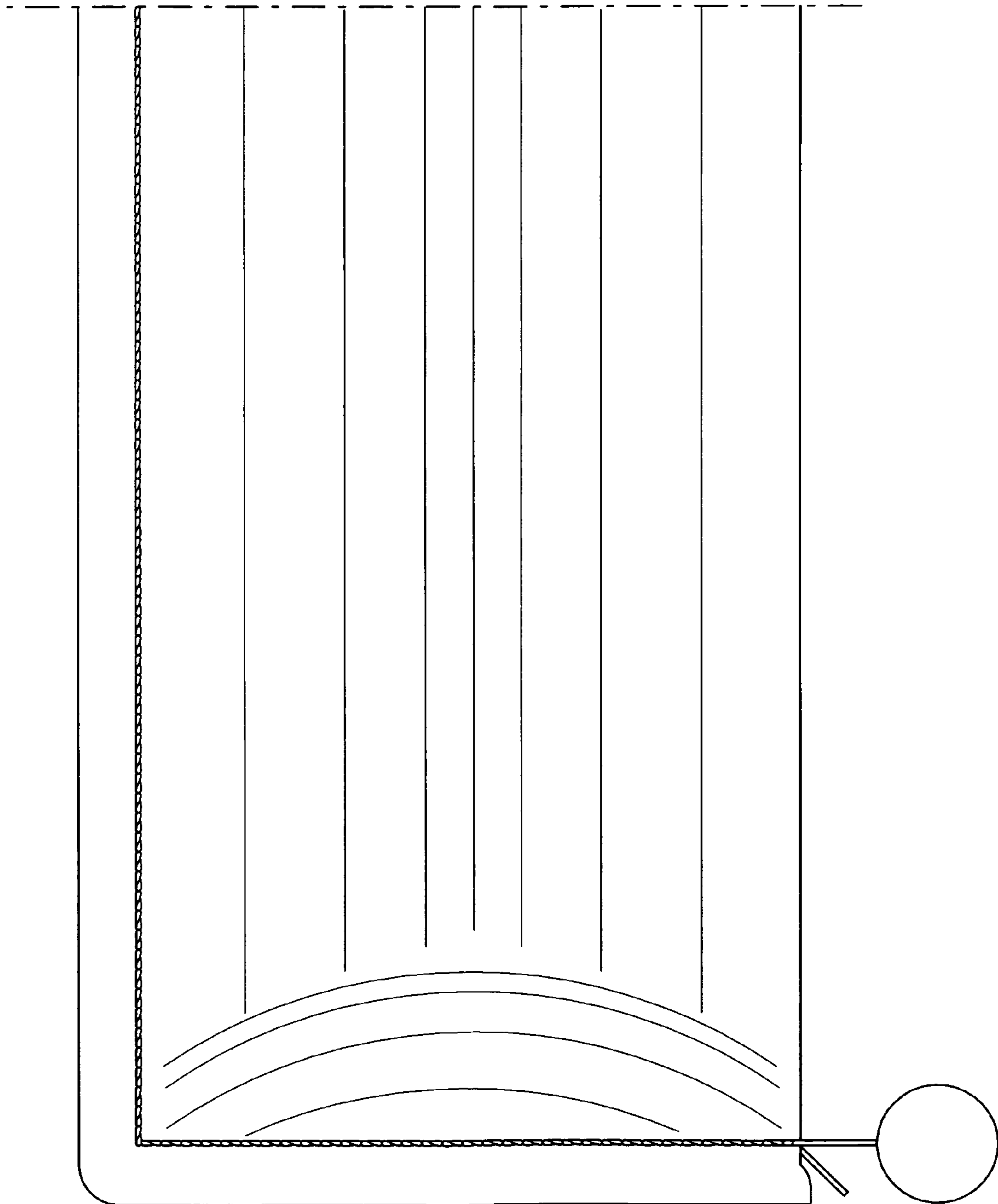


Fig. 7A

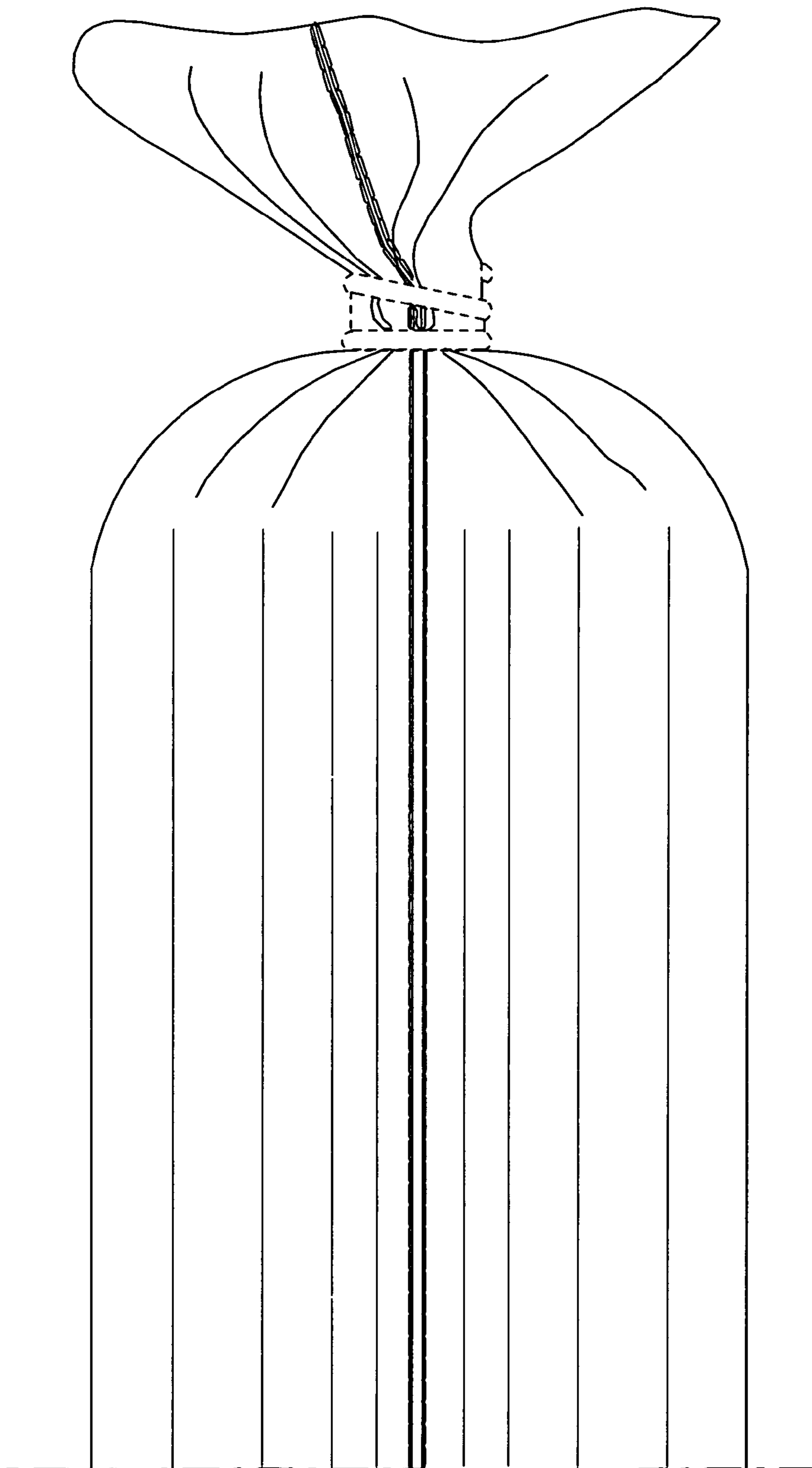


Fig. 8

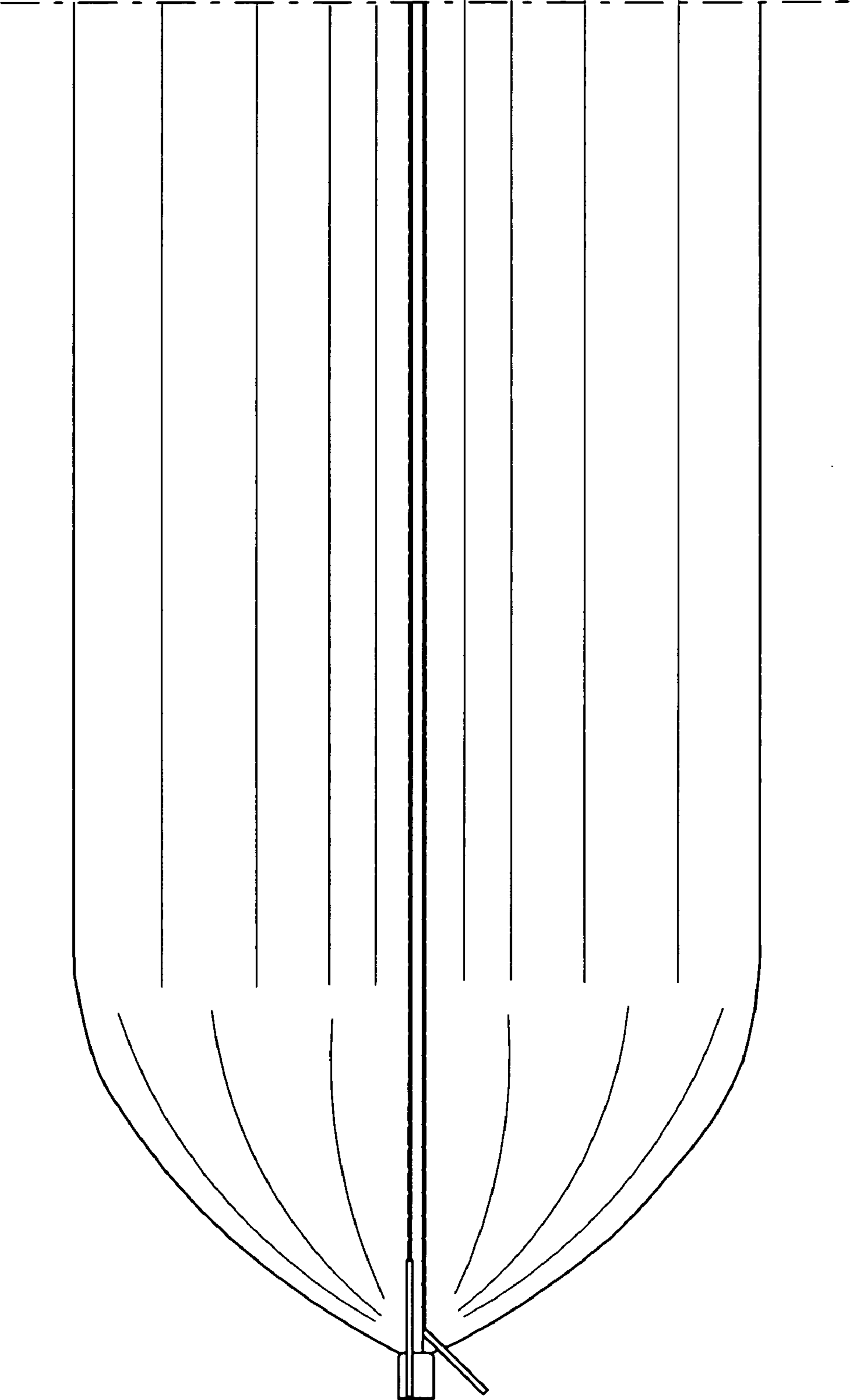


Fig. 8A

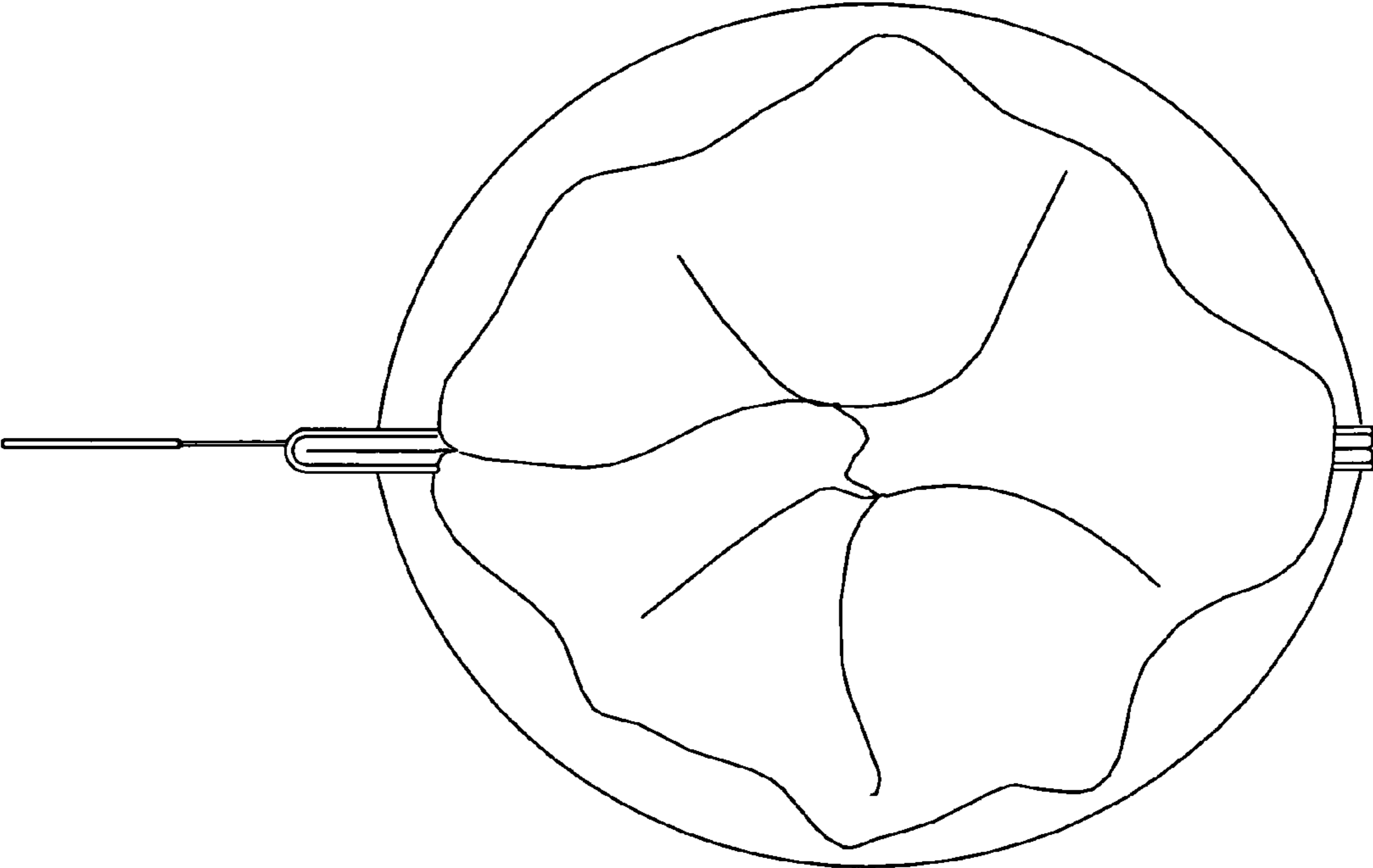


Fig. 9

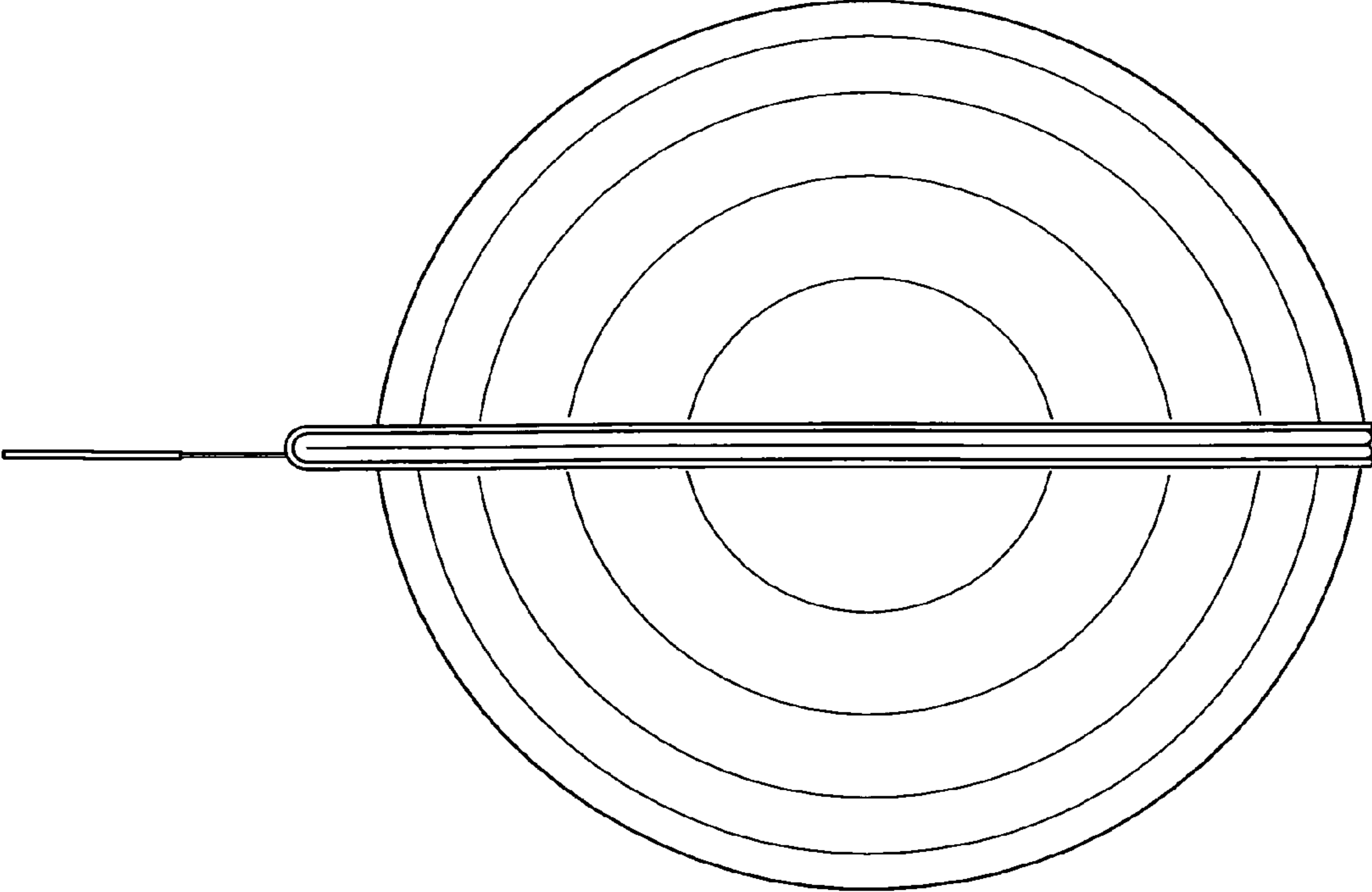


Fig. 10

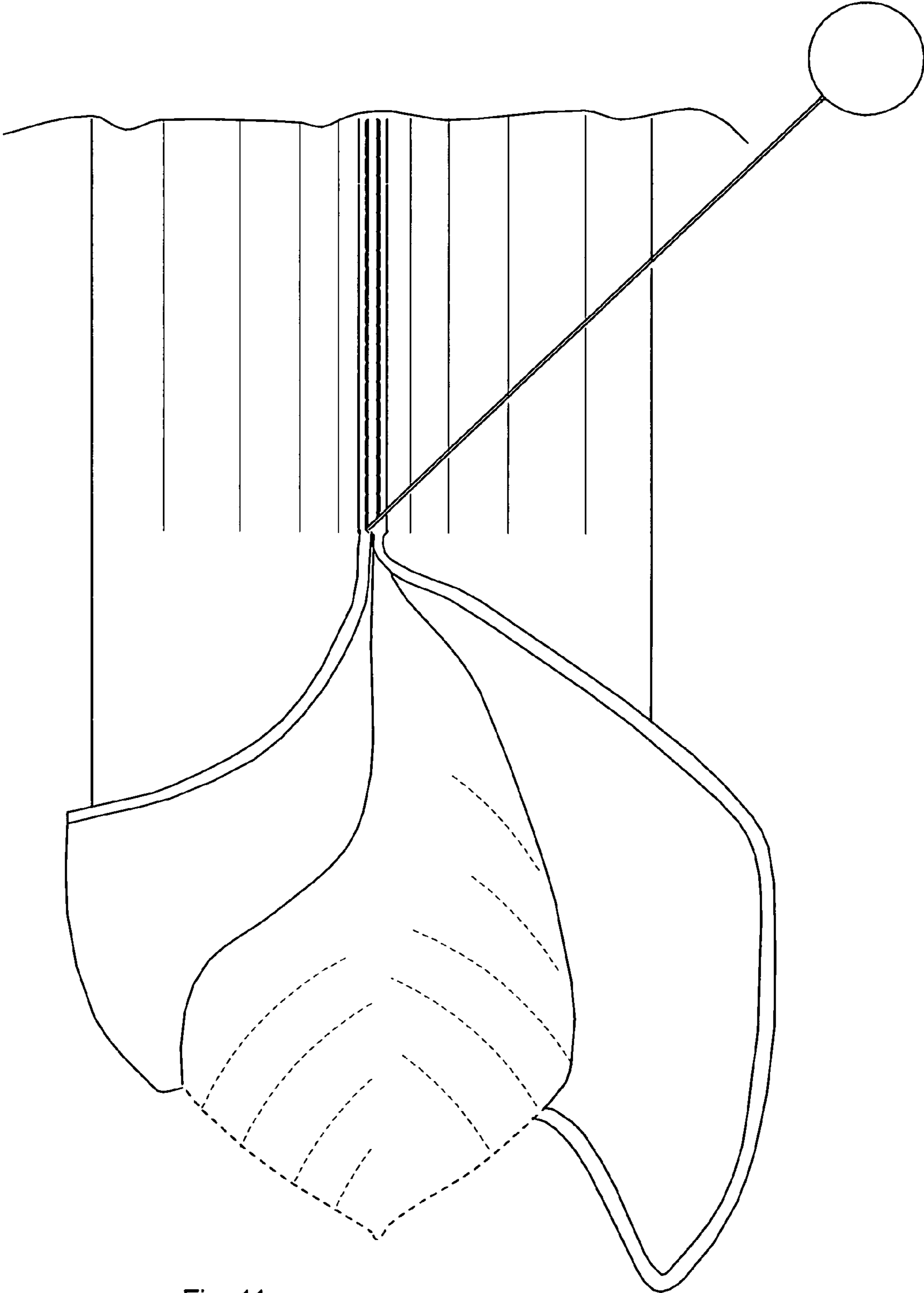


Fig. 11



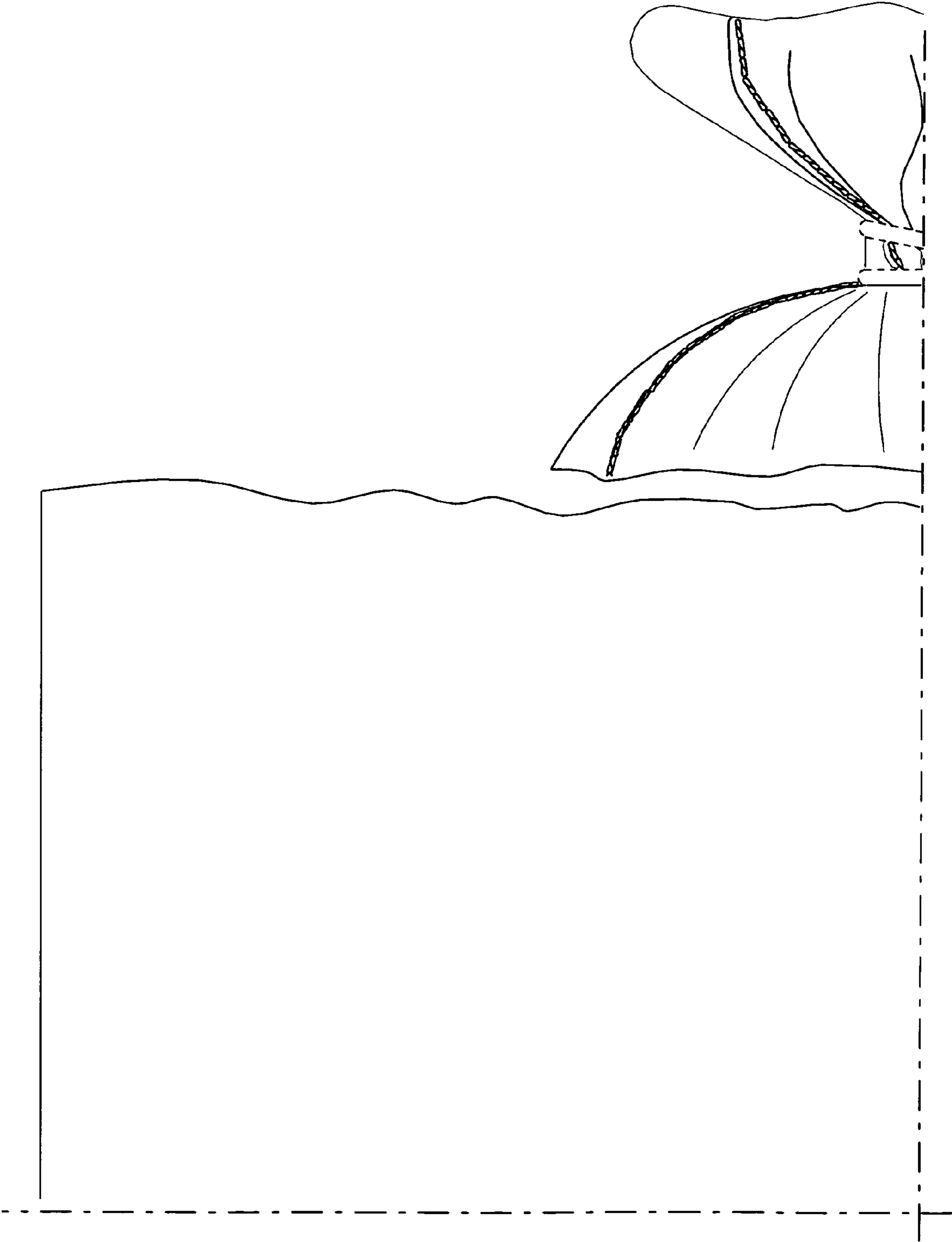


Fig. 12

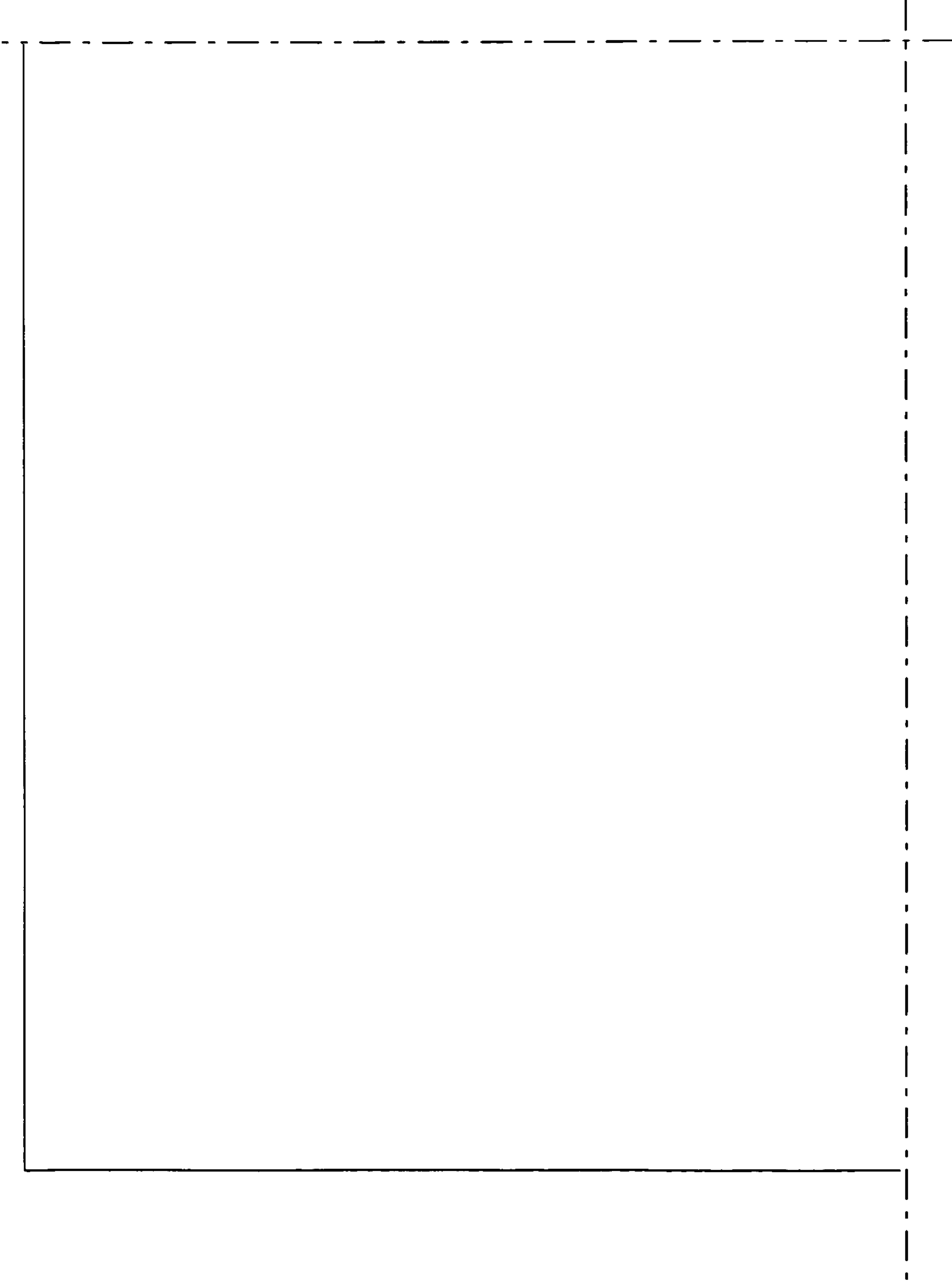


Fig. 12A

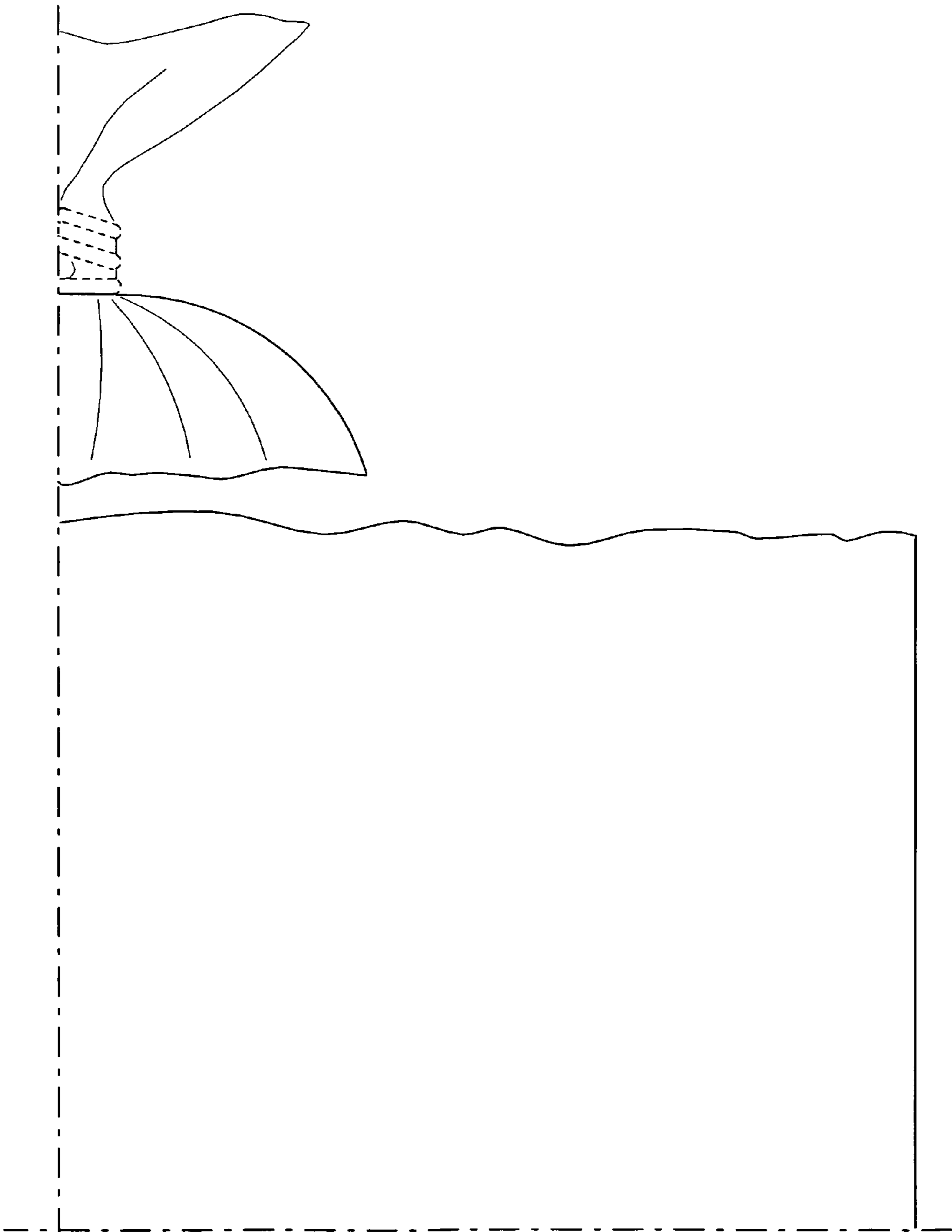


Fig. 13

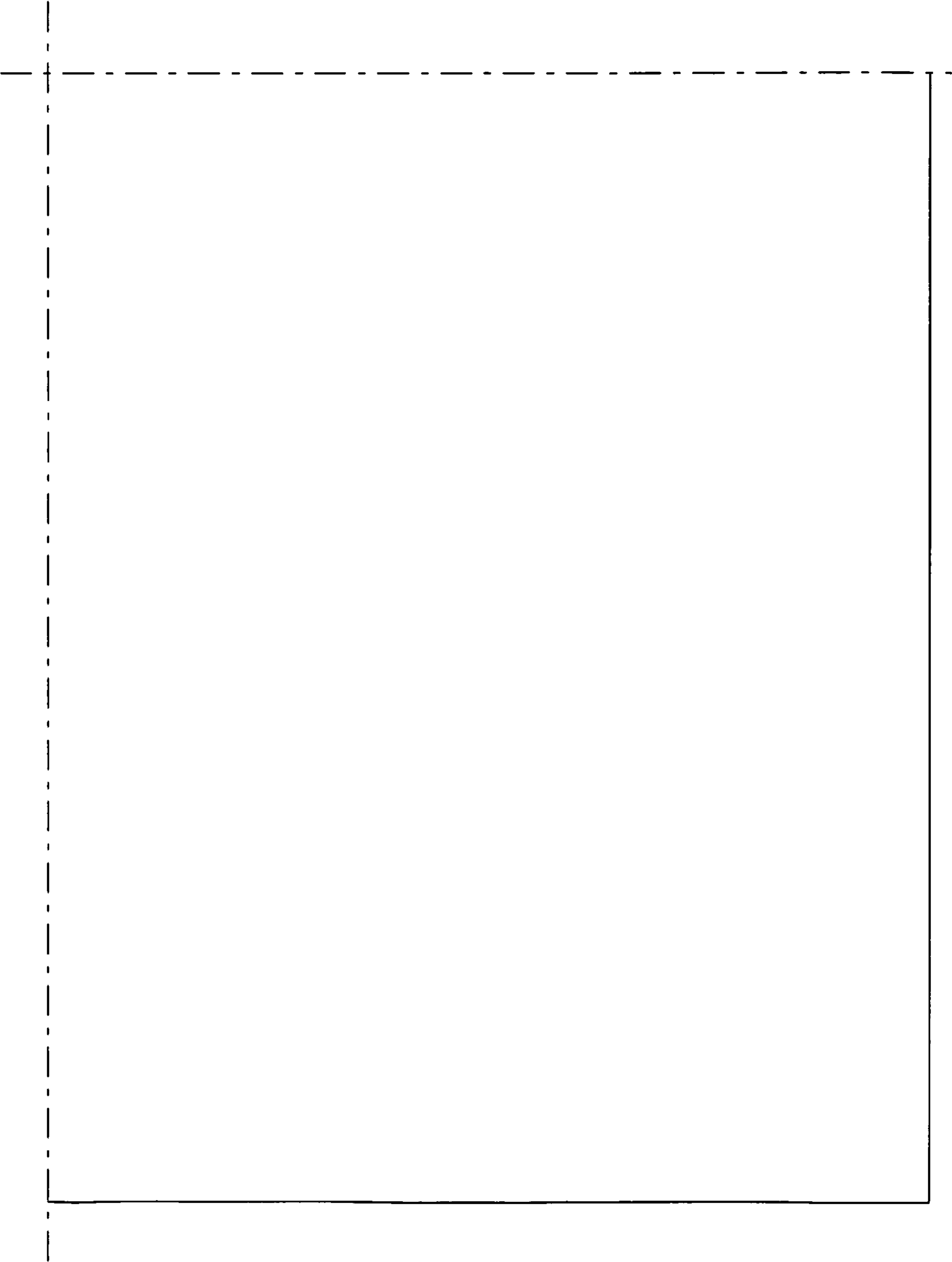


Fig 13A