



US00D649459S

(12) **United States Design Patent**
Castillo Higareda et al.

(10) **Patent No.:** **US D649,459 S**
(45) **Date of Patent:** **** Nov. 29, 2011**

(54) **SPRAYER SHROUD**

(75) Inventors: **Jose de Jesus Castillo Higareda**,
Racine, WI (US); **Peter M. Neumann**,
Racine, WI (US); **Jacqueline V. Lepow**,
Franklin, WI (US)

(73) Assignee: **S.C. Johnson & Son, Inc.**, Racine, WI
(US)

(**) Term: **14 Years**

(21) Appl. No.: **29/363,363**

(22) Filed: **Jun. 8, 2010**

(51) **LOC (9) Cl.** **09-07**

(52) **U.S. Cl.** **D9/448**

(58) **Field of Classification Search** D9/685,
D9/682, 456, 448, 447, 435, 434, 415; D23/227,
D23/226, 213; 222/556-557, 402.13, 383.1,
222/281, 251, 182

See application file for complete search history.

(56) **References Cited**

U.S. PATENT DOCUMENTS

D178,338 S	7/1956	Collins	
D244,991 S	7/1977	Weckman et al.	
D256,946 S	9/1980	Campbell et al.	
D328,712 S	8/1992	Butler et al.	
D358,198 S	5/1995	Wadsworth	
D366,692 S	1/1996	Wadsworth	
D377,602 S *	1/1997	Wadsworth	D9/448
D381,581 S	7/1997	Wadsworth	
D406,052 S	2/1999	Dumont et al.	
D406,060 S	2/1999	Dumont et al.	
D409,487 S	5/1999	Wadsworth et al.	
D409,915 S *	5/1999	Durliat et al.	D9/448

D419,875 S	2/2000	Wadsworth et al.	
D421,388 S	3/2000	Cummings	
D422,216 S	4/2000	Brozell	
6,138,873 A	10/2000	Gramola	
6,264,073 B1	7/2001	Good et al.	
D451,792 S	12/2001	Guislain	
D454,778 S	3/2002	Siebert et al.	
D454,779 S	3/2002	Siebert et al.	
D454,787 S	3/2002	Cummings	
D462,608 S	9/2002	Sweeton	
D468,194 S	1/2003	Siebert et al.	
D487,223 S	3/2004	Arai et al.	
D494,866 S	8/2004	Guala	
D519,371 S	4/2006	Hornsby et al.	
D568,153 S	5/2008	Harrison et al.	
D579,330 S *	10/2008	Sweeton et al.	D9/448
D588,455 S *	3/2009	Sweeton et al.	D9/448

* cited by examiner

Primary Examiner — Susan Bennett Hattan

(57) **CLAIM**

The ornamental design for a sprayer shroud, as shown and described.

DESCRIPTION

FIG. 1 is a perspective view showing the sprayer shroud;
FIG. 2 is a left side view thereof;
FIG. 3 is a right side view thereof;
FIG. 4 is a front view thereof;
FIG. 5 is a rear view thereof;
FIG. 6 is a top view thereof; and,
FIG. 7 is a bottom view thereof.

The broken lines appearing in FIGS. 1-7 disclose environment related to the claimed design, and therefore form no part of the claimed design.

1 Claim, 3 Drawing Sheets

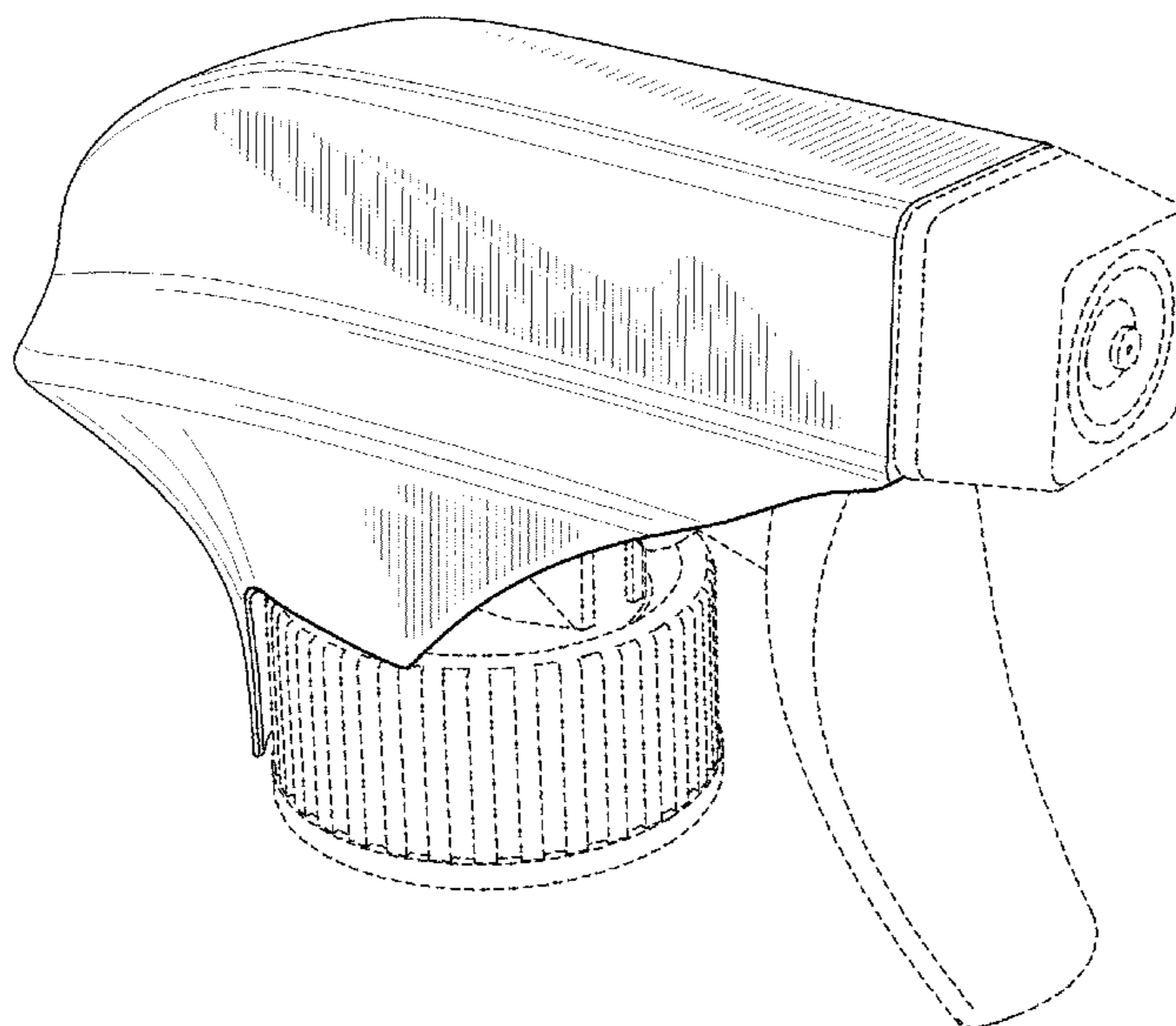


FIG. 1

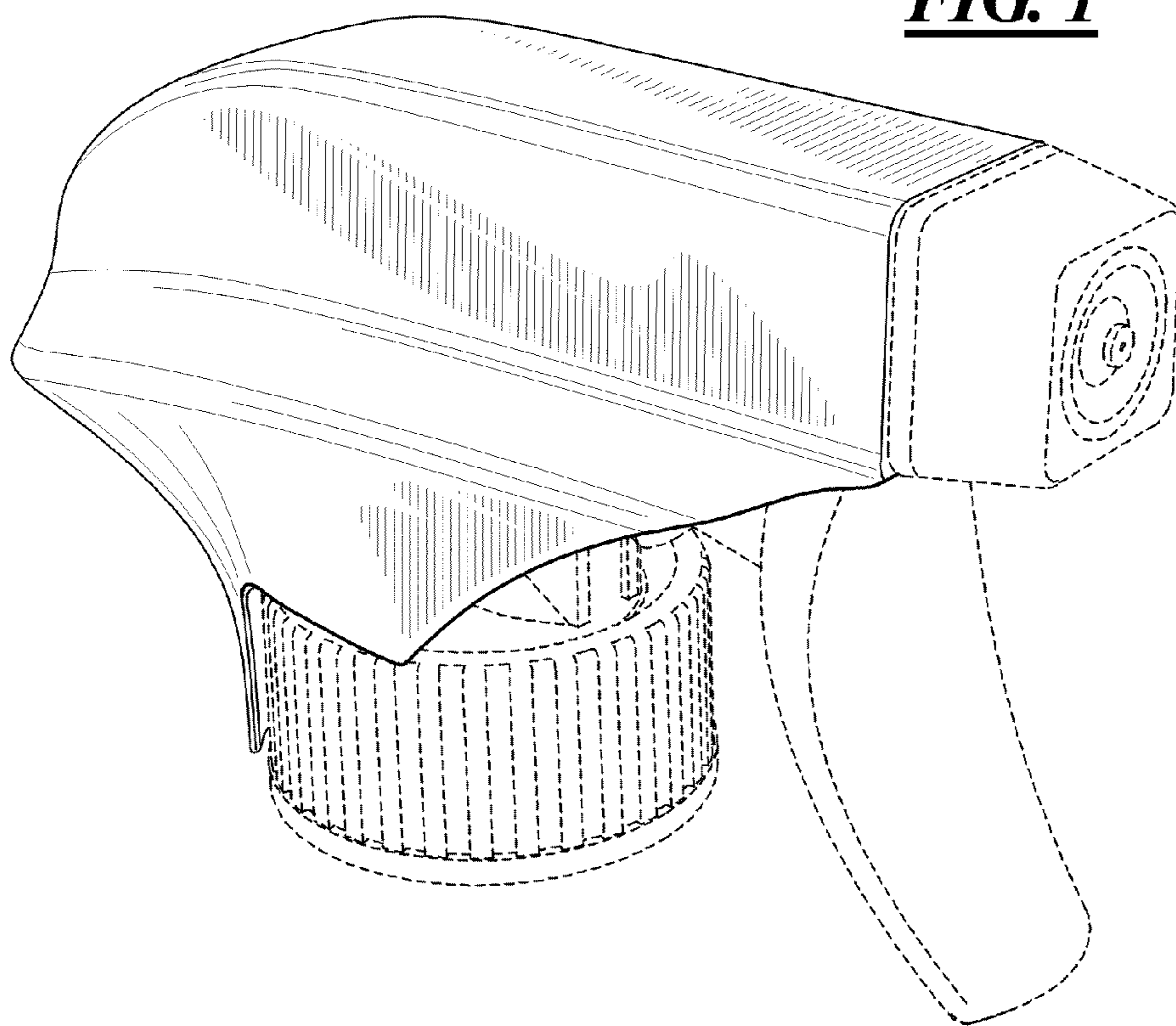


FIG. 2

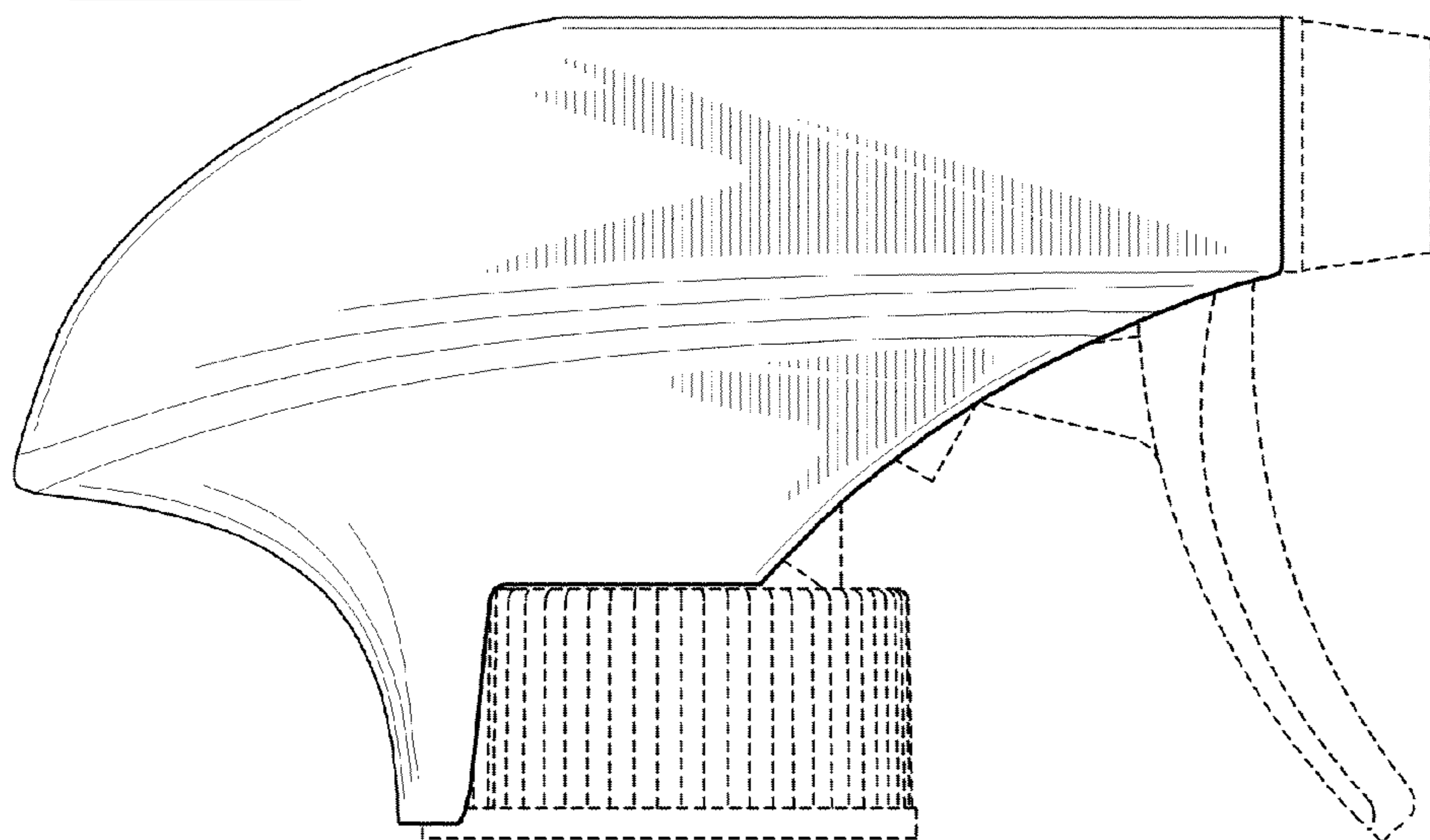


FIG. 3

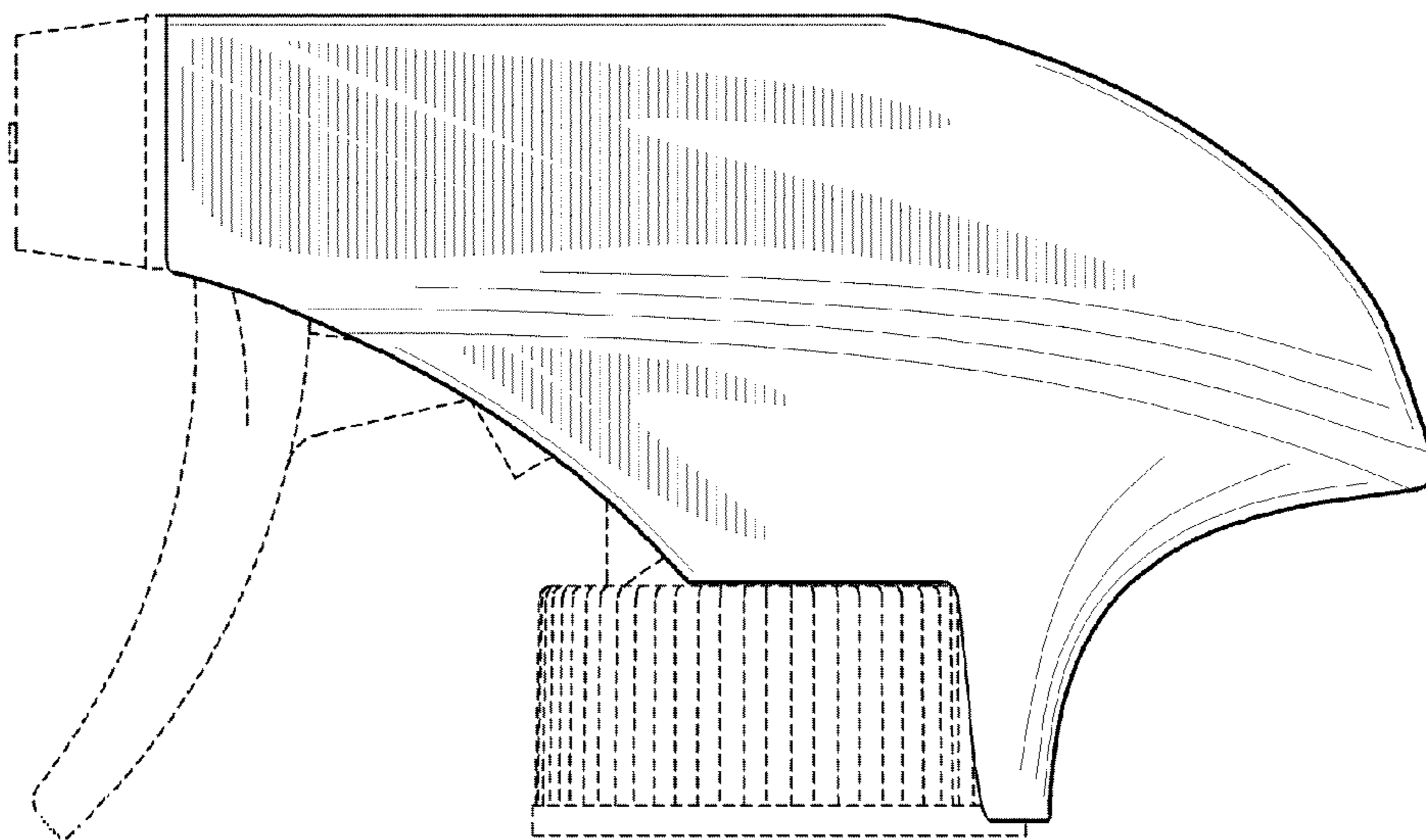


FIG. 4

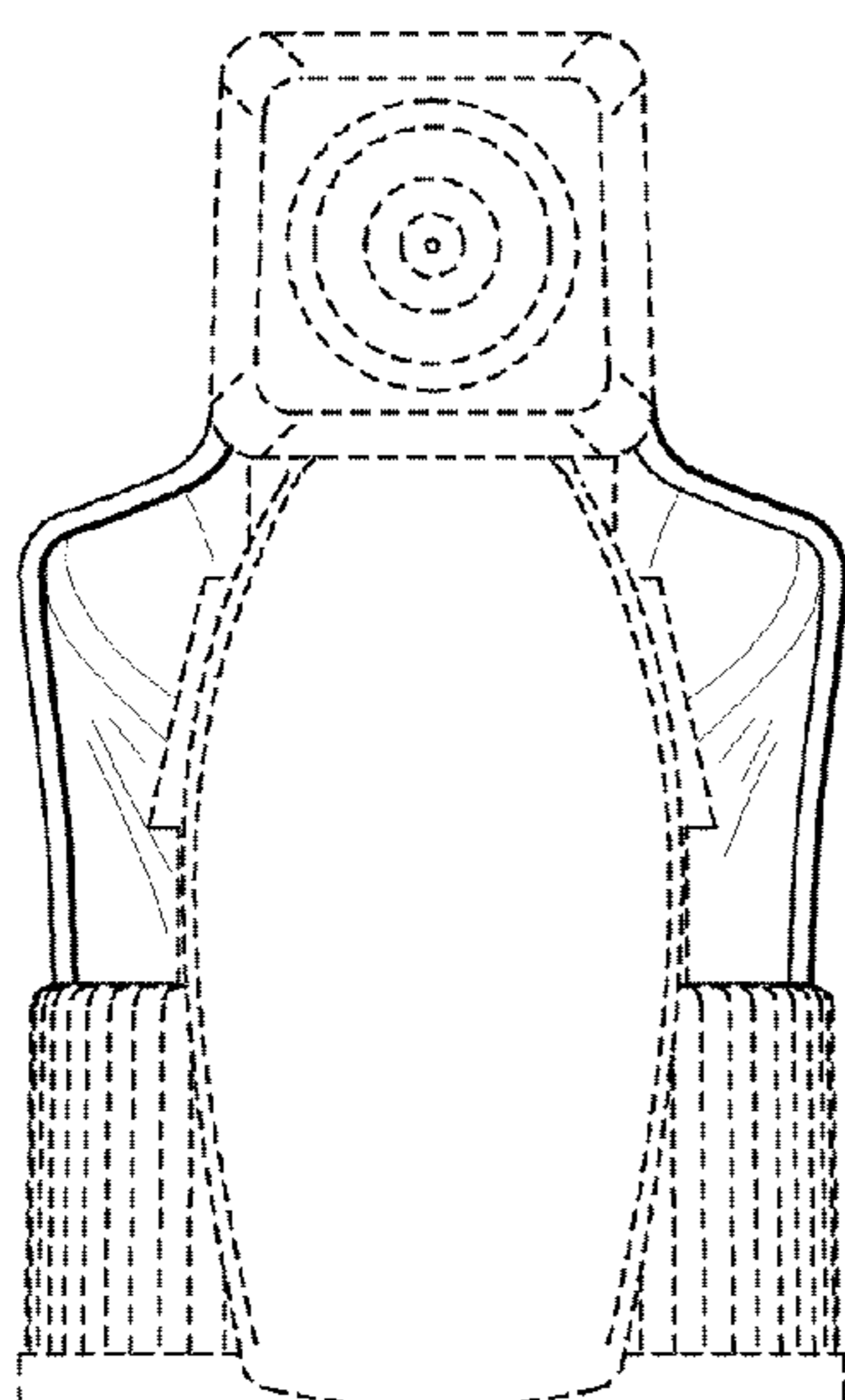


FIG. 5

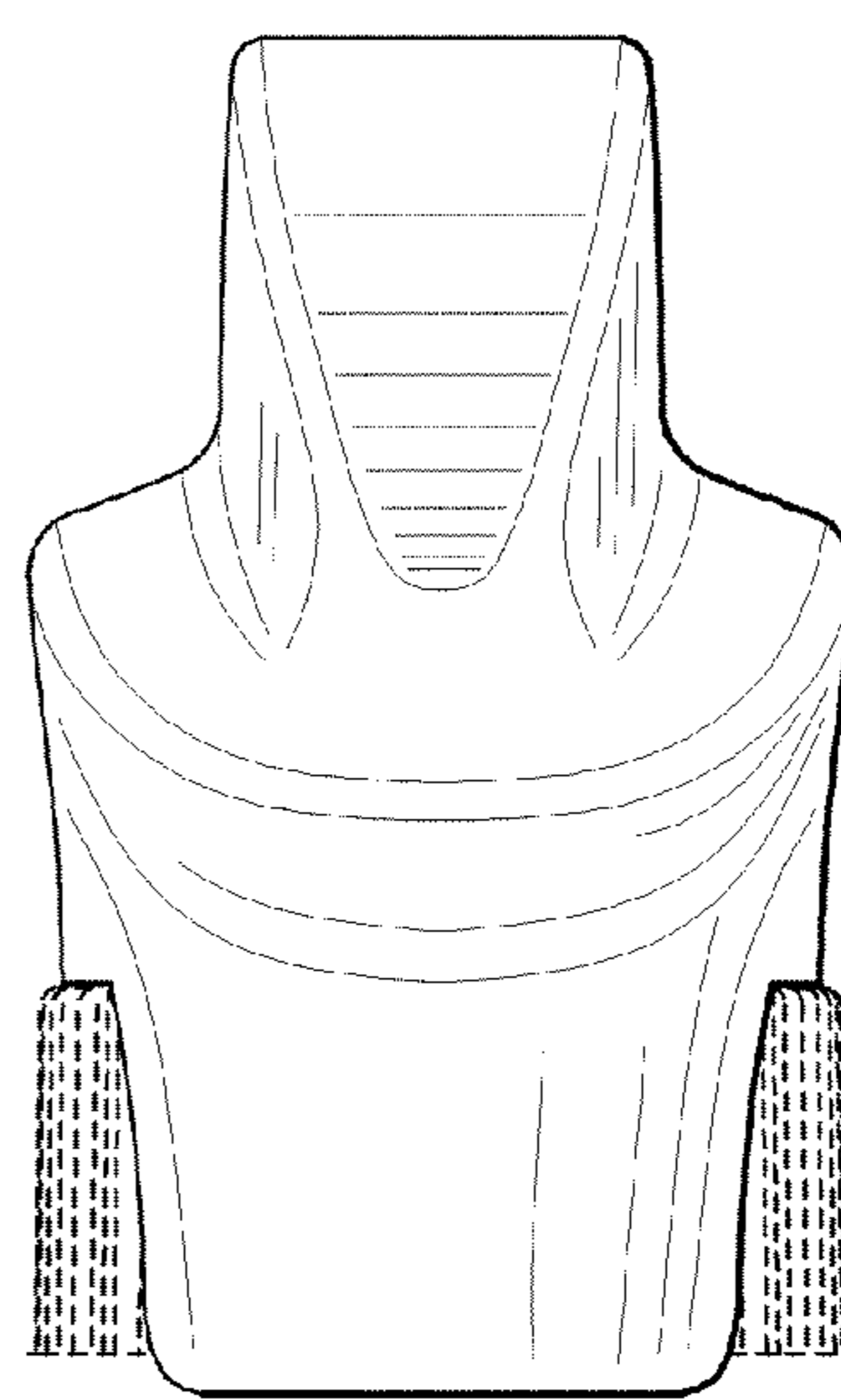


FIG. 6

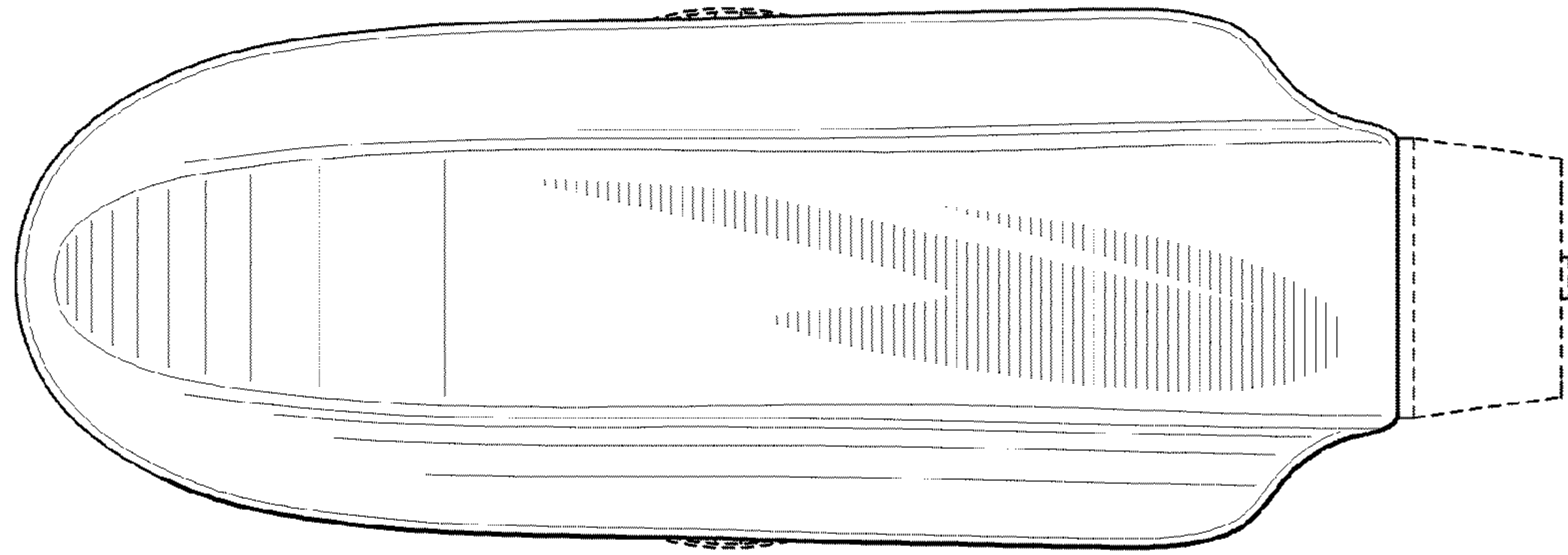


FIG. 7

