



US00D649458S

(12) **United States Design Patent**
Neumann et al.

(10) **Patent No.:** **US D649,458 S**
(45) **Date of Patent:** **** Nov. 29, 2011**

- (54) **SPRAYER SHROUD**
- (75) Inventors: **Peter M. Neumann**, Racine, WI (US);
Jose de Jesus Castillo Higareda,
Racine, WI (US); **Gary B. Swetish**,
Racine, WI (US)
- (73) Assignee: **S.C. Johnson & Son, Inc.**, Racine, WI
(US)
- (**) Term: **14 Years**
- (21) Appl. No.: **29/363,355**
- (22) Filed: **Jun. 8, 2010**
- (51) **LOC (9) Cl.** **09-07**
- (52) **U.S. Cl.** **D9/448**
- (58) **Field of Classification Search** D9/685,
D9/682, 456, 448, 447, 435, 434, 415; D23/227,
D23/226, 213; 222/556-557, 402.13, 383.1,
222/281, 251, 182
See application file for complete search history.

- D419,875 S 2/2000 Wadsworth et al.
- D421,388 S 3/2000 Cummings
- D422,216 S 4/2000 Brozell
- 6,138,873 A 10/2000 Gramola
- 6,264,073 B1 7/2001 Good et al.
- D451,792 S 12/2001 Siebert et al.
- D454,778 S 3/2002 Siebert et al.
- D454,779 S 3/2002 Siebert et al.
- D454,787 S 3/2002 Cummings
- D462,608 S 9/2002 Sweeton
- D468,194 S 1/2003 Siebert et al.
- D487,223 S 3/2004 Arai et al.
- D494,866 S 8/2004 Guala
- D519,371 S 4/2006 Hornsby et al.
- D568,153 S 5/2008 Harrison et al.
- D579,330 S * 10/2008 Sweeton et al. D9/448
- D588,455 S * 3/2009 Sweeton et al. D9/448

* cited by examiner

Primary Examiner — Susan Bennett Hattan

(57) **CLAIM**
The ornamental design for a sprayer shroud, as shown and described.

DESCRIPTION

FIG. 1 is a perspective view showing the sprayer shroud;
FIG. 2 is a left side view thereof;
FIG. 3 is a right side view thereof;
FIG. 4 is a front view thereof;
FIG. 5 is a rear view thereof;
FIG. 6 is a top view thereof; and,
FIG. 7 is a bottom view thereof.
The broken lines appearing in FIGS. 1-7 disclose environ-
ment related to the claimed design, and therefore form no part
of the claimed design.

1 Claim, 3 Drawing Sheets

(56) **References Cited**

U.S. PATENT DOCUMENTS

- D178,338 S 7/1956 Collins
- D244,991 S 7/1977 Weckman et al.
- D256,946 S 9/1980 Campbell et al.
- D328,712 S 8/1992 Butler et al.
- D358,198 S 5/1995 Wadsworth
- D366,692 S 1/1996 Wadsworth
- D377,602 S * 1/1997 Wadsworth D9/448
- D381,581 S 7/1997 Wadsworth
- D406,052 S 2/1999 Dumont et al.
- D406,060 S 2/1999 Dumont et al.
- D409,487 S 5/1999 Wadsworth et al.
- D409,915 S * 5/1999 Durliat et al. D9/448

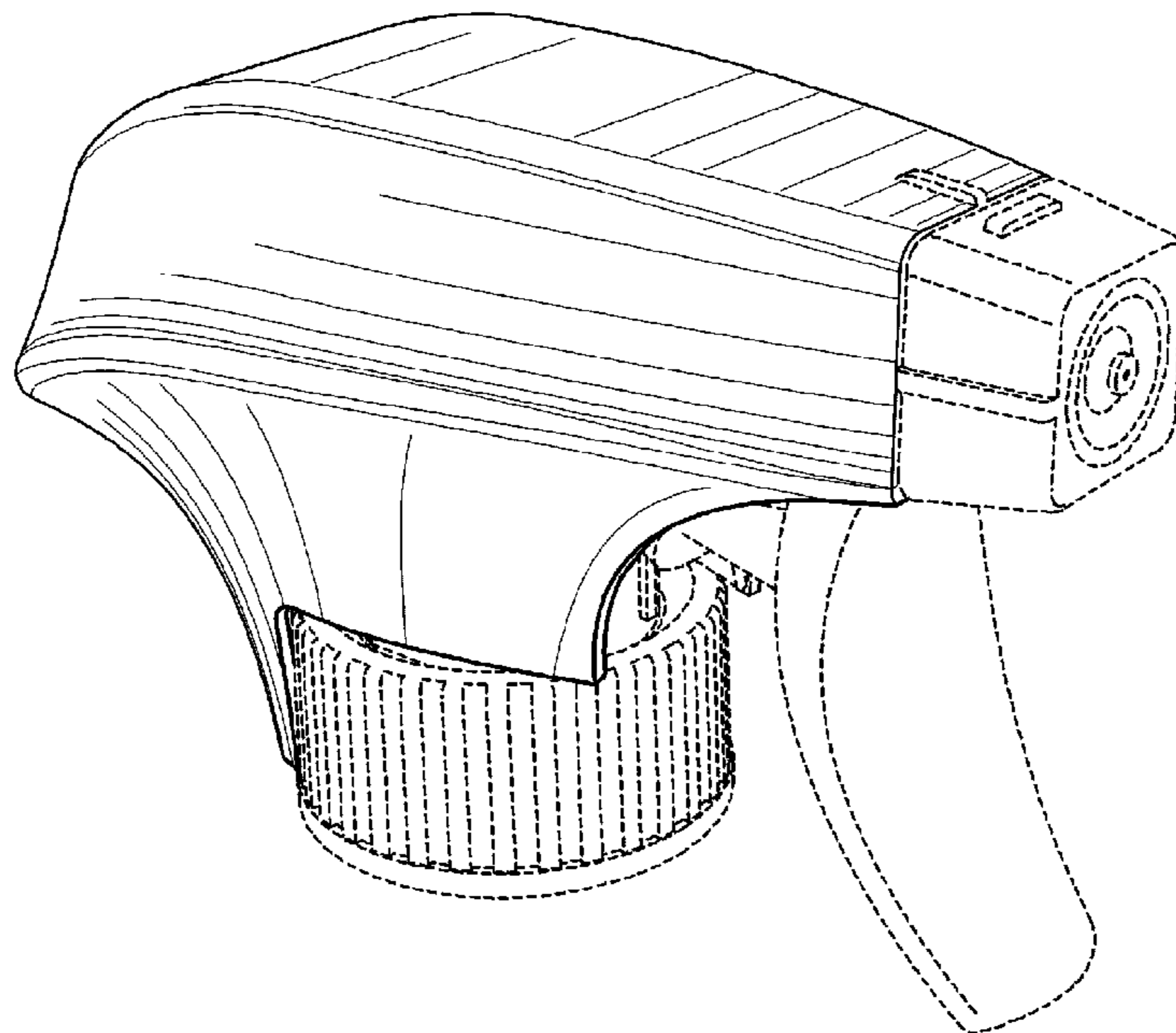


FIG. 1

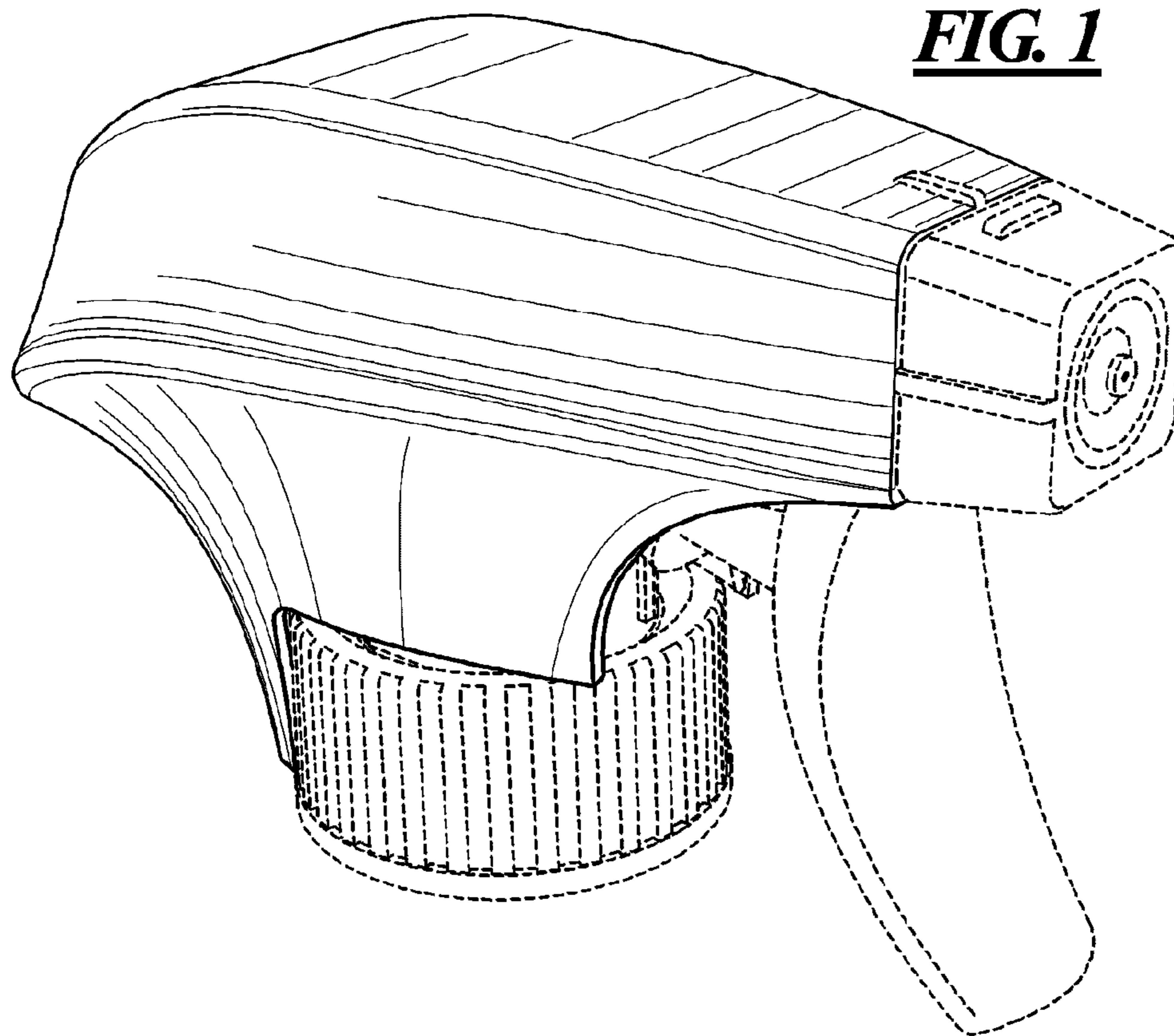


FIG. 2

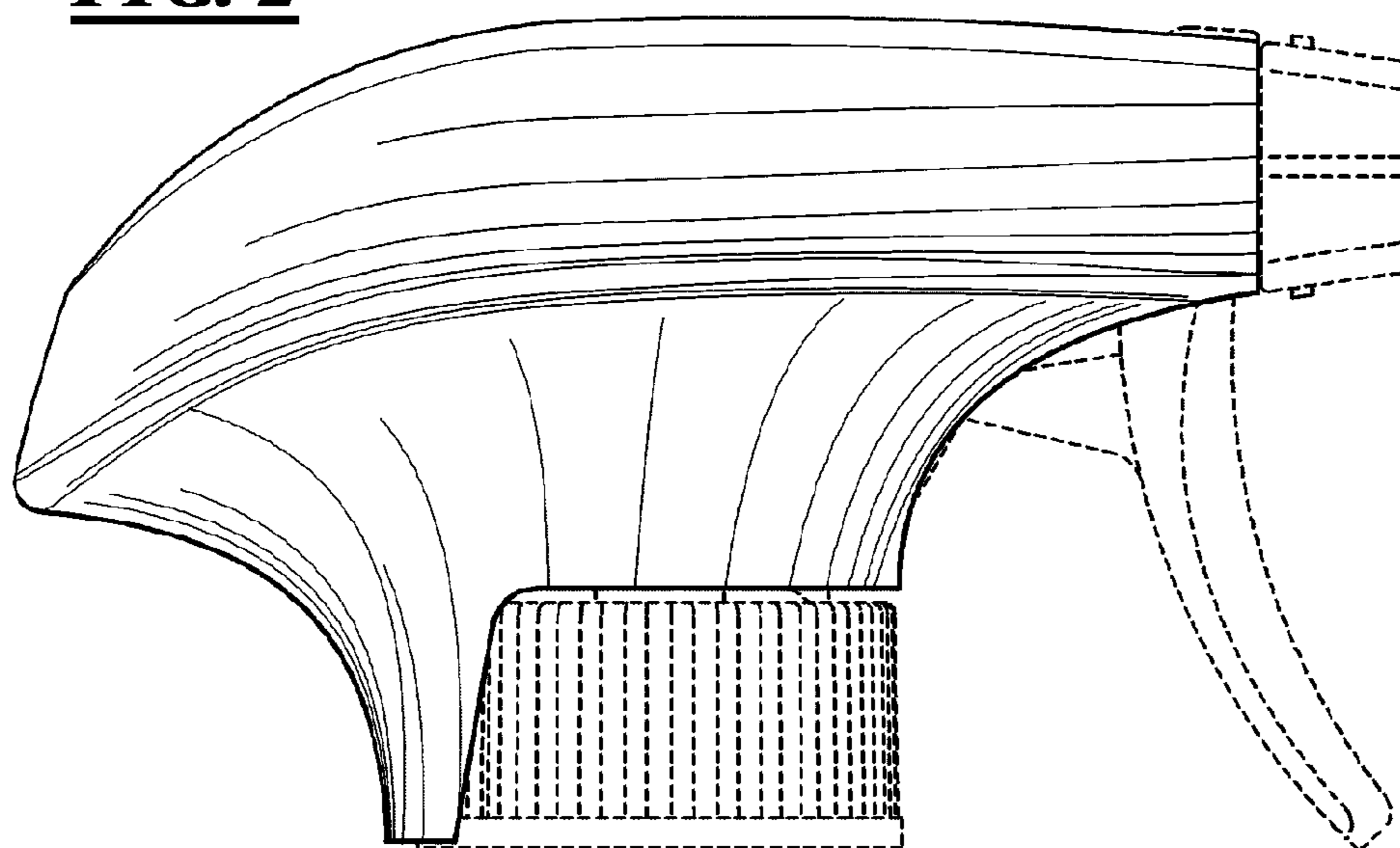


FIG. 3

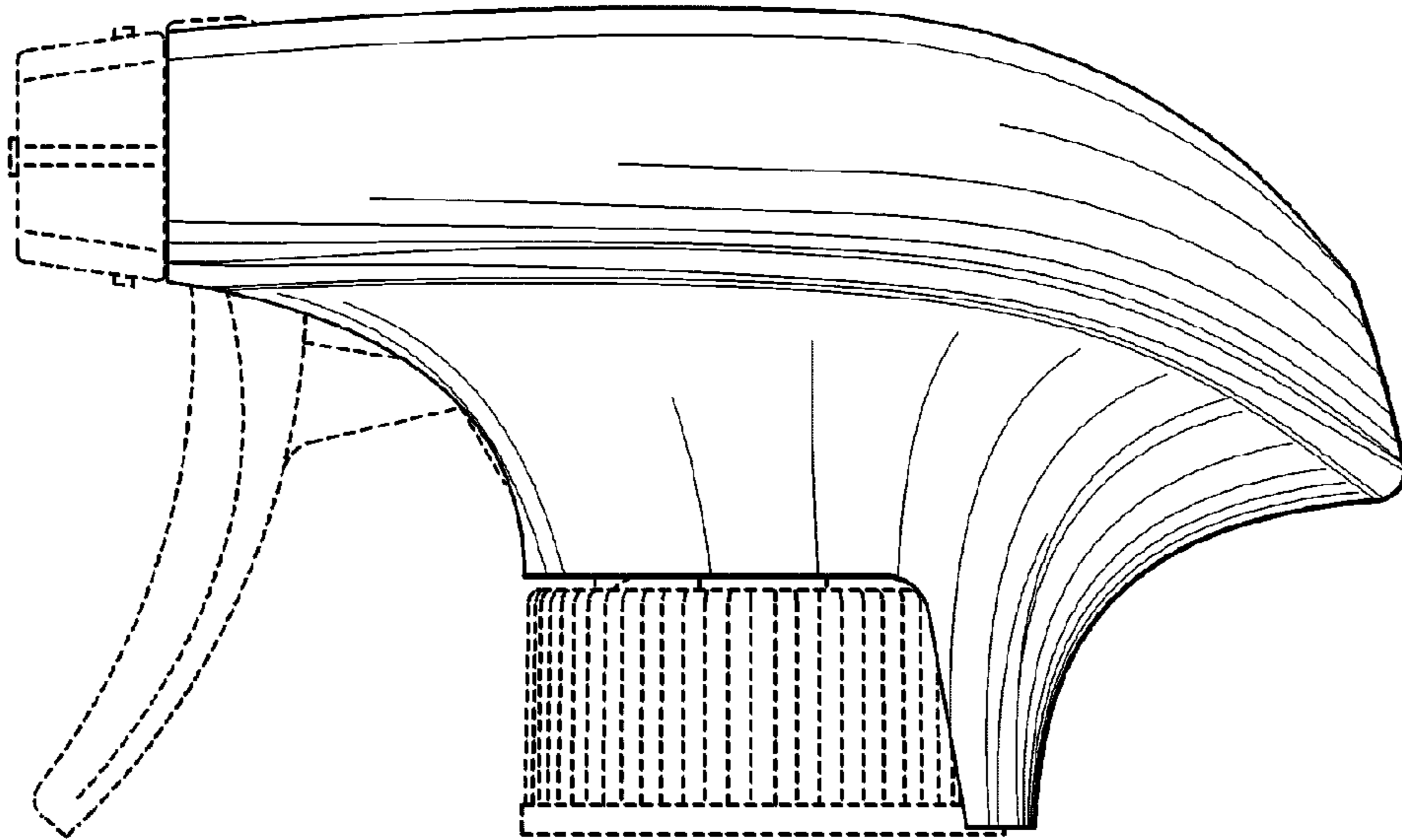


FIG. 4

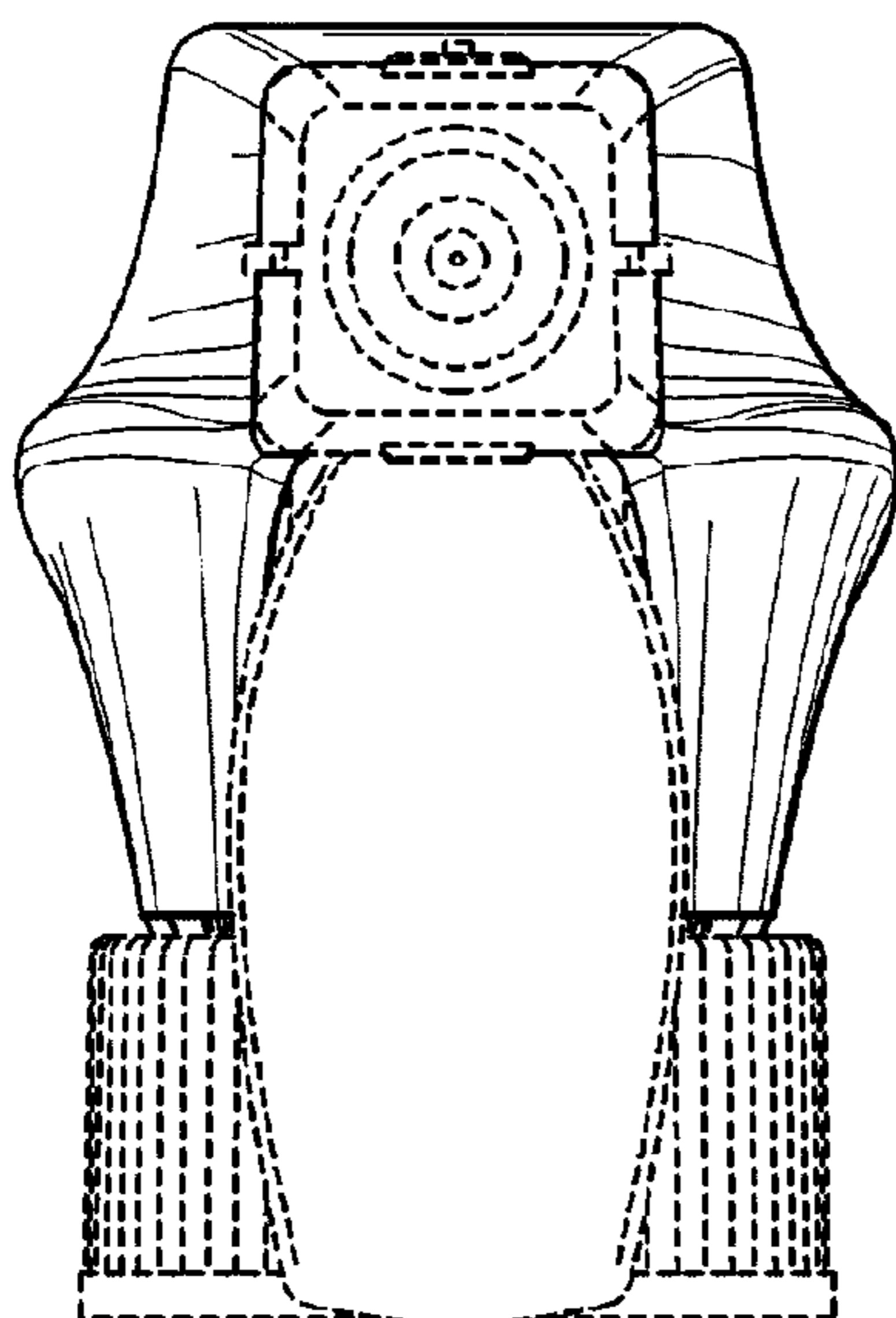


FIG. 5

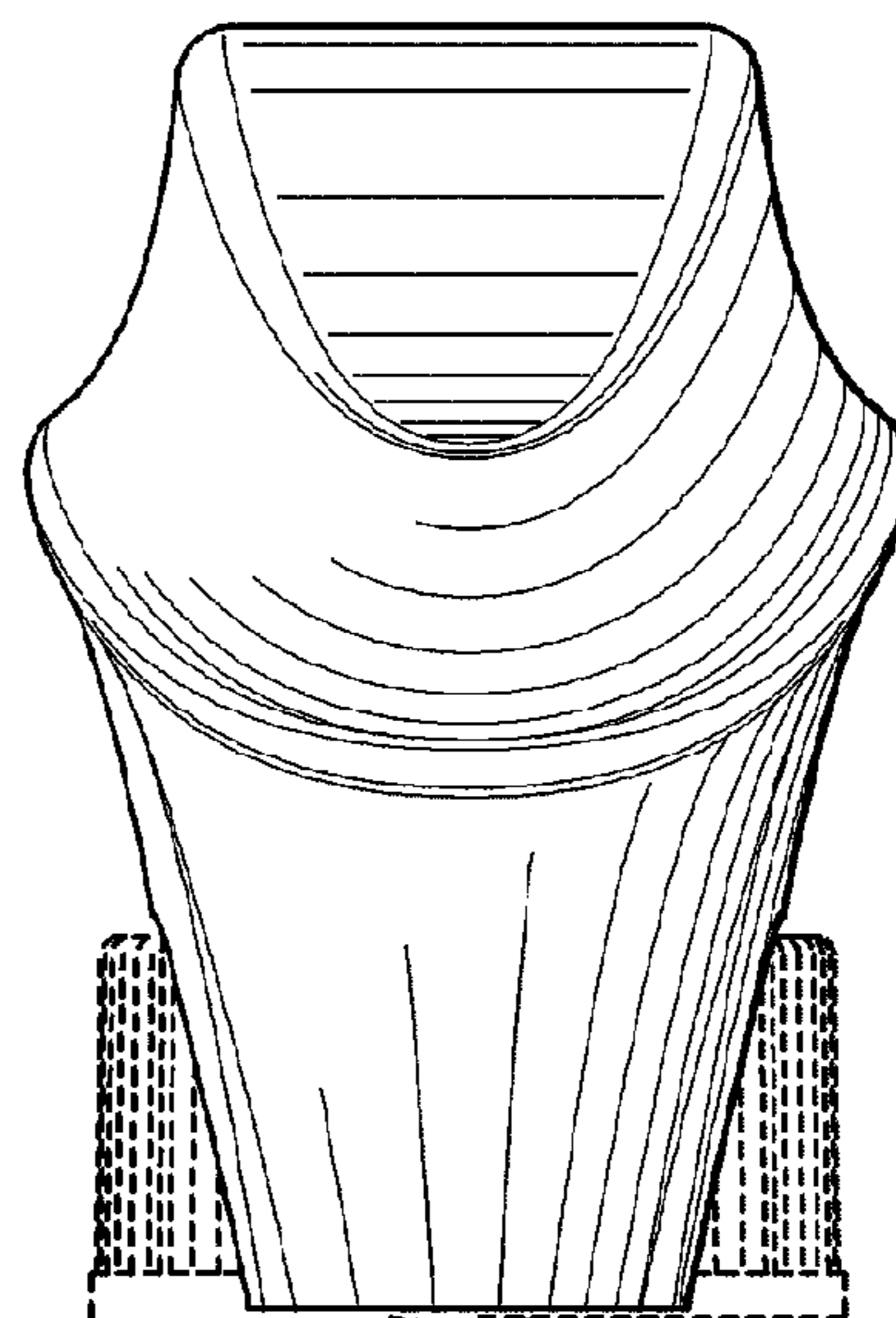


FIG. 6

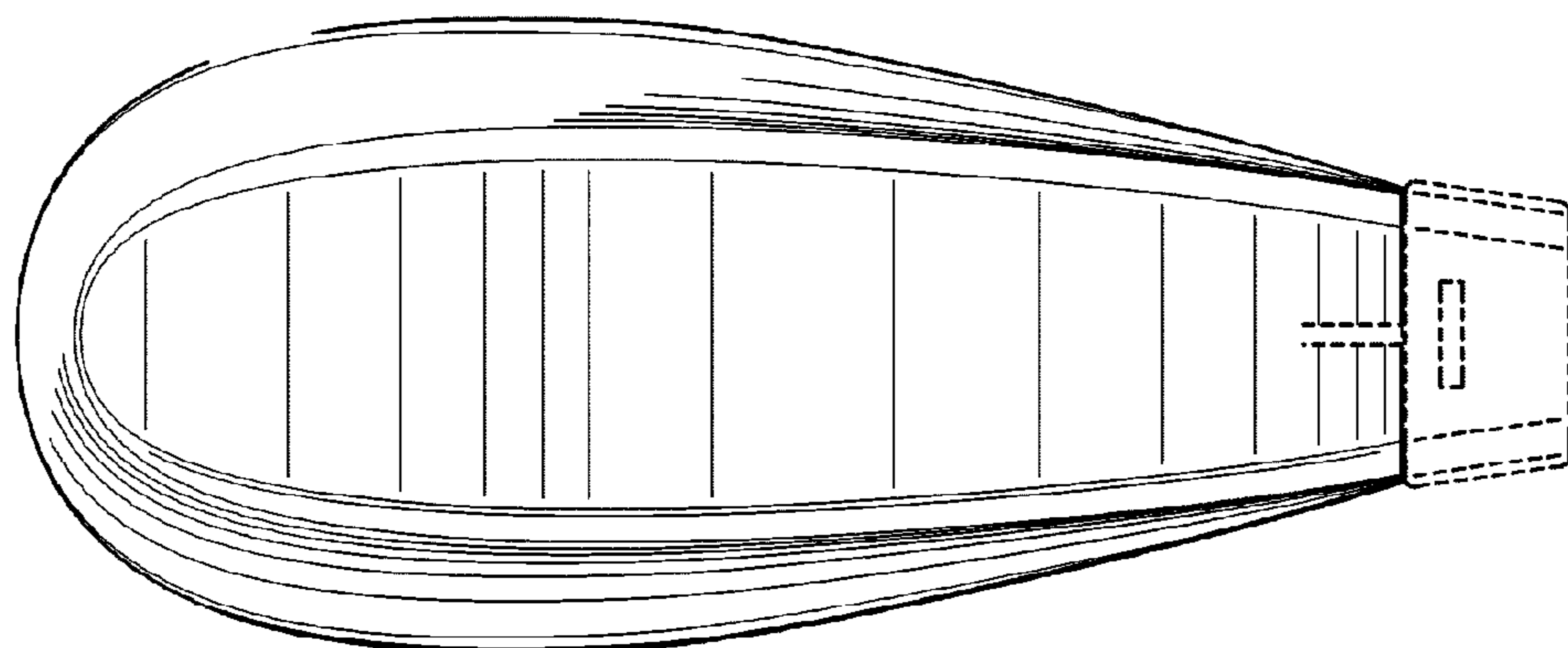


FIG. 7

