



US00D649457S

(12) **United States Design Patent**
Rowen et al.

(10) **Patent No.:** **US D649,457 S**
(45) **Date of Patent:** **** Nov. 29, 2011**

(54) **PUMP HEAD**

(75) Inventors: **Christopher G. Rowen**, Rockport, MA (US); **Eric J. McNiff**, Gloucester, MA (US)

(73) Assignee: **International Product Solutions, Inc.**, Gloucester, MA (US)

(**) Term: **14 Years**

(21) Appl. No.: **29/359,386**

(22) Filed: **Apr. 9, 2010**

(51) **LOC (9) Cl.** **09-07**

(52) **U.S. Cl.** **D9/448**

(58) **Field of Classification Search** D9/685,
D9/682, 456, 448, 447, 435, 434, 415; D23/227,
D23/226, 213; 222/556-557, 402.13, 383.1,
222/281, 251, 182

See application file for complete search history.

(56) **References Cited**

U.S. PATENT DOCUMENTS

D539,648 S *	4/2007	Arminak	D9/448
D559,682 S *	1/2008	Meeker et al.	D9/448
D568,154 S *	5/2008	Arminak	D9/448
D595,132 S *	6/2009	Tseng	D9/448
D598,750 S *	8/2009	Boes et al.	D9/448

* cited by examiner

Primary Examiner — Susan Bennett Hattan

(74) *Attorney, Agent, or Firm* — Verrill Dana, LLP; Chris A. Caseiro

(57) **CLAIM**

The ornamental design for a pump head, as shown and described.

DESCRIPTION

FIG. 1 is a perspective view of the pump head of the present invention according to our design shown in the context of a fluid dispensing stem and a fluid containing bottle;

FIG. 2 is a perspective view of the pump head of the present invention according to our design shown in the context of a fluid dispensing stem;

FIG. 3 is a perspective view of the pump head of the present invention according to our design;

FIG. 4 is a front view thereof;

FIG. 5 is a rear view thereof;

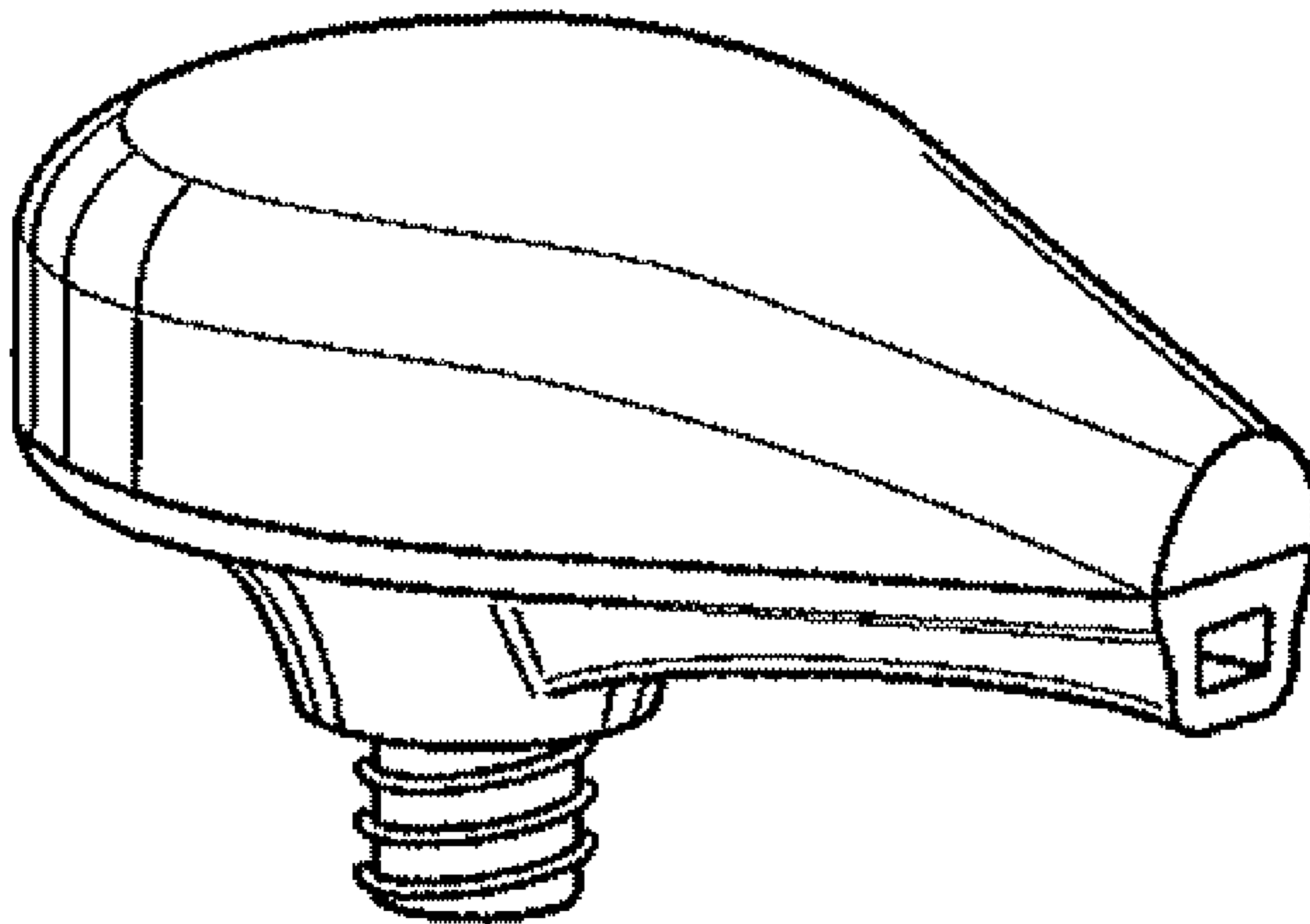
FIG. 6 is a side elevation view thereof;

FIG. 7 is a top view thereof; and,

FIG. 8 is a bottom view thereof.

The broken lines showing in FIGS. 1, 2, 5, 6 and 8 are illustrative of environmental structure only and form no part of the claimed design.

1 Claim, 7 Drawing Sheets



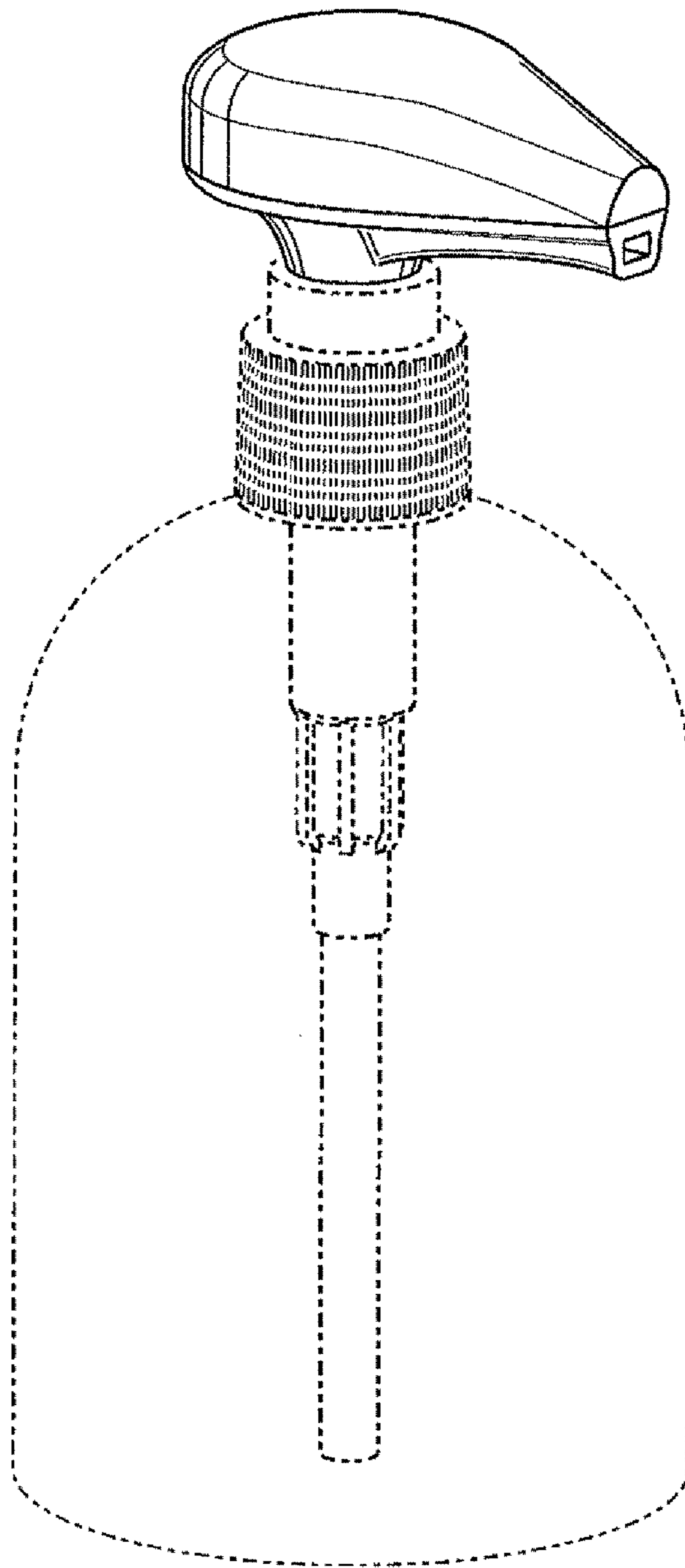


FIG. 1

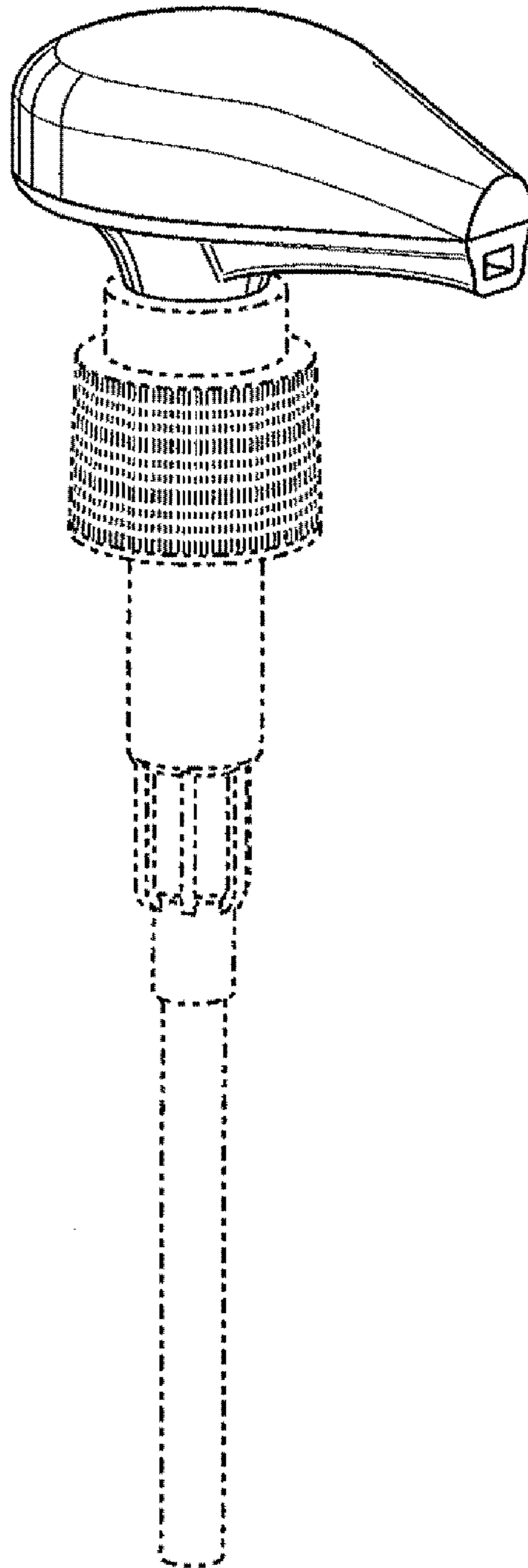


FIG. 2

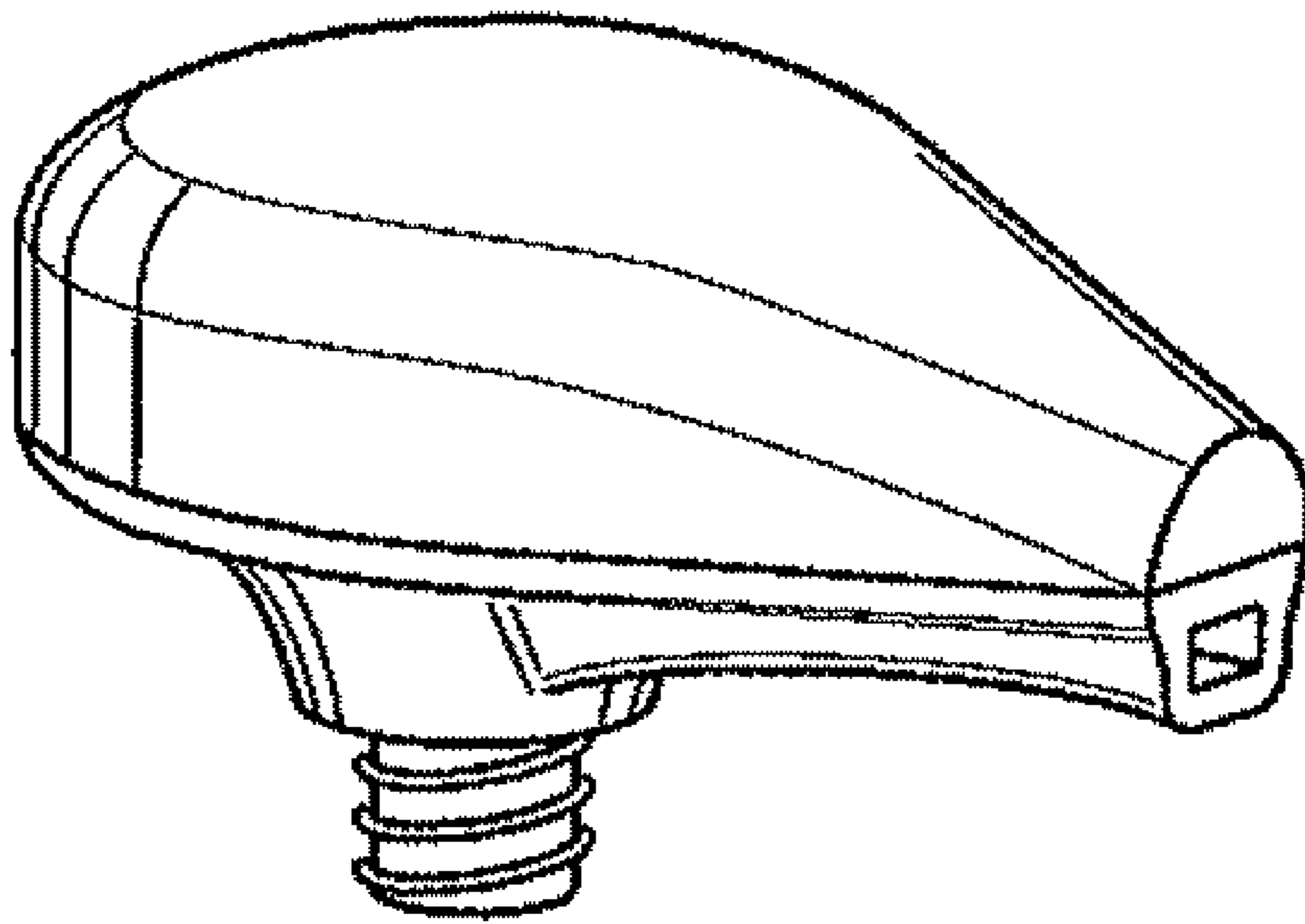


FIG. 3

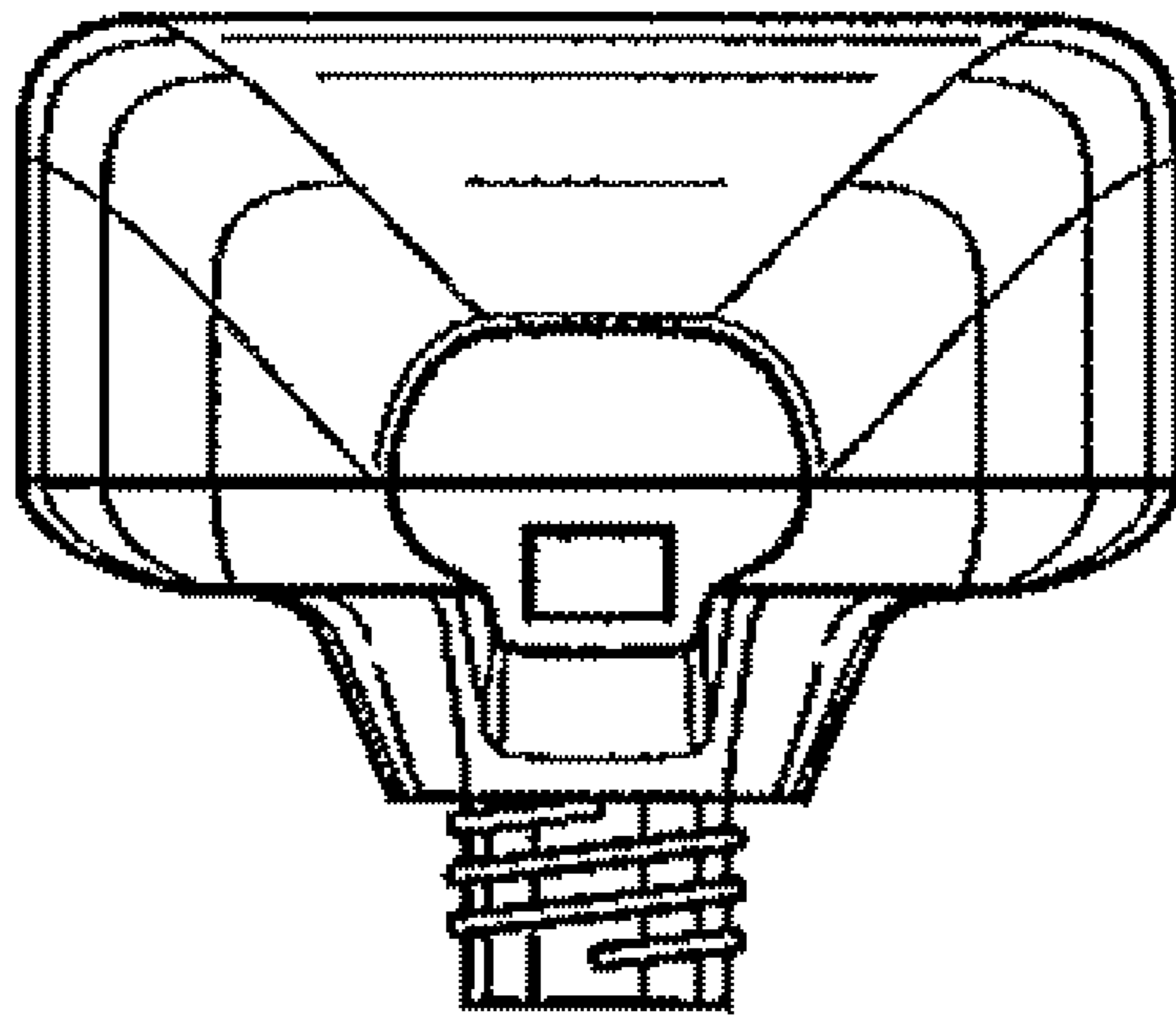


FIG. 4

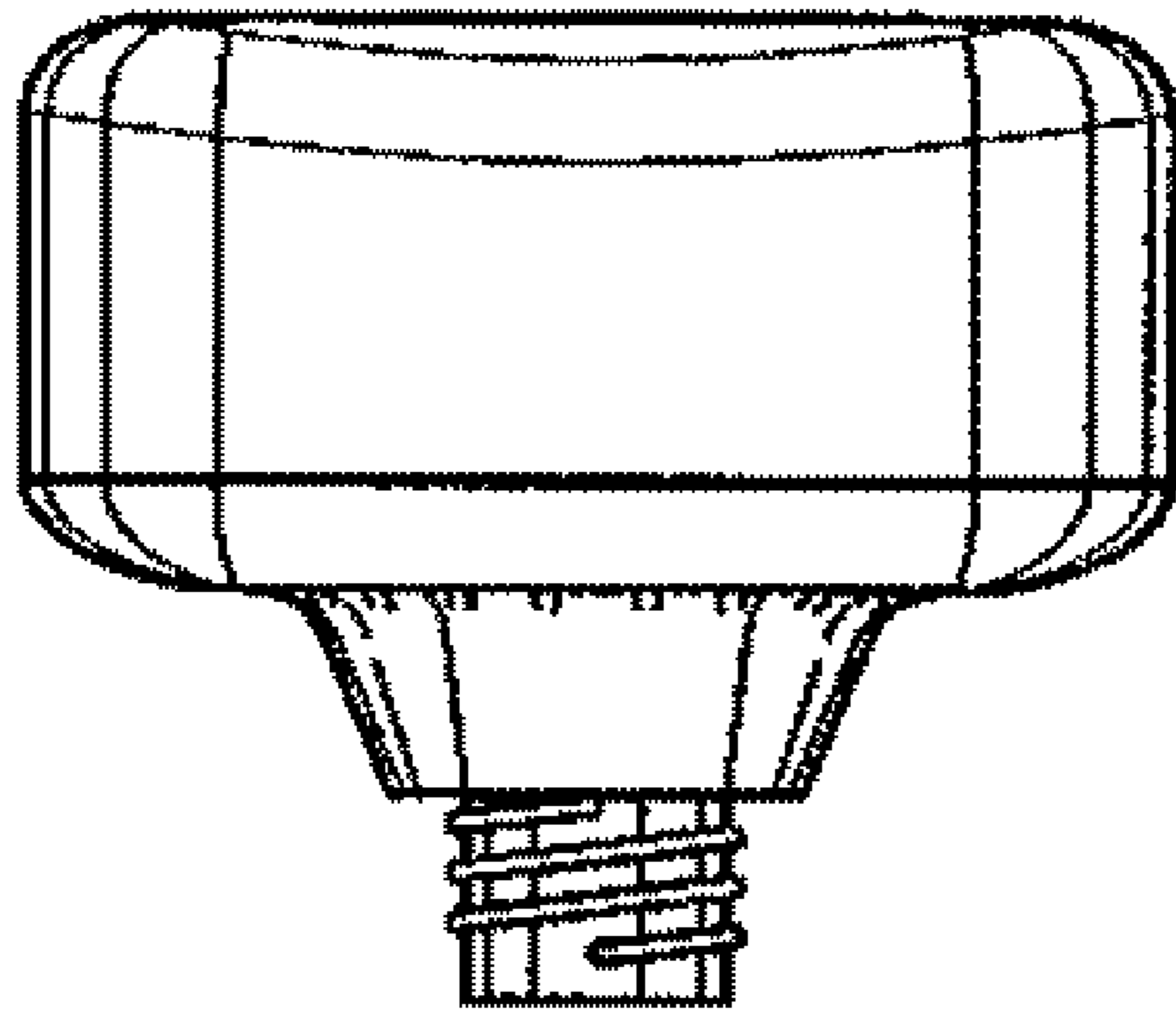


FIG. 5

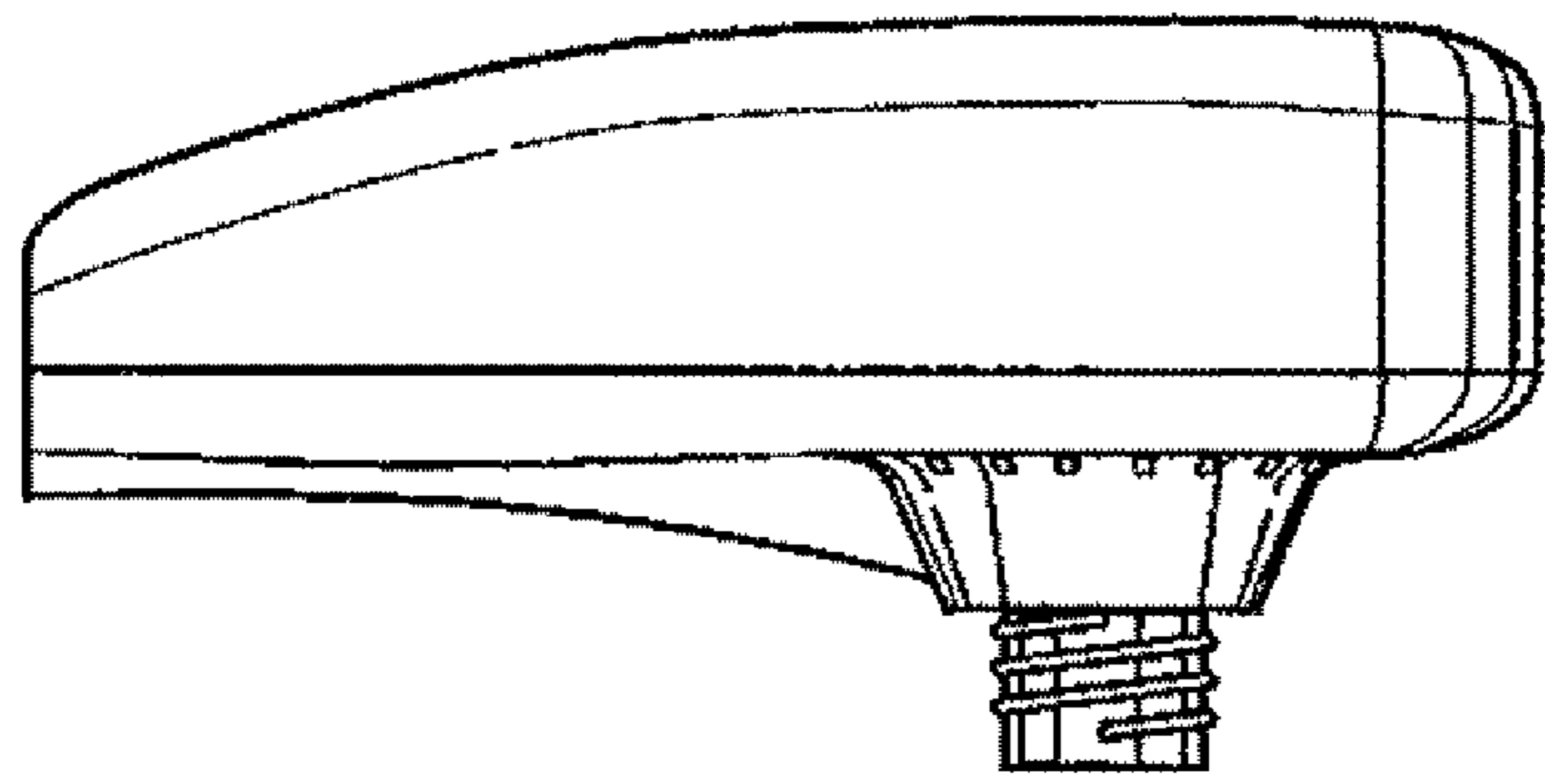


FIG. 6

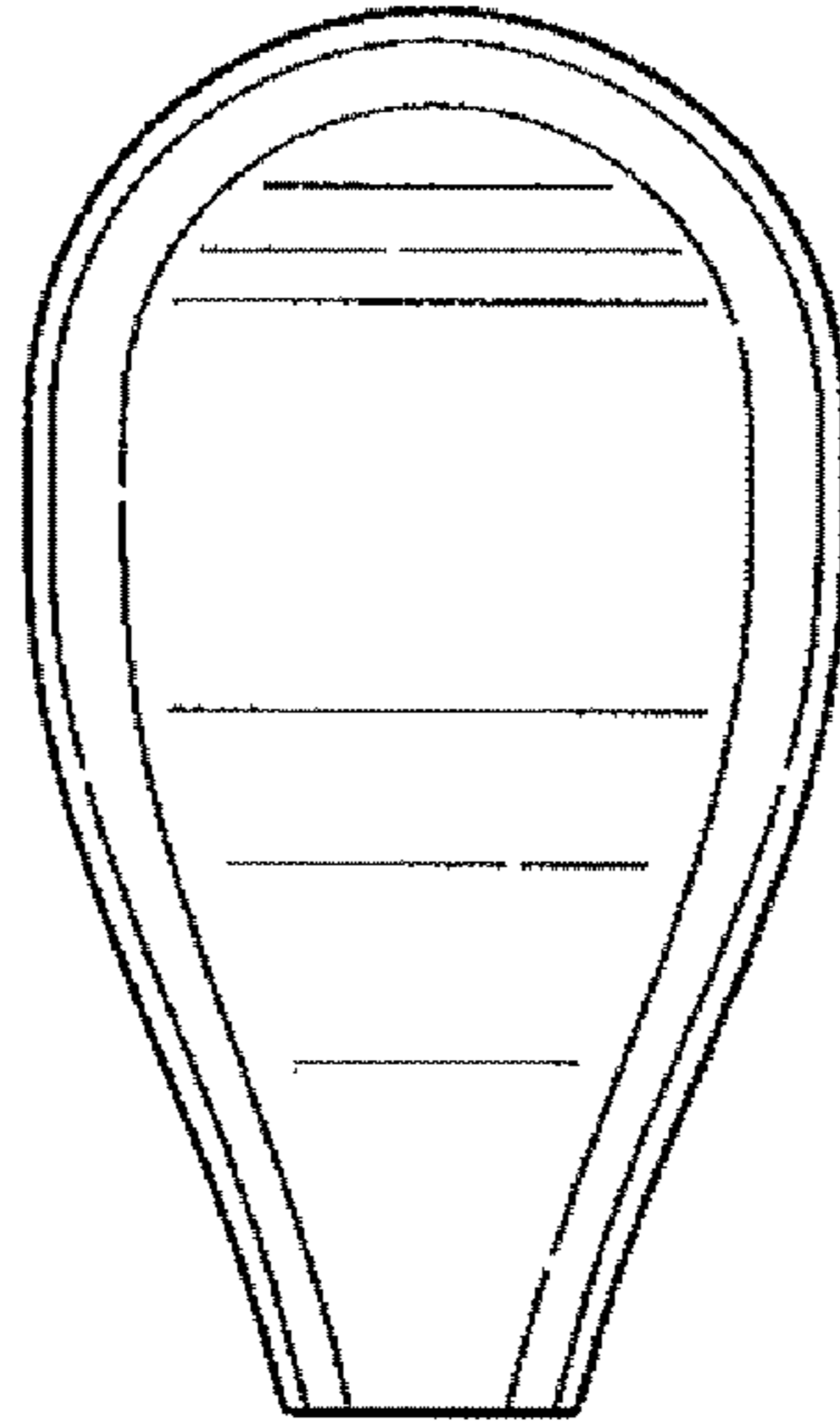


FIG. 7

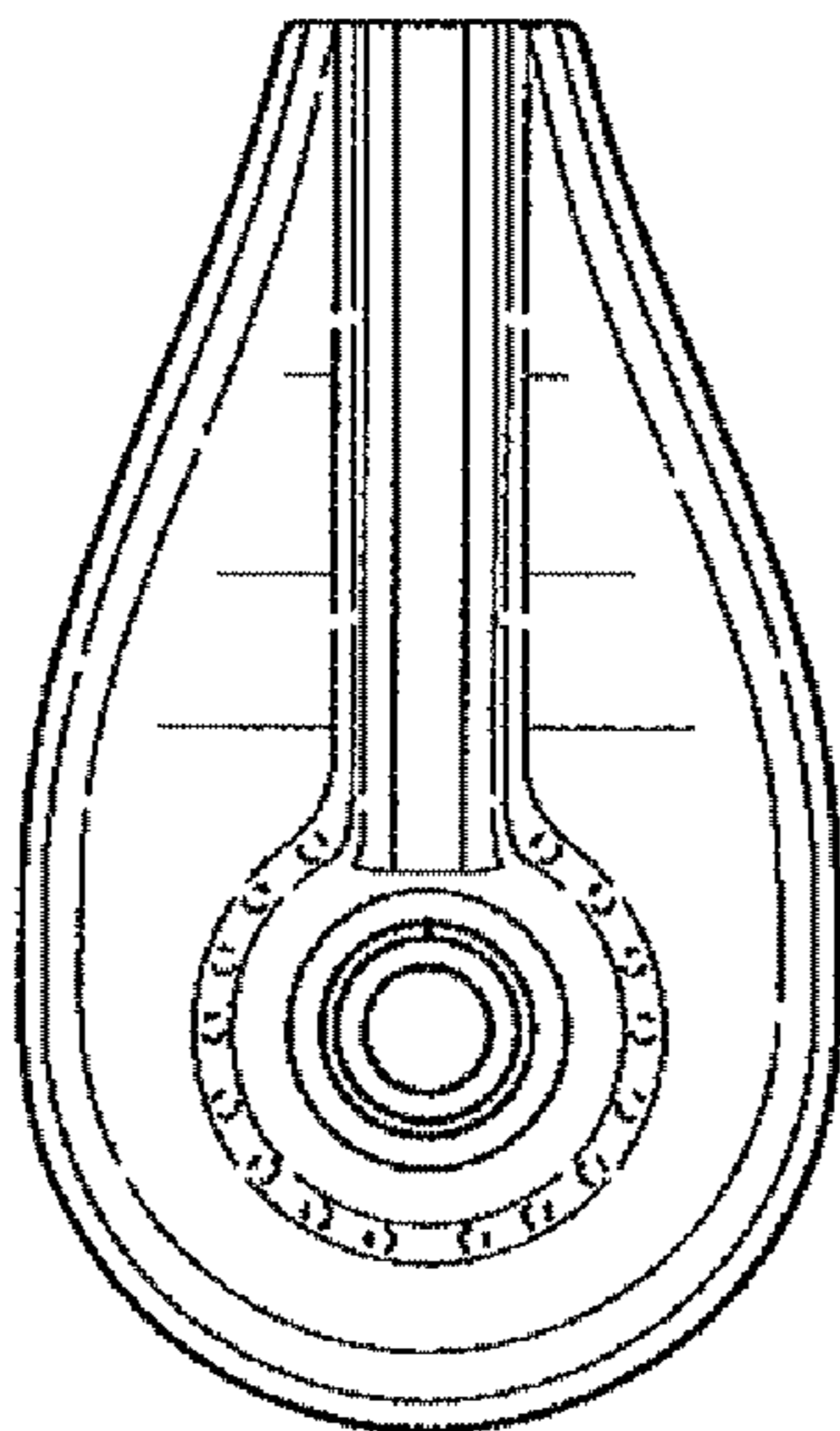


FIG. 8