



US00D649455S

(12) **United States Design Patent**
Walker

(10) **Patent No.:** **US D649,455 S**

(45) **Date of Patent:** **** Nov. 29, 2011**

(54) **SPOUT FOR A MEASURING DISPENSER**

(75) Inventor: **Rodney G. Walker**, Hamilton (NZ)

(73) Assignee: **Simcro Tech Limited**, Hamilton (NZ)

(**) Term: **14 Years**

(21) Appl. No.: **29/311,976**

(22) Filed: **Aug. 11, 2009**

(30) **Foreign Application Priority Data**

Feb. 11, 2009 (NZ) 411889

(51) **LOC (9) Cl.** **09-07**

(52) **U.S. Cl.** **D9/435**

(58) **Field of Classification Search** D9/434-439,
D9/442-448, 530, 695, 696, 697, 575; D7/398,
D7/397, 509-512; D8/397; 222/563, 92,
222/83, 22; 229/117.3; 411/370, 533; 383/66,
383/109, 80; 435/288.2; 220/306, 745

See application file for complete search history.

(56) **References Cited**

U.S. PATENT DOCUMENTS

1,124,495 A * 1/1915 Mahn 222/563
1,137,433 A * 4/1915 Swartwood 411/370
1,675,277 A * 6/1928 Roe 411/533
2,234,168 A 3/1941 Hothersall
3,108,732 A * 10/1963 Curie et al. 229/117.3
D200,895 S * 4/1965 Symonds et al. D7/398

D201,610 S * 7/1965 Symonds et al. D7/398
3,306,327 A * 2/1967 Ilg 383/66
3,642,047 A * 2/1972 Waage 383/109
4,257,535 A * 3/1981 Mellett 222/92
4,542,530 A * 9/1985 Thomas et al. 383/66
4,840,908 A * 6/1989 Burns 435/288.2
D359,683 S * 6/1995 Beach D9/434
6,378,730 B1 * 4/2002 Reddy et al. 222/83
D529,383 S * 10/2006 Haworth D9/448
7,357,276 B2 * 4/2008 Savage et al. 222/92
D576,480 S * 9/2008 Vakiener et al. D8/397
D602,778 S * 10/2009 Stalions D9/447

* cited by examiner

Primary Examiner — Rob M Spear

Assistant Examiner — Rashida C McCoy

(74) *Attorney, Agent, or Firm* — Dykema Gossett PLLC

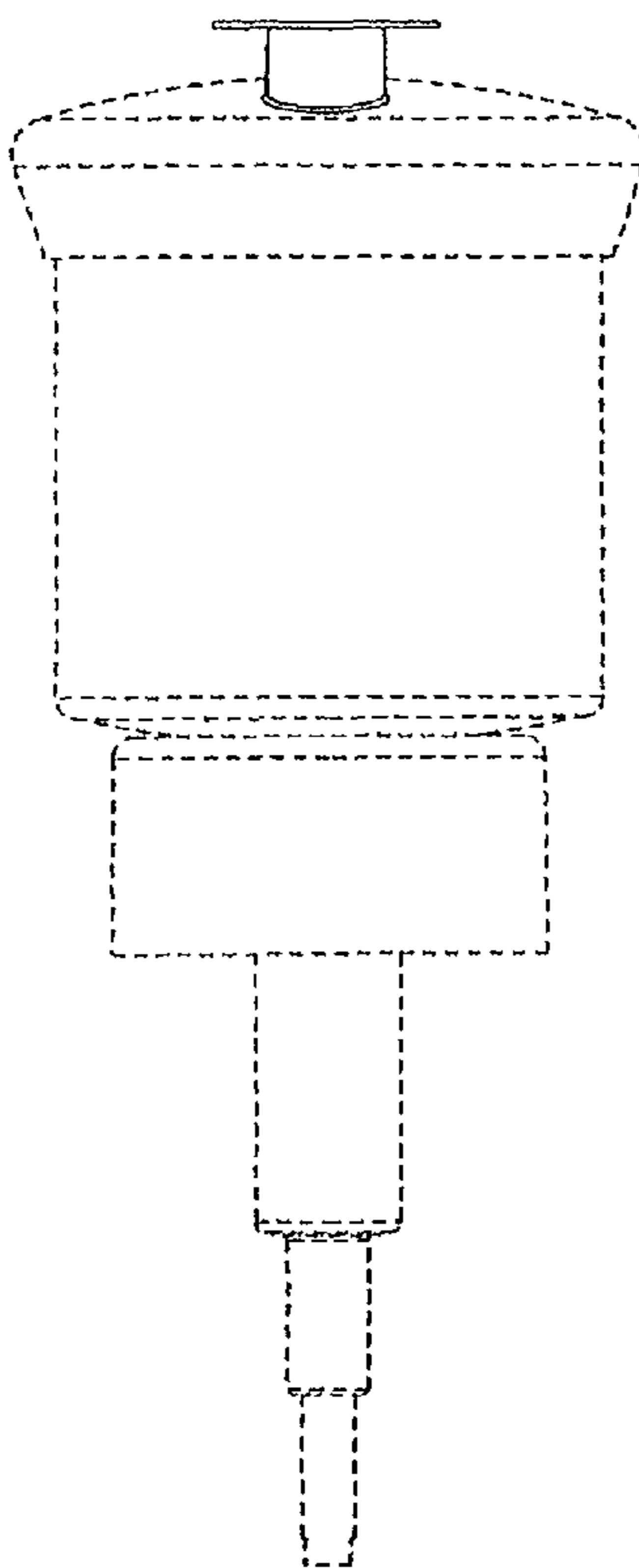
(57) **CLAIM**

An ornamental design for a spout for a measuring dispenser,
as shown and described.

DESCRIPTION

FIG. 1 is a front view of a spout for a measuring dispenser
showing my new and ornamental design,
FIG. 2 is a right side view thereof,
FIG. 3 is a left side view thereof,
FIG. 4 is a rear view thereof,
FIG. 5 is a perspective view thereof; and,
FIG. 6 is a top plan view thereof.

1 Claim, 3 Drawing Sheets



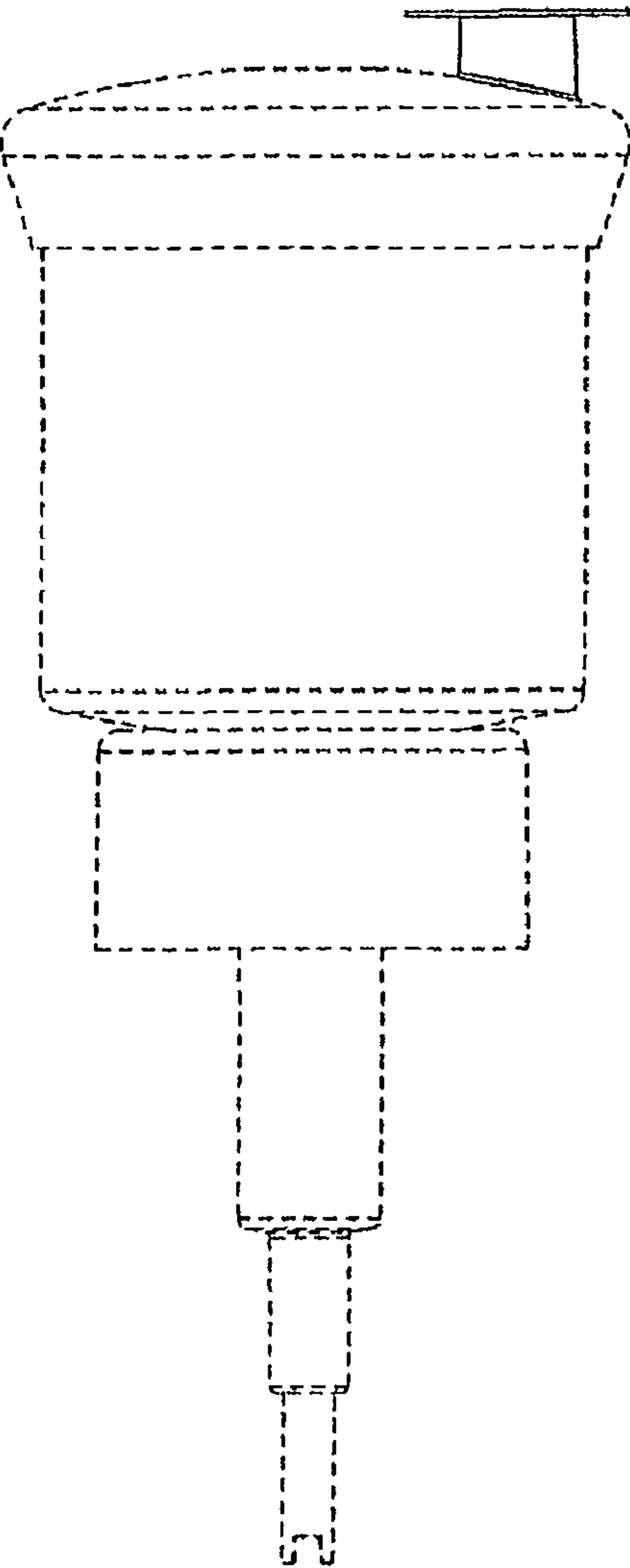


Fig.2

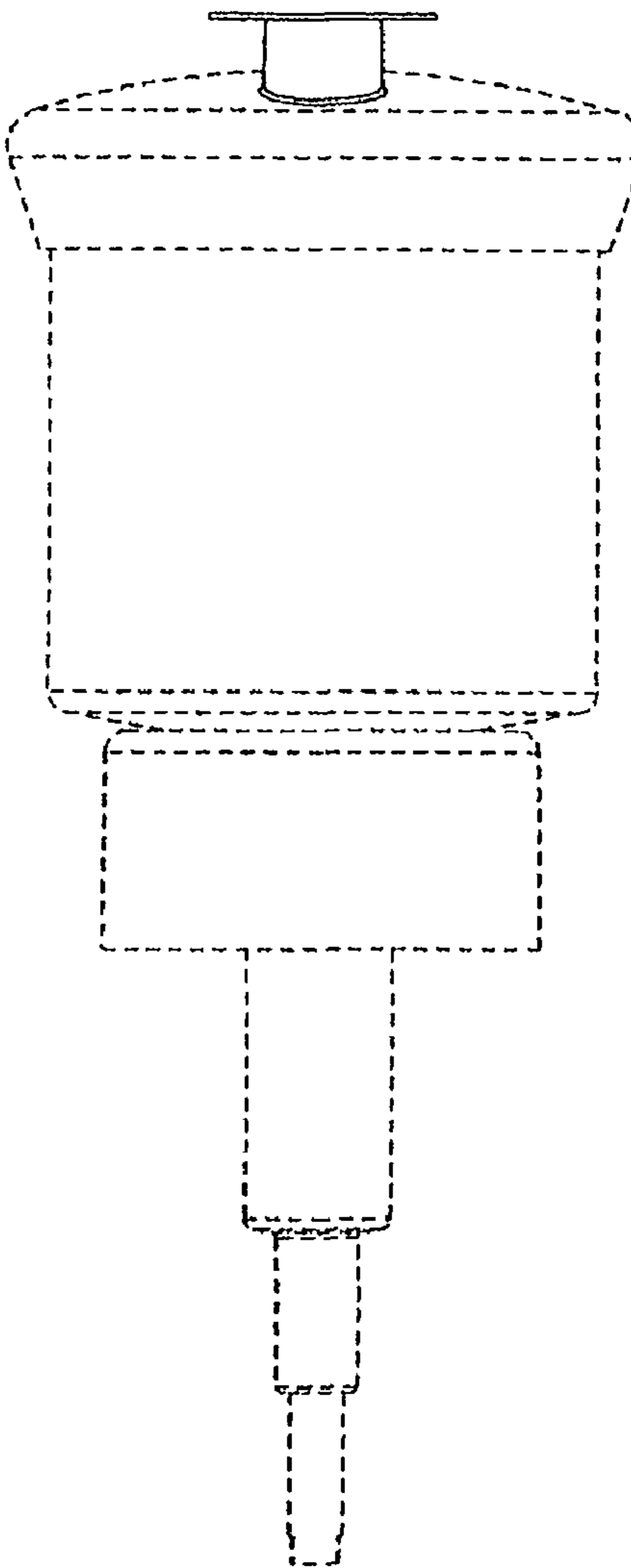


Fig.1

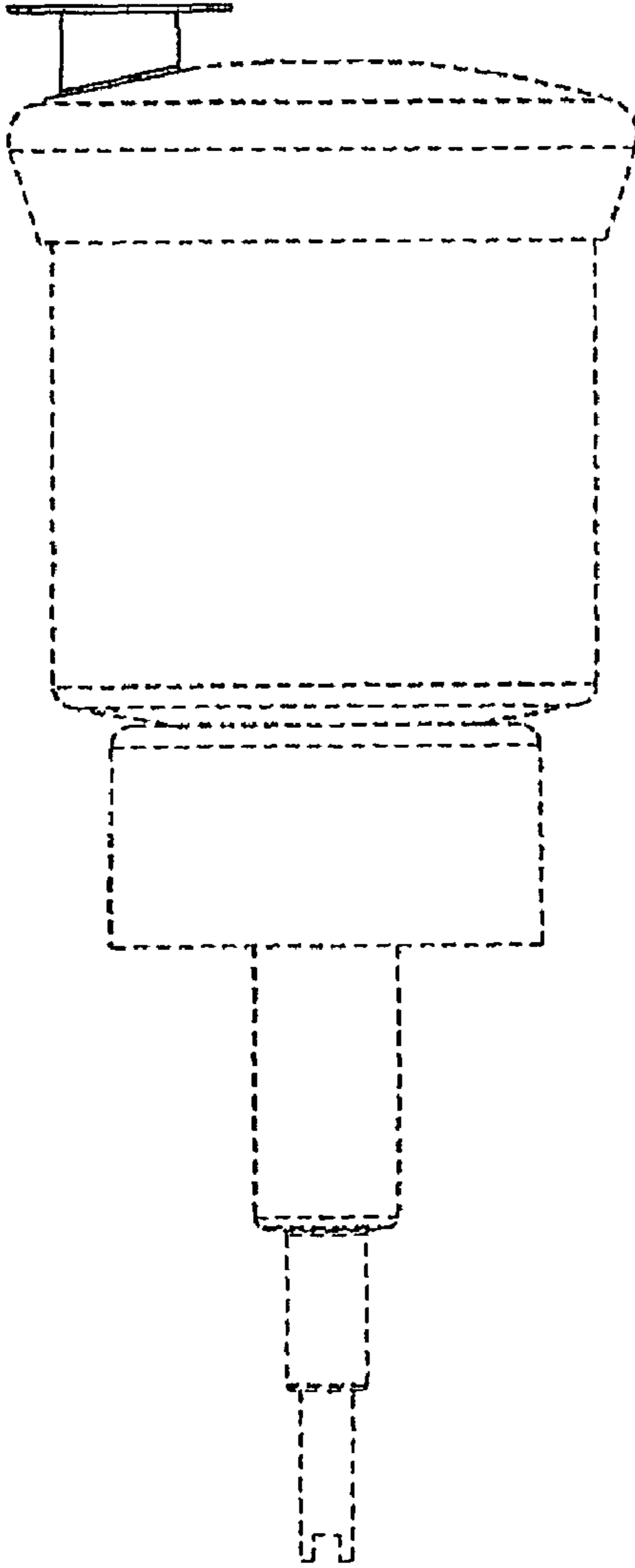


Fig.3

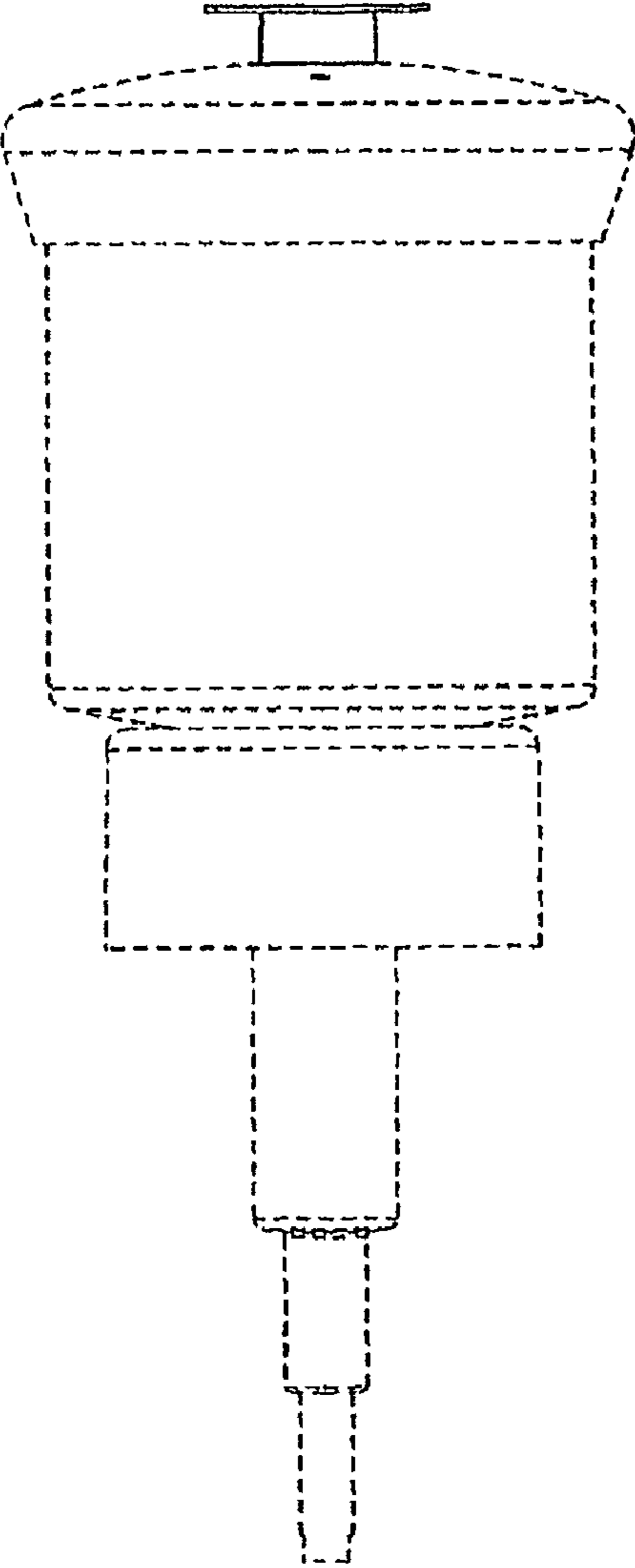


Fig.4

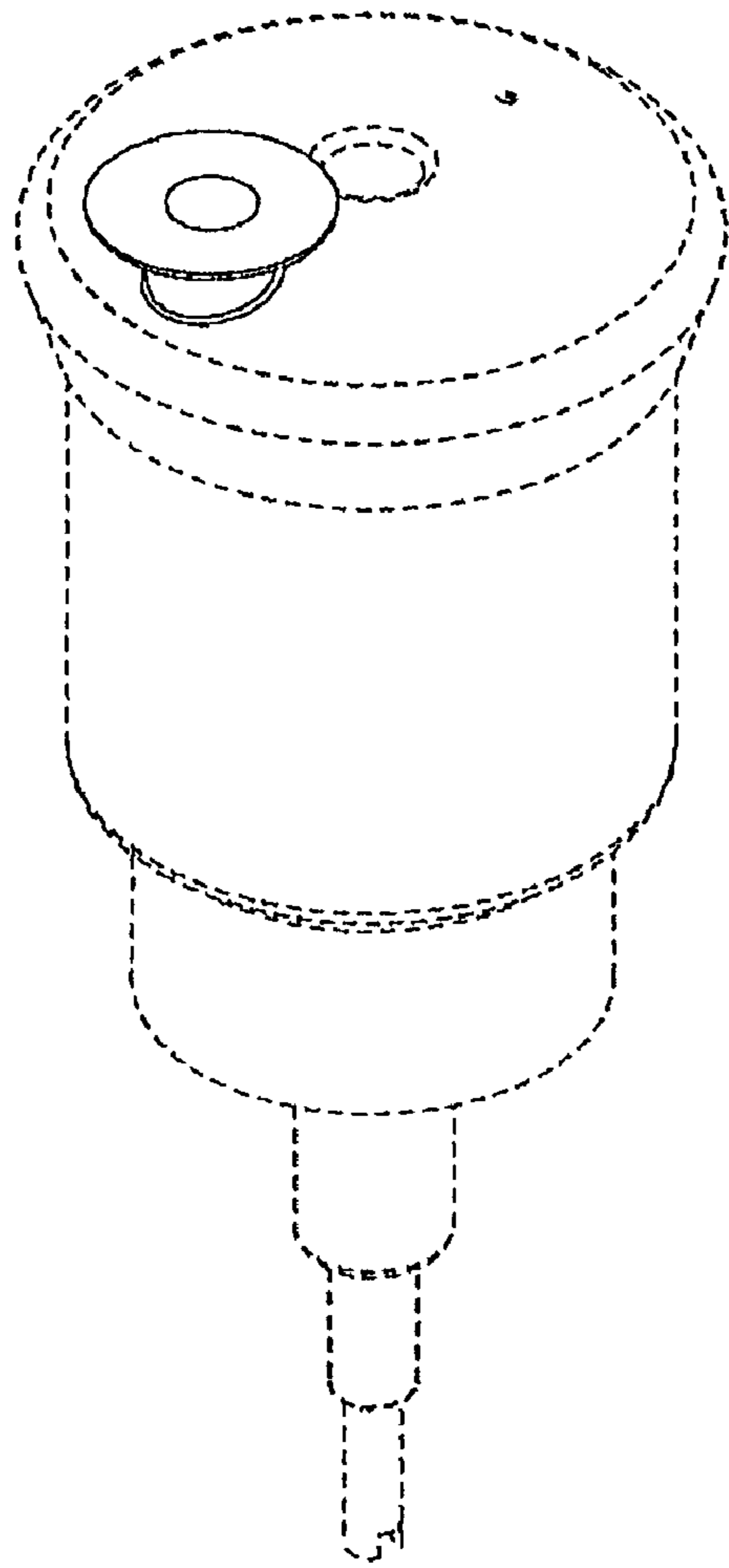


Fig.5

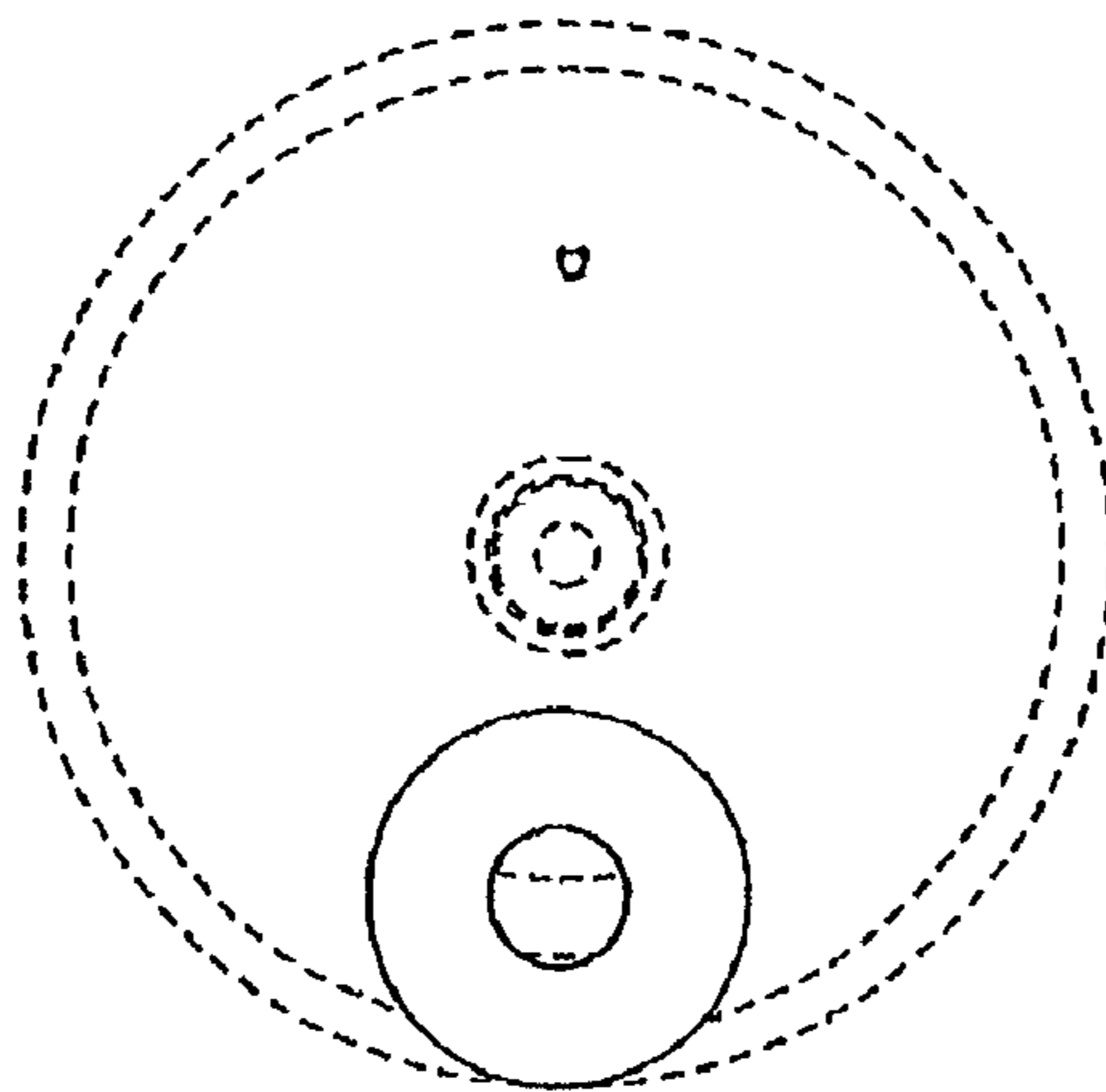


Fig.6