



US00D649452S

(12) **United States Design Patent**
Gonzalez et al.

(10) **Patent No.:** **US D649,452 S**

(45) **Date of Patent:** **** Nov. 29, 2011**

(54) **CONTAINER**

(75) Inventors: **Gabriela Valerio Gonzalez**,
Independence, KY (US); **Andrew Peter**
Heidel, Cincinnati, OH (US); **Tony**
Christopher Siebel, Cincinnati, OH
(US)

(73) Assignee: **The Procter & Gamble Company**,
Cincinnati, OH (US)

(**) Term: **14 Years**

(21) Appl. No.: **29/392,372**

(22) Filed: **May 20, 2011**

Related U.S. Application Data

(62) Division of application No. 29/375,265, filed on Sep.
20, 2010, now Pat. No. Des. 642,911.

(51) **LOC (9) Cl.** **09-07**

(52) **U.S. Cl.** **D9/434**

(58) **Field of Classification Search** D9/734,
D9/707, 629, 456, 435, 434, 433, 432, 427,
D9/425, 424, 423, 420, 418, 414, 430; D7/354;
D6/518, 515; D3/294, 302; D27/189; 383/42;
220/4.23, 409, 784, 778, 776, 494, 482, 268,
220/265

See application file for complete search history.

(56) **References Cited**

U.S. PATENT DOCUMENTS

D79,888 S * 11/1929 MacMillan D9/432
D135,294 S * 3/1943 Ost D9/432
D254,714 S 4/1980 Mascia et al.
D254,716 S 4/1980 Mascia et al.
D281,673 S 12/1985 Lampe
D306,406 S 3/1990 Pierce et al.
D319,581 S 9/1991 Halm
D319,583 S 9/1991 Halm et al.

D370,834 S 6/1996 Hartman
D462,270 S 9/2002 Renz
D473,142 S 4/2003 Beaver
D475,288 S 6/2003 Hoffmann et al.
D486,733 S * 2/2004 Murning et al. D28/8.1
D507,184 S 7/2005 Beaver et al.
D550,077 S 9/2007 Lagreca et al.
D553,984 S * 10/2007 Berger D9/456
D560,488 S 1/2008 Rust et al.

(Continued)

FOREIGN PATENT DOCUMENTS

CA 101564 3/2004

(Continued)

OTHER PUBLICATIONS

MiR Container ECD 001688128-0001 to 0008 published Mar. 29,
2010.

(Continued)

Primary Examiner — Susan Bennett Hattan

(74) *Attorney, Agent, or Firm* — Julie A. McConihay;
Leonard W. Lewis; Steven W. Miller

(57) **CLAIM**

The ornamental design for a container, as shown and
described.

DESCRIPTION

FIG. 1 is a further embodiment of a front side perspective
view of the Panel of the bag;

FIG. 2 is a view of the front Panel of the bag;

FIG. 3 is a view of the back Panel of the bag;

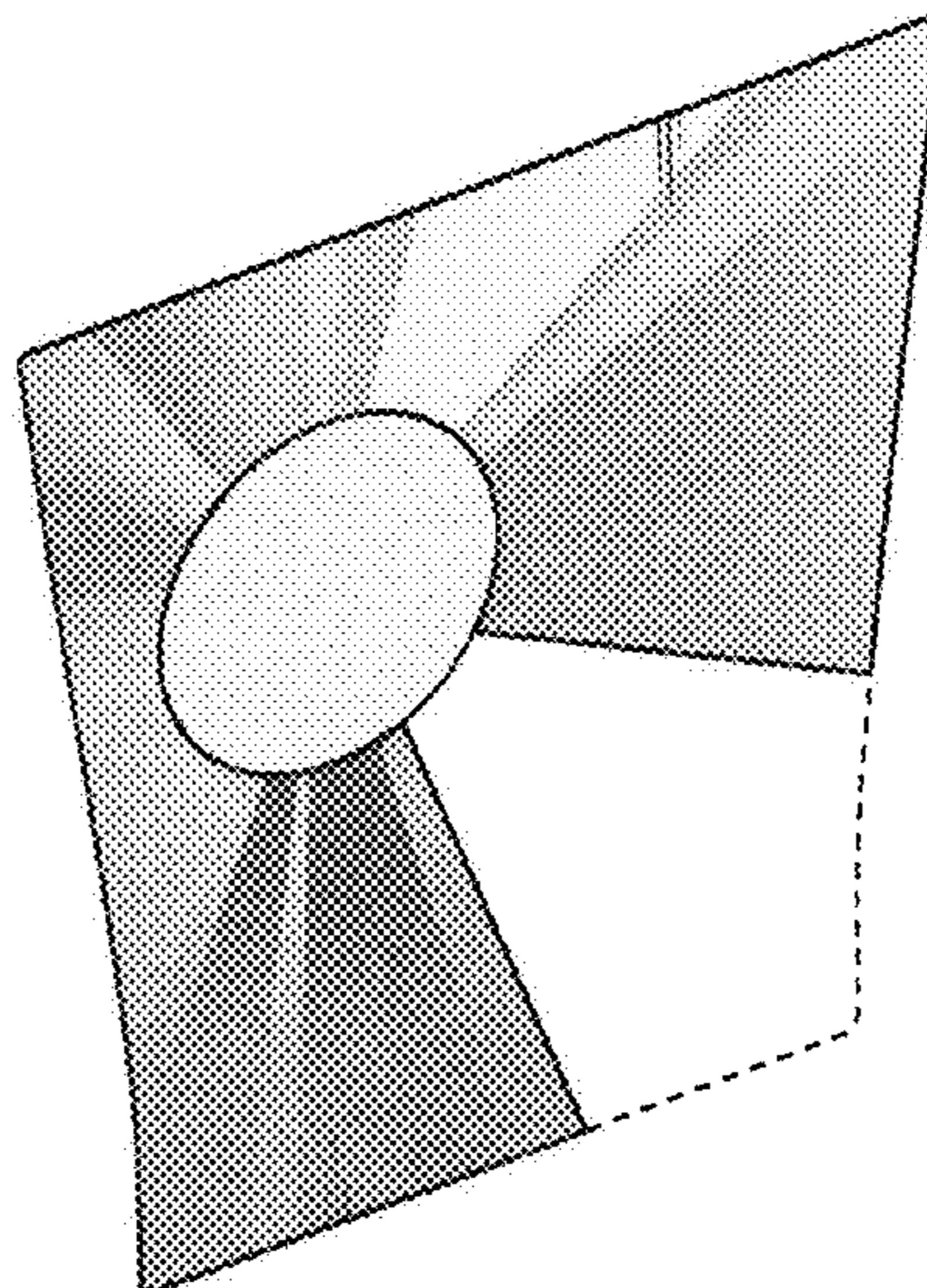
FIG. 4 is a bottom view of the bag;

FIG. 5 is a left side view of the bag; and,

FIG. 6 is a right side view of the bag.

The broken lines in the drawings depict environmental sub-
ject matter only and form no part of the claimed design.

1 Claim, 3 Drawing Sheets



US D649,452 S

Page 2

U.S. PATENT DOCUMENTS

D568,739 S 5/2008 Darr
D572,535 S 7/2008 El-Ghouyel et al.
D576,883 S 9/2008 Carapelli
D581,288 S 11/2008 Villalobos
D584,154 S 1/2009 Fitzsimmons et al.
D585,303 S 1/2009 Fitzsimmons et al.
D586,222 S 2/2009 Little et al.
D586,223 S 2/2009 Little et al.
D588,088 S 3/2009 Mitchell
D592,064 S 5/2009 Kilany
D627,569 S * 11/2010 Seum et al. D5/63

EM 001688128-0002 3/2010
EM 001688128-0003 3/2010
EM 001688128-0004 3/2010
EM 001688128-0005 3/2010
EM 001688128-0006 3/2010
EM 001688128-0007 3/2010
EM 001688128-0008 3/2010

OTHER PUBLICATIONS

Persil Container Unilever promotion package for liquigel capsules
from early 2000.

FOREIGN PATENT DOCUMENTS

CA 119729 2/2008
EM 001688128-0001 3/2010

* cited by examiner

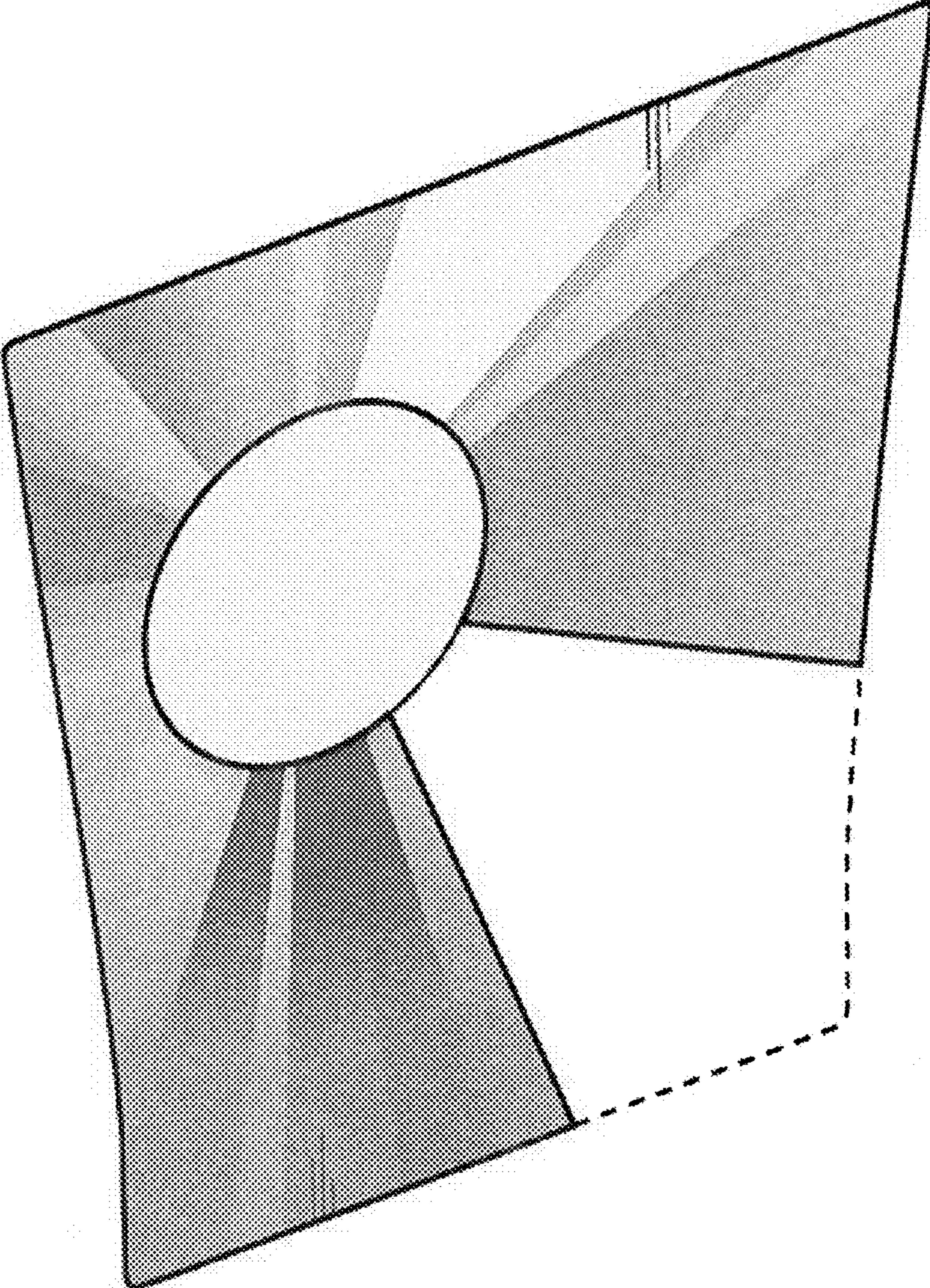


Fig. 1

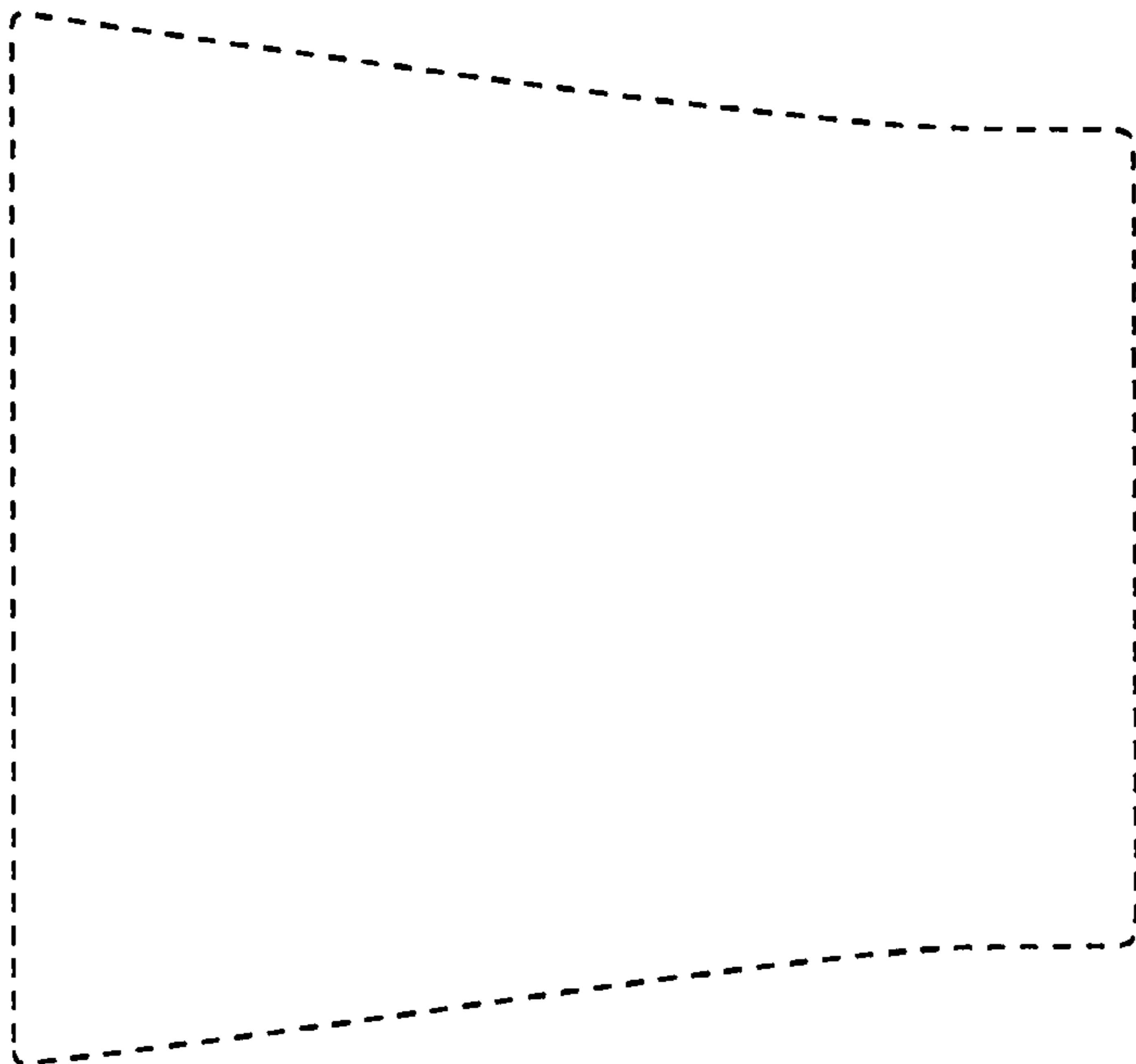


Fig. 3

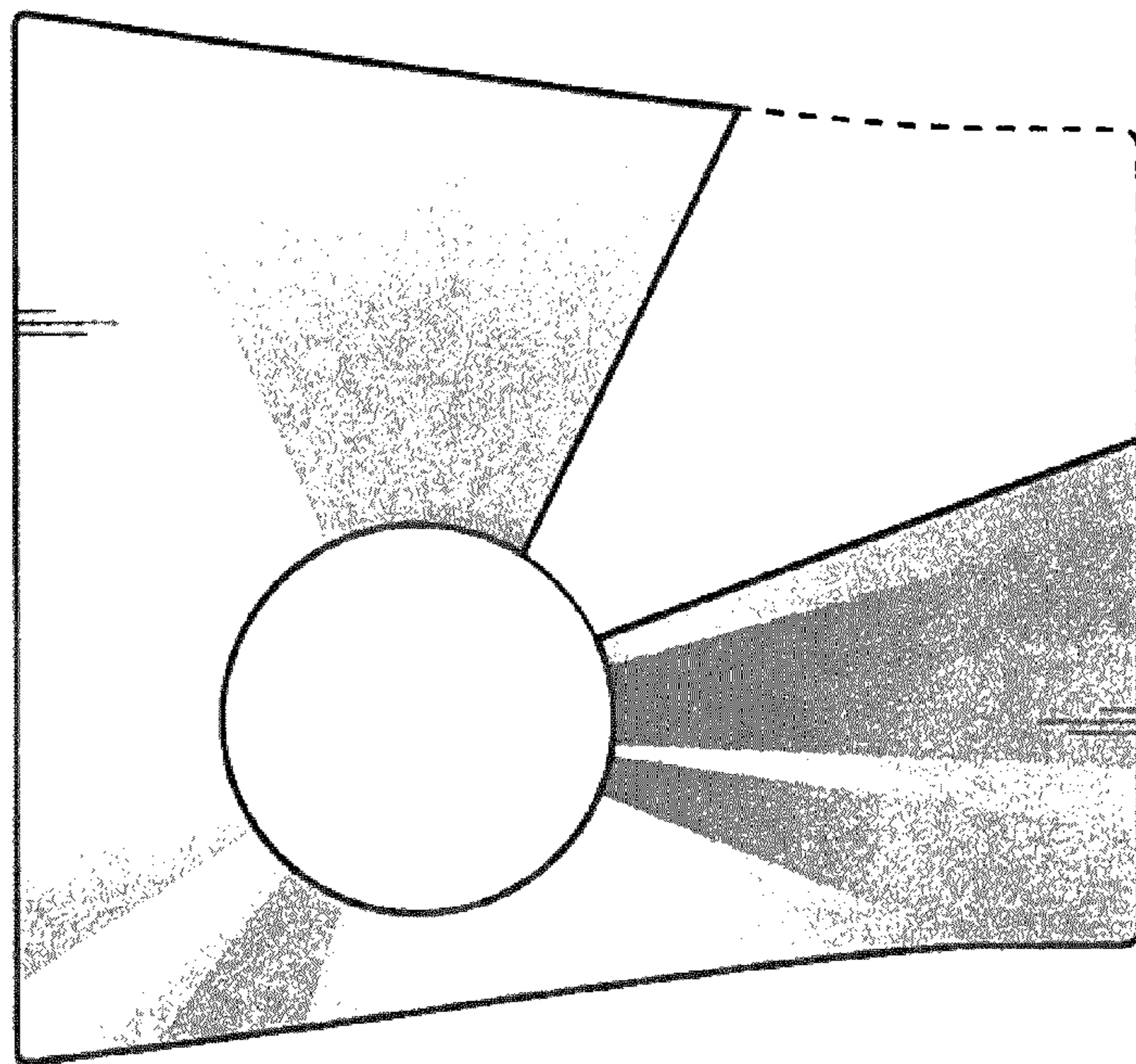


Fig. 2



Fig. 5



Fig. 6



Fig. 4