



US00D649451S

(12) **United States Design Patent**
Franic

(10) **Patent No.:** **US D649,451 S**

(45) **Date of Patent:** **** Nov. 29, 2011**

(54) **PORTION OF A CARTON**

(75) Inventor: **Ivica Franic**, Vienna (AT)

(73) Assignee: **Elopak Systems AG**, Glattbrugg (CH)

(**) Term: **14 Years**

(21) Appl. No.: **29/348,542**

(22) Filed: **Jan. 15, 2010**

(30) **Foreign Application Priority Data**

Jul. 17, 2009 (EM) 1585696

(51) **LOC (9) Cl.** **09-03**

(52) **U.S. Cl.** **D9/433**

(58) **Field of Classification Search** D9/430-433,
D9/414, 418, 420-423, 434; 206/278, 297,
206/299, 457, 770, 737, 822; 229/87.08,
229/101, 101.2, 101.3, 106, 108, 108.1, 116.1,
229/116.3, 116.5, 121, 122, 193, 195, 197,
229/201, 213, 221, 222, 227, 922, 939, 942
See application file for complete search history.

(56) **References Cited**

U.S. PATENT DOCUMENTS

D391,847 S *	3/1998	Seo et al.	D9/417
D394,385 S *	5/1998	Laughlin	D9/431
D460,355 S *	7/2002	Lenz et al.	D9/431
D562,130 S *	2/2008	Kortsmit et al.	D9/430
D589,343 S *	3/2009	Bohache et al.	D9/430
D596,027 S *	7/2009	Kalberer	D9/432
D624,404 S *	9/2010	Darbonne	D9/431
D635,018 S *	3/2011	Wallace et al.	D9/433
D637,487 S *	5/2011	Franic	D9/433

* cited by examiner

Primary Examiner — Karen S Acker

(74) *Attorney, Agent, or Firm* — Warn Partners, P.C.

(57) **CLAIM**

The ornamental design for a portion of a carton, as shown and described.

DESCRIPTION

FIG. 1 is a front and left perspective view of a portion of a carton of the present invention shown assembled in a position of use with the right and front view a mirror image of the left and front view. The broken line structure showing the top, bottom and rear with spaces within and the corners of the portion of a carton form no part of the claimed design;

FIG. 2 is a plan view of the design of FIG. 1 shown in an unassembled position of use;

FIG. 3 is a rear perspective view of the design of FIG. 1 shown assembled in a position of use;

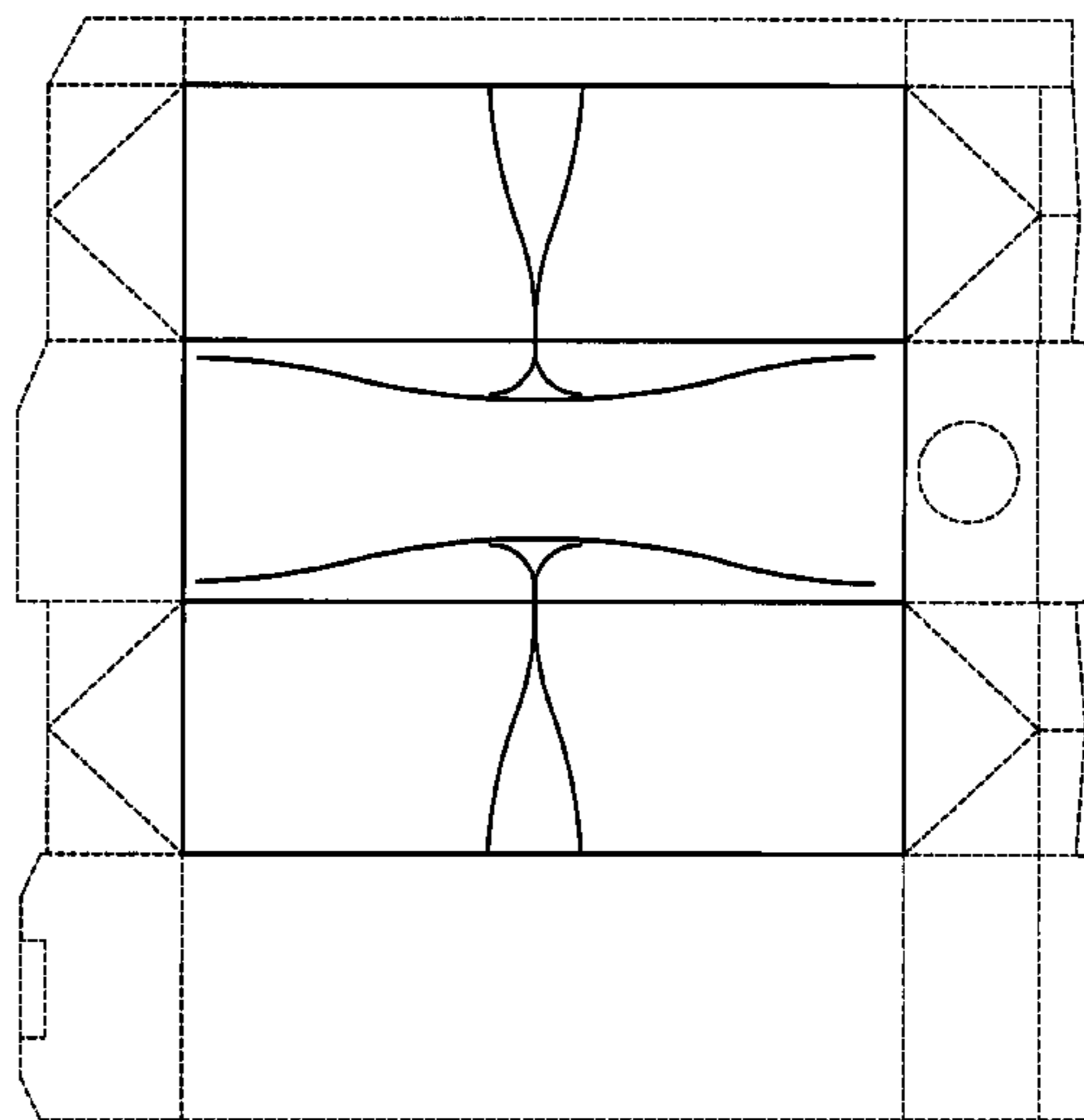
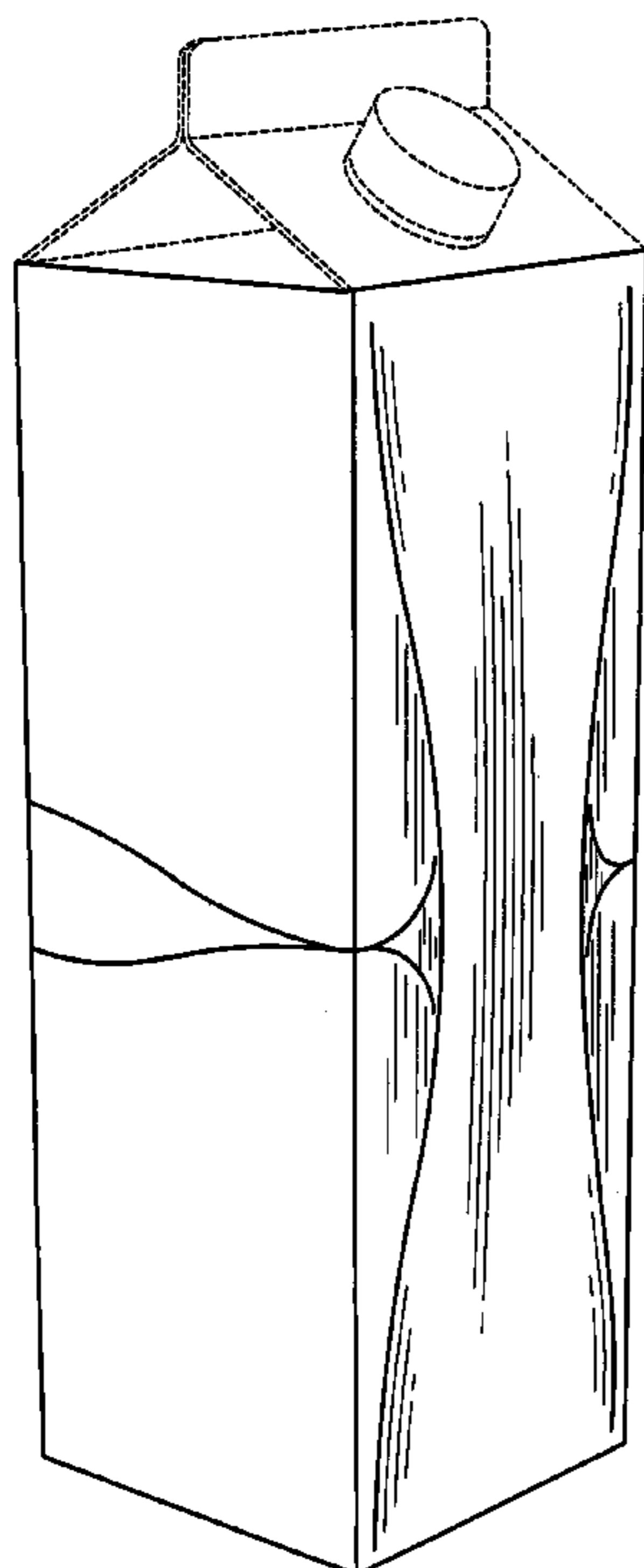
FIG. 4 is a plan view of the front and left side view of the design of FIG. 1 shown in a collapsed storage position of use; and,

FIG. 5 is a plan view of the rear and side view of the design of FIG. 1 shown in a collapsed storage position of use.

The portion of a carton is directed to the front, right and left sides and the spaces within including the solid lines. The top, bottom, rear side and spaces within including all corners drawn in broken line illustrate environmental material and form no part of the claimed design included to show the design in a condition of use.

The broken line structure is included for the purpose of showing the design in a condition of use and forms no part of the claimed design.

1 Claim, 5 Drawing Sheets



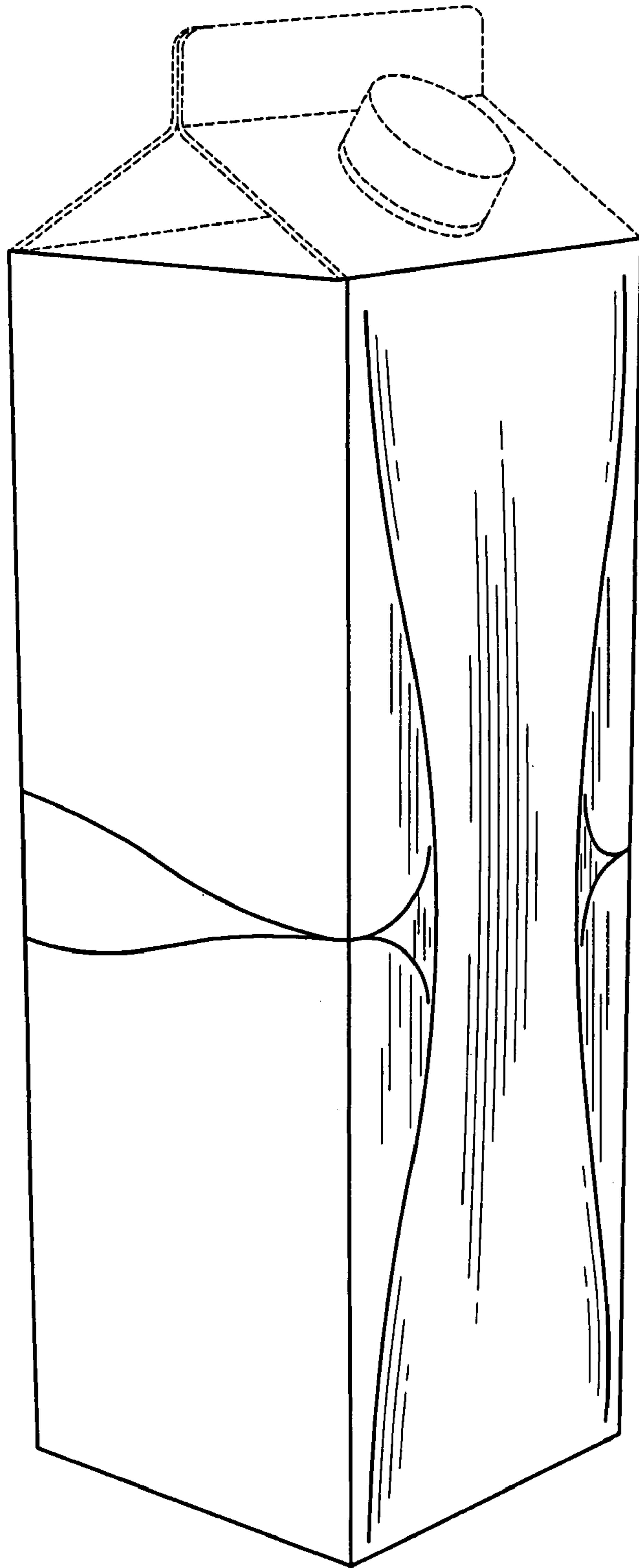


FIG. 1

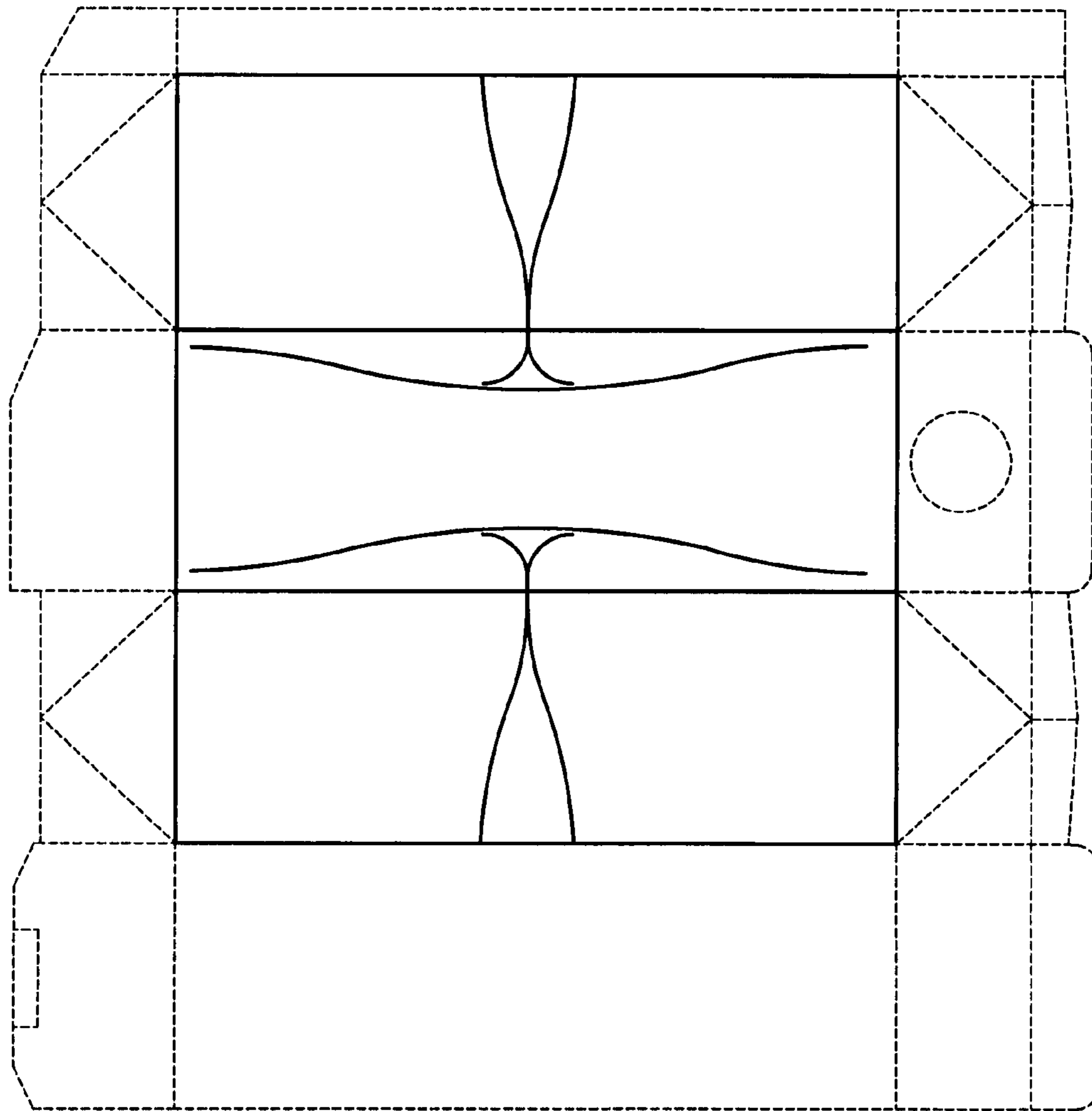


FIG. 2

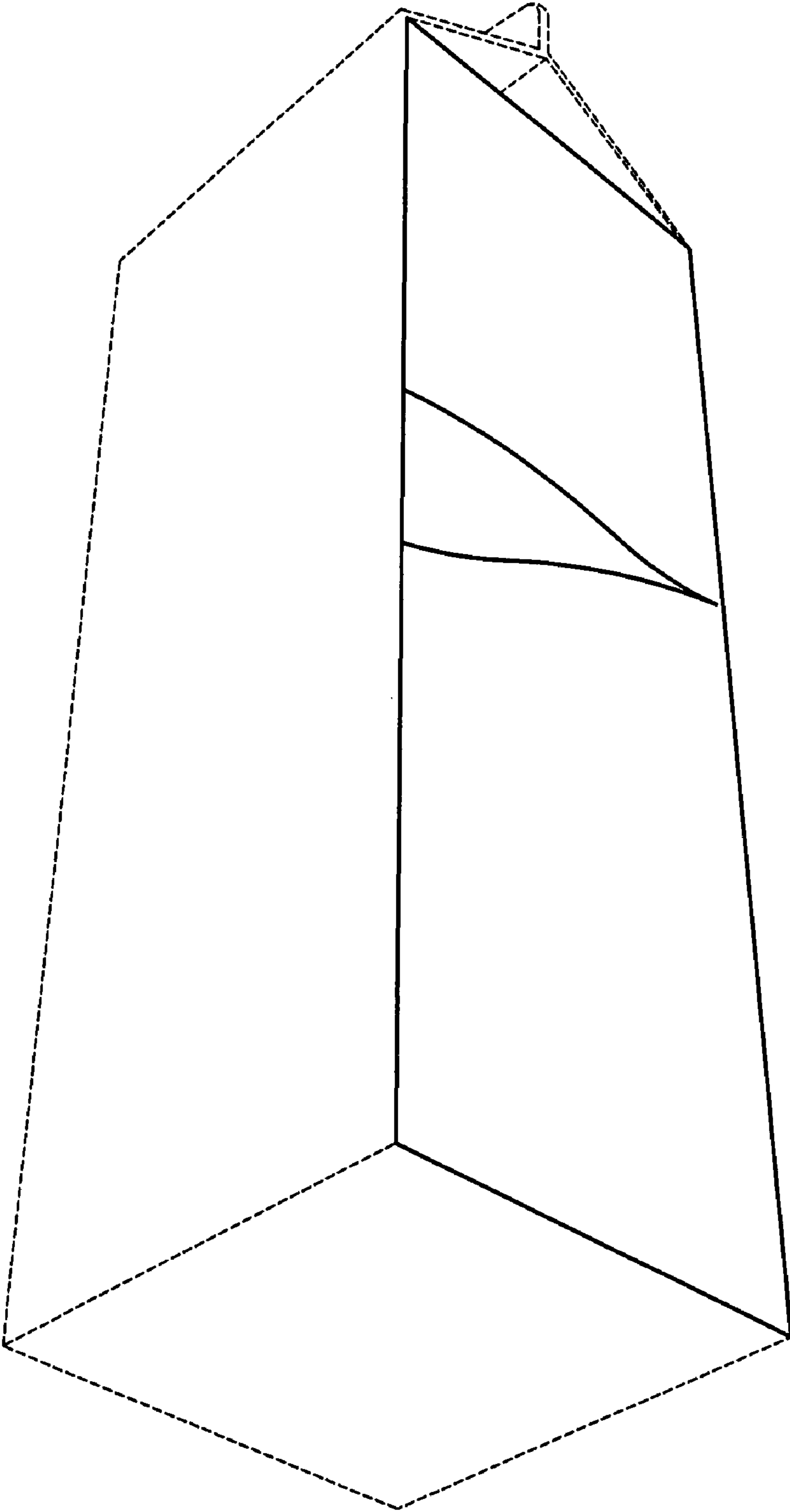


FIG. 3

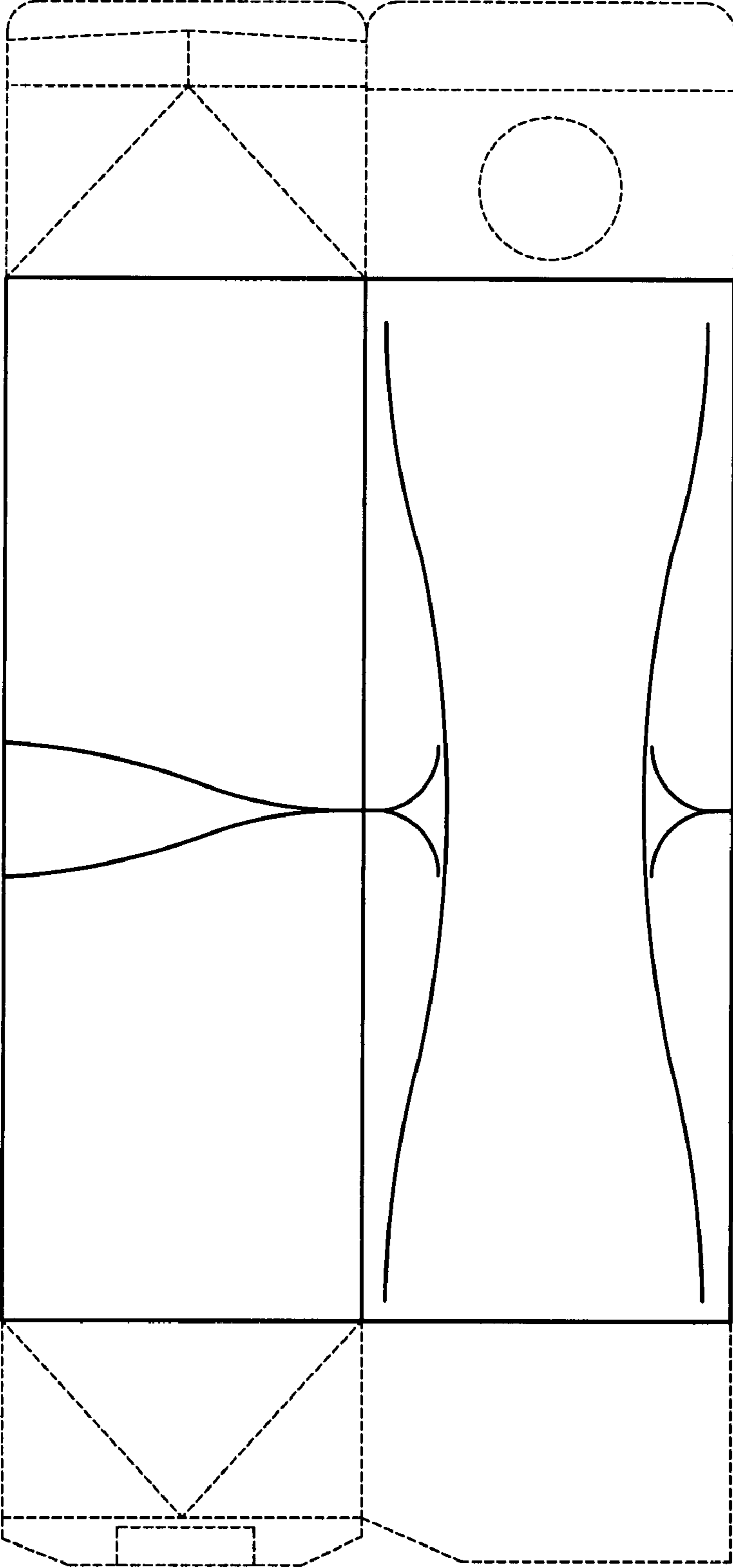


FIG. 4

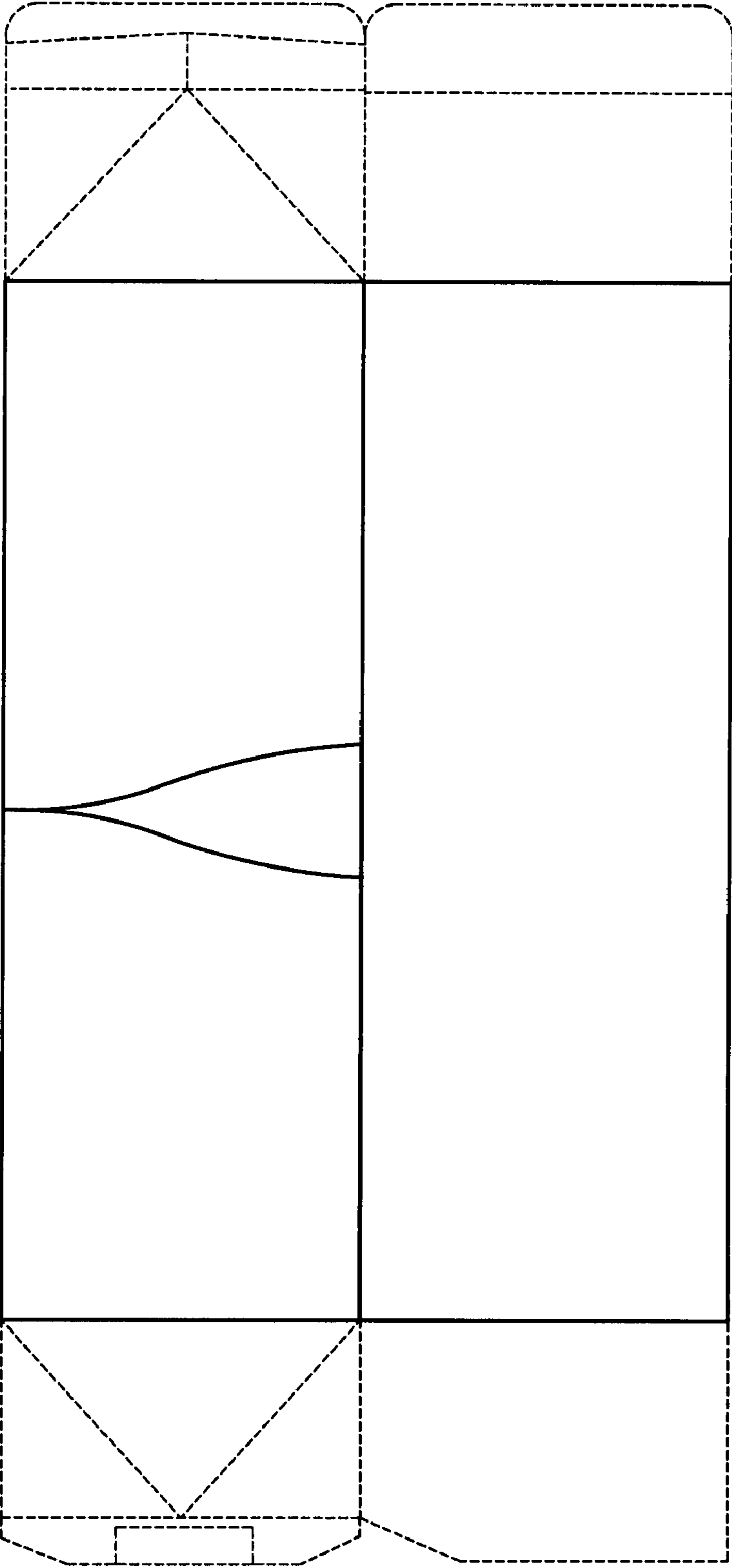


FIG. 5