



US00D649446S

(12) **United States Design Patent**  
**Totsu**

(10) **Patent No.:** **US D649,446 S**

(45) **Date of Patent:** **\*\* Nov. 29, 2011**

(54) **SCREW**

(76) Inventor: **Katsuyuki Totsu**, Sumida-ku (JP)

(\*\*) Term: **14 Years**

(21) Appl. No.: **29/385,240**

(22) Filed: **Feb. 10, 2011**

(51) **LOC (9) Cl.** ..... **08-08**

(52) **U.S. Cl.** ..... **D8/387**

(58) **Field of Classification Search** ..... D8/387,  
D8/388, 391; 411/378-379, 393-394, 411,  
411/402-405, 178, 184, 188, 412, 481, 387.1;  
52/156-157; 248/156, 545

See application file for complete search history.

(56) **References Cited**

U.S. PATENT DOCUMENTS

D285,651	S *	9/1986	Iwata et al.	.....	D8/387
5,279,190	A *	1/1994	Goss et al.	.....	81/460
6,017,177	A *	1/2000	Lanham	.....	411/410
D559,094	S *	1/2008	Totsu	.....	D8/387
D568,731	S *	5/2008	Campbell	.....	D8/387
D580,261	S *	11/2008	Bulte	.....	D8/387
D592,044	S *	5/2009	Bulte	.....	D8/387
D596,483	S *	7/2009	Yehling	.....	D8/397
7,568,872	B2 *	8/2009	Schultz	.....	411/403
D599,650	S *	9/2009	Simms	.....	D8/387
D612,230	S *	3/2010	Tanner	.....	D8/387
7,798,756	B2 *	9/2010	Chang	.....	411/386
D640,918	S *	7/2011	Totsu	.....	D8/387

\* cited by examiner

*Primary Examiner* — Robert M Spear

*Assistant Examiner* — Sheryl Lane

(74) *Attorney, Agent, or Firm* — DLA Piper LLP (US)

(57) **CLAIM**

The ornamental design for a screw, as shown and described.

**DESCRIPTION**

FIG. 1 is a perspective view of the screw showing my new design;

FIG. 2 is a front elevational view thereof;

FIG. 3 is a rear elevational view thereof;

FIG. 4 is a left side elevational view thereof;

FIG. 5 is a right side elevational view thereof;

FIG. 6 is a top plan view thereof;

FIG. 7 is a bottom plan view thereof; and

FIG. 8 is a cross sectional view taken along the lines 8-8 in FIG. 6, showing the shape of the grooves inside the screw head; and,

FIG. 9 is a cross sectional view taken along the lines 9-9 in FIG. 6, showing the shape of the grooves inside the screw head.

The broken lines in the drawings illustrate unclaimed portions of the screw.

**1 Claim, 5 Drawing Sheets**

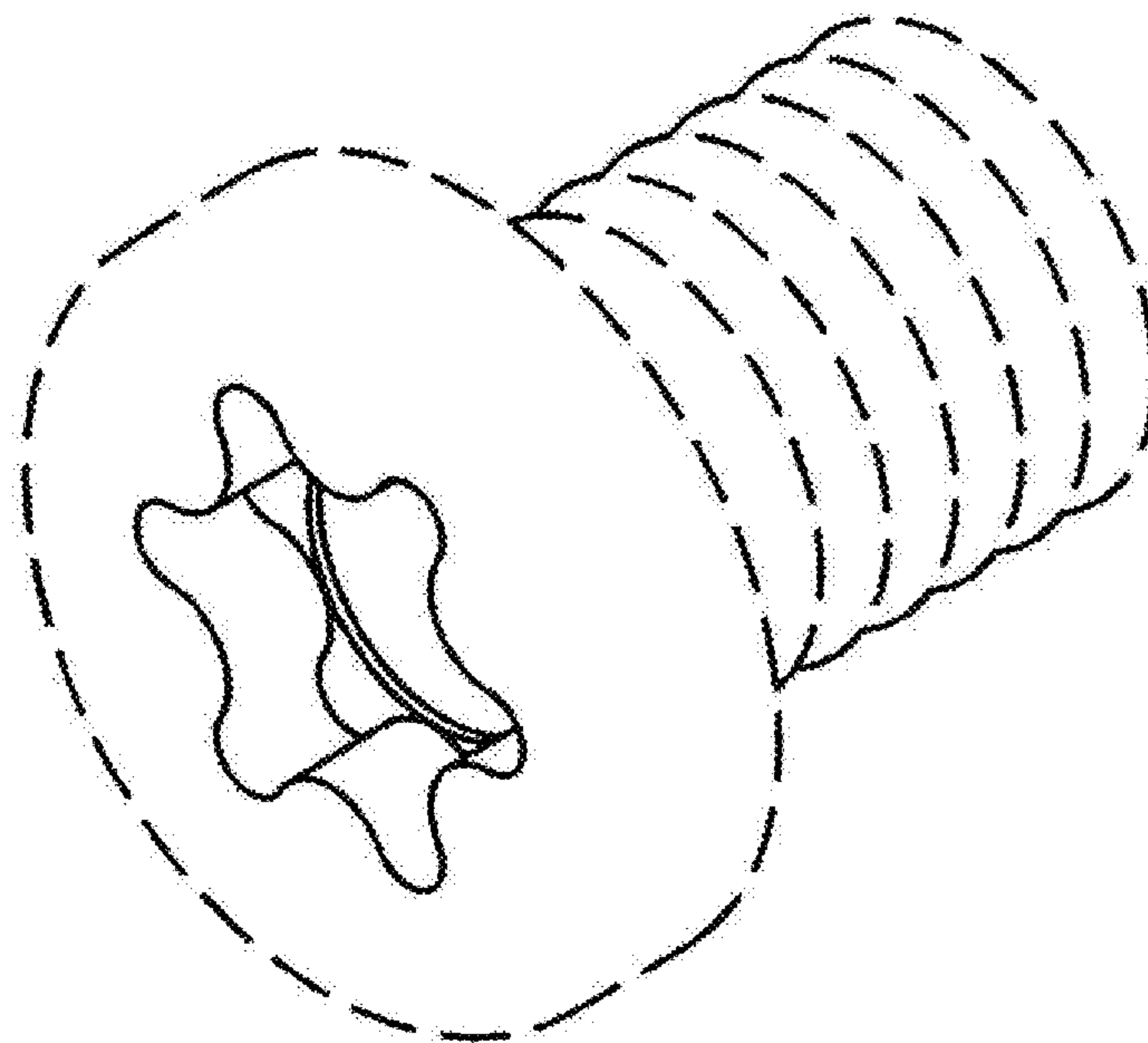


FIG. 1

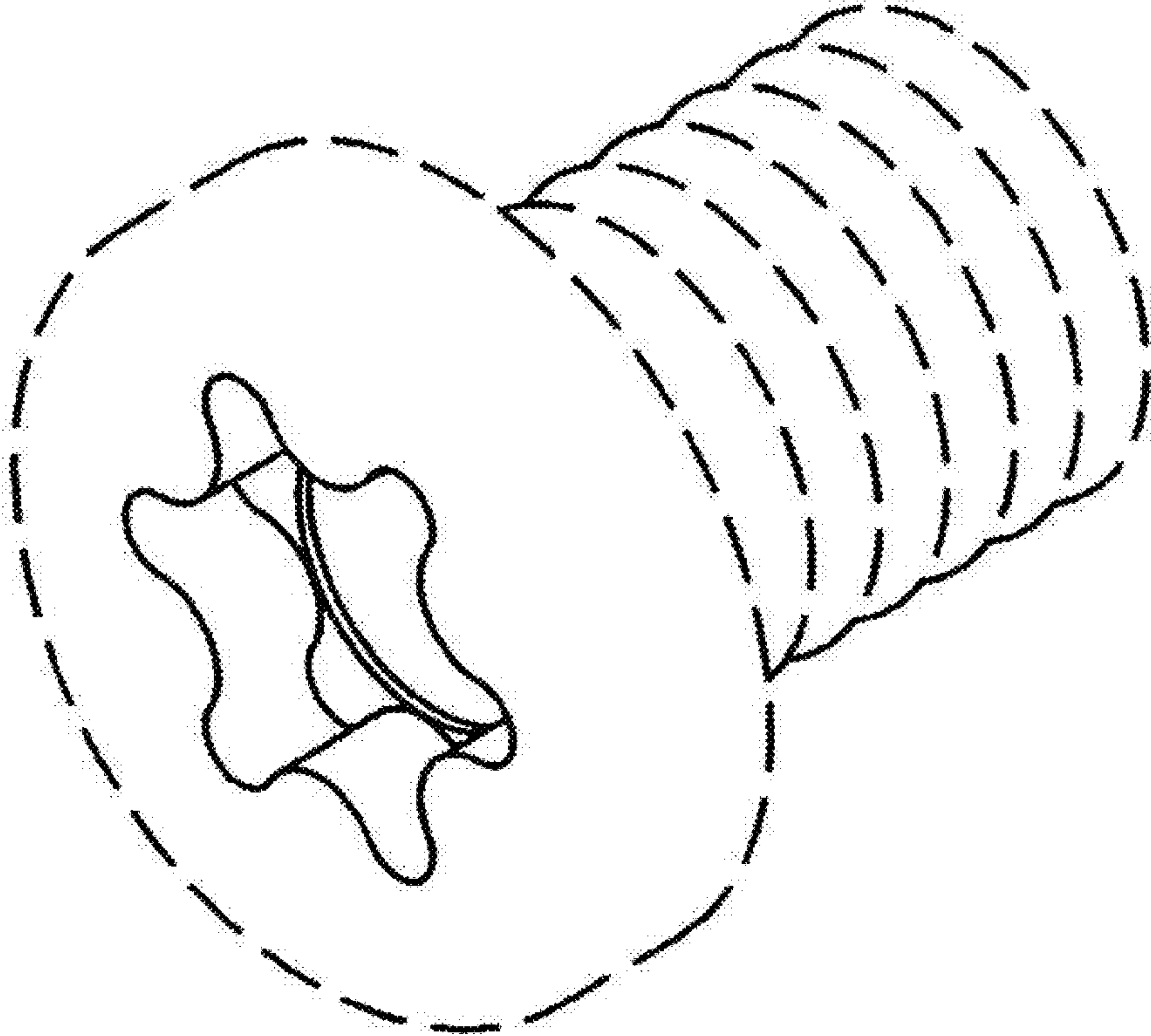


FIG. 2

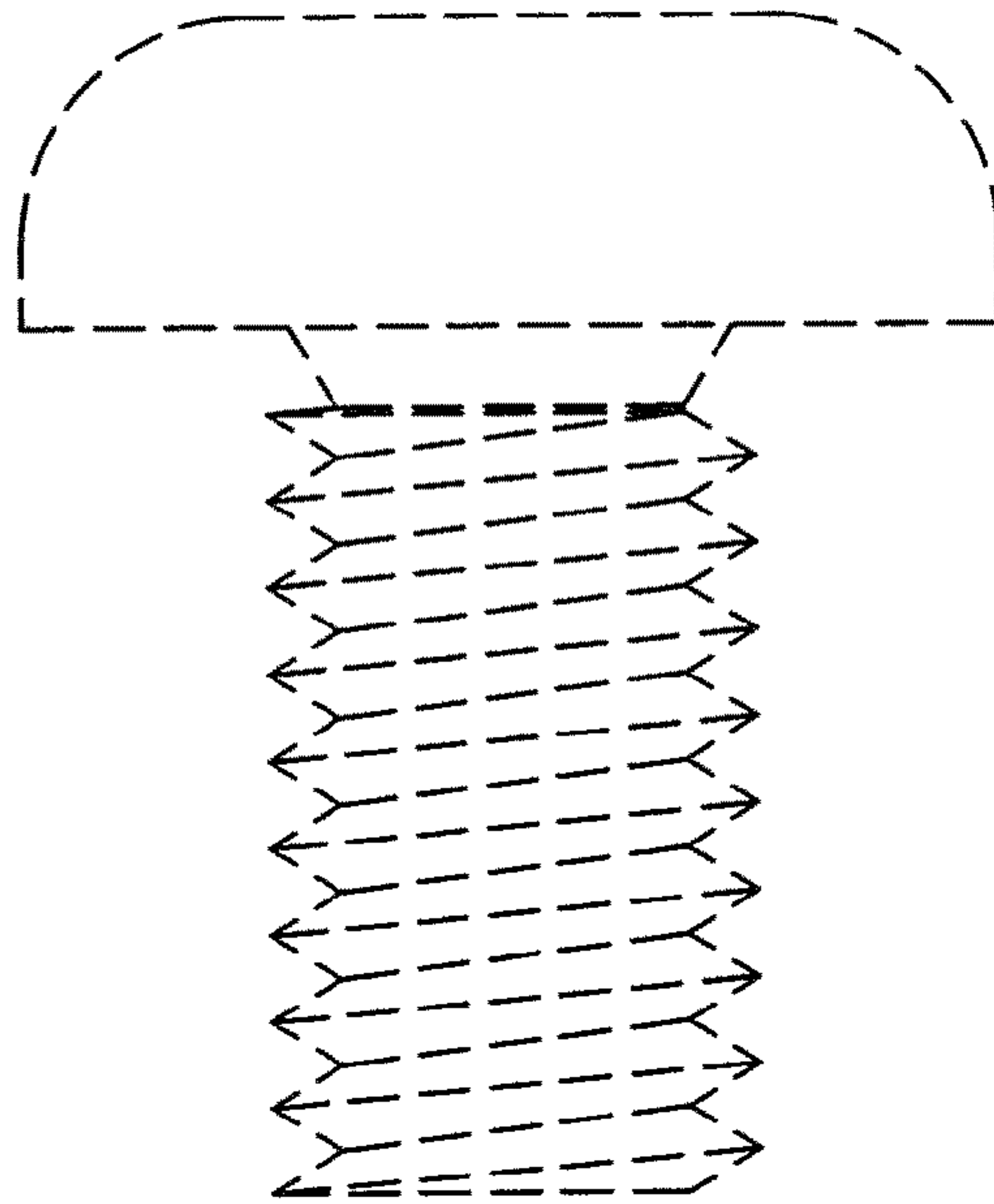


FIG. 3

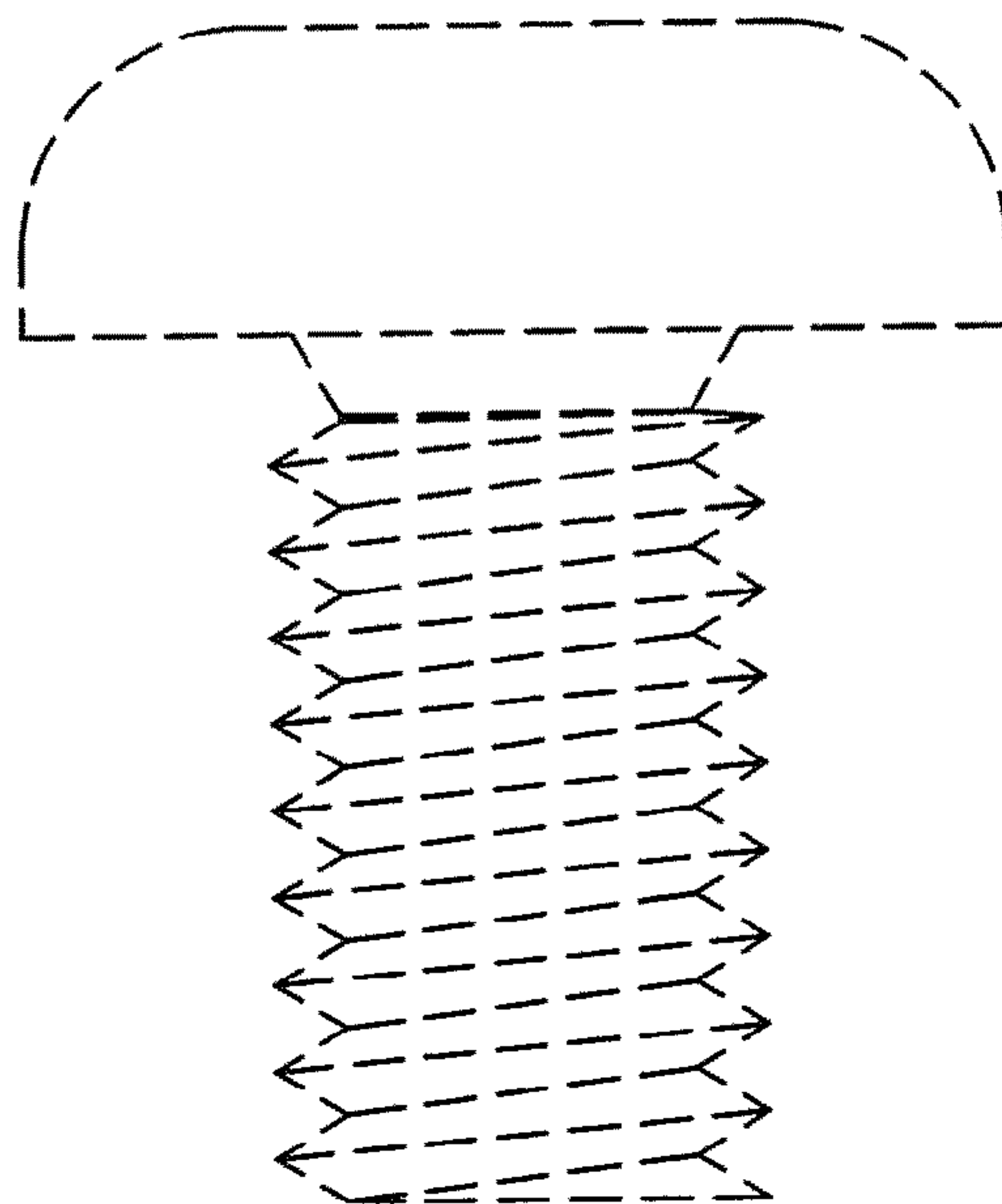


FIG. 4

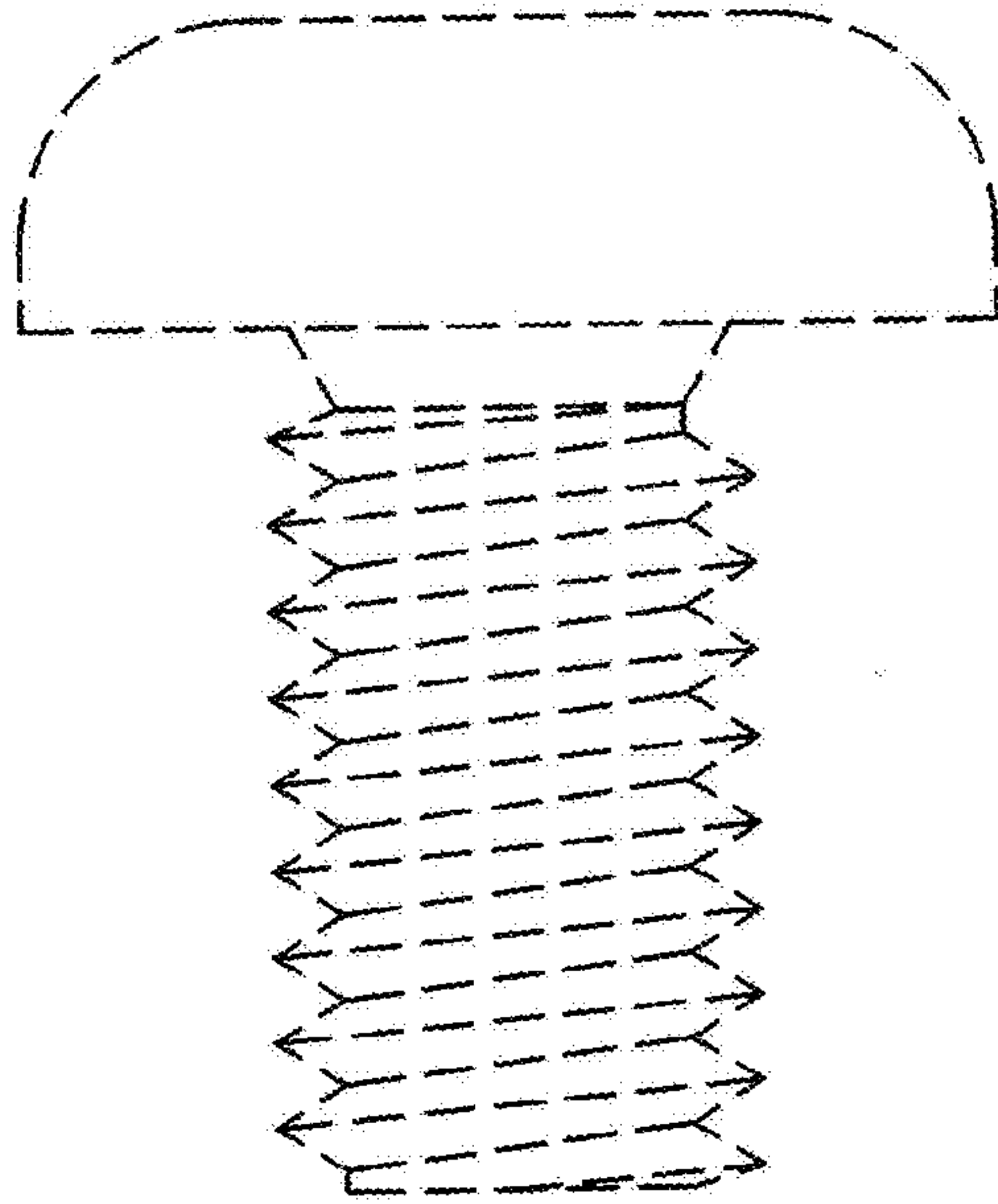


FIG. 5

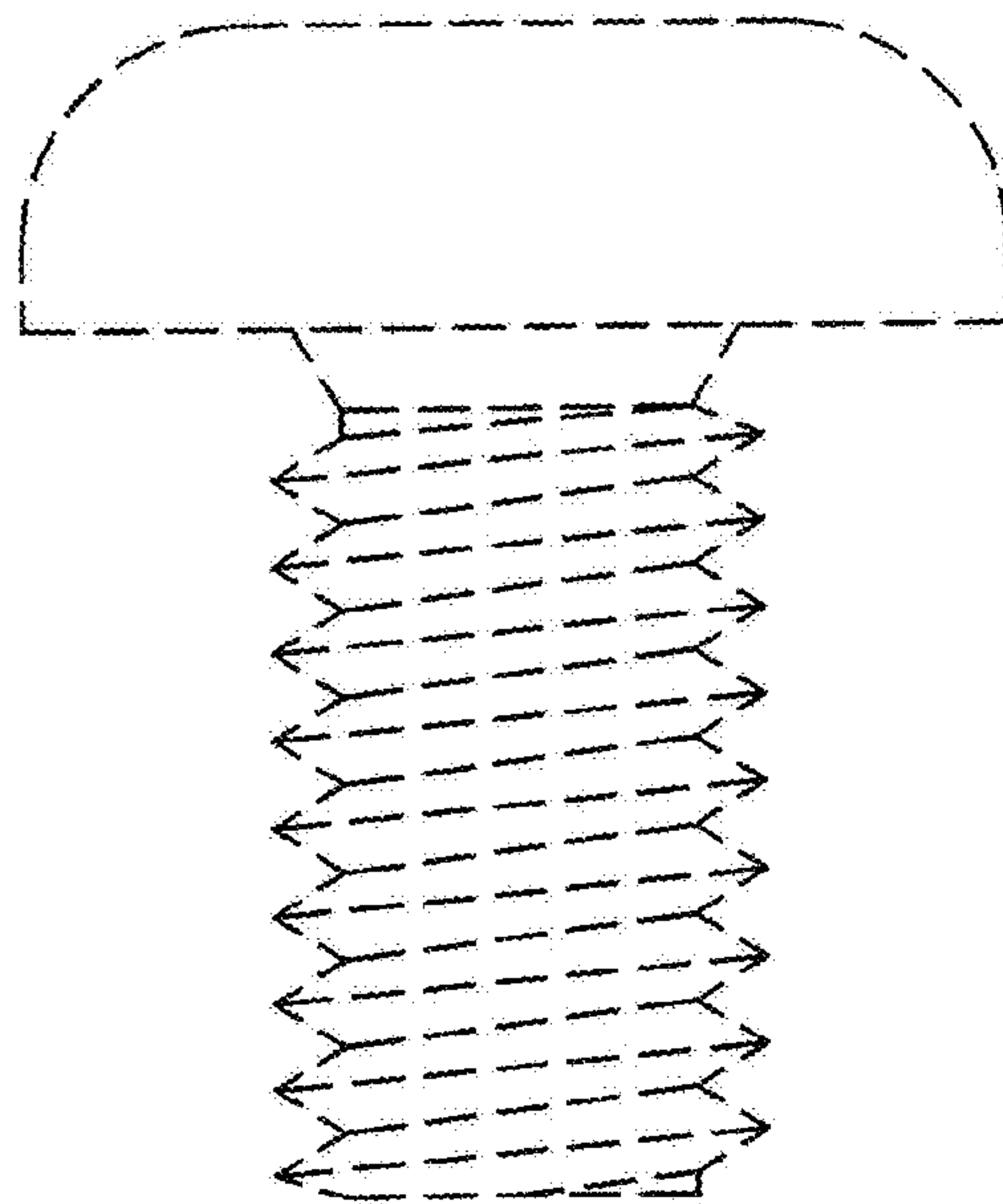


FIG. 6

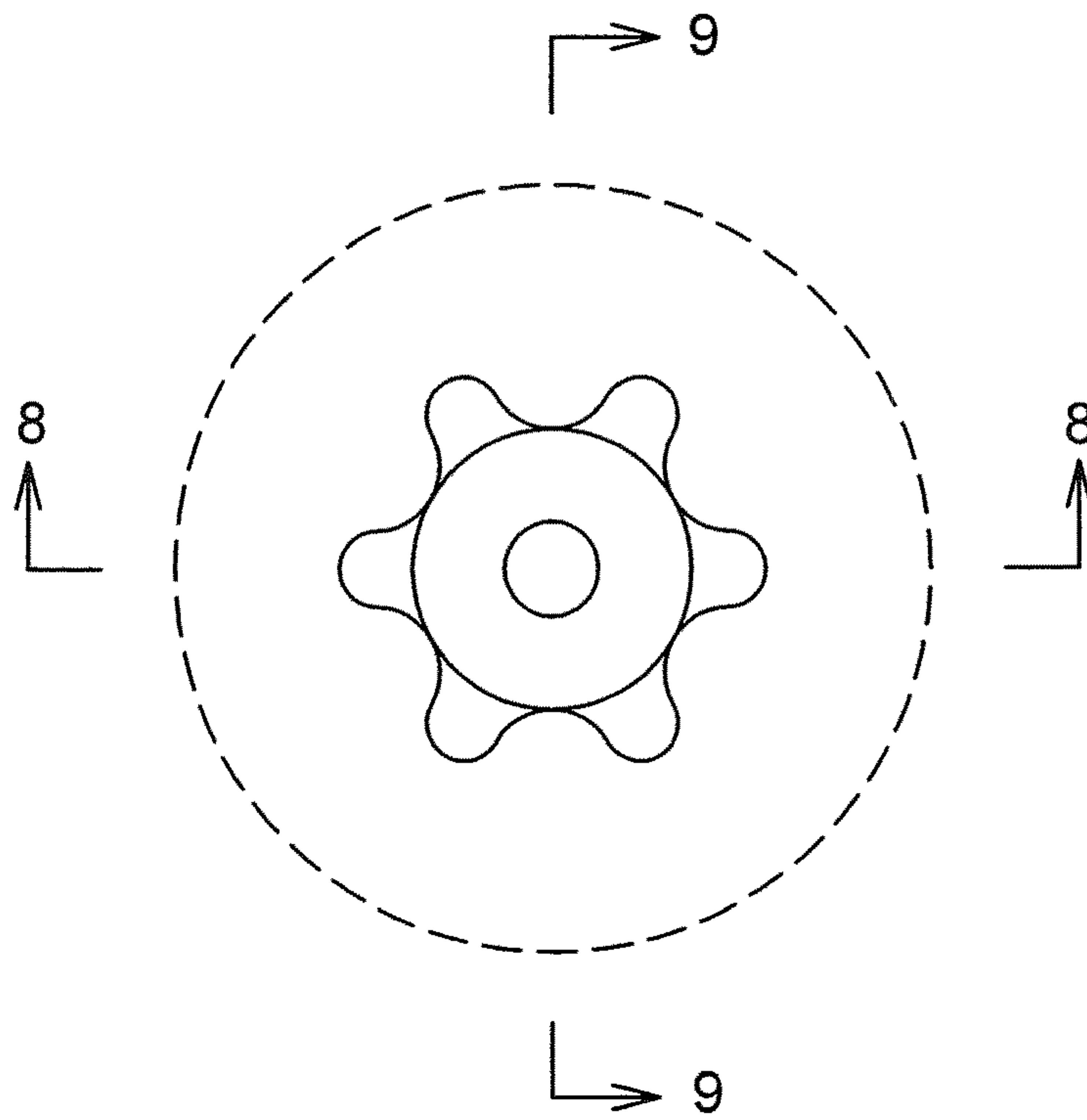


FIG. 7

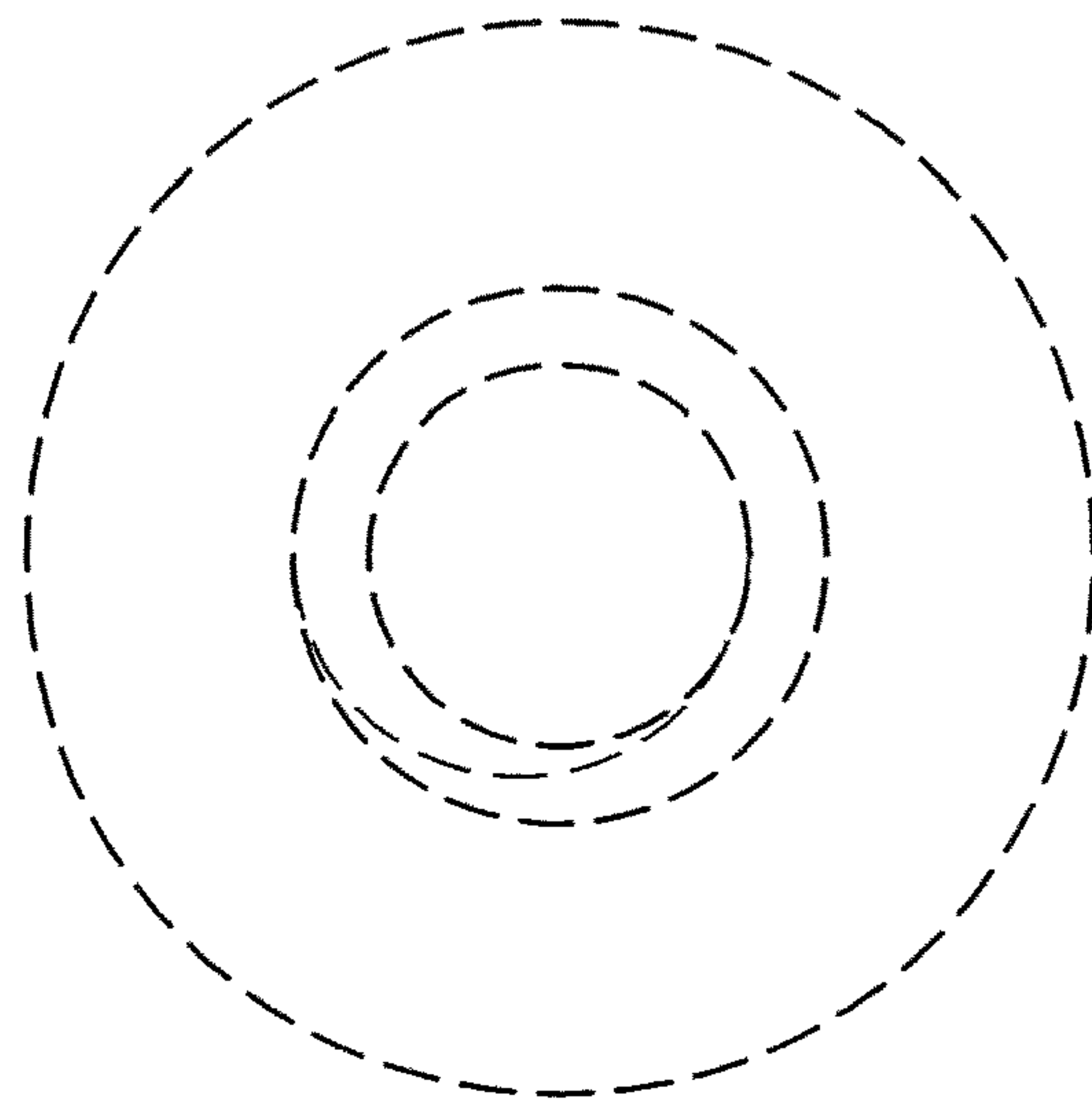


FIG. 8

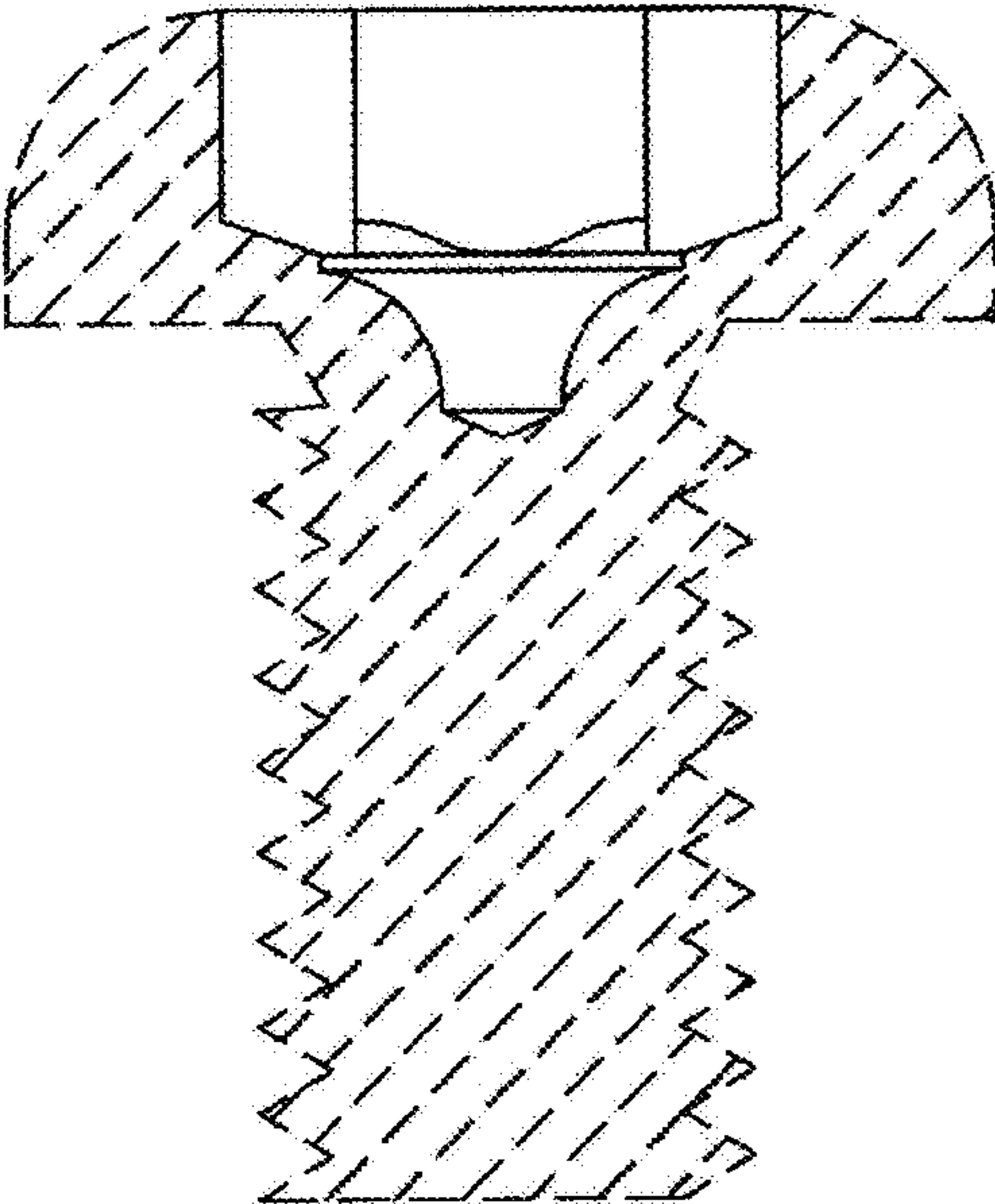


FIG. 9

