

US00D649444S

(12) **United States Design Patent**
Gallagher, Jr. et al.

(10) **Patent No.:** **US D649,444 S**

(45) **Date of Patent:** **** Nov. 29, 2011**

(54) **STOPPER CLIP**

(75) Inventors: **William K. Gallagher, Jr.**, Oakland, CA (US); **Lori Bonn Gallagher**, Oakland, CA (US); **Sabrina Ferrand**, San Rafael, CA (US)

(73) Assignee: **Lori Bonn Design, Inc.**, Oakland, CA (US)

(**) Term: **14 Years**

(21) Appl. No.: **29/376,049**

(22) Filed: **Sep. 30, 2010**

(51) **LOC (9) Cl.** **08-08**

(52) **U.S. Cl.** **D8/383**

(58) **Field of Classification Search** D8/383;
D11/200, 201, 216, 206, 213, 222, 218, 6,
D11/87, 94; 24/115 R, 115 H, 200, 196,
24/171, 169, 112, 163 R, 350, 265 R, 30.5 P,
24/543; 63/3, 3.1

See application file for complete search history.

(56) **References Cited**

U.S. PATENT DOCUMENTS

4,038,726	A *	8/1977	Takabayashi	24/198
D264,828	S *	6/1982	Gray	D11/87
4,590,649	A	5/1986	Neilson, Jr.		
4,656,697	A *	4/1987	Naslund	24/30.5 P
D323,102	S *	1/1992	Kipling	D8/331
D331,725	S *	12/1992	Mastoloni	D11/87
5,548,878	A *	8/1996	Romagnoli	24/306
5,687,585	A *	11/1997	Ferrell	63/21
5,706,560	A *	1/1998	Anscher et al.	24/543
5,960,522	A *	10/1999	Boe	24/543
5,979,095	A *	11/1999	Schneider et al.	40/633
6,223,559	B1	5/2001	Coleman		

D466,433	S *	12/2002	Goto	D11/87
D499,330	S *	12/2004	Peato	D8/383
7,007,507	B2 *	3/2006	Enevoldsen	63/3.1
7,249,397	B2 *	7/2007	Abels et al.	24/132 R
D585,331	S *	1/2009	Kumazaki et al.	D11/216
7,540,172	B2	6/2009	Julkowski et al.		
D627,001	S *	11/2010	de Niet	D20/22
2002/0144514	A1	10/2002	Rapport		
2004/0144131	A1 *	7/2004	Enevoldsen	63/3
2006/0260300	A1	11/2006	Julkowski et al.		

* cited by examiner

Primary Examiner — Holly Baynham

Assistant Examiner — Sheryl Lane

(74) *Attorney, Agent, or Firm* — James F. Hann; Haynes Beffel & Wolfeld LLP

(57) **CLAIM**

We claim the ornamental design for a stopper clip, as shown and described.

DESCRIPTION

FIG. 1 is a front, left side, top view of a stopper clip in an open position showing our new design, functional elements being shown in broken lines for environmental purposes only;

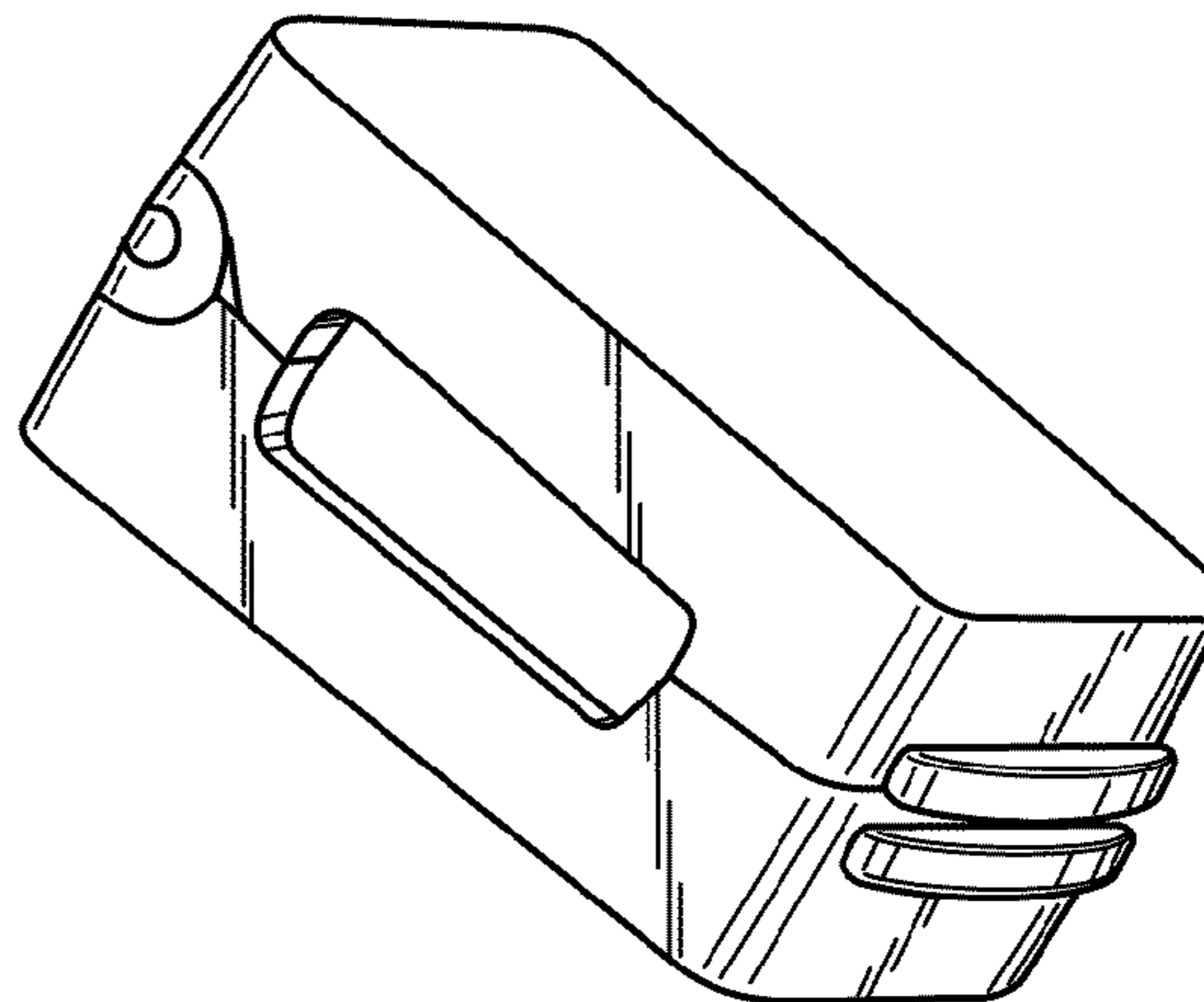
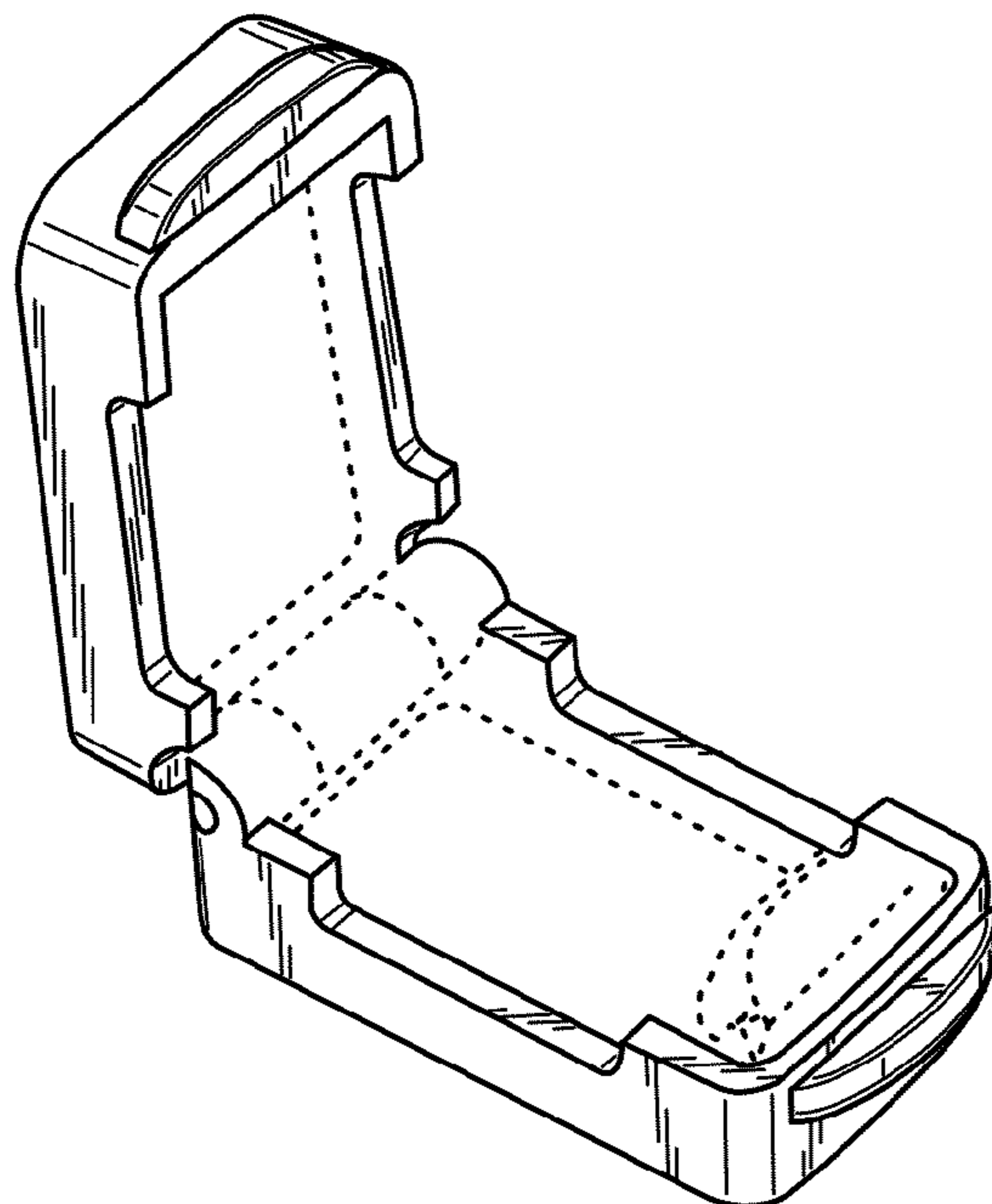
FIG. 2 is a left side, top, front view thereof in open condition with functional elements shown in broken lines for environmental purposes only;

FIG. 3 is right side, rear, bottom view thereof in a closed condition; and,

FIG. 4 is an environmental view illustrating the use of the stopper clip of FIG. 1 mounted to a bracelet and used to position charms along the bracelet.

The broken line showing of the bracelet is for the purpose of showing environment and forms no part of the claimed design.

1 Claim, 2 Drawing Sheets



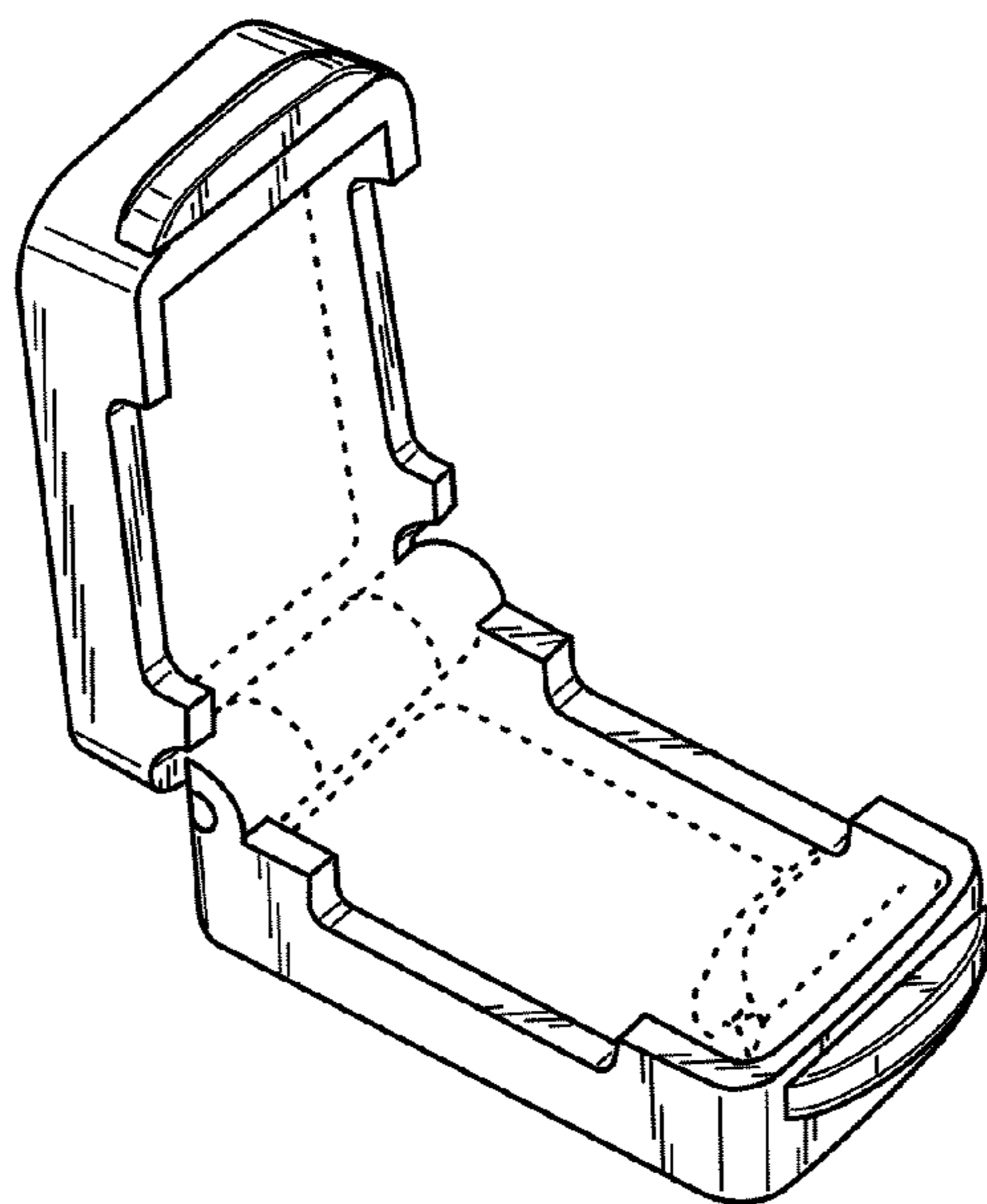


FIG. 1

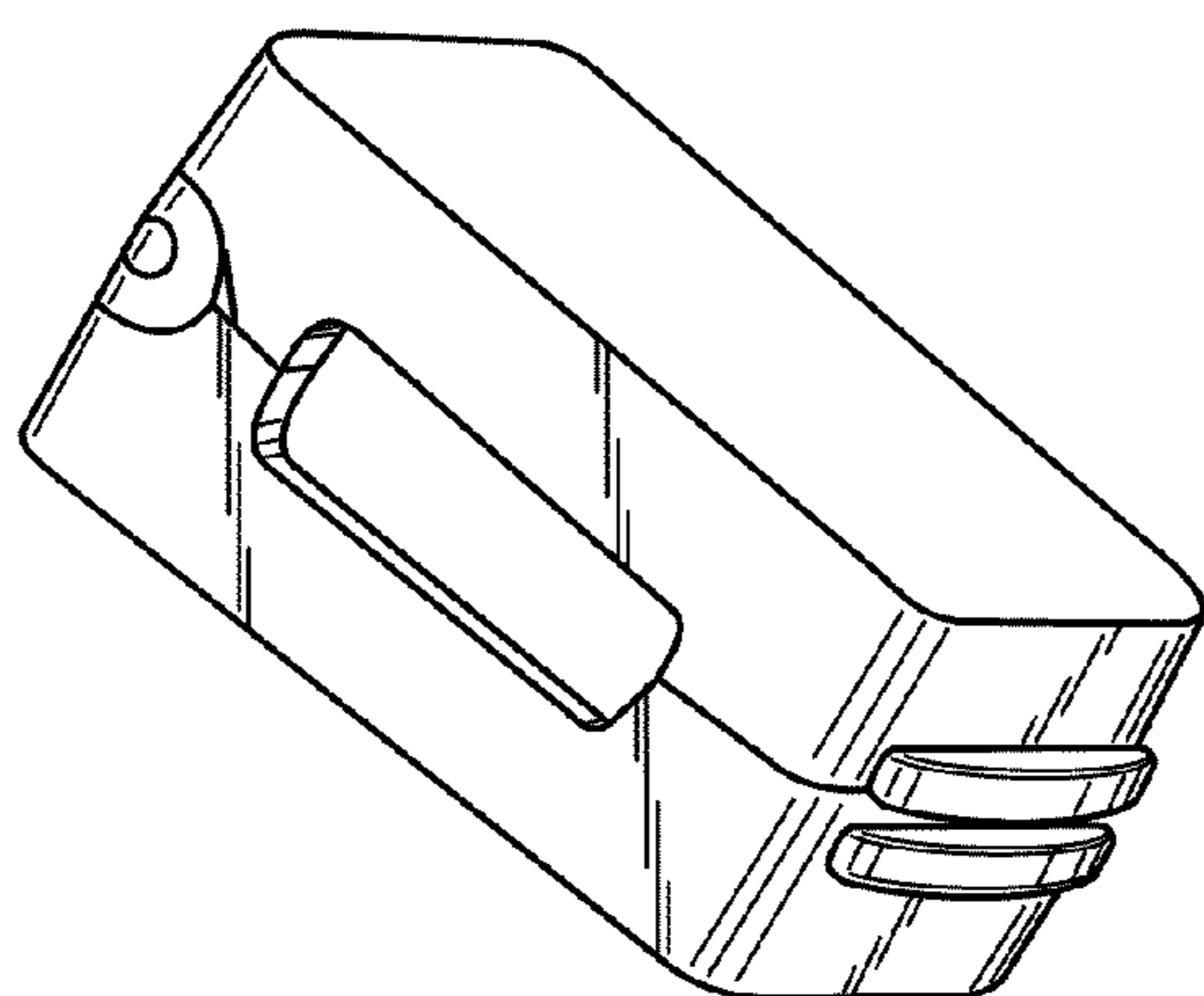


FIG. 2

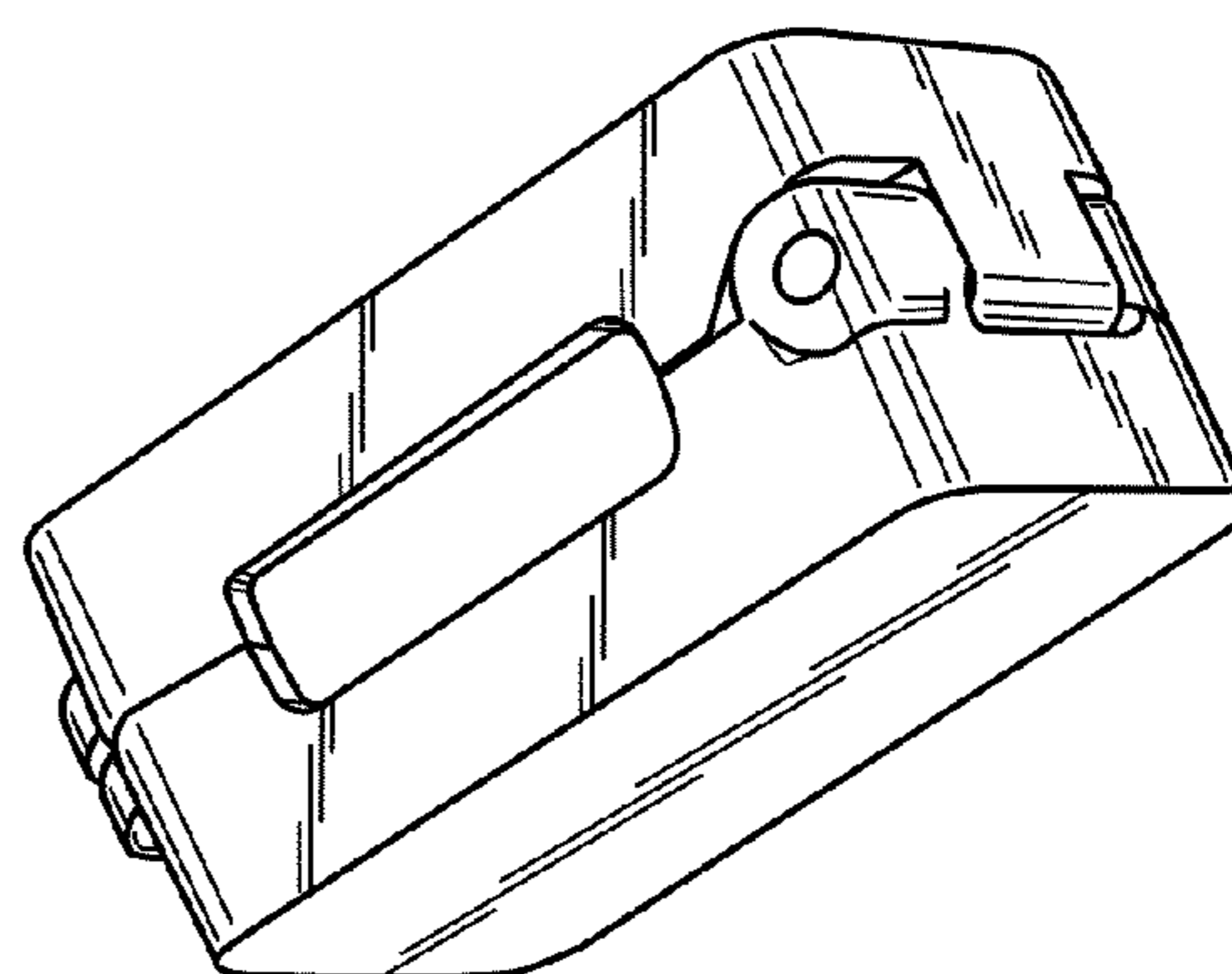


FIG. 3

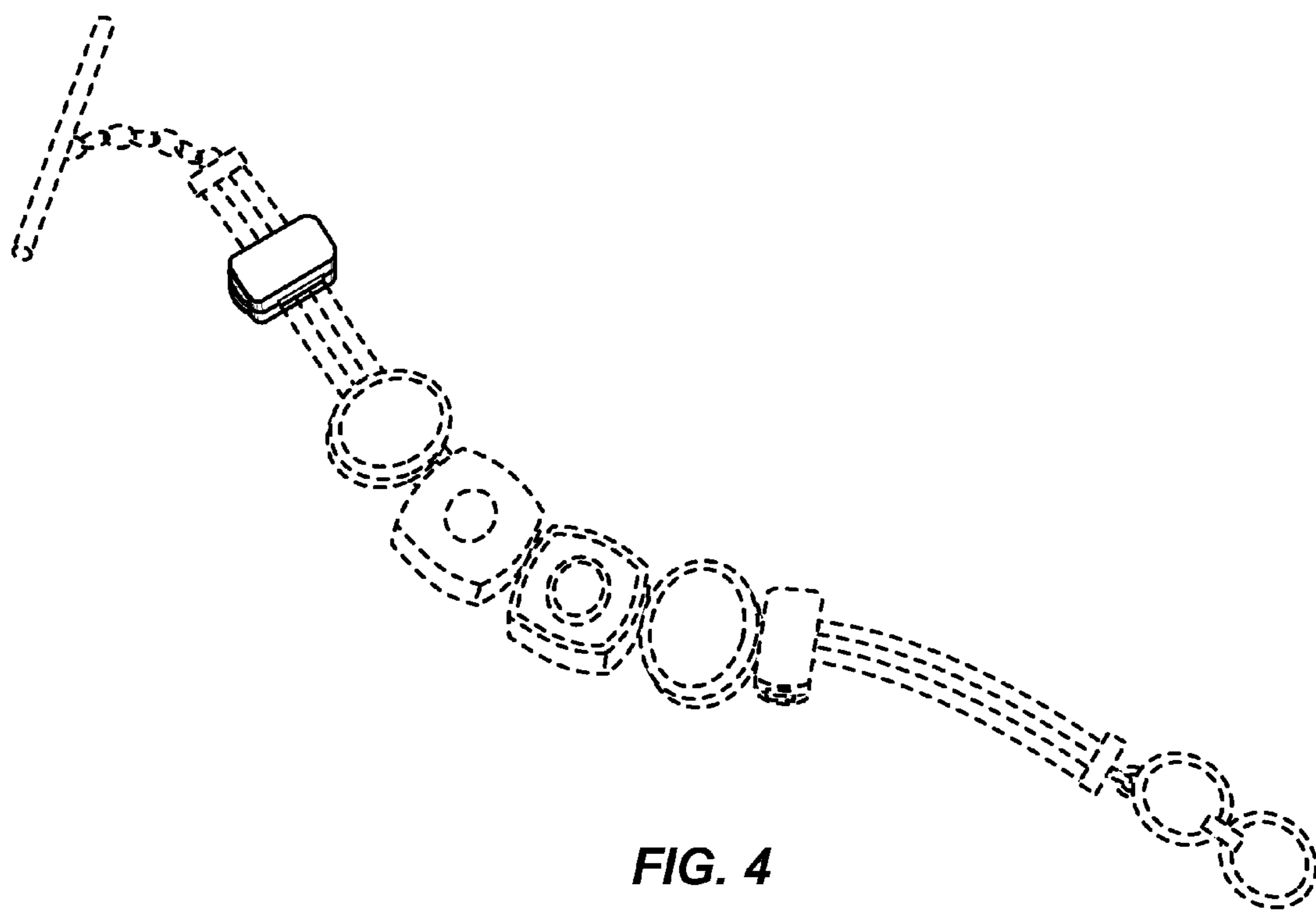


FIG. 4