



US00D649443S

(12) **United States Design Patent**
Heindl

(10) **Patent No.:** **US D649,443 S**

(45) **Date of Patent:** **** Nov. 29, 2011**

(54) **SHEET PILE CONNECTOR FOR
CONNECTING SHEET PILES**

D623,932 S * 9/2010 Austro D8/382
D626,827 S * 11/2010 Austro D8/382
D626,828 S * 11/2010 Austro D8/382

(75) Inventor: **Richard Heindl**, Munich (DE)

* cited by examiner

(73) Assignee: **Pilepro Sales Corp.**, Austin, TX (US)

Primary Examiner — Holly Baynham

Assistant Examiner — Sheryl Lane

(**) Term: **14 Years**

(74) *Attorney, Agent, or Firm* — Karl F. Milde, Jr.; Eckert
Seamans Cherin & Mellott, LLC

(21) Appl. No.: **29/360,758**

(22) Filed: **Apr. 30, 2010**

(57) **CLAIM**

(51) **LOC (9) Cl.** **08-08**

The ornamental design for a sheet pile connector for connect-
ing sheet piles, as shown and described.

(52) **U.S. Cl.** **D8/382**

(58) **Field of Classification Search** D8/382,
D8/394-395; D25/119, 61; 405/278-279;
24/370, 346, 573.09

DESCRIPTION

See application file for complete search history.

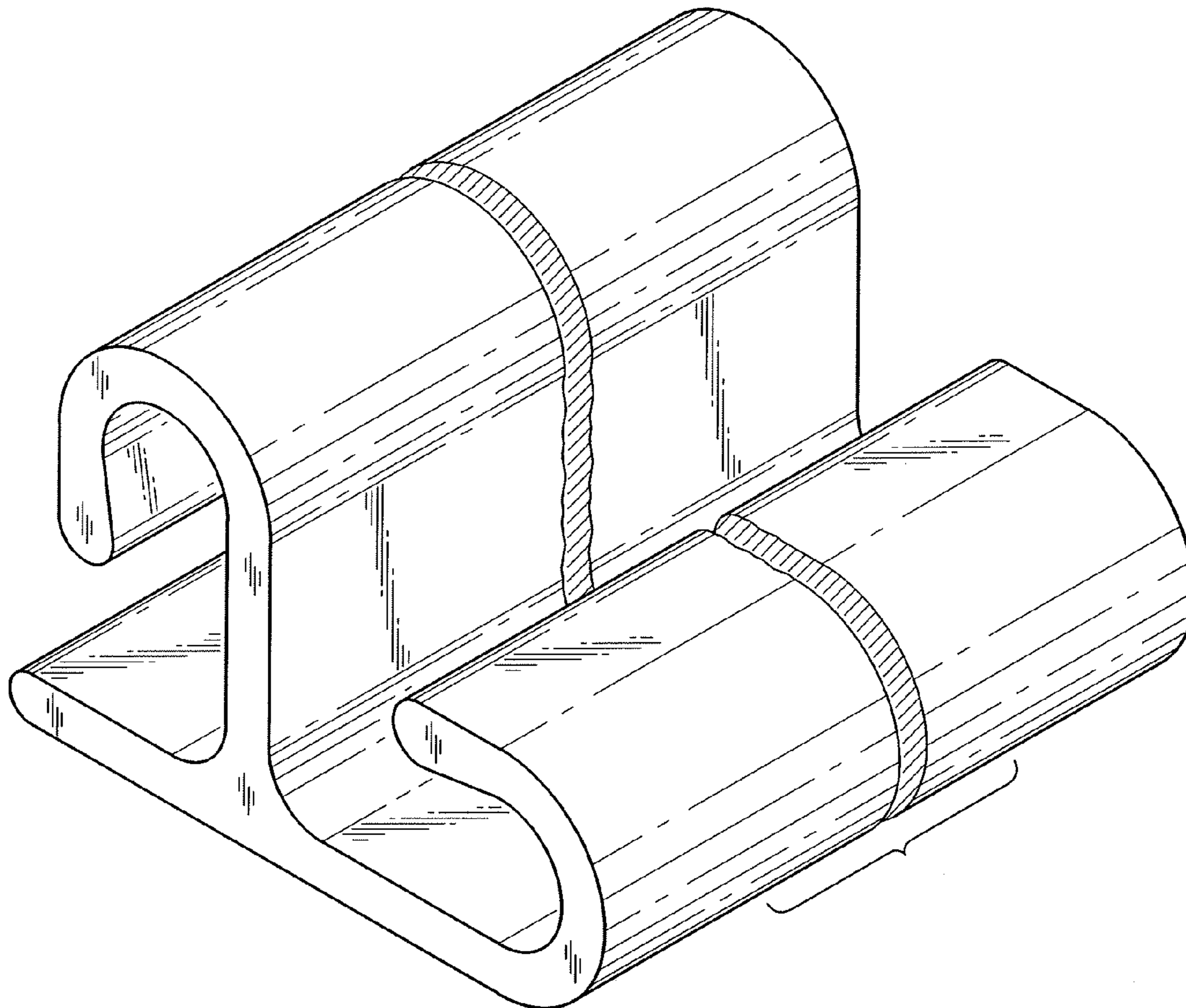
FIG. 1 is a perspective view of the sheet pile connector for
connecting sheet piles according to my design. The connect-
ing element is of indeterminate length; and,
FIG. 2 a front view of the sheet pile connector for connecting
sheet piles of FIG. 1.

(56) **References Cited**

U.S. PATENT DOCUMENTS

D542,633 S * 5/2007 Heindl D8/382
D543,099 S * 5/2007 Heindl D8/382

1 Claim, 2 Drawing Sheets



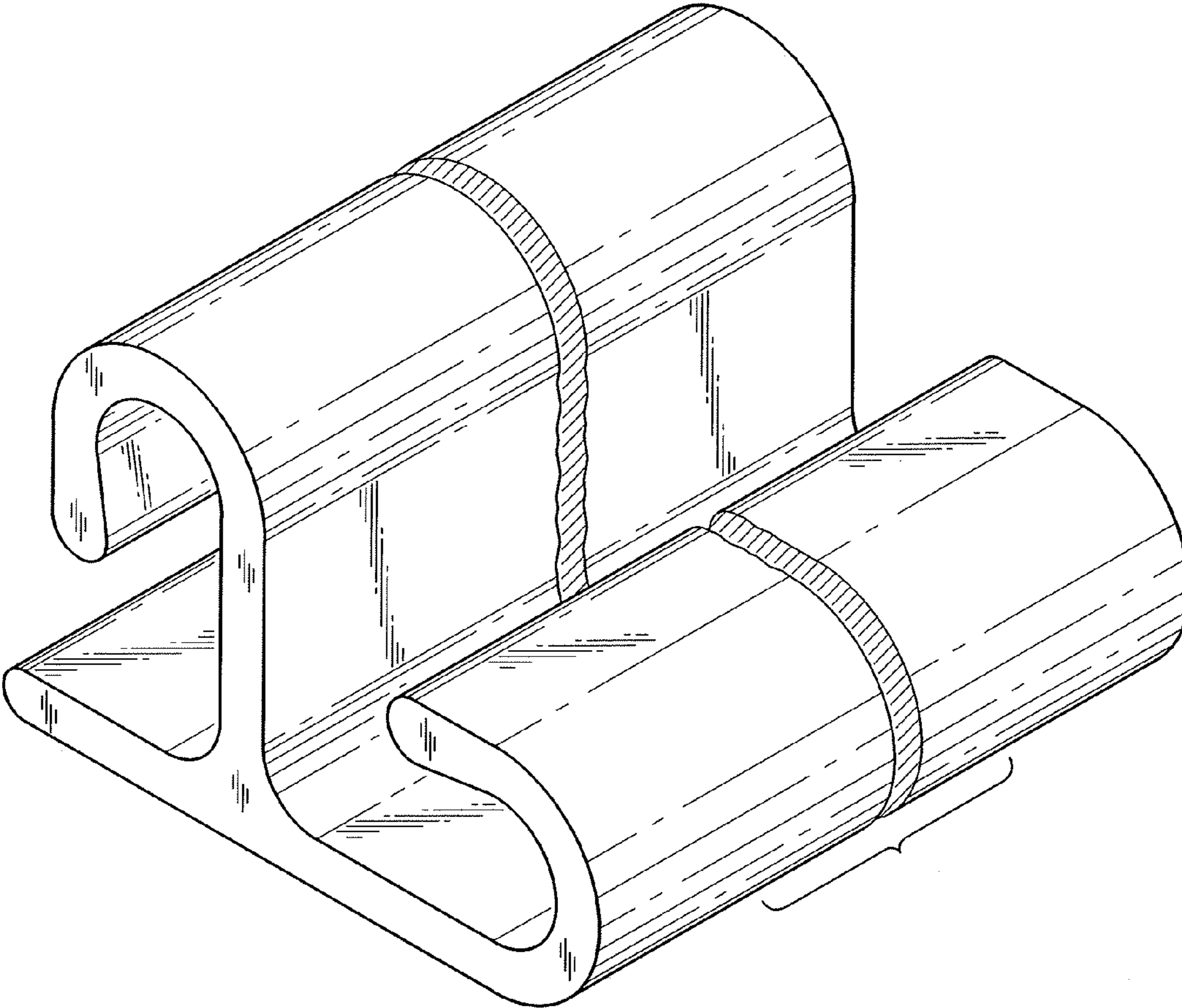


FIG. 1

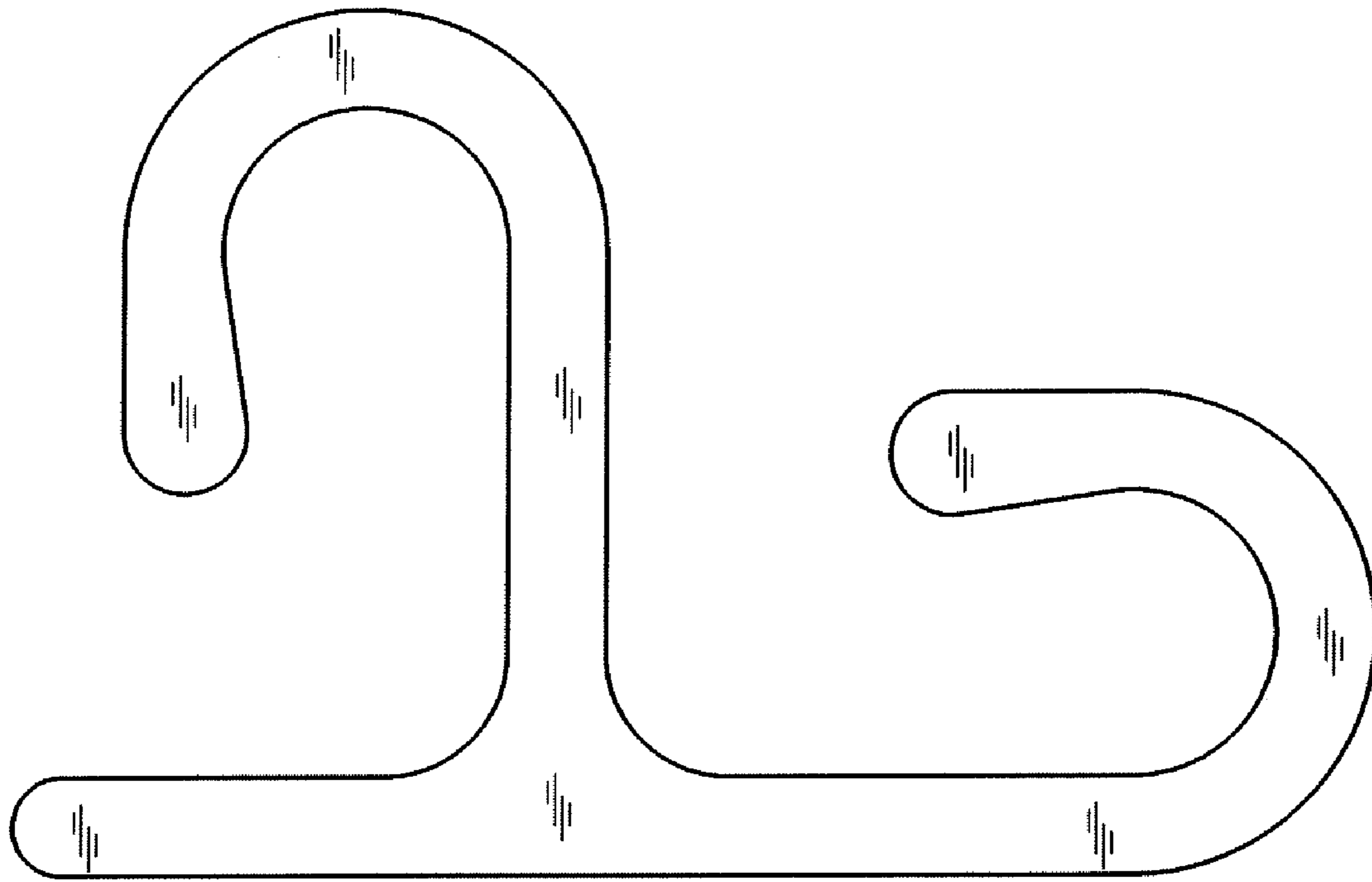


FIG. 2