



US00D649437S

(12) **United States Design Patent**  
**McDuff et al.**

(10) **Patent No.:** **US D649,437 S**

(45) **Date of Patent:** **\*\* Nov. 29, 2011**

(54) **WALL-MOUNTED HOOK**

(75) Inventors: **Pierre McDuff**, Outremont (CA);  
**Alexandre Pollak**, Laval (CA); **Lang**  
**Nguyen**, Dollard-des-Ormeaux (CA)

(73) Assignee: **Cobra Fixations Cie. Ltee.-Cobra**  
**Anchors Co. Ltd.**, Montreal, Quebec  
(CA)

(\*\*) Term: **14 Years**

(21) Appl. No.: **29/387,308**

(22) Filed: **Mar. 11, 2011**

**Related U.S. Application Data**

(62) Division of application No. 29/350,548, filed on Nov.  
18, 2009, now Pat. No. Des. 636,256.

(51) **LOC (9) Cl.** ..... **08-05**

(52) **U.S. Cl.** ..... **D8/367**

(58) **Field of Classification Search** ..... 248/301,  
248/304, 215

See application file for complete search history.

(56) **References Cited**

**U.S. PATENT DOCUMENTS**

165,206	A	7/1875	Brown
365,725	A	6/1887	Buckland
738,074	A	9/1903	Schick
739,512	A	9/1903	Stannard
745,722	A	12/1903	Jung
1,100,170	A	6/1914	Brosius
1,132,414	A	3/1915	White
1,159,420	A	11/1915	Rubly
1,161,268	A	11/1915	Tuck
1,185,587	A	5/1916	Bragg
1,210,610	A	1/1917	Dehn
1,333,692	A	3/1920	Wester
1,389,540	A	8/1921	Washington
1,409,291	A	3/1922	Giroux
1,573,557	A	2/1926	Alexander

1,637,981	A	8/1927	Baldwin
1,670,398	A	5/1928	Silvino
1,676,197	A	7/1928	Marrinan
1,780,474	A	11/1930	Glazer
1,802,934	A	4/1931	Balch
1,999,575	A	4/1935	Reuter et al.

(Continued)

**FOREIGN PATENT DOCUMENTS**

CA 2458320 A1 8/2004

(Continued)

**OTHER PUBLICATIONS**

International Search Report for PCT/CA2004/000311 mailed Jul. 14,  
2004.

(Continued)

*Primary Examiner* — Holly Baynham

*Assistant Examiner* — Sheryl Lane

(74) *Attorney, Agent, or Firm* — Ungaretti & Harris LLP

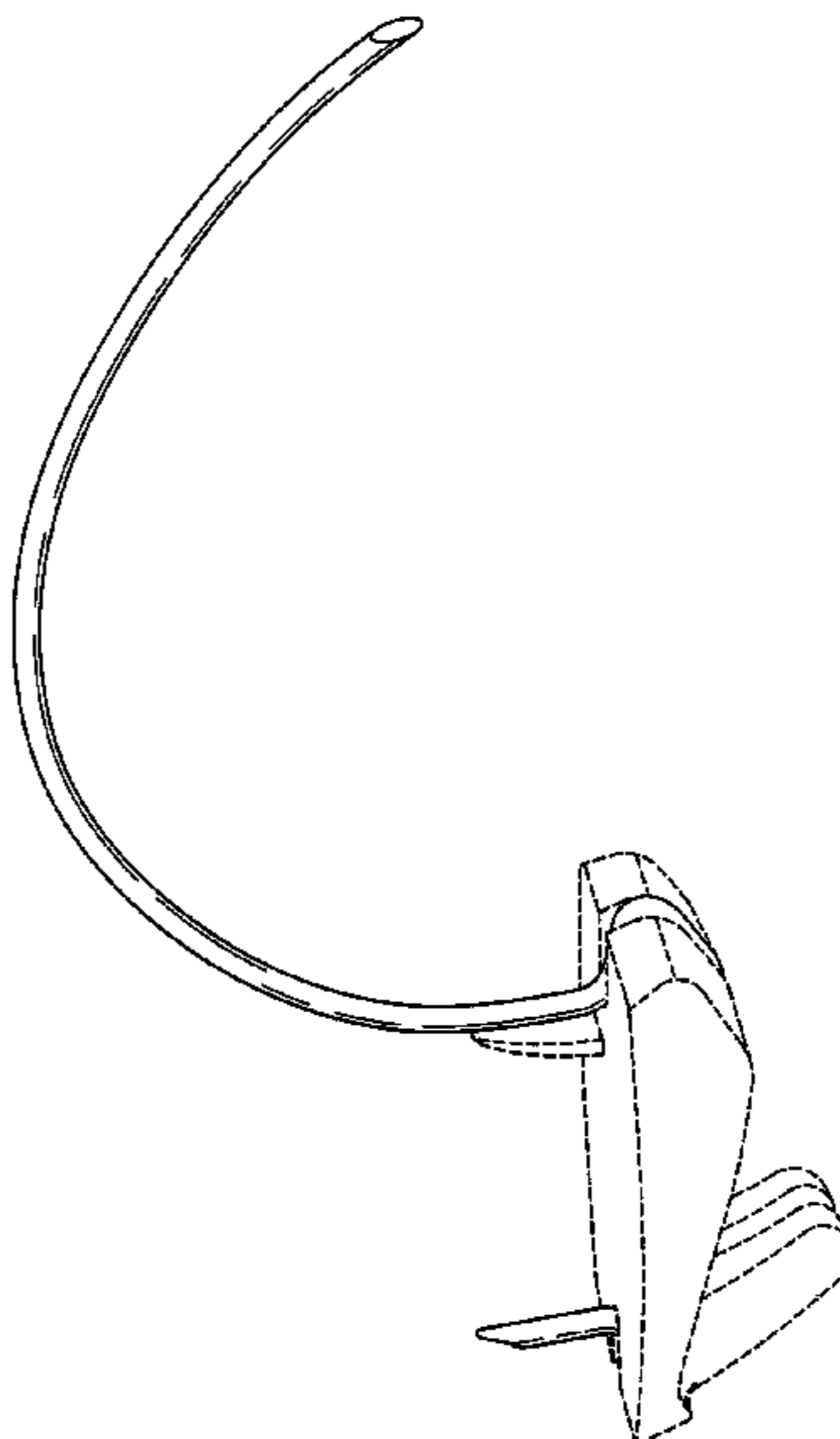
(57) **CLAIM**

We claim the ornamental design for a wall-mounted hook, as  
shown and described.

**DESCRIPTION**

FIG. 1 is a rear perspective view of our ornamental design of  
the wall-mounted hook;  
FIG. 2 is a left side view of the wall-mounted hook of FIG. 1;  
FIG. 3 is a front view of the wall-mounted hook of FIG. 1;  
FIG. 4 is a top plan view of the wall-mounted hook of FIG. 1;  
FIG. 5 is a bottom plan view of the wall-mounted hook of  
FIG. 1; and,  
FIG. 6 is a rear view of the wall-mounted hook of FIG. 1.  
The broken line showing of the figures is included for the  
purpose of illustrating portions of the article and forms no part  
of the claimed design.

**1 Claim, 3 Drawing Sheets**



# US D649,437 S

## U.S. PATENT DOCUMENTS

2,193,306 A 3/1940 Tinnerman  
 2,282,631 A 5/1942 Winship  
 2,339,841 A 1/1944 Deuchler et al.  
 D170,196 S 8/1953 Gries  
 2,698,470 A 1/1955 Buedingen  
 2,751,807 A 6/1956 Harre  
 2,883,946 A 4/1959 Kleef  
 2,908,196 A 10/1959 Apfelzweig  
 2,916,235 A 12/1959 Nagel  
 3,020,602 A 2/1962 Siering  
 3,127,807 A 4/1964 Modrey  
 3,143,915 A 8/1964 Tandler  
 3,248,994 A 5/1966 Mortensen  
 3,268,195 A 8/1966 Hoffman  
 3,282,547 A 11/1966 Ables  
 3,288,014 A 11/1966 Aackersberg  
 3,298,651 A 1/1967 Passer  
 3,618,447 A 11/1971 Goins  
 3,645,163 A 2/1972 Byland  
 3,707,898 A 1/1973 Holly  
 3,752,030 A 8/1973 Steurer  
 3,861,631 A 1/1975 Shorin  
 3,891,176 A 6/1975 Downing et al.  
 3,912,211 A 10/1975 Topf  
 3,926,394 A 12/1975 Mauceri et al.  
 3,966,157 A 6/1976 Corral et al.  
 4,043,245 A 8/1977 Kaplan  
 4,075,924 A 2/1978 McSherry et al.  
 4,120,231 A 10/1978 Neumayer  
 4,181,061 A 1/1980 McSherry  
 D259,700 S 6/1981 Chasen  
 4,274,324 A 6/1981 Giannuzzi  
 4,285,264 A 8/1981 Einhorn  
 4,286,497 A 9/1981 Shamah  
 4,294,156 A 10/1981 McSherry et al.  
 4,300,745 A 11/1981 Peterson  
 4,406,108 A 9/1983 Beck et al.  
 4,573,844 A 3/1986 Smith  
 4,613,108 A 9/1986 Sundstrom et al.  
 4,619,430 A 10/1986 Hogg  
 4,650,386 A 3/1987 McSherry et al.  
 4,697,969 A 10/1987 Sparkes  
 4,719,917 A 1/1988 Barrows et al.  
 4,821,992 A 4/1989 Johnson  
 4,822,226 A 4/1989 Kennedy  
 D301,975 S 7/1989 Mullen  
 4,871,140 A 10/1989 Hoskinson et al.  
 5,028,030 A 7/1991 Lewis  
 5,059,077 A 10/1991 Schmid  
 5,067,864 A 11/1991 Dewey et al.  
 5,149,037 A 9/1992 Smith  
 5,215,418 A 6/1993 Trainer et al.  
 5,221,169 A 6/1993 McSherry et al.  
 5,236,293 A 8/1993 McSherry et al.  
 D339,980 S 10/1993 Sheehan  
 5,267,718 A 12/1993 Sheehan  
 5,267,719 A 12/1993 Keller  
 5,308,203 A 5/1994 McSherry et al.  
 5,322,401 A 6/1994 Vernet  
 5,437,429 A 8/1995 Atlas  
 5,529,449 A 6/1996 McSherry et al.  
 5,536,121 A 7/1996 McSherry  
 5,584,462 A 12/1996 Reese  
 5,596,792 A 1/1997 Shelton  
 5,702,218 A 12/1997 Onofrio  
 5,725,302 A 3/1998 Sirkin

5,752,792 A 5/1998 McSherry  
 5,755,545 A 5/1998 Banks  
 5,833,415 A 11/1998 McSherry  
 D404,287 S 1/1999 Hepworth  
 5,876,169 A 3/1999 Wrigley  
 5,878,988 A 3/1999 Rakower  
 D409,082 S 5/1999 Donahue  
 5,944,295 A 8/1999 McSherry  
 D417,385 S 12/1999 Bries et al.  
 6,036,149 A 3/2000 Del Pino et al.  
 D424,816 S \* 5/2000 Snell ..... D6/323  
 6,126,126 A 10/2000 McKiernan, Jr.  
 6,250,865 B1 6/2001 McSherry  
 6,279,862 B1 8/2001 Gershowitz  
 D457,419 S 5/2002 McSherry et al.  
 6,419,436 B1 7/2002 Gaudron  
 6,435,789 B2 8/2002 Gaudron  
 6,457,926 B1 10/2002 Pope  
 D473,451 S \* 4/2003 Goodman et al. .... D8/367  
 D480,292 S \* 10/2003 Johansson et al. .... D8/367  
 D480,625 S \* 10/2003 Snell ..... D8/367  
 D486,057 S 2/2004 Chen  
 D493,699 S \* 8/2004 Goodman et al. .... D8/367  
 D494,452 S 8/2004 Sheldon et al.  
 6,821,069 B2 11/2004 Ikuta  
 6,830,228 B2 12/2004 Ernst  
 6,884,012 B2 4/2005 Panasik  
 D515,911 S 2/2006 McDuff  
 D516,412 S 3/2006 McDuff  
 7,160,074 B2 1/2007 Ernst et al.  
 D554,481 S \* 11/2007 Newbould et al. .... D8/367  
 D554,483 S \* 11/2007 Hager et al. .... D8/367  
 D557,595 S \* 12/2007 Ernst et al. .... D8/373  
 D566,532 S \* 4/2008 Wolff ..... D8/367  
 7,395,998 B2 7/2008 Peterson  
 7,547,171 B2 6/2009 McDuff  
 D596,930 S 7/2009 Gaudron  
 D607,311 S \* 1/2010 Snider ..... D8/367  
 7,694,401 B2 4/2010 Peterson  
 7,713,013 B2 5/2010 Sedgwick et al.  
 D626,403 S \* 11/2010 Portz ..... D8/367  
 D630,088 S \* 1/2011 Kim ..... D8/367  
 D630,089 S \* 1/2011 Kim ..... D8/367  
 D635,843 S 4/2011 McDuff et al.  
 D636,256 S 4/2011 McDuff et al.  
 2001/0046429 A1 11/2001 Gaudron  
 2007/0124910 A1 6/2007 Peterson et al.  
 2007/0235622 A1 10/2007 Baran et al.  
 2008/0253860 A1 10/2008 McDuff et al.

## FOREIGN PATENT DOCUMENTS

CA	2420718	9/2004
CH	491296	5/1970
EP	0713981 A1	5/1996
WO	96/02170	2/1996
WO	96/16273	5/1996
WO	2004079209 A1	9/2004

## OTHER PUBLICATIONS

International Search Report for PCT/CA2006/000419 mailed Jul. 6, 2006.  
 International Search Report for PCT/CA2006/000428 mailed Jul. 13, 2006.  
 International Search Report for PCT/US2003/039974 mailed Jul. 16, 2004.

\* cited by examiner

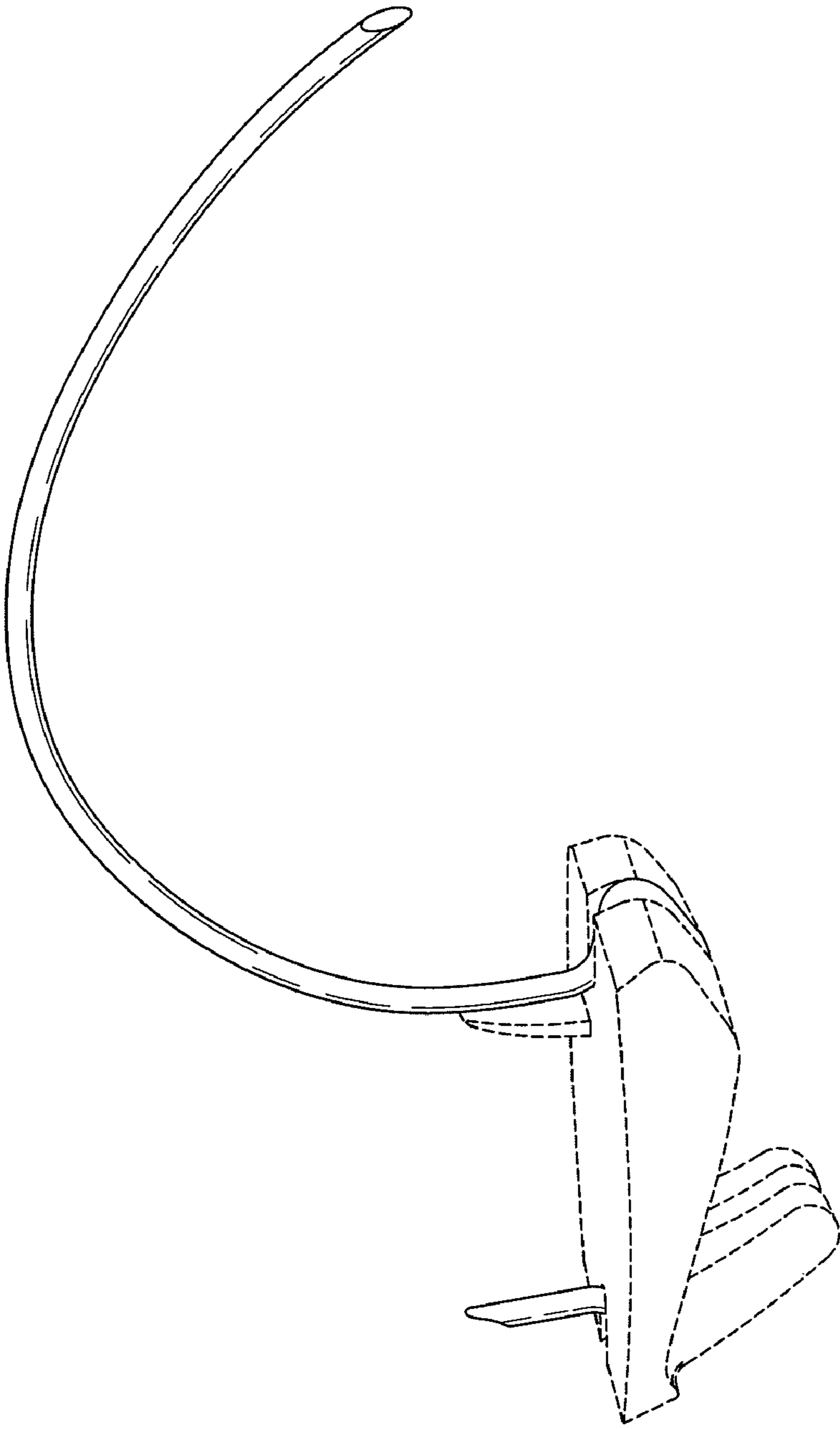


FIG. 1

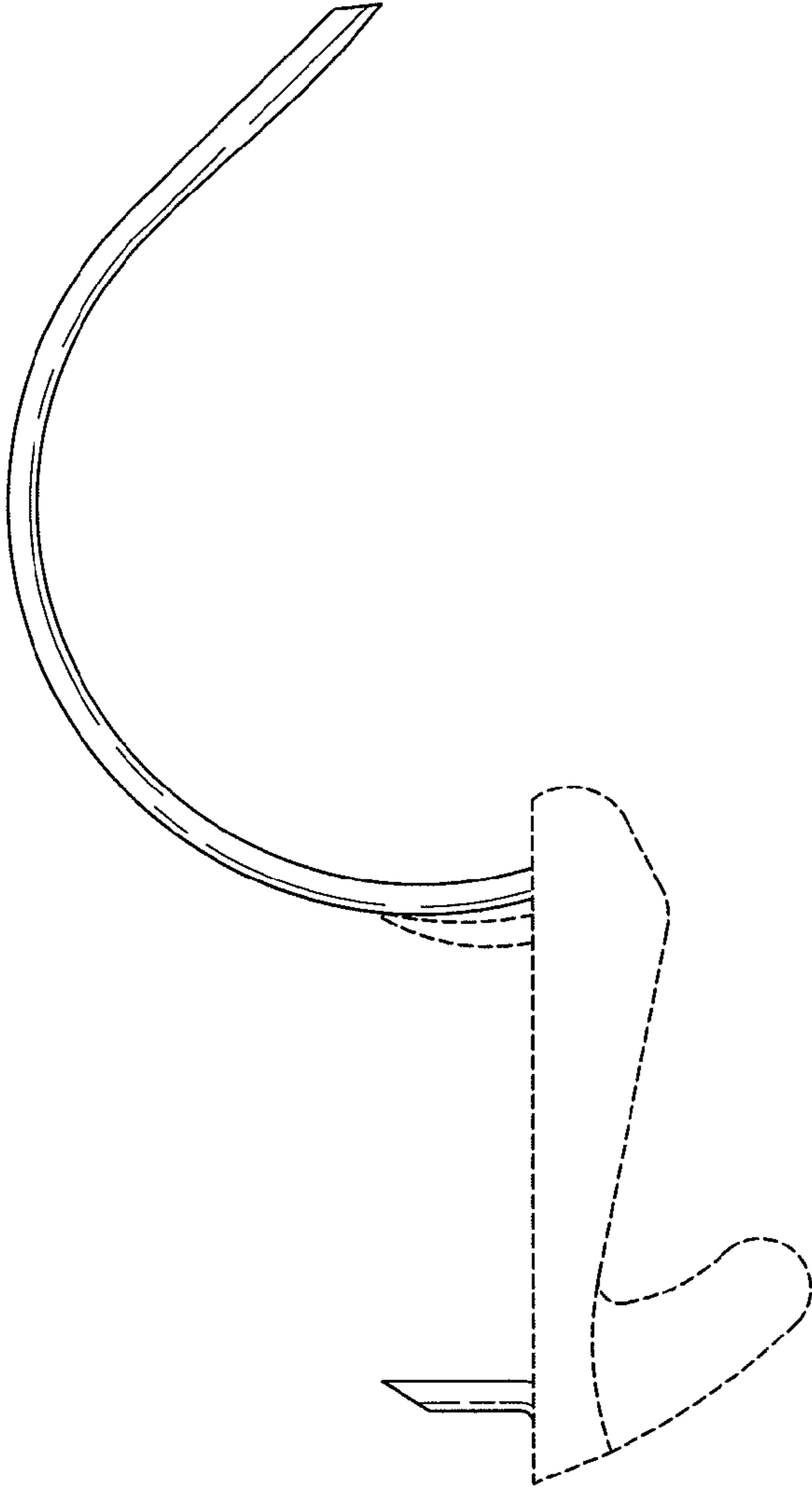


FIG. 2

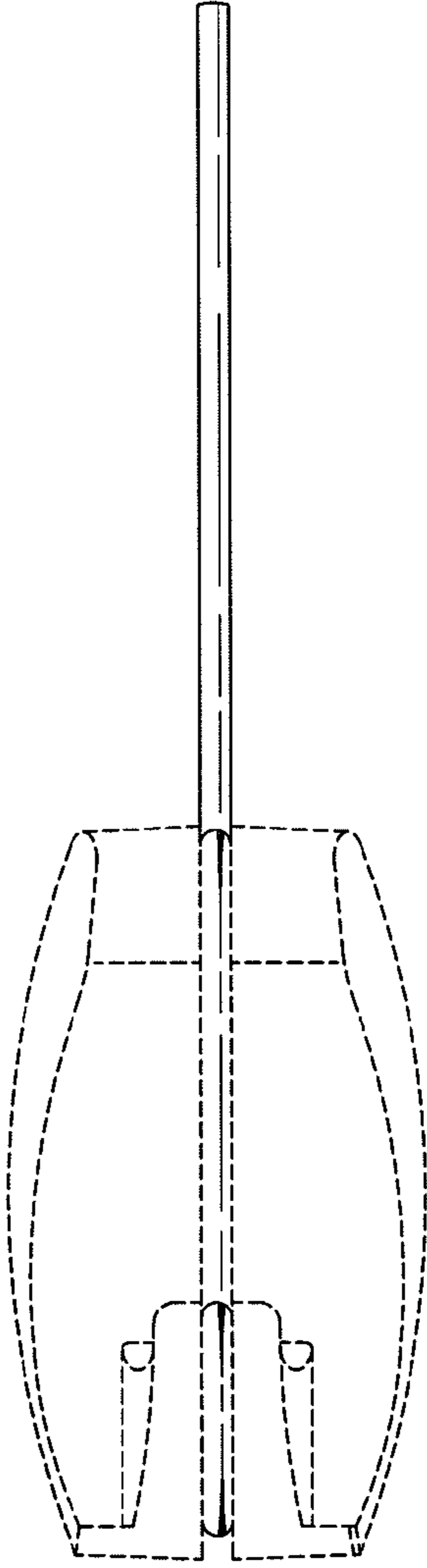


FIG. 3



