



US00D649435S

(12) **United States Design Patent**  
**Bucci**

(10) **Patent No.:** **US D649,435 S**

(45) **Date of Patent:** **\*\* Nov. 29, 2011**

(54) **DEVICE FOR SUPPORTING AN OBJECT**

(76) Inventor: **Michael Bucci**, Glen Allen, VA (US)

(\*\*) Term: **14 Years**

(21) Appl. No.: **29/385,509**

(22) Filed: **Feb. 15, 2011**

**Related U.S. Application Data**

(60) Division of application No. 29/360,742, filed on Apr. 30, 2010, now Pat. No. Des. 635,010, which is a continuation-in-part of application No. 29/355,157, filed on Feb. 3, 2010, now Pat. No. Des. 631,729, which is a continuation of application No. 29/352,511, filed on Dec. 22, 2009, now Pat. No. Des. 613,582, which is a continuation of application No. 29/343,675, filed on Sep. 17, 2009, now Pat. No. Des. 609,077, which is a division of application No. 29/334,086, filed on Mar. 20, 2009, now Pat. No. Des. 603,245, which is a continuation-in-part of application No. 29/326,489, filed on Oct. 20, 2008, now Pat. No. Des. 602,341, and a continuation-in-part of application No. 29/295,012, filed on Sep. 20, 2007, now Pat. No. Des. 581,254, which is a continuation-in-part of application No. 29/283,426, filed on Aug. 14, 2007, now Pat. No. Des. 581,251.

(51) **LOC (9) Cl.** ..... **08-05**

(52) **U.S. Cl.** ..... **D8/354; D21/505**

(58) **Field of Classification Search** ..... D8/349, D8/354, 380, 382, 388, 400, 402, 499; D9/414, D9/431, 432; D10/109, 113; D21/505, 803, D21/369, 373, 386, 388, 396; D20/10, 39-43; D1/105; 116/28 R, 63 R, 63 P, 63 T, 63 C, 116/209; 40/584, 606, 607, 608, 311, 312; 273/113, 153 P, 153 R, 153 S, 155, 157 R, 273/260; 446/69, 70, 121, 122, 124, 125, 446/126; 248/346.01, 546, 694, 126, 176.1; 434/99, 102, 211, 403; 404/4-16; 405/21, 405/29; D30/101, 106

See application file for complete search history.

(56) **References Cited**

**U.S. PATENT DOCUMENTS**

700,049	A *	5/1902	Hover .....	229/116
1,053,873	A *	2/1913	Reenstierna .....	422/126
1,216,840	A	2/1917	Ramsey et al.	
1,522,306	A	1/1925	Lewis	
1,743,834	A *	1/1930	Stimson .....	359/529
1,858,410	A	5/1932	Morey	
2,211,110	A *	8/1940	Freiler .....	206/476
2,483,734	A	10/1944	Neal	
2,549,189	A *	4/1951	Gabo .....	446/124
2,800,099	A	7/1957	Baker	
2,808,803	A	10/1957	Weig	
2,646,971	A	7/1958	Gardellin	
3,173,218	A	3/1965	McAlister	

(Continued)

*Primary Examiner* — Cynthia M Chin

(74) *Attorney, Agent, or Firm* — Brian J. Teague

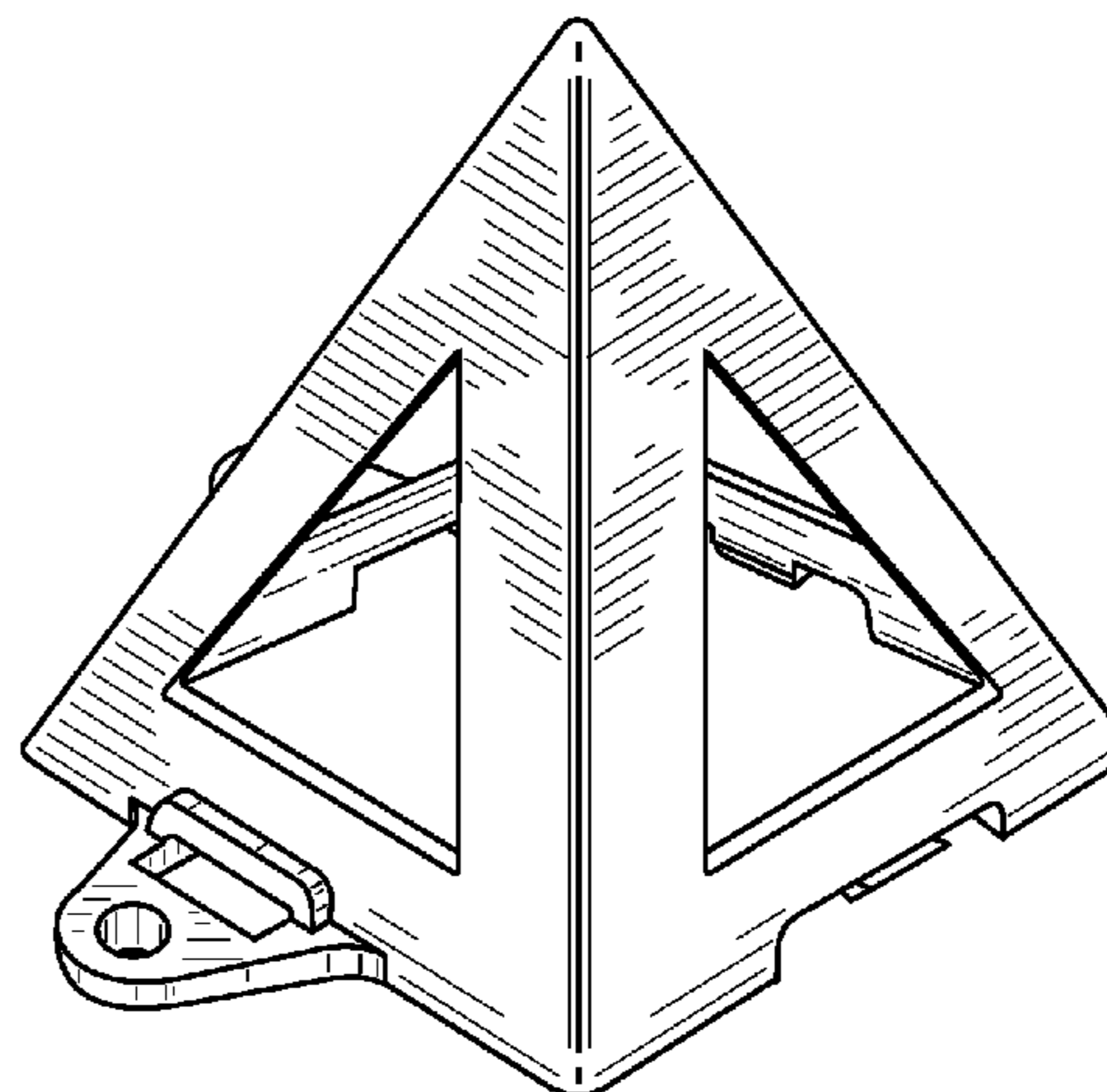
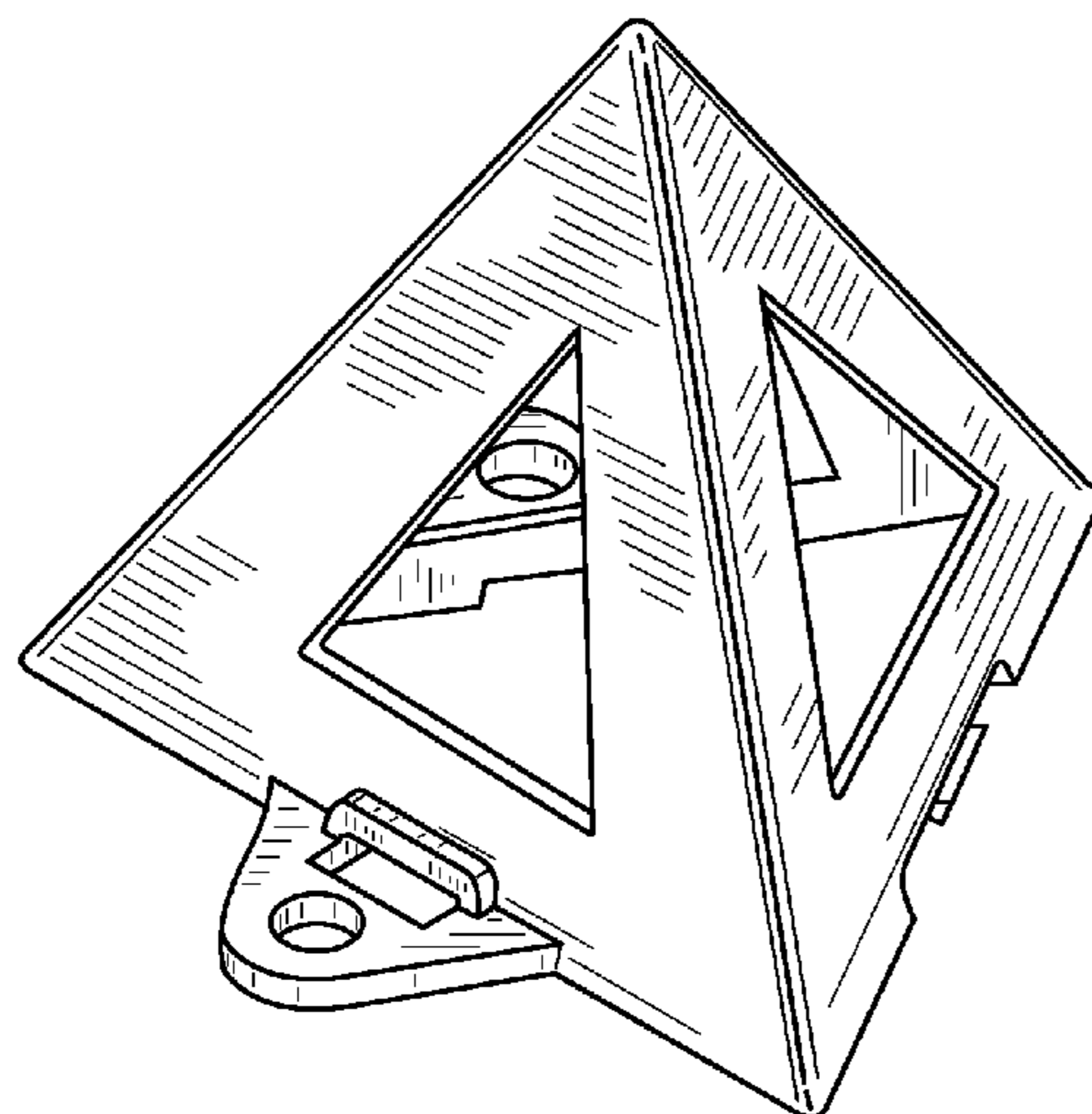
(57) **CLAIM**

I claim the ornamental design for a device for supporting an object, as shown and described.

**DESCRIPTION**

FIG. 1 is a perspective view of one embodiment of a device for supporting an object showing the new design; FIG. 2 is a front elevational view thereof; FIG. 3 is a rear elevational view thereof; FIG. 4 is a top view thereof; FIG. 5 is a bottom view thereof; FIG. 6 is a perspective view of an alternative embodiment of a device for supporting an object; FIG. 7 is a front elevational view thereof; FIG. 8 is a rear elevational view thereof; FIG. 9 is a left side elevational view thereof; FIG. 10 is a right side elevational view thereof; FIG. 11 is a top view thereof; and, FIG. 12 is a bottom view thereof.

**1 Claim, 7 Drawing Sheets**



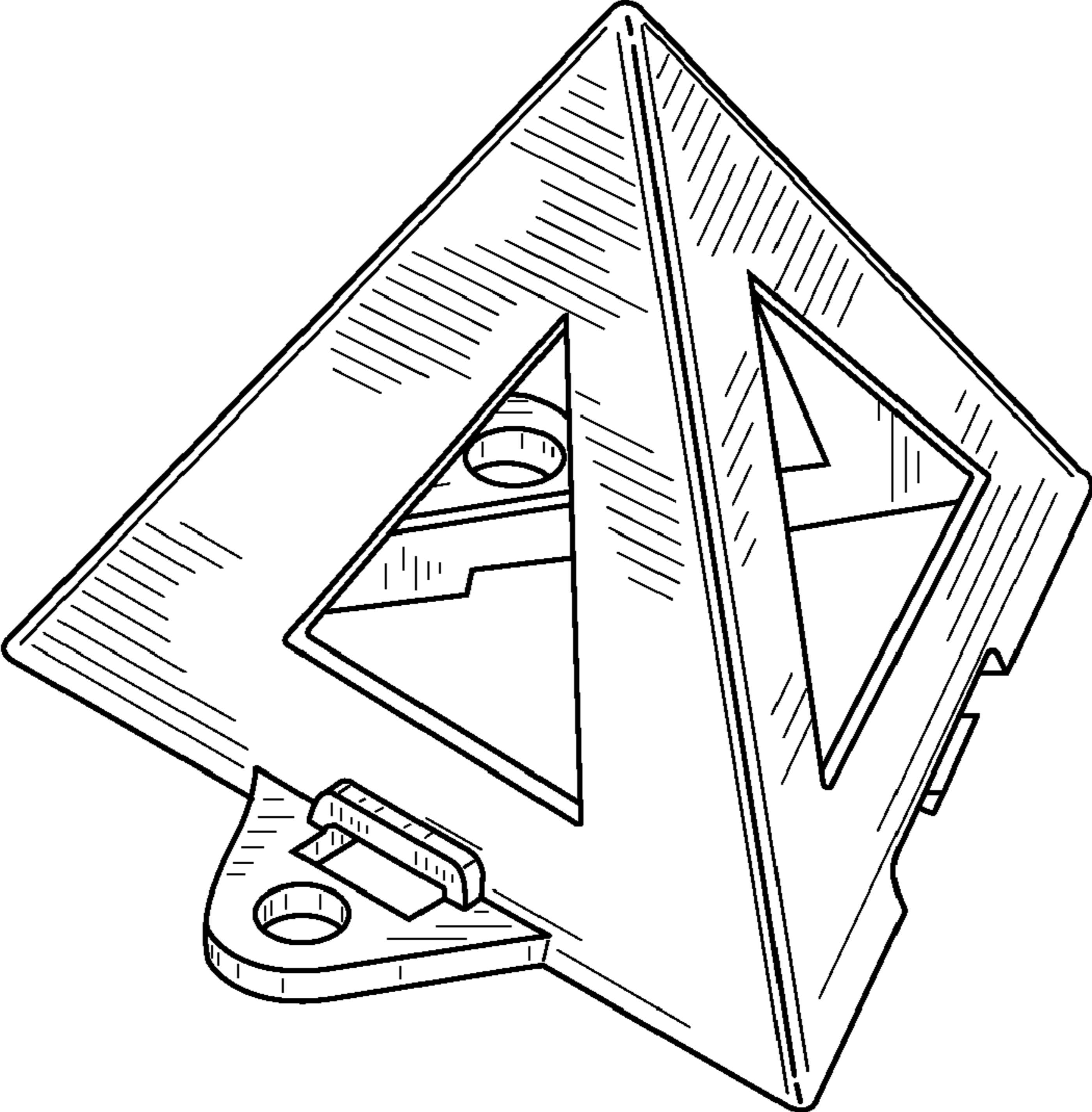
# US D649,435 S

Page 2

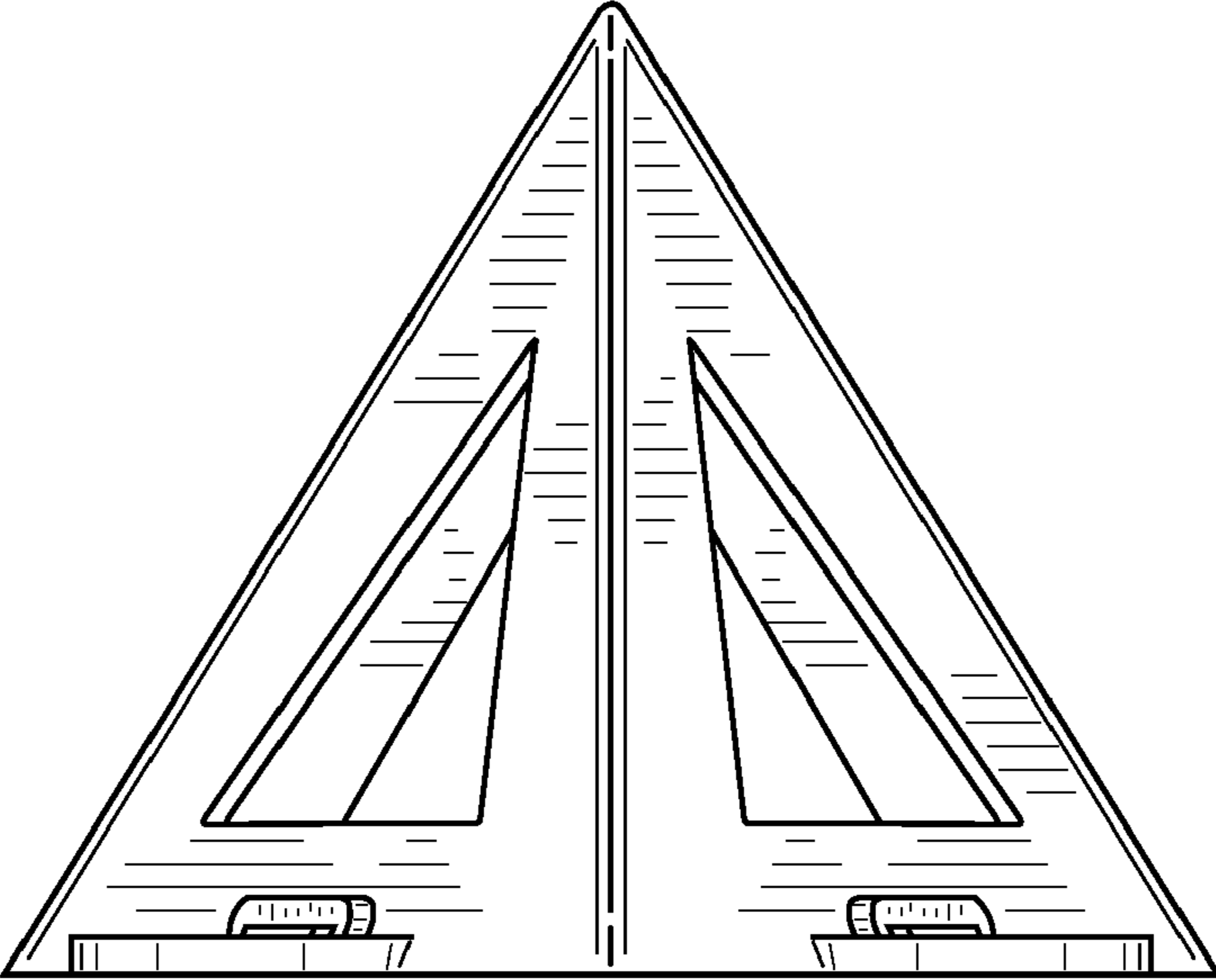
## U.S. PATENT DOCUMENTS

D206,635 S	1/1967	Walter		5,407,201 A	4/1995	Whitehurst
3,565,442 A	2/1971	Klein		D359,587 S *	6/1995	Ross ..... D30/101
3,606,906 A	9/1971	Odler		D367,119 S	2/1996	Trunk
3,659,360 A	5/1972	Zeischegg		D367,384 S	2/1996	DiFranco et al.
3,666,607 A	5/1972	Weissman		D373,528 S	9/1996	Ser Tuen Wei
3,779,554 A	12/1973	Brix		5,601,645 A	2/1997	Nonomura et al.
3,782,029 A	1/1974	Bardot		5,615,429 A	4/1997	Williams
3,800,735 A	4/1974	Simpson		D380,538 S *	7/1997	Muller et al. .... D23/367
D231,787 S	6/1974	Burnley		D383,864 S *	9/1997	Billings ..... D26/51
3,840,234 A	10/1974	Felsten		D389,550 S	1/1998	Williams
D234,307 S	2/1975	Bowley		5,769,598 A	6/1998	MacNeil
D234,308 S	2/1975	Bowley		5,788,933 A	8/1998	Peddicord
3,940,100 A	2/1976	Haug		D400,614 S	11/1998	Sheng
3,974,611 A	8/1976	Satterwaite		D403,981 S *	1/1999	Dillard ..... D11/131
D242,640 S	12/1976	Mosher		5,895,304 A	4/1999	Dixon
4,026,087 A	5/1977	White		D409,687 S	5/1999	Mak
D245,279 S	8/1977	Hollendonner		5,945,161 A	8/1999	Hashimoto et al.
4,063,725 A	12/1977	Snyder		5,947,786 A	9/1999	Glick
D249,240 S *	9/1978	Klitzner ..... D9/414		D417,314 S	11/1999	Smith, Jr.
D250,174 S	11/1978	Hedgecock		D417,329 S	11/1999	Ramadei
D250,687 S	1/1979	Robelen		D423,342 S	4/2000	Popesco
4,159,112 A	6/1979	O'Brian et al.		6,224,453 B1	5/2001	McKinley et al.
D261,373 S	10/1981	Fisher		D443,900 S	6/2001	Eklund
D262,901 S	2/1982	Vukadinovic		6,247,424 B1	6/2001	Huang
D263,255 S	3/1982	Zima		D444,728 S *	7/2001	Dohrmann ..... D10/106.6
4,317,654 A	3/1982	Wahl		D445,721 S	7/2001	McLeish et al.
4,323,245 A	4/1982	Beaman		D447,973 S *	9/2001	Dohrmann ..... D10/106.6
4,345,761 A	8/1982	China		6,425,646 B1	7/2002	Andrews
4,354,288 A	10/1982	Dennis		D478,194 S	8/2003	McGinty
D267,588 S	1/1983	Goodell		D482,111 S	11/2003	Laferriere et al.
D268,315 S	3/1983	Kirk		D483,200 S	12/2003	Udommahuntisuk
D272,841 S	2/1984	Matsumoto		D493,198 S	7/2004	Starkel
D273,095 S	3/1984	Schulze		D504,315 S *	4/2005	Lee ..... D9/635
4,461,480 A	7/1984	Mitchell		6,921,314 B2 *	7/2005	Miller ..... 446/85
D275,889 S	10/1984	Nelson		6,931,812 B1 *	8/2005	Lipscomb ..... 52/653.1
D276,773 S *	12/1984	Rodriguez ..... D6/490		6,976,768 B2	12/2005	Hewson
4,558,866 A	12/1985	Alford		D514,463 S	2/2006	Levine
4,761,137 A	8/1988	Taylor et al.		D514,971 S	2/2006	Burch et al.
4,848,263 A	7/1989	Grimm		D515,683 S	2/2006	LaBlaine
D305,343 S	1/1990	Epperson et al.		7,047,681 B2	5/2006	Perelli et al.
4,934,701 A	6/1990	Ting		D522,348 S	6/2006	Hansen
D314,018 S	1/1991	Rosenthal		D529,377 S	10/2006	Heiss
D315,186 S	3/1991	Peterson		D551,116 S	9/2007	Devory, Jr.
D315,773 S	3/1991	Peterson		D562,915 S	2/2008	Davis
5,080,526 A *	1/1992	Waters ..... 405/29		D569,076 S	5/2008	Lebrand
D325,168 S	4/1992	Dlabac		D574,293 S	8/2008	Devory, Jr.
D325,615 S	4/1992	Matsch		D574,440 S	8/2008	Goodrich
5,184,822 A	2/1993	Bognar et al.		D578,379 S	10/2008	Sorkin
5,199,375 A	4/1993	Johson		D579,369 S	10/2008	Spataro
5,259,695 A	11/1993	Mostkoff		D597,432 S	8/2009	Auberger
5,297,012 A	3/1994	Fletcher		D618,738 S	6/2010	Bodin et al.
D349,117 S *	7/1994	Rasansky et al. .... D14/218		D630,265 S	1/2011	Bodin et al.
D351,623 S	10/1994	Seiler		2004/0159280 A1	8/2004	Mohelsky et al.
5,354,224 A	10/1994	Ishiyama		2005/0014112 A1	1/2005	Fentress
5,375,845 A	12/1994	Cooter et al.		2006/0157544 A1	7/2006	Chomic, Jr. et al.
5,400,998 A	3/1995	Ma		2009/0241855 A1	10/2009	Stocki

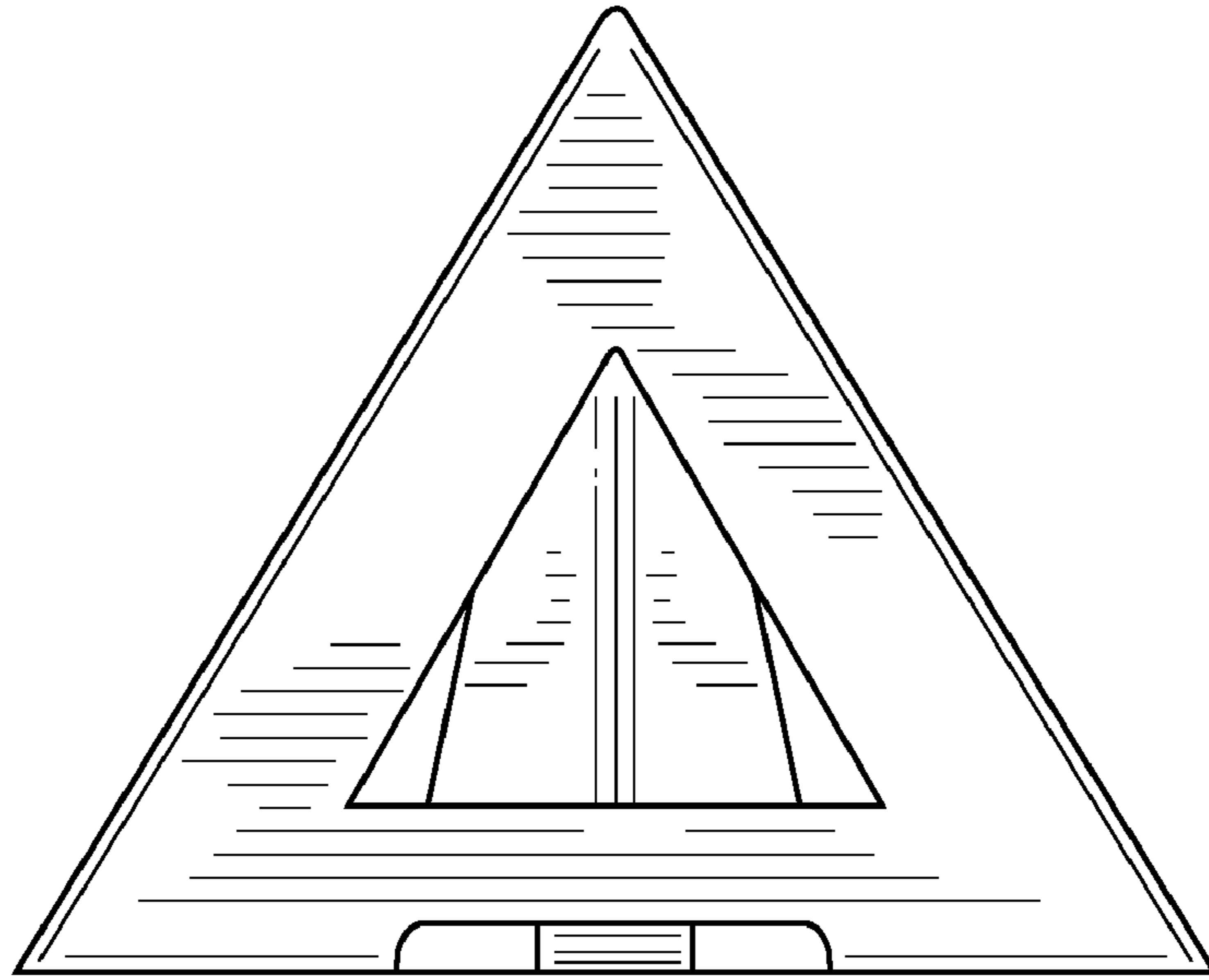
\* cited by examiner



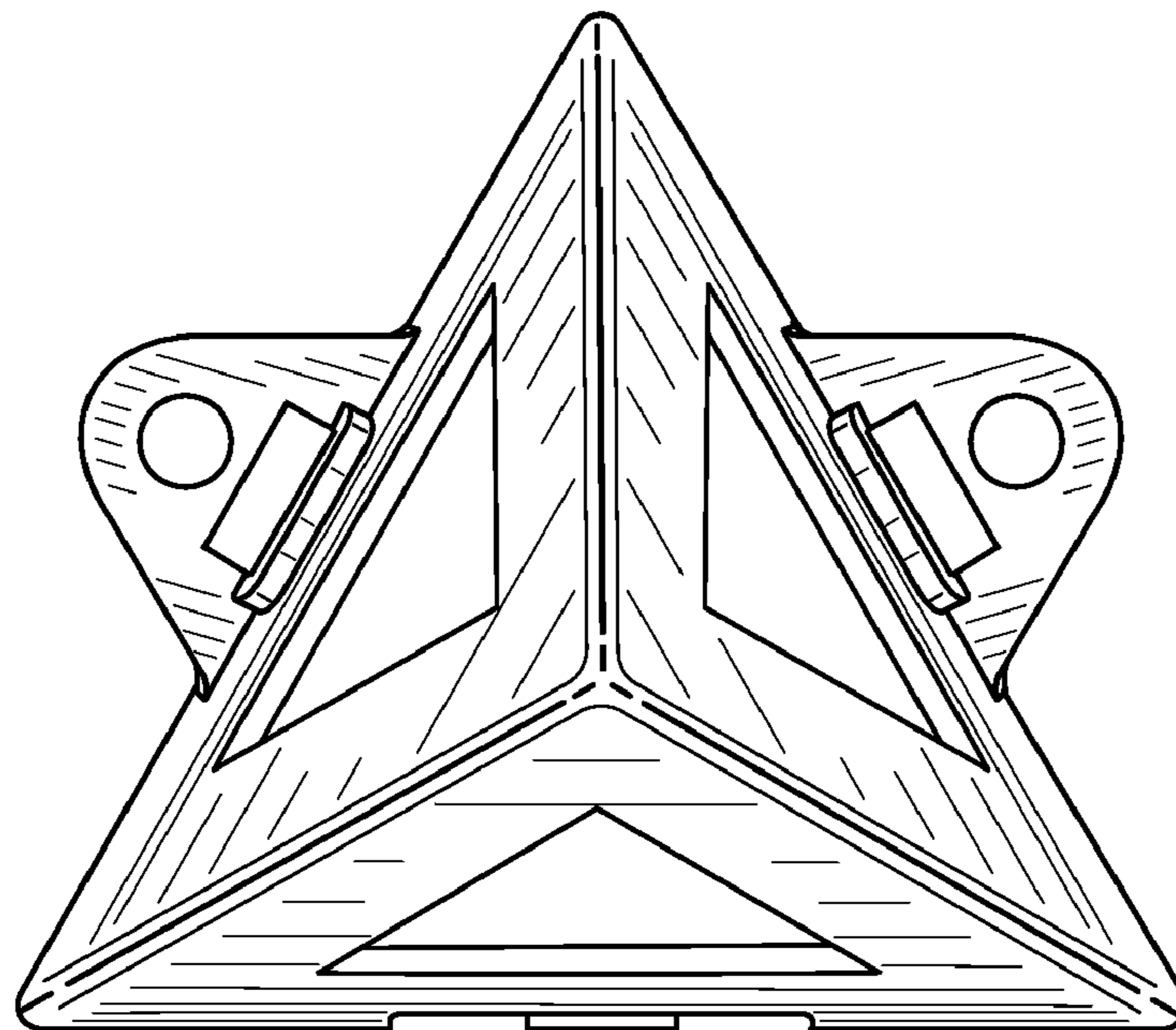
**FIG. 1**



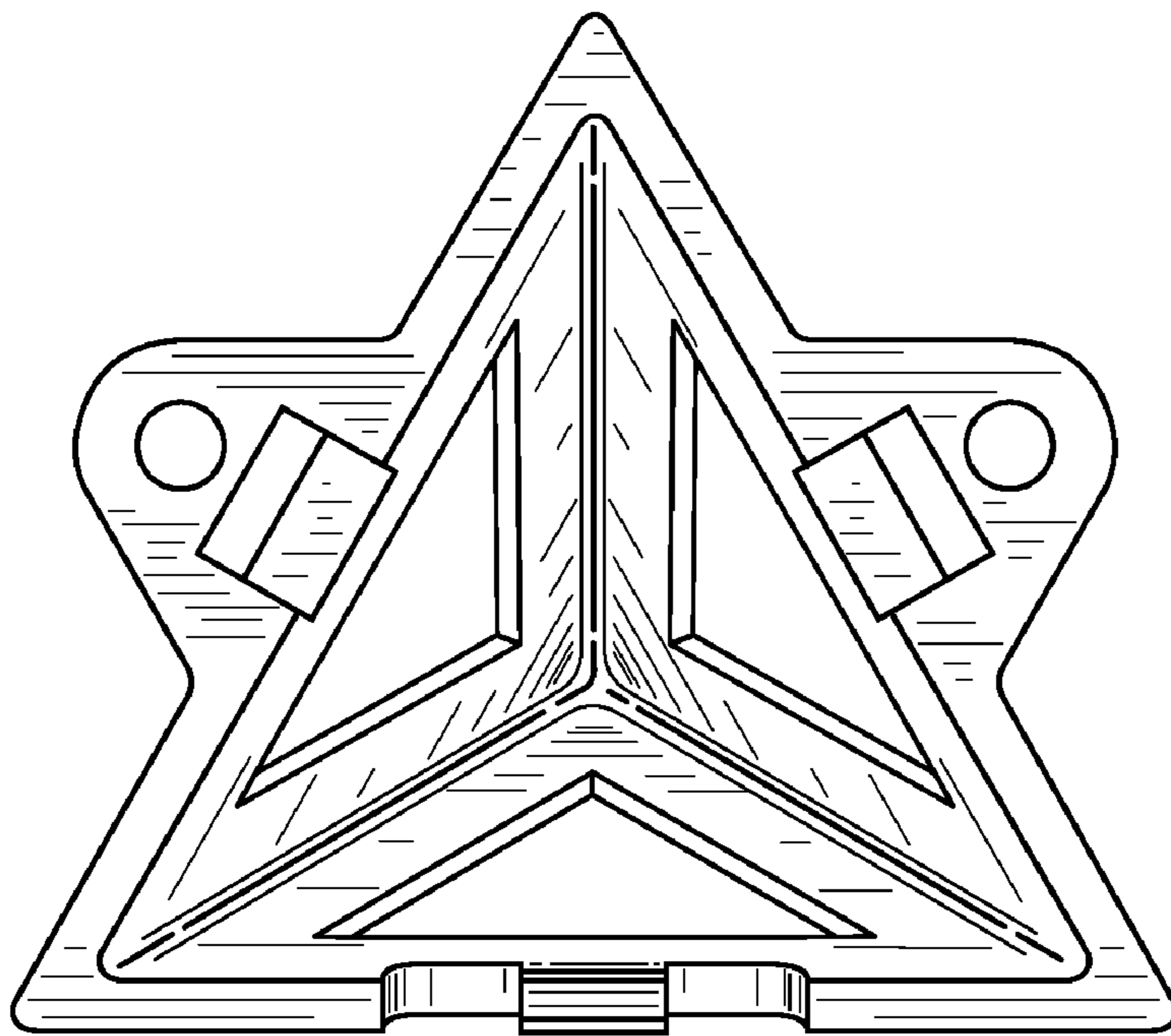
**FIG. 2**



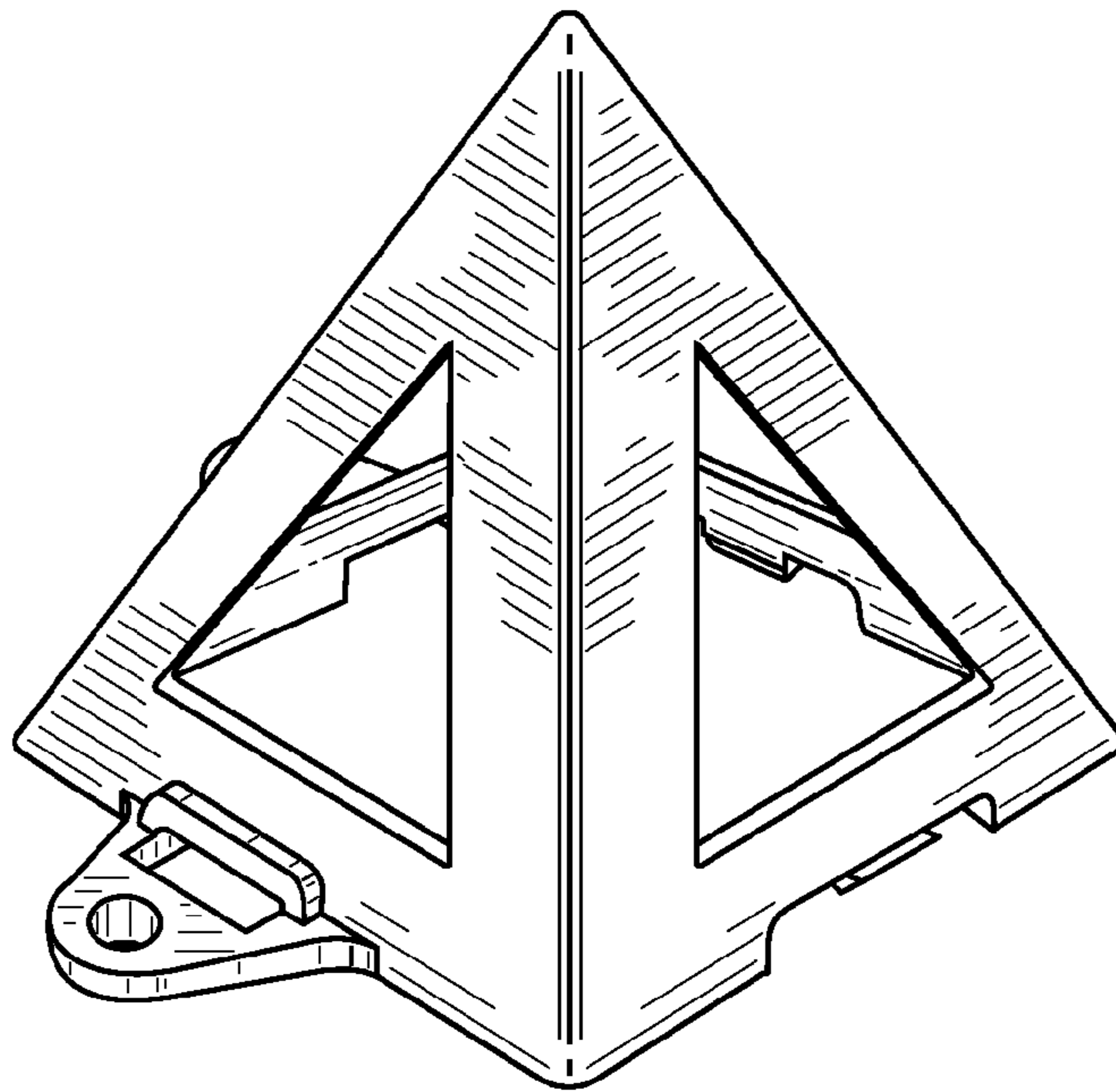
**FIG. 3**



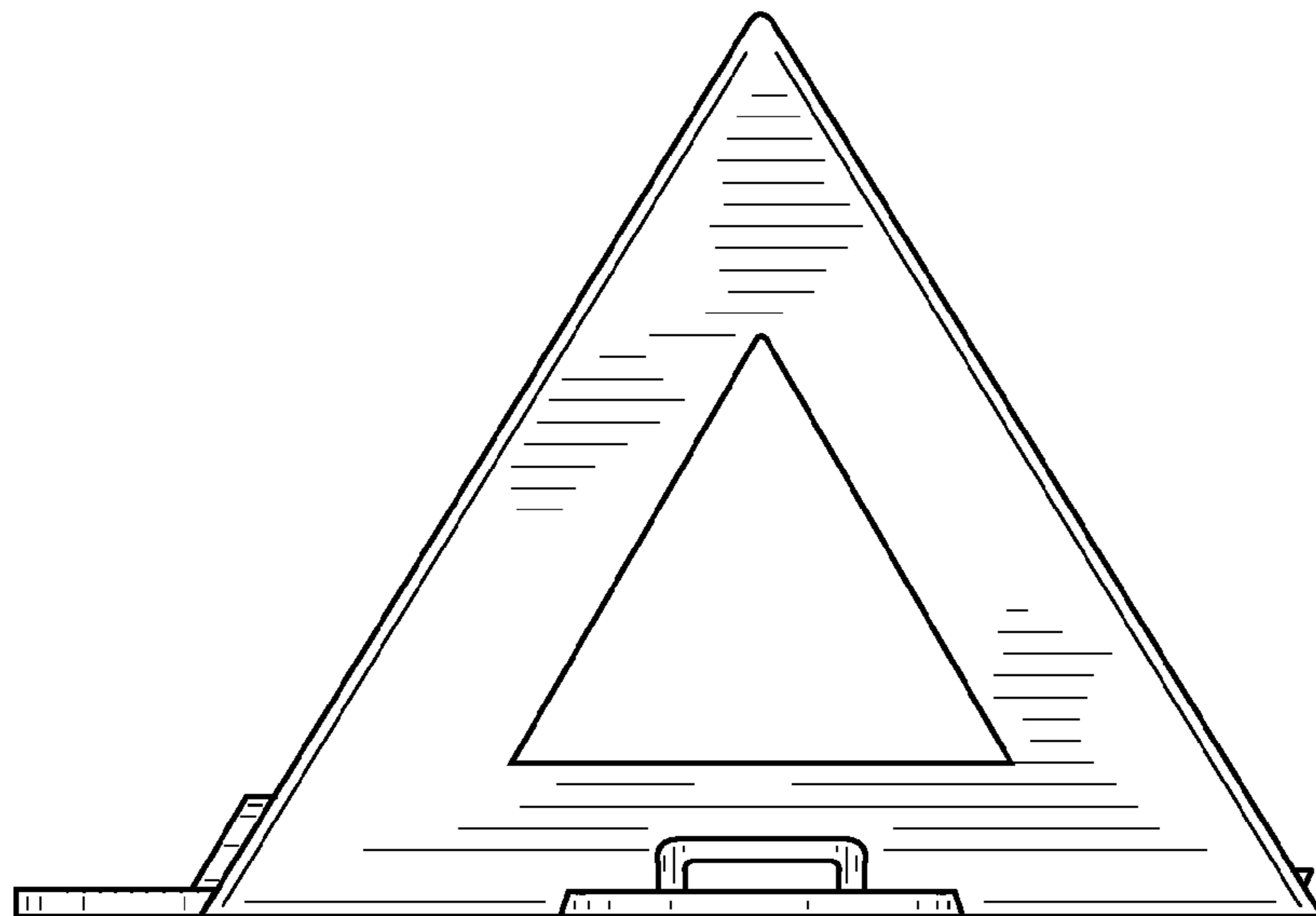
**FIG. 4**



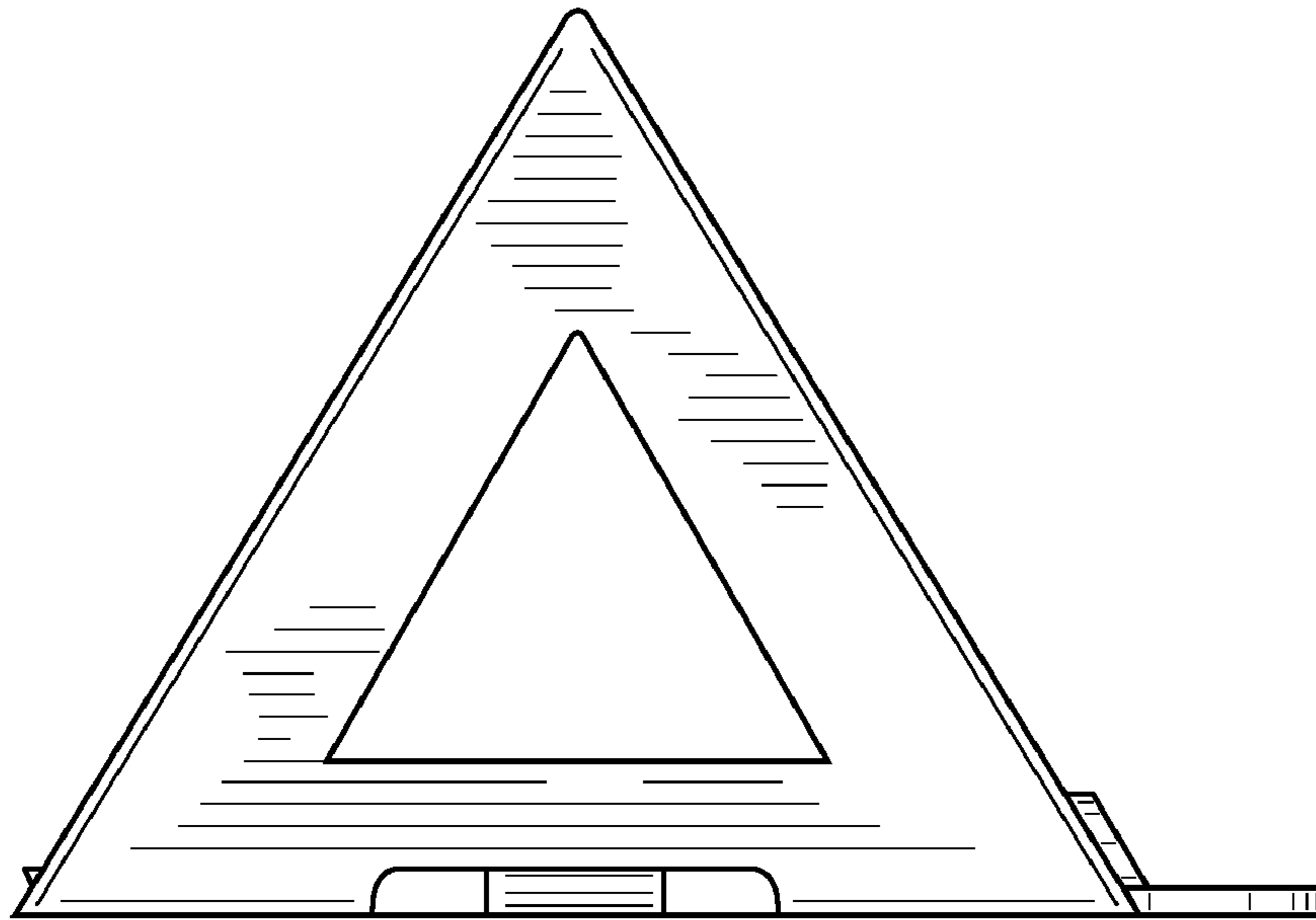
**FIG. 5**



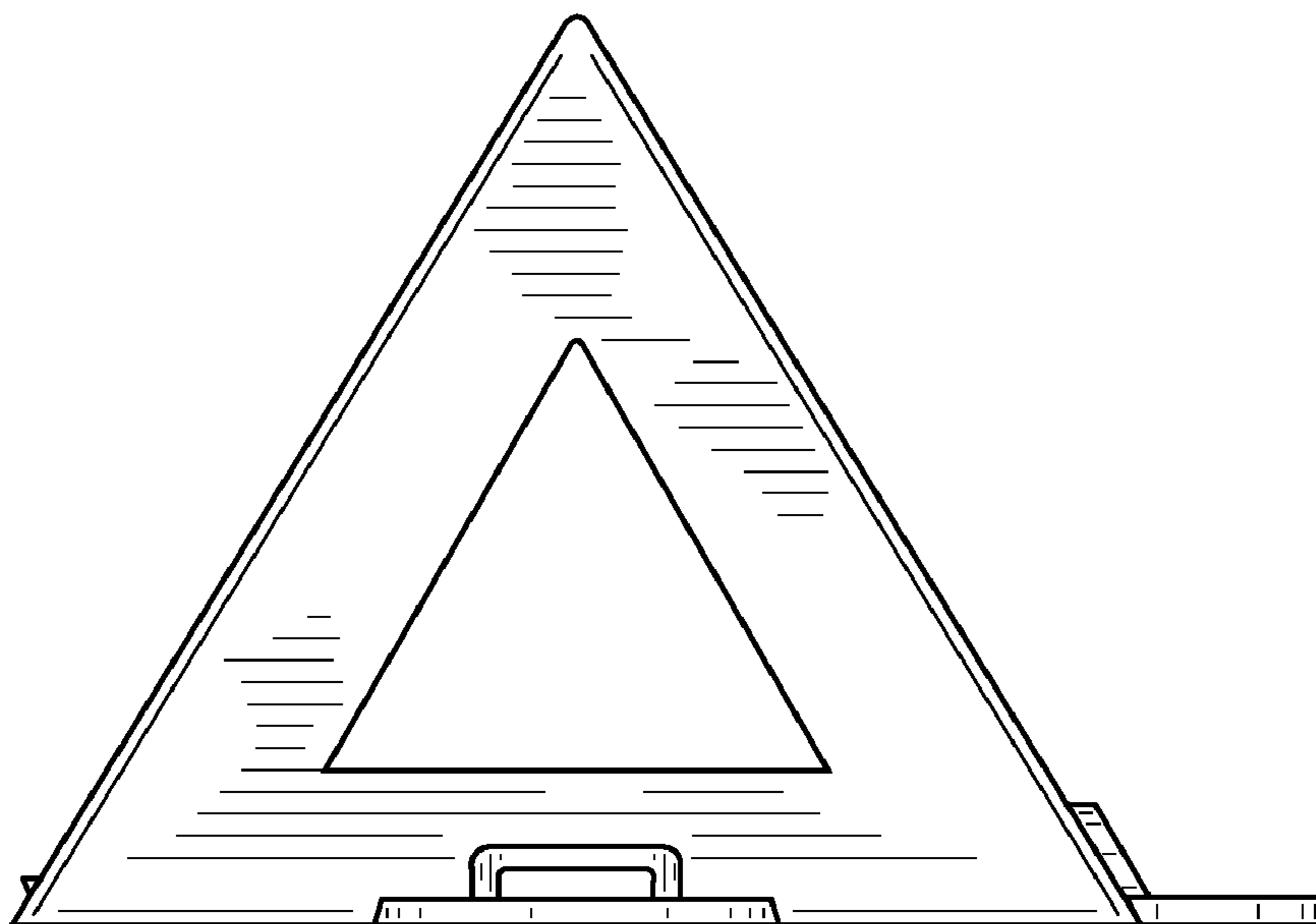
**FIG. 6**



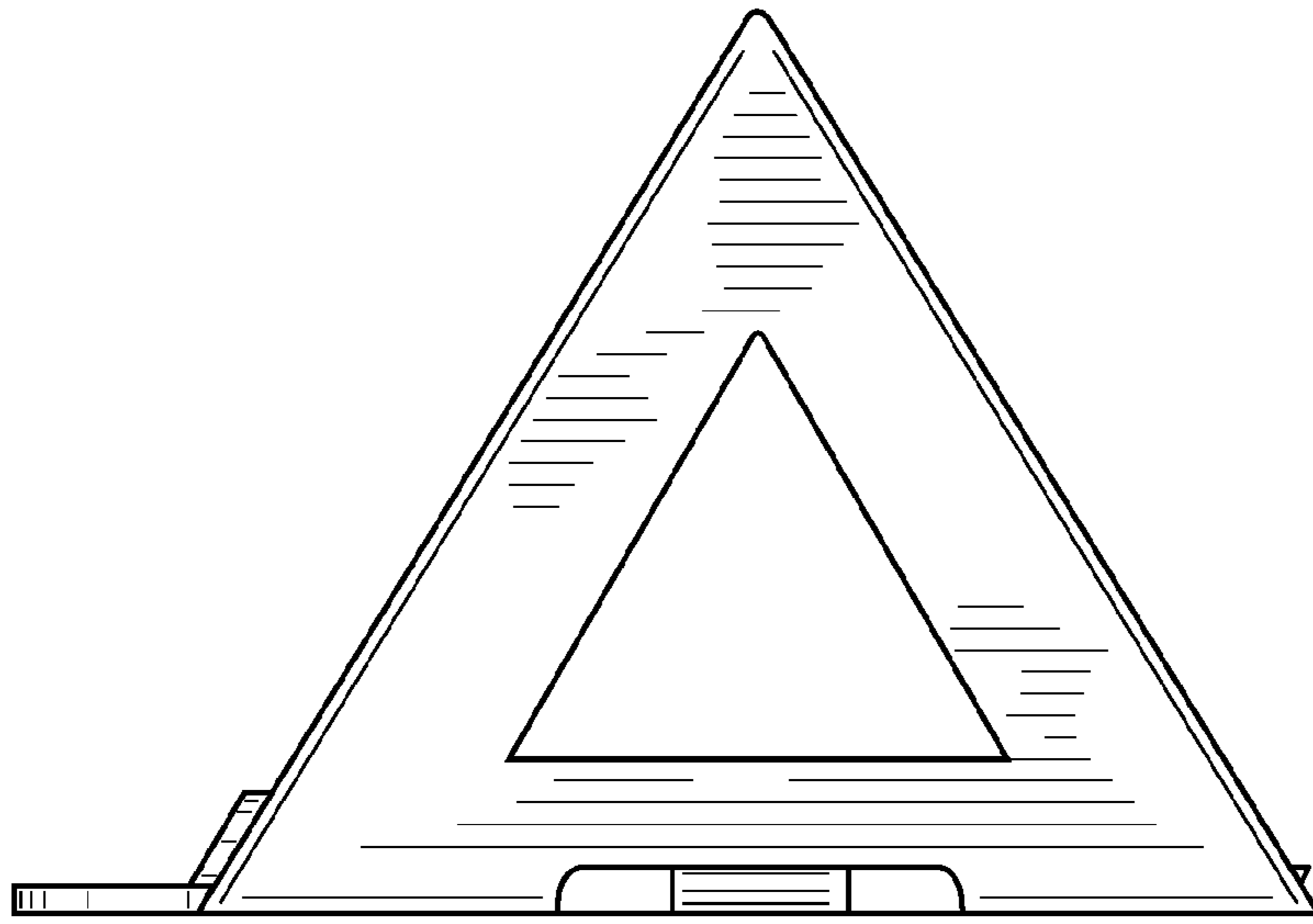
**FIG. 7**



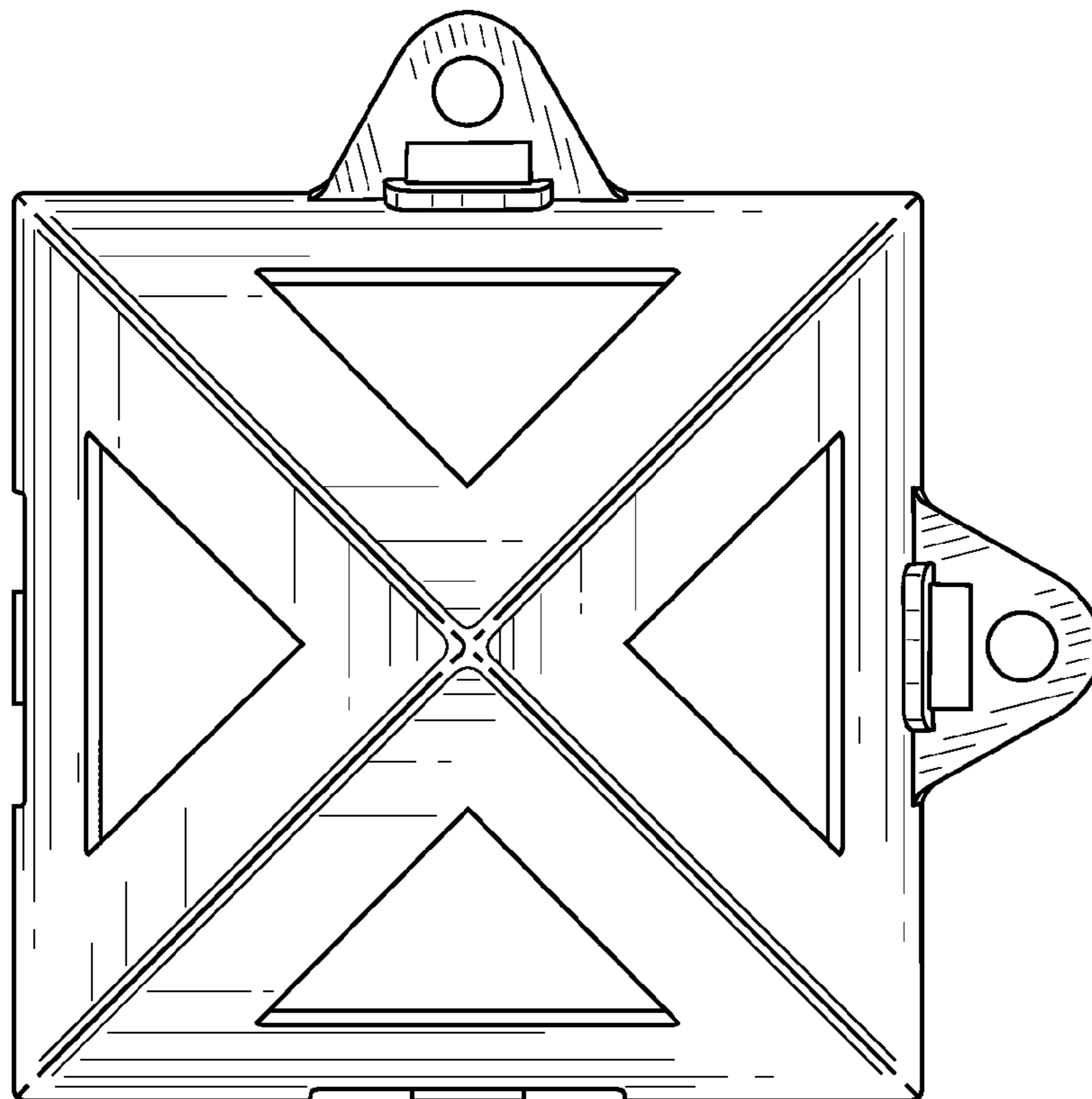
**FIG. 8**



**FIG. 9**

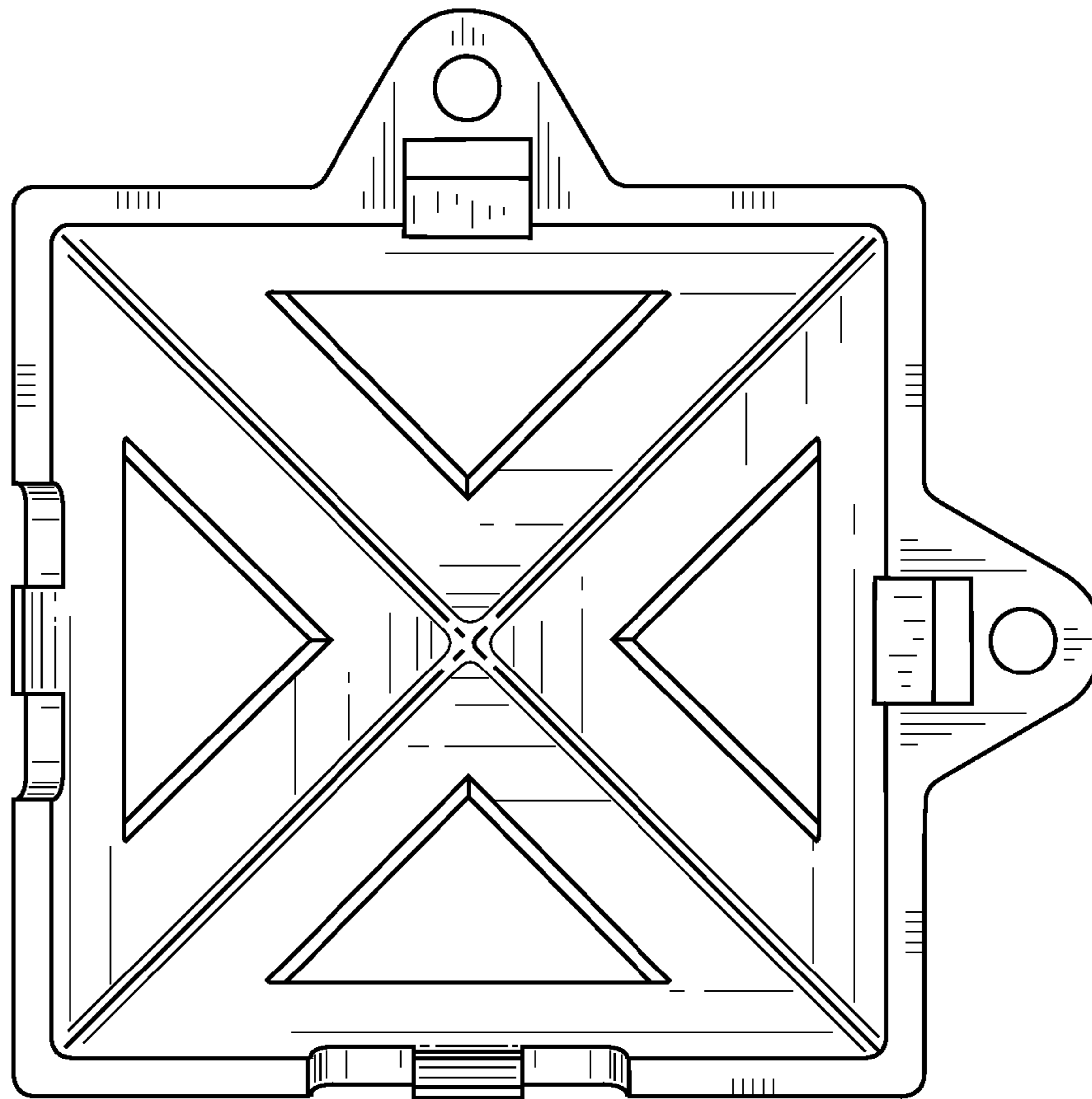


**FIG. 10**



**FIG. 11**





**FIG. 12**