



US00D649429S

(12) **United States Design Patent**
Granberry

(10) **Patent No.:** **US D649,429 S**

(45) **Date of Patent:** **** Nov. 29, 2011**

(54) **HINGE WITH INTEGRAL LOCK**

(76) Inventor: **Robert J. Granberry**, Houston, TX
(US)

(**) Term: **14 Years**

(21) Appl. No.: **29/389,922**

(22) Filed: **Apr. 18, 2011**

(51) **LOC (9) Cl.** **08-06**

(52) **U.S. Cl.** **D8/323**

(58) **Field of Classification Search** D8/323,
D8/327, 328, 329, 330, 336, 353; D23/303;
4/236, 240; 16/225, 250, 682, 309, 235,
16/275, 244, 379, 390, 430, 241, 238, 245,
16/236, 243, 242, 385

See application file for complete search history.

(56) **References Cited**

U.S. PATENT DOCUMENTS

1,620,701	A *	3/1927	Teich	16/339
2,488,688	A *	11/1949	Simmons	16/353
5,173,993	A *	12/1992	Baker	16/329
D376,971	S *	12/1996	Schutz	D8/327
5,765,263	A *	6/1998	Bolinas et al.	16/342
6,212,734	B1 *	4/2001	Commons	16/244
7,162,774	B1 *	1/2007	Von Resch et al.	16/236
7,328,480	B2 *	2/2008	Schoemann	16/225
D584,130	S *	1/2009	Bertani	D8/328

D622,576	S *	8/2010	Farkas et al.	D8/328
7,861,374	B2 *	1/2011	Verdicchio	16/225
D636,251	S *	4/2011	Herglotz et al.	D8/328

* cited by examiner

Primary Examiner — Cynthia Underwood

(74) *Attorney, Agent, or Firm* — Browning Bushman P.C.

(57) **CLAIM**

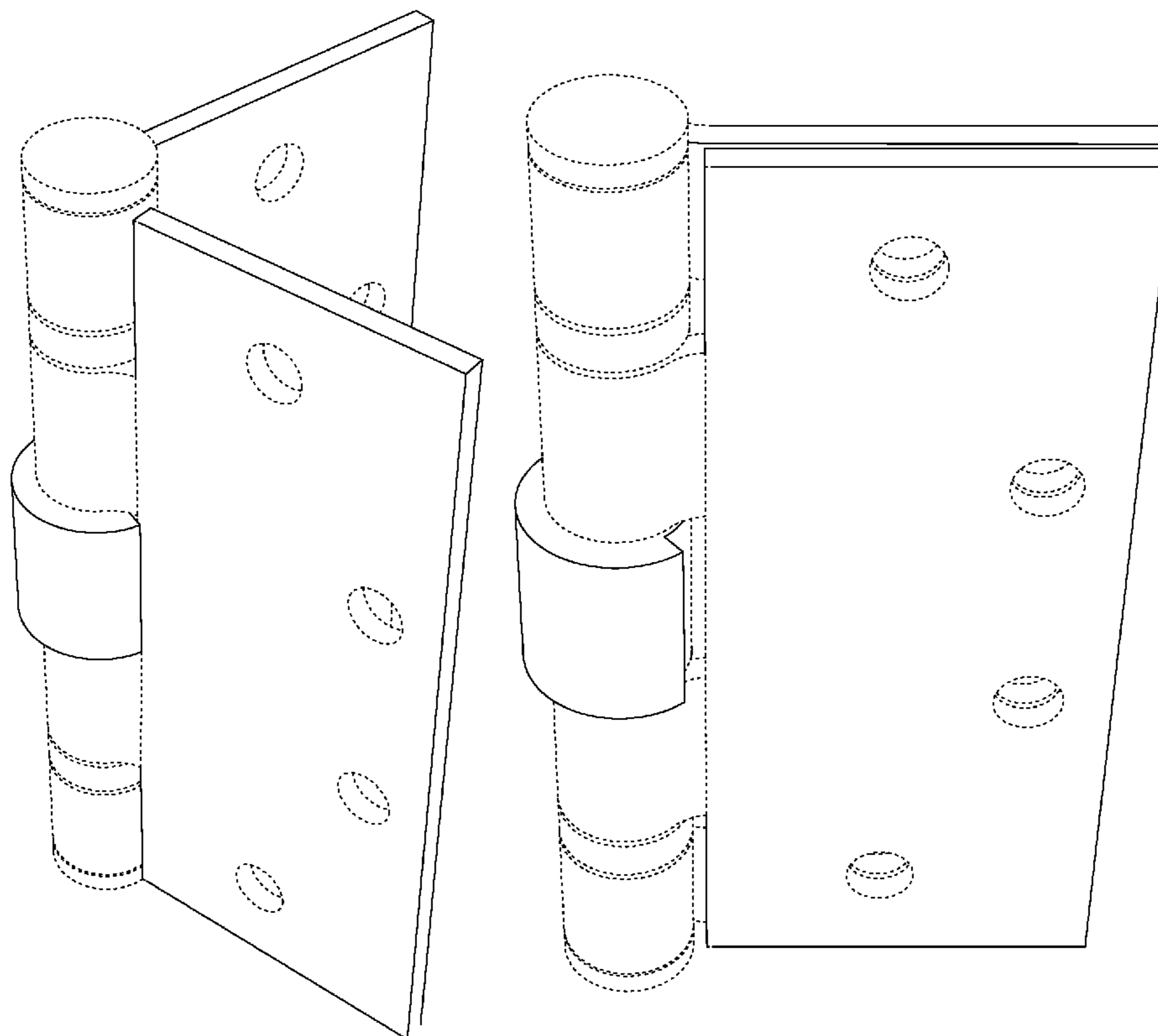
The ornamental design for a hinge with integral lock, as shown and described.

DESCRIPTION

FIG. 1 is a perspective view of the hinge with integral lock shown in an open position;
 FIG. 2 is a top view thereof;
 FIG. 3 is a bottom view thereof;
 FIG. 4 is a front view thereof;
 FIG. 5 is a right side view thereof;
 FIG. 6 is a back view thereof;
 FIG. 7 is a left side view thereof;
 FIG. 8 is a perspective view of the hinge of FIG. 1 shown in a closed position.
 FIG. 9 is a top view thereof;
 FIG. 10 is a bottom view thereof;
 FIG. 11 is a front view thereof;
 FIG. 12 is a right side view thereof;
 FIG. 13 is a back view thereof; and,
 FIG. 14 is a left side view thereof.

The broken lines represent portions of the structure that form no part of the claim.

1 Claim, 8 Drawing Sheets



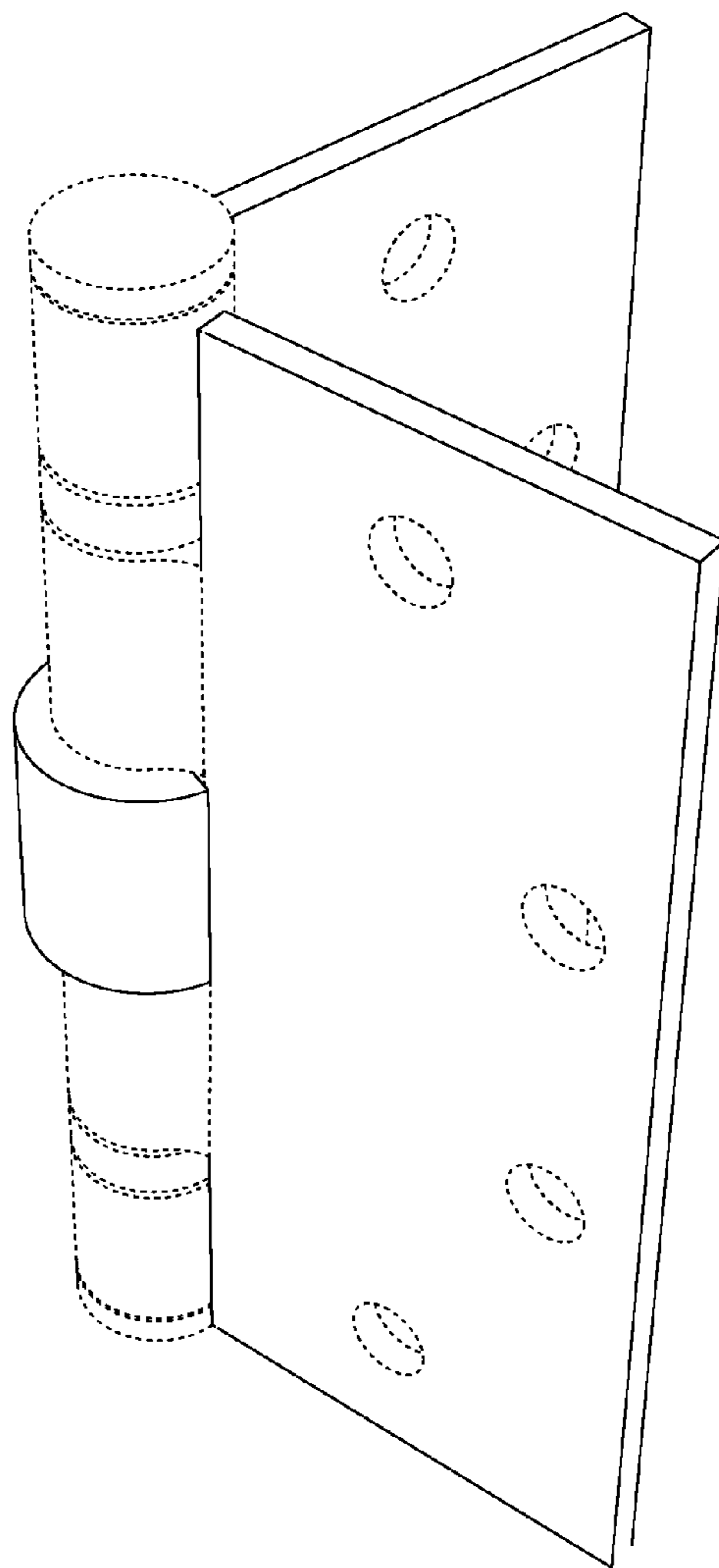


FIG. 1

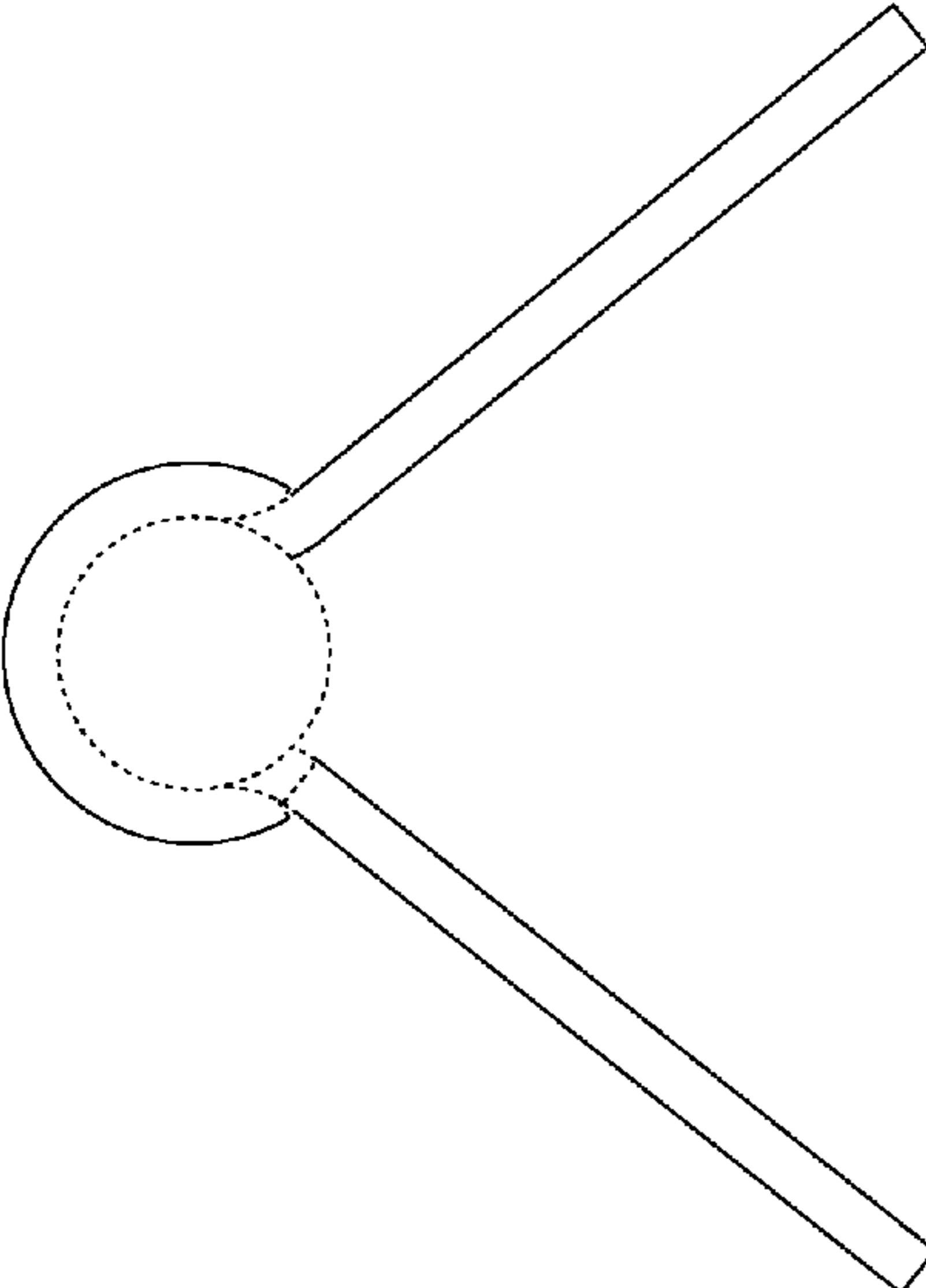


FIG. 2

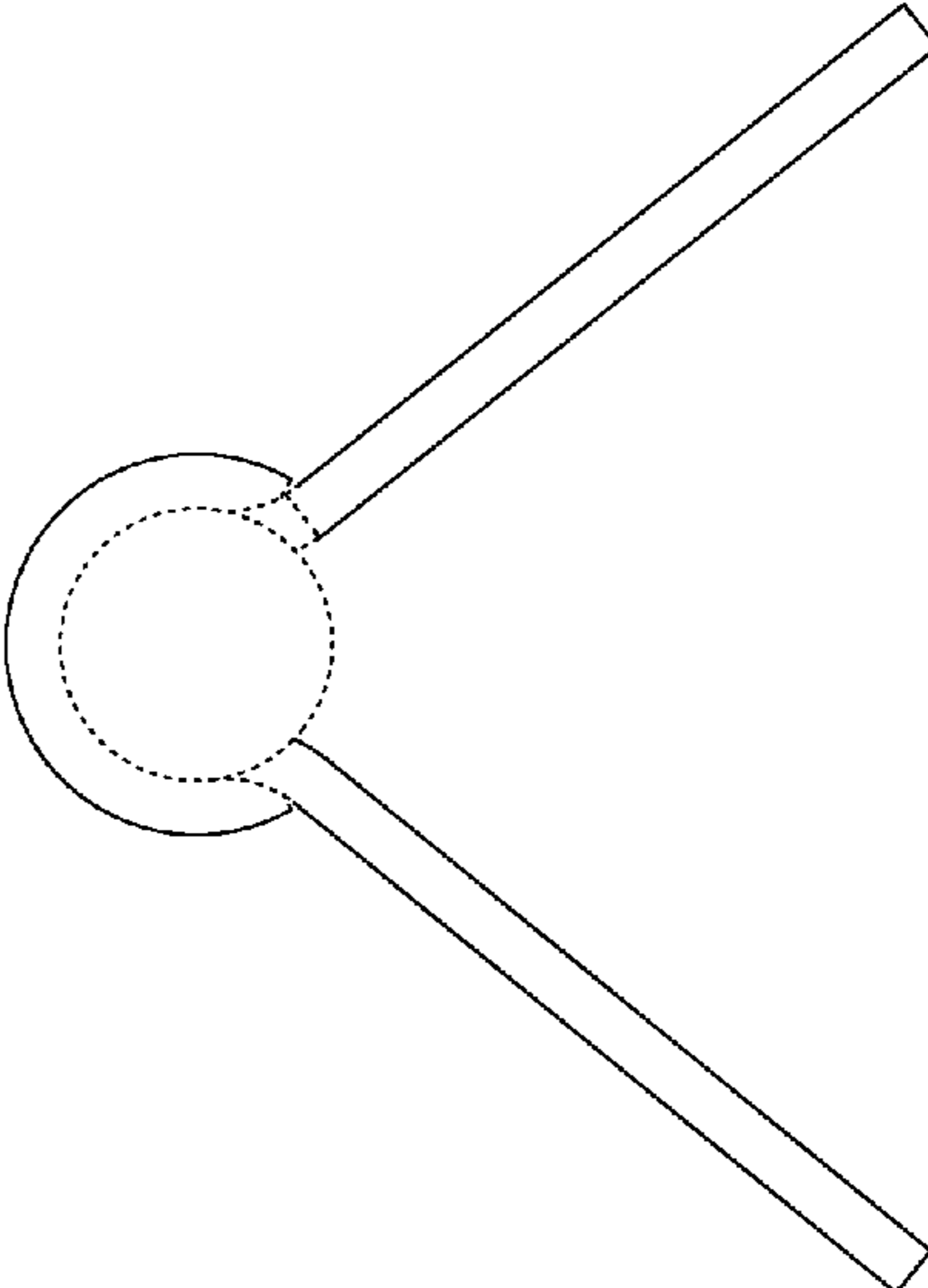


FIG. 3

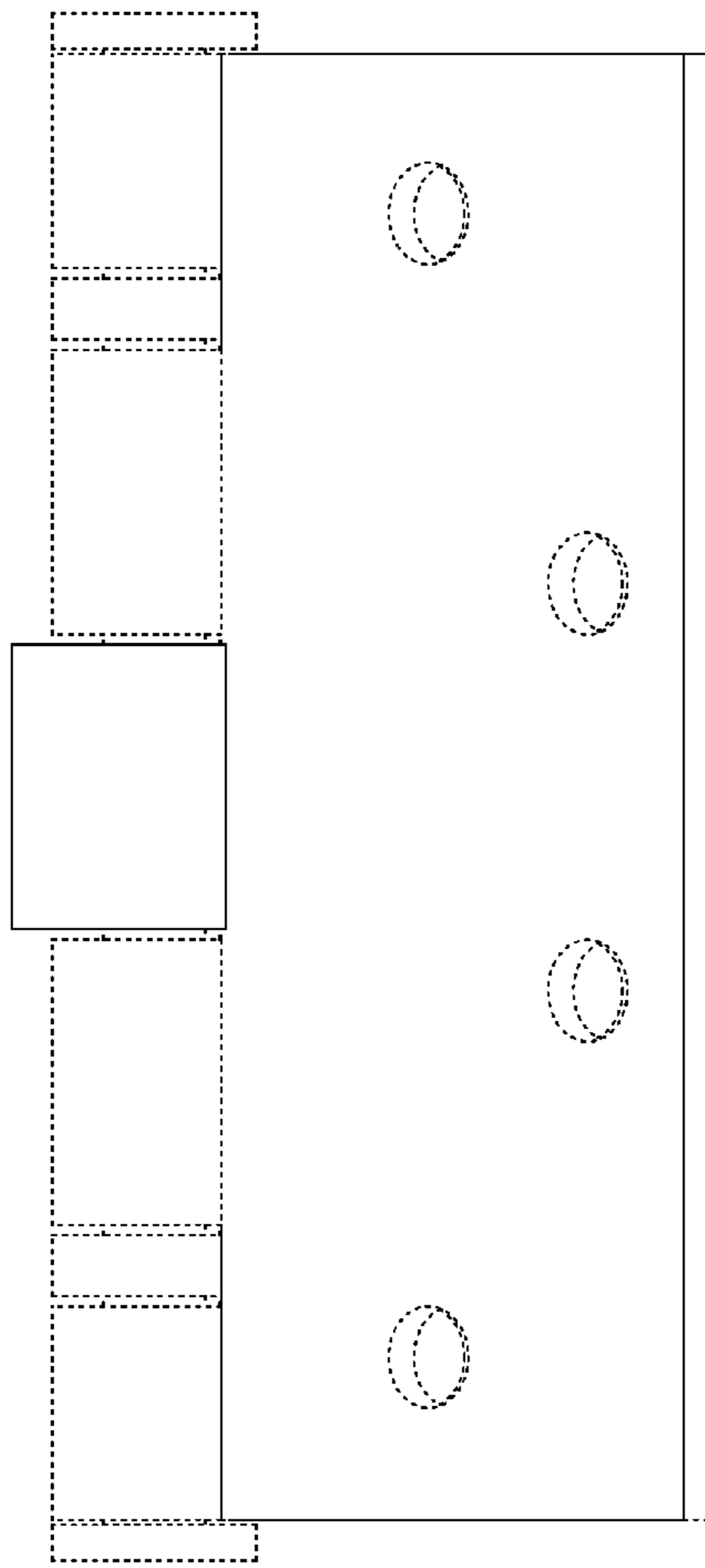


FIG. 4

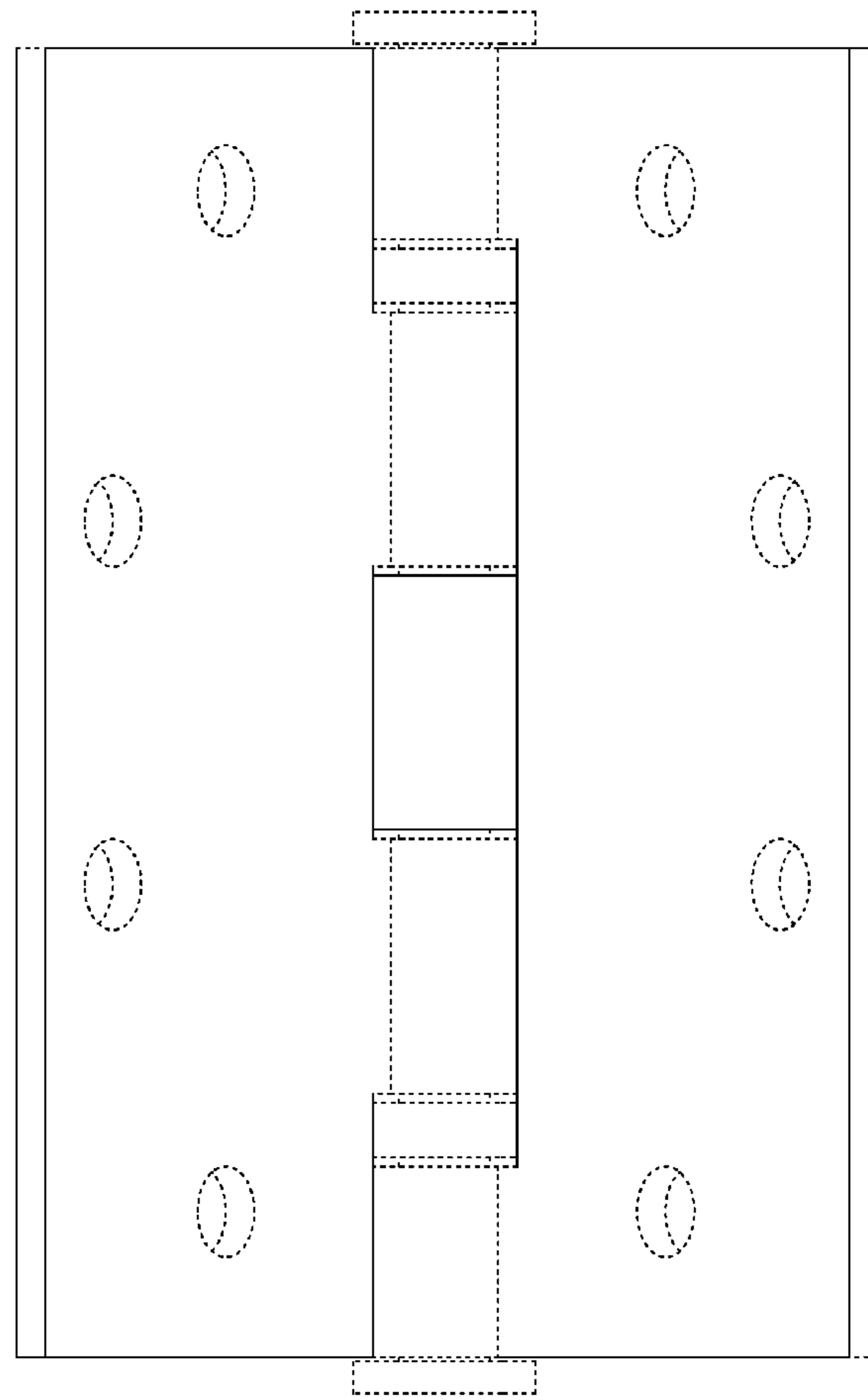


FIG. 5

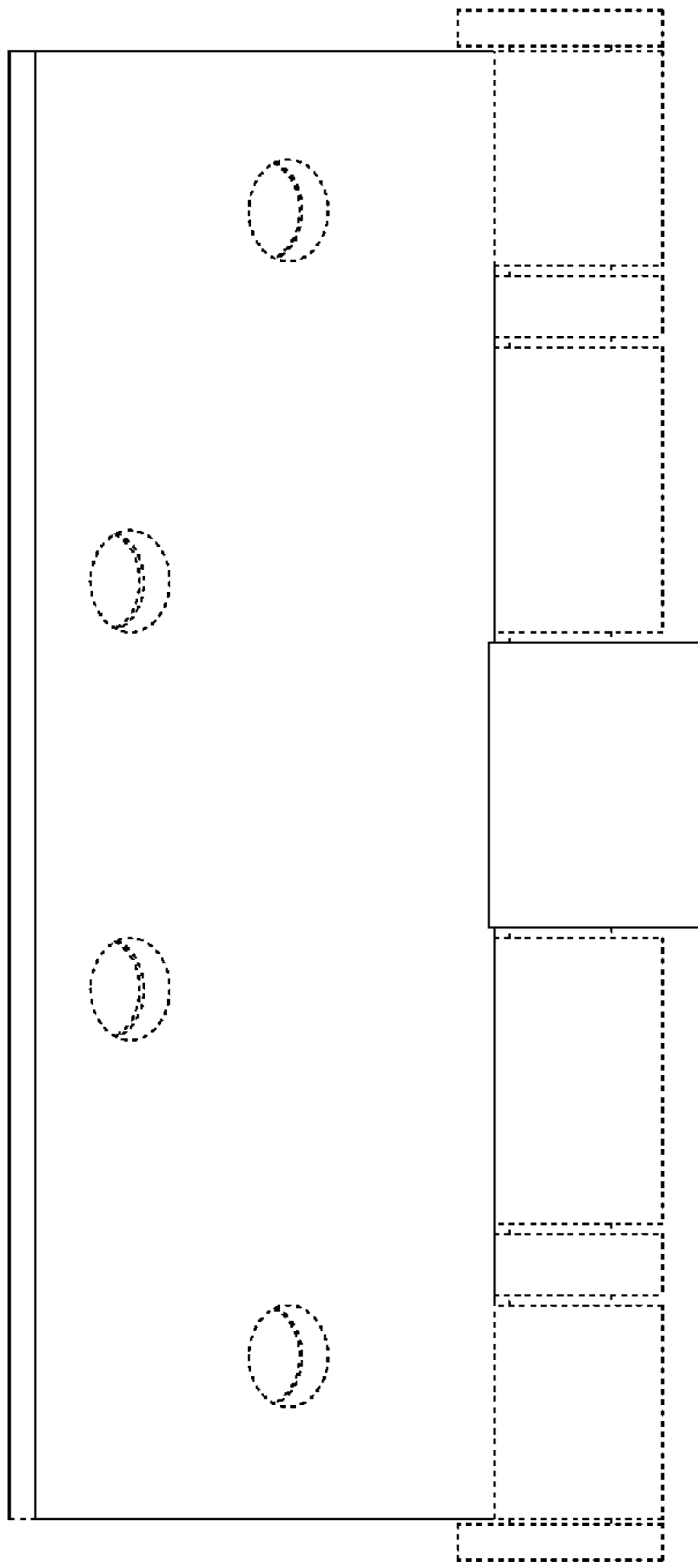


FIG. 6

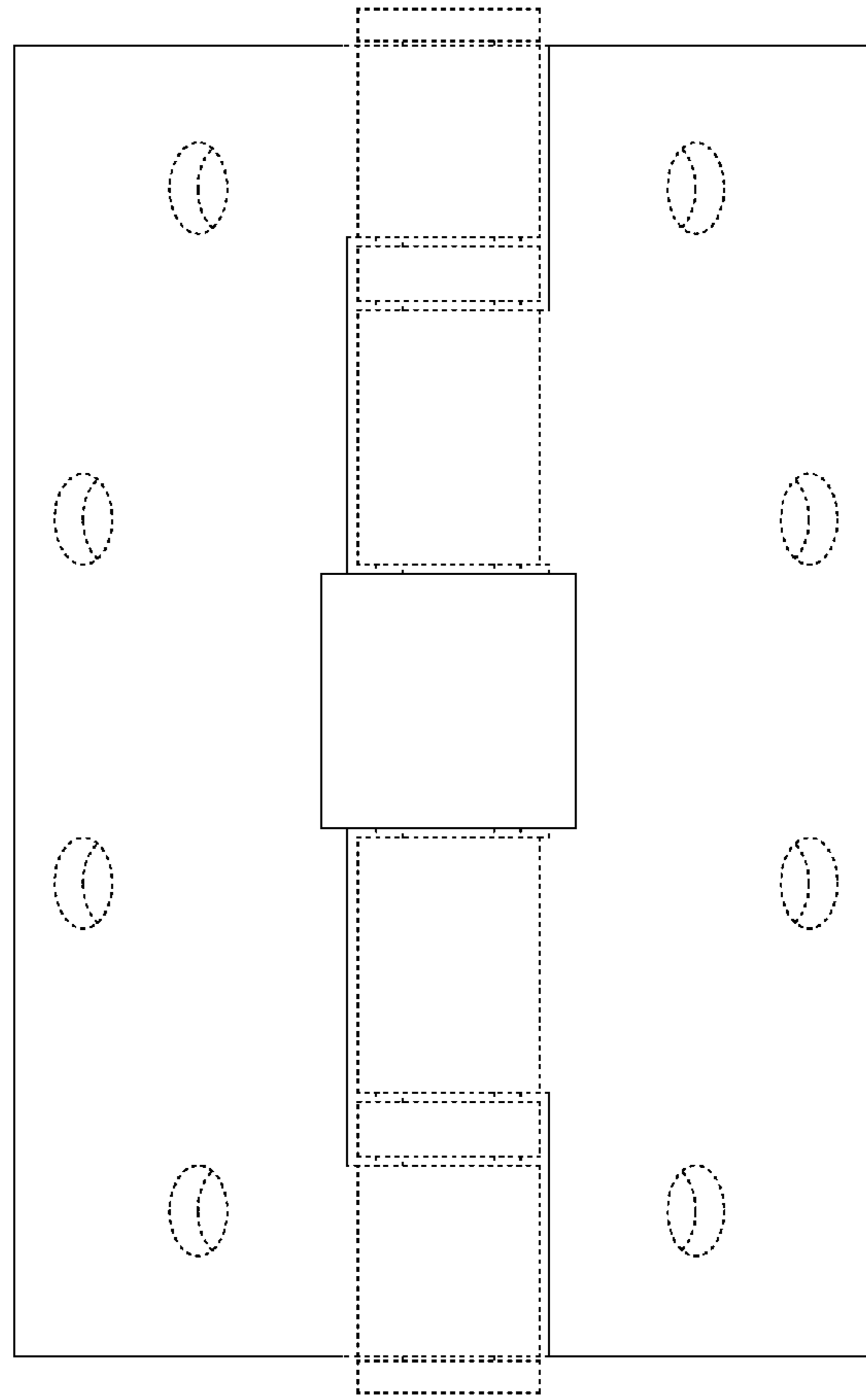


FIG. 7

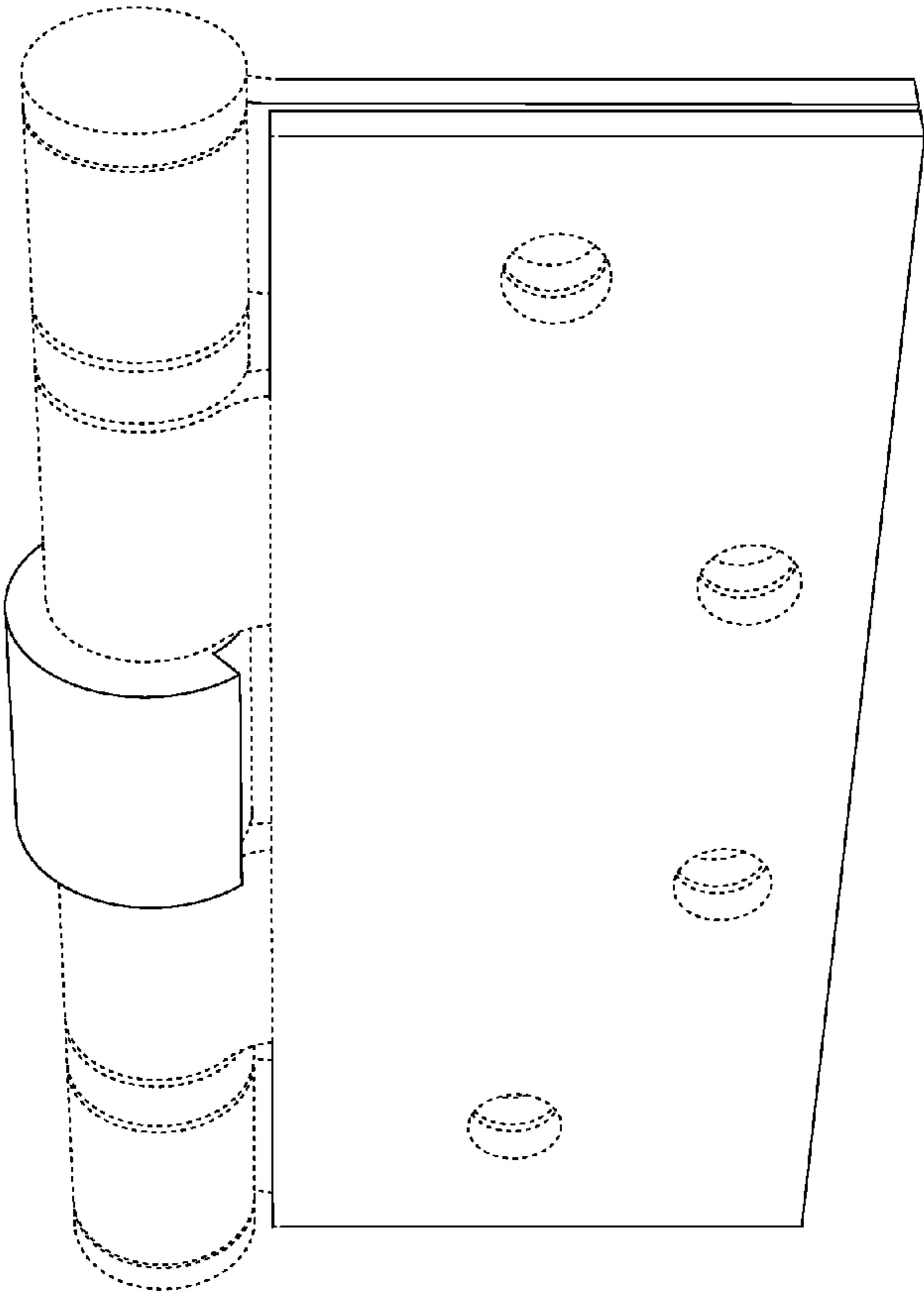


FIG. 8

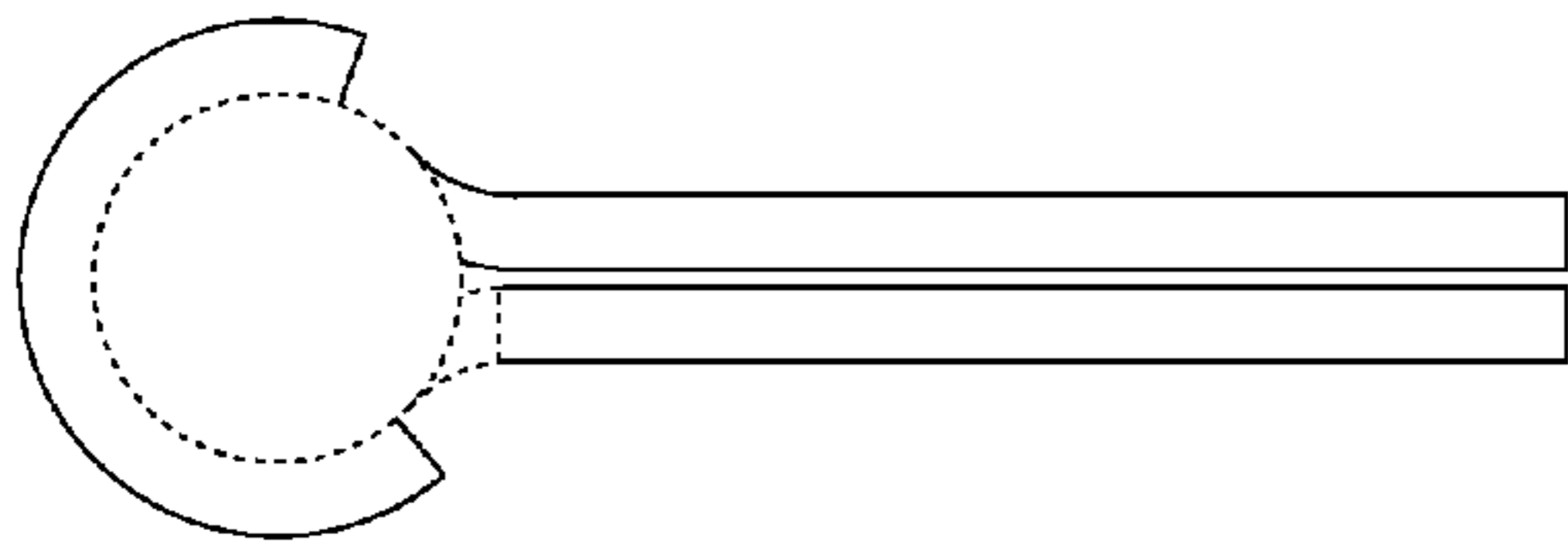


FIG. 9

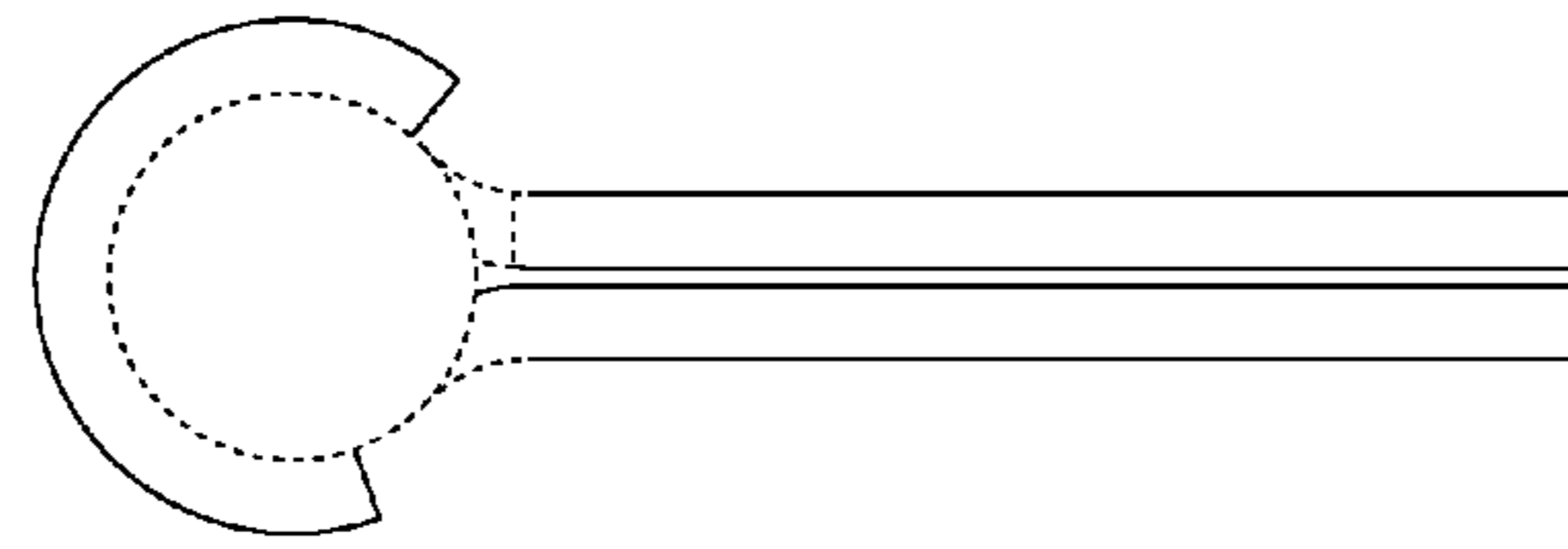


FIG. 10

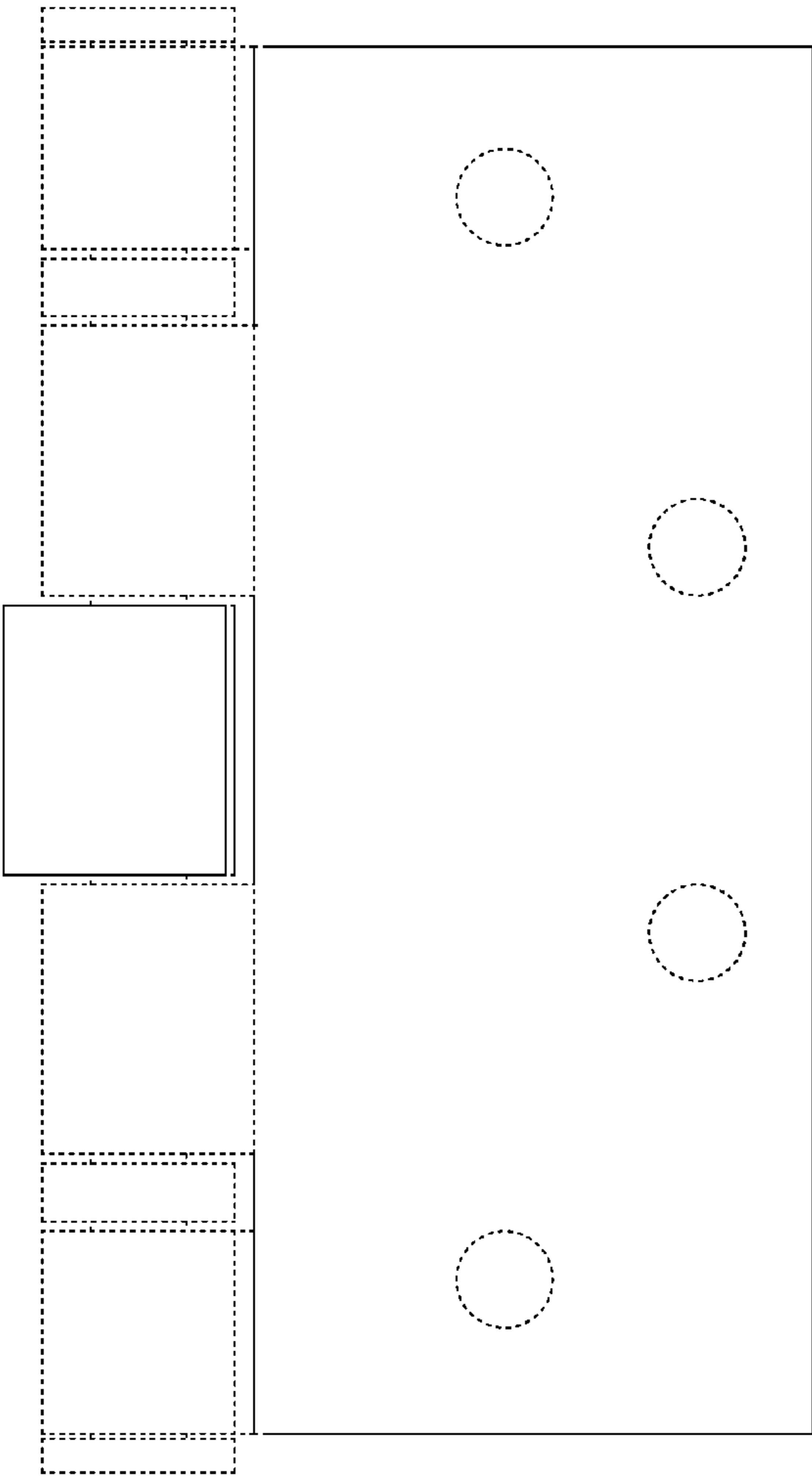


FIG. 11

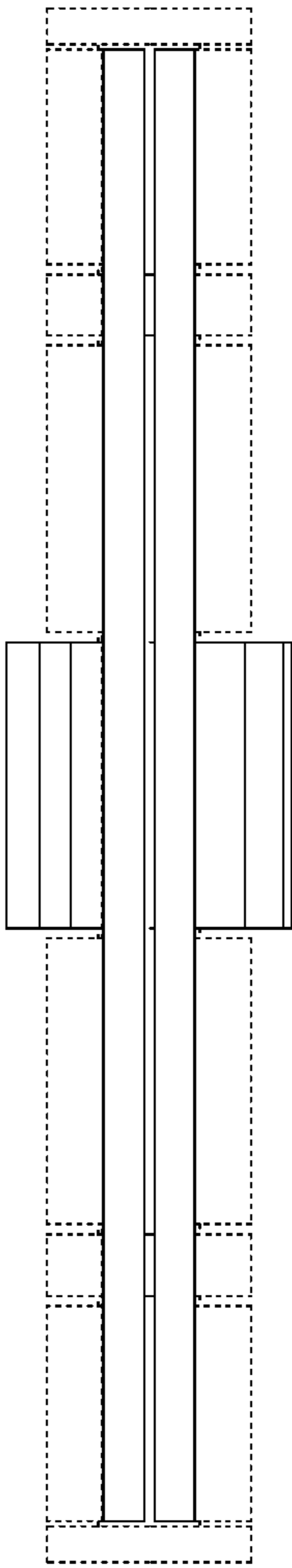


FIG. 12

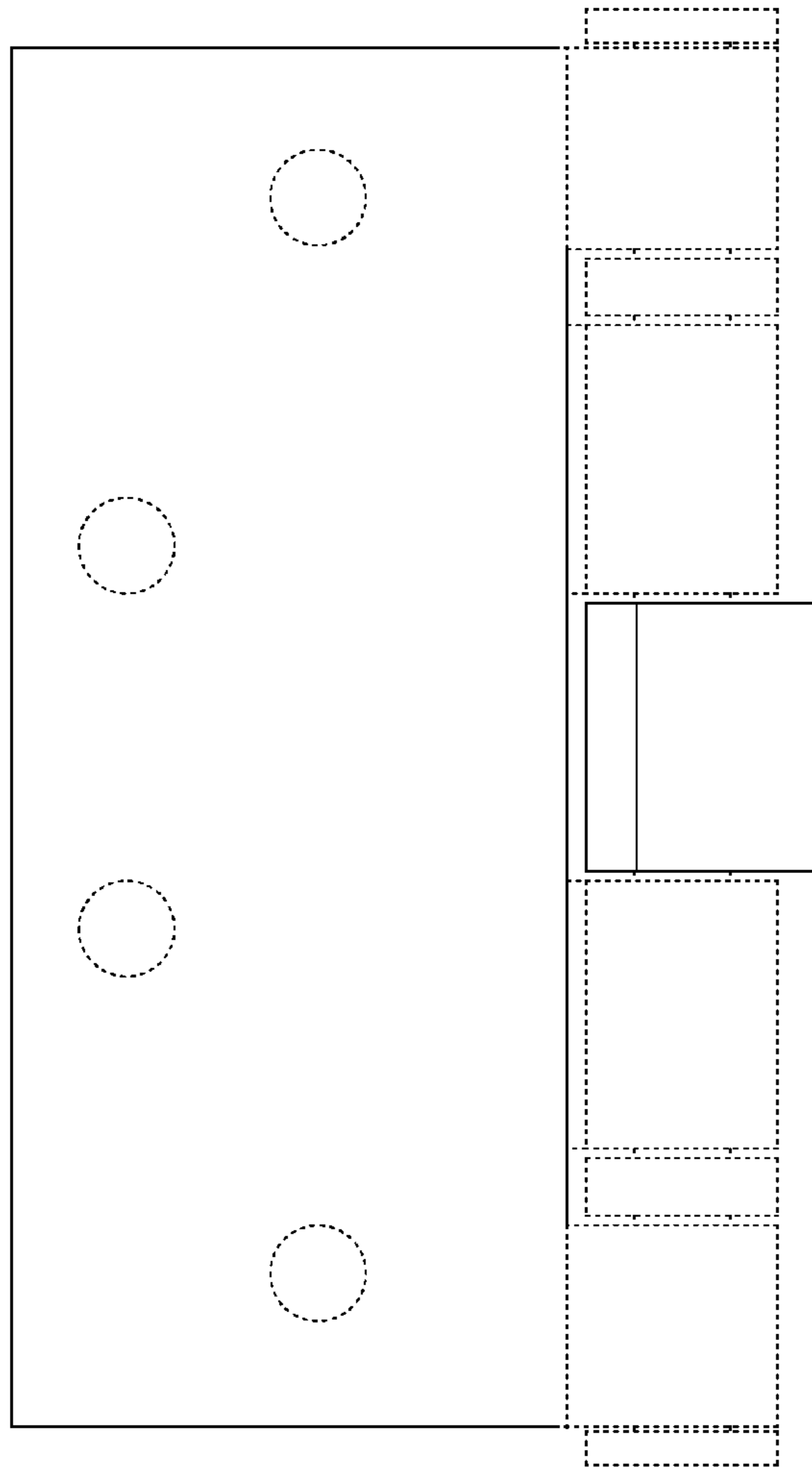


FIG. 13

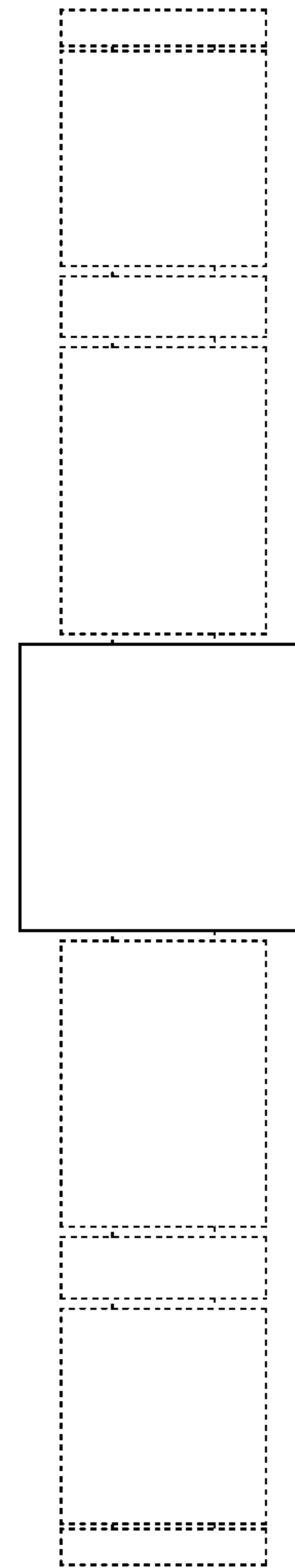


FIG. 14