



US00D649427S

(12) **United States Design Patent**
Roe et al.

(10) **Patent No.:** **US D649,427 S**

(45) **Date of Patent:** **** Nov. 29, 2011**

(54) **CABINET AND/OR DRAWER KNOB**

(75) Inventors: **Megan Roe**, Roswell, GA (US); **Ryan Bishop**, Roswell, GA (US); **Jason Begin**, Roswell, GA (US)

(73) Assignee: **Newell Operating Company**, Atlanta, GA (US)

(**) Term: **14 Years**

(21) Appl. No.: **29/368,225**

(22) Filed: **Aug. 20, 2010**

(51) **LOC (9) Cl.** **08-06**

(52) **U.S. Cl.** **D8/310**

(58) **Field of Classification Search** D8/300,
D8/307, 310, 312, DIG. 2; D6/512, 524,
D6/550, 578, 580; D7/393, 396, 392.1; D23/250,
D23/252; 16/110.1, 412, 414, 417, 441,
16/DIG. 30; 292/336.3, 348, 357

See application file for complete search history.

(56) **References Cited**

U.S. PATENT DOCUMENTS

392,990	A *	11/1888	Clark	40/331
434,650	A *	8/1890	Adams	16/417
461,175	A *	10/1891	Turner	16/441
563,693	A *	7/1896	Taylor	16/441
784,131	A *	3/1905	Assel	16/441
963,053	A *	7/1910	Lockwood	16/441
D47,068	S	3/1915	Burns		
1,601,160	A *	9/1926	Busch	16/417
D157,262	S *	2/1950	Jung	D9/451
D194,782	S *	3/1963	Watt, Jr.	D8/314
D198,522	S *	6/1964	Clayton	D8/305
D232,621	S *	9/1974	Zagaroll	D8/310
D316,592	S *	4/1991	Jans	D23/250
D322,659	S *	12/1991	Reid et al.	D23/250
D355,837	S	2/1995	Chieda		
D542,116	S	5/2007	Ricereto et al.		

D558,557	S *	1/2008	Jou	D8/310
D577,982	S *	10/2008	Thompson	D8/301
D579,749	S	11/2008	Jou		
D580,252	S	11/2008	Hoernig		
D580,735	S	11/2008	Matijevic		
D580,736	S	11/2008	Matijevic		
D580,737	S	11/2008	Singtoroj		
D584,127	S	1/2009	Matijevic		
D587,556	S	3/2009	Marks		
D589,776	S	4/2009	Camp		
D592,483	S	5/2009	Ricereto		
D592,484	S	5/2009	Ricereto		
D600,997	S	9/2009	McConnell		
D602,334	S	10/2009	Hanes		
D602,335	S	10/2009	Hanes		
D604,586	S	11/2009	Rauk et al.		
D621,238	S	8/2010	Rauk et al.		

* cited by examiner

Primary Examiner — Paula Greene

(74) *Attorney, Agent, or Firm* — Taft Stettinius & Hollister LLP

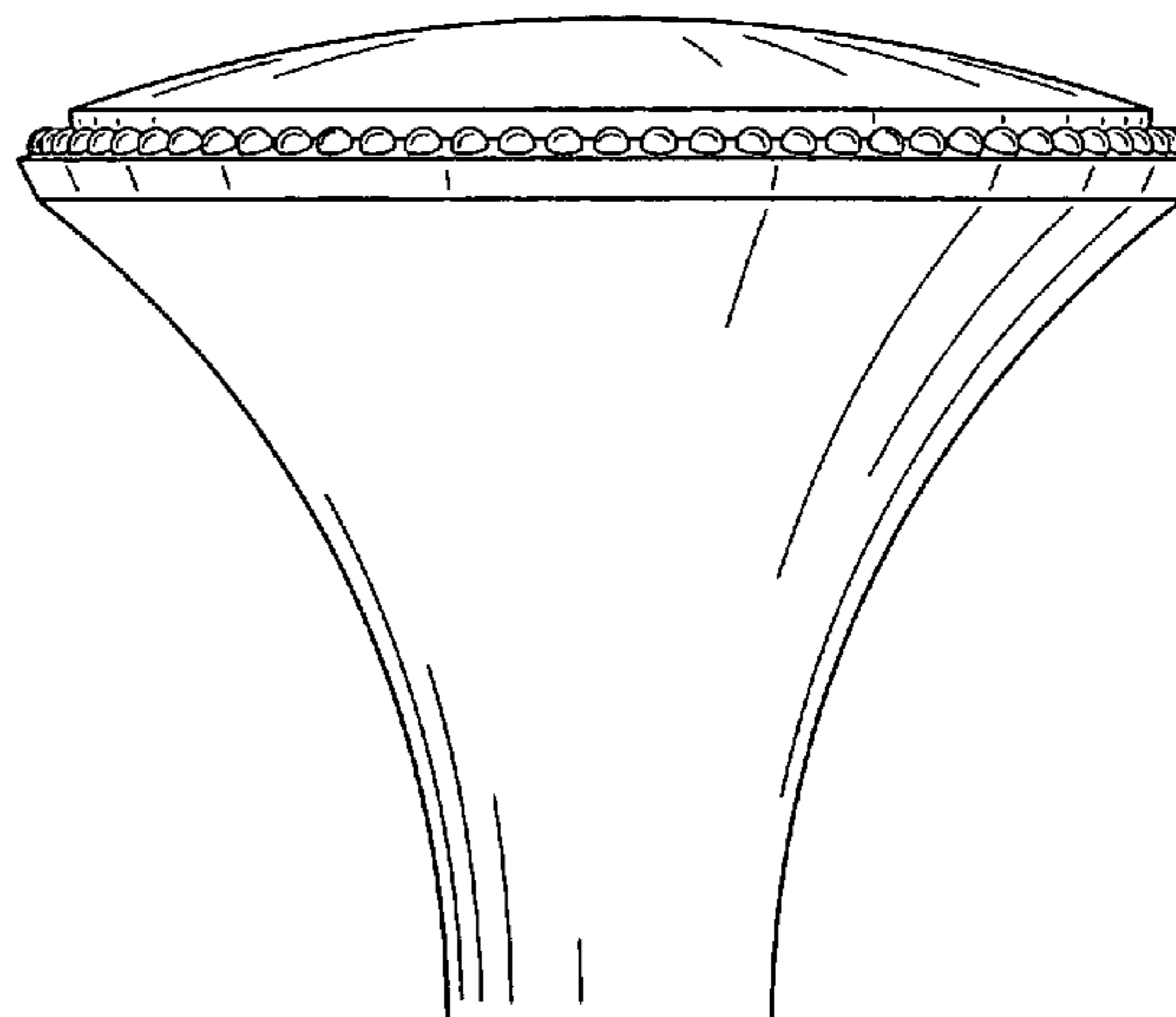
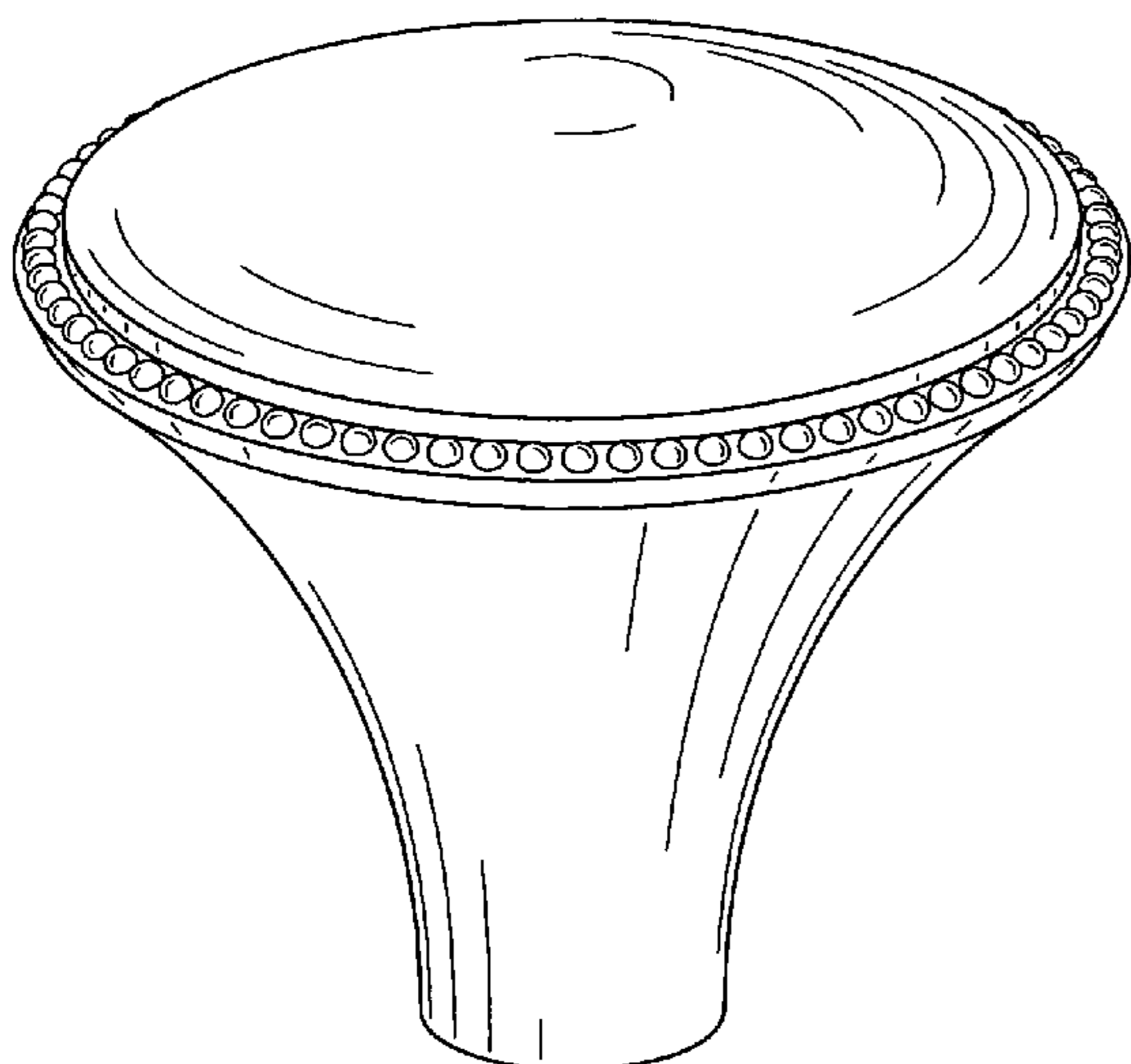
(57) **CLAIM**

We claim the ornamental design for a cabinet and/or drawer knob, as shown and described.

DESCRIPTION

FIG. 1 is a perspective view of a cabinet and/or drawer knob showing our new design;
FIG. 2 is a side elevation view of the cabinet and/or drawer knob shown in FIG. 1, the other side elevation views being identical thereto;
FIG. 3 is a top plan view of the cabinet and/or drawer knob shown in FIG. 1, and,
FIG. 4 is a bottom plan view of the cabinet and/or drawer knob shown in FIG. 1.
Features shown in broken lines in the drawing form no part of the claimed design.

1 Claim, 2 Drawing Sheets



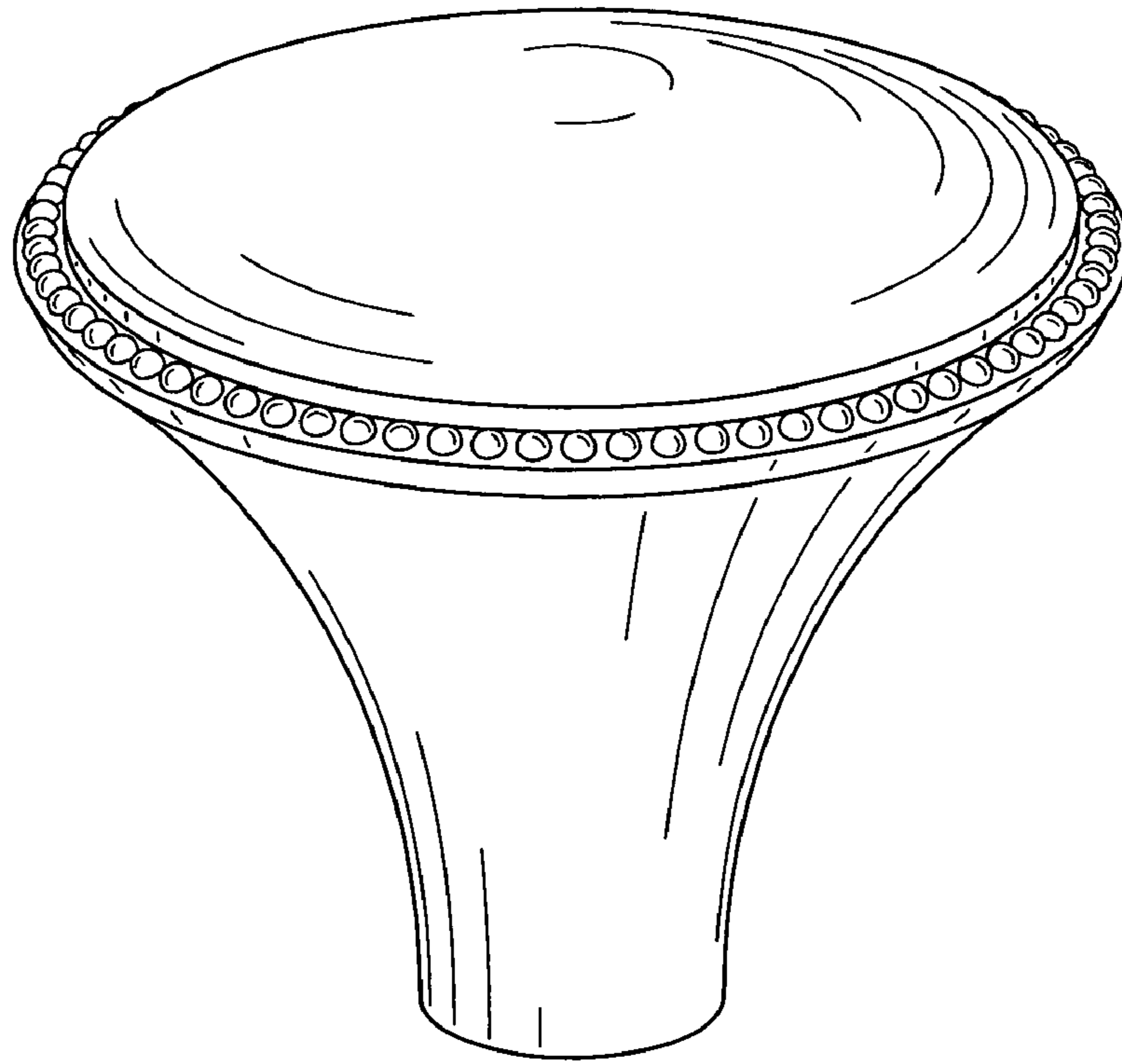


FIG. 1

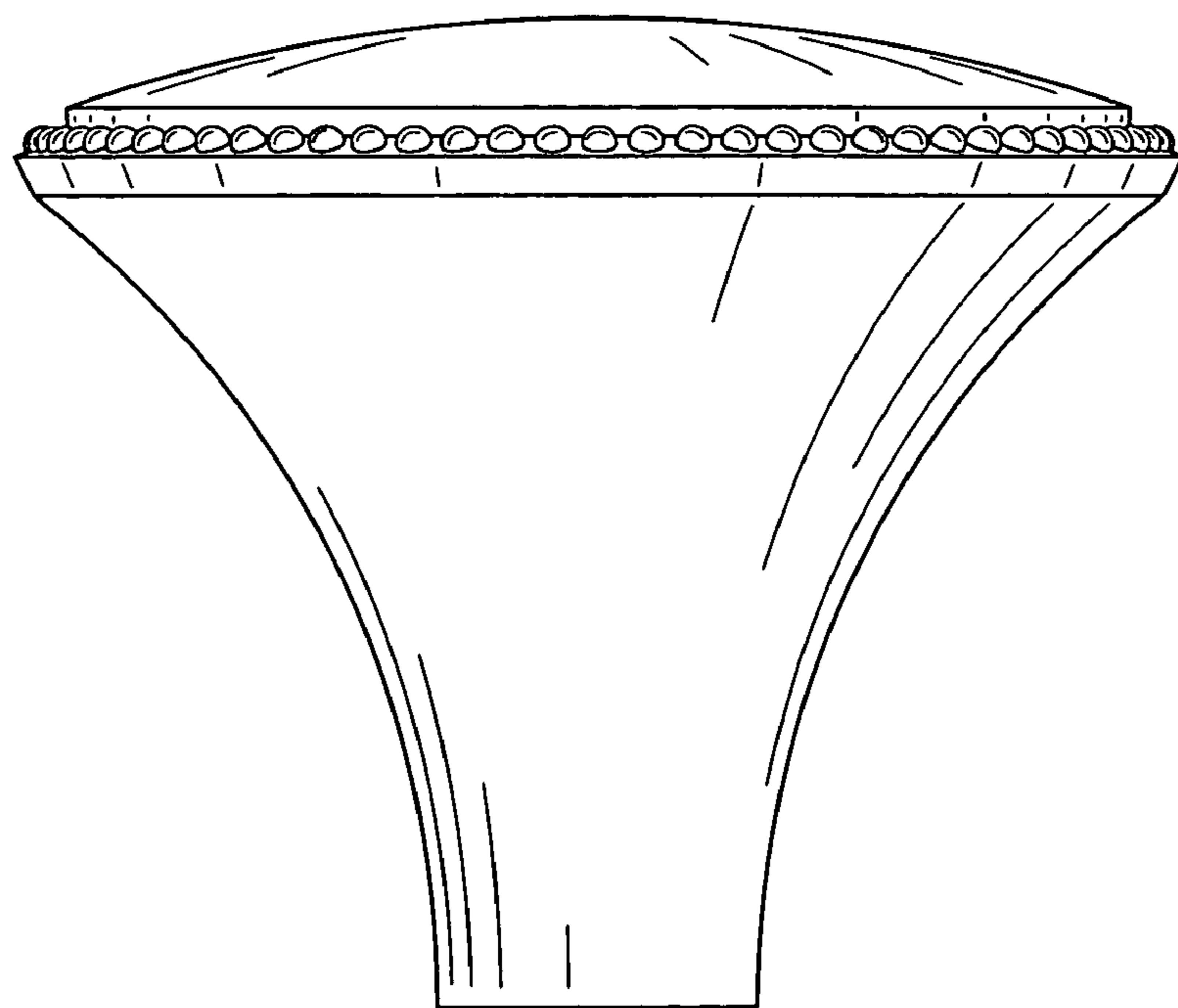


FIG. 2

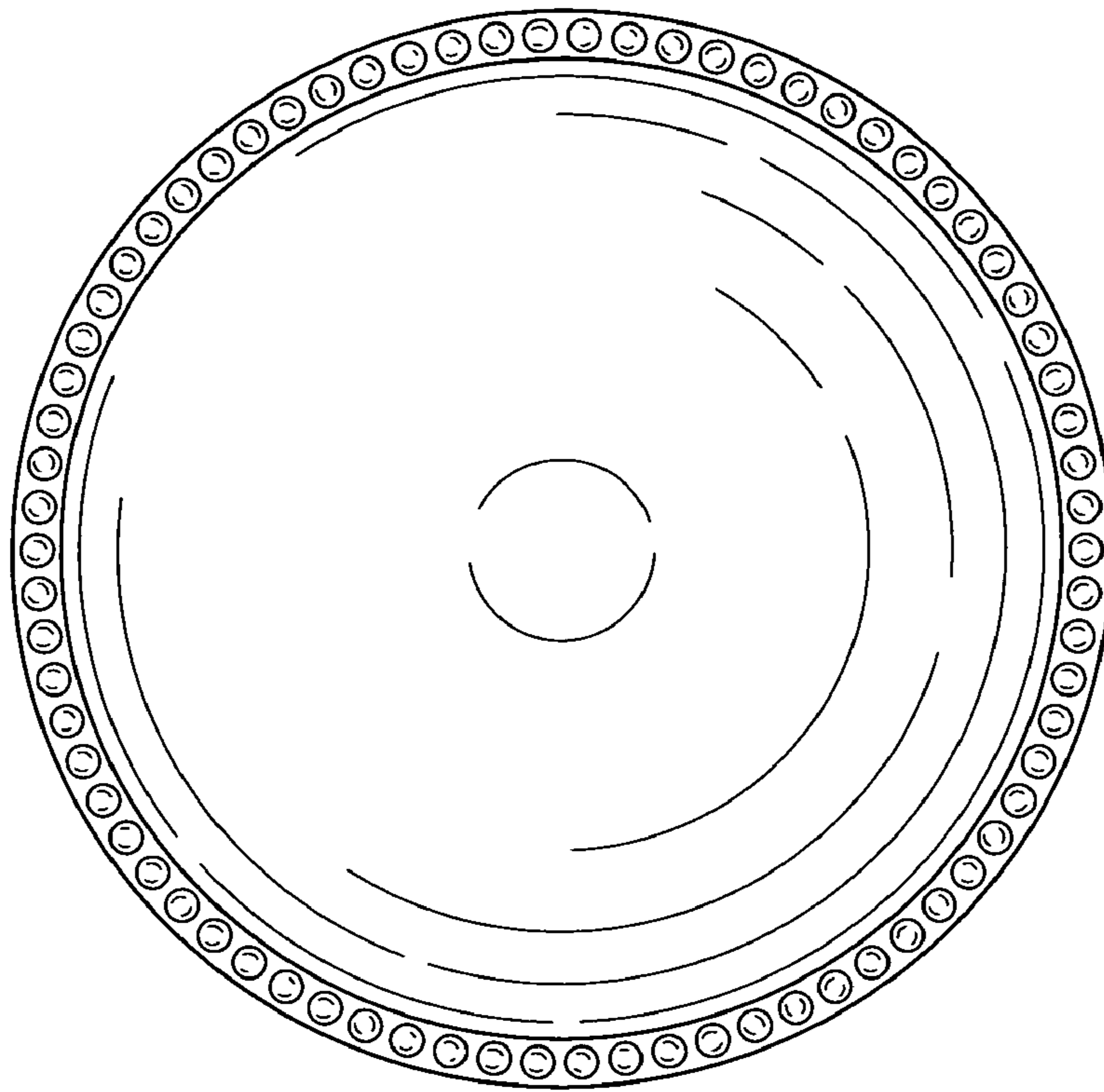


FIG. 3

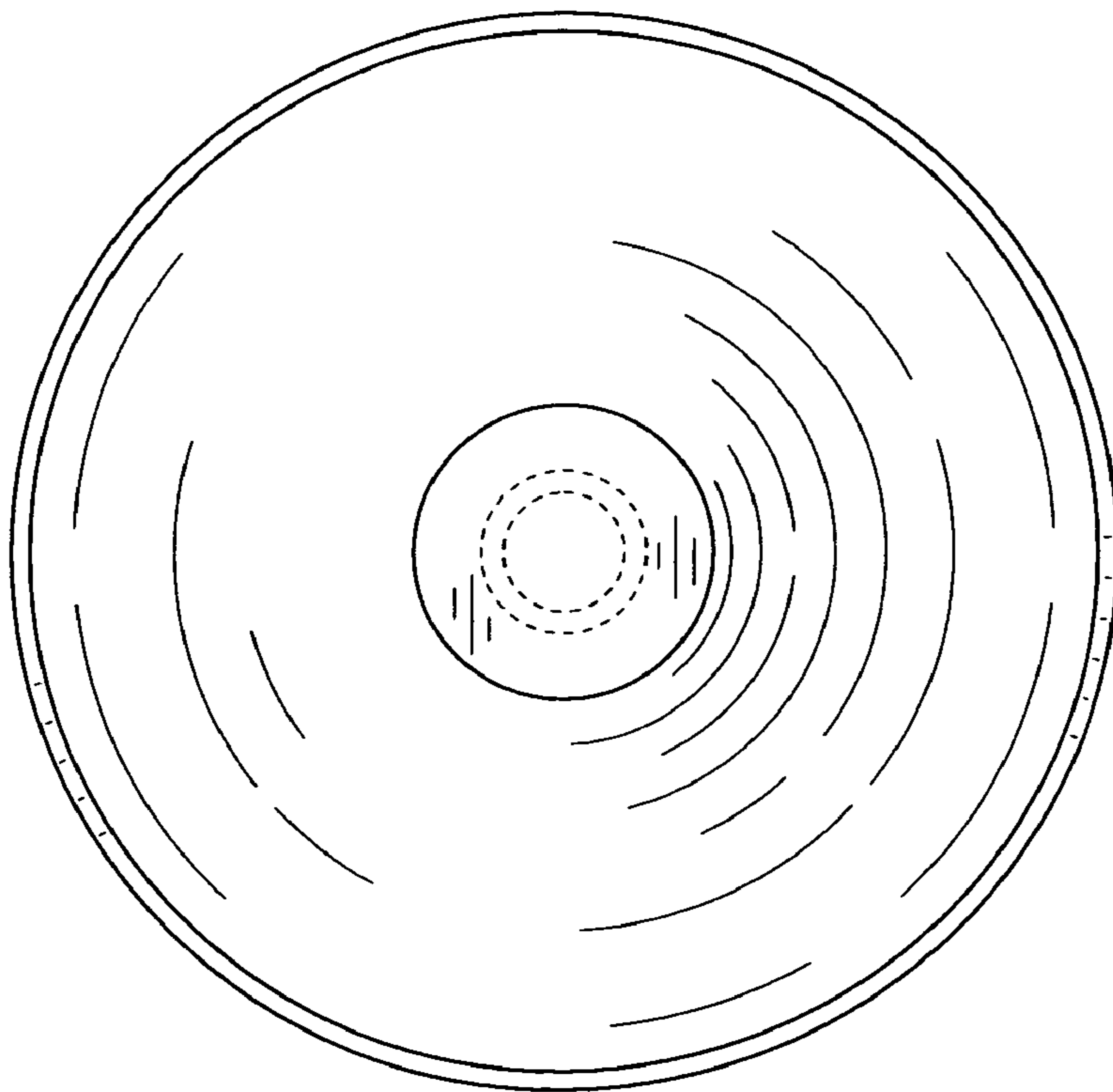


FIG. 4