



US00D649426S

(12) **United States Design Patent**
Roe et al.

(10) **Patent No.:** **US D649,426 S**

(45) **Date of Patent:** **** Nov. 29, 2011**

(54) **CABINET AND/OR DRAWER KNOB**

(75) Inventors: **Megan Roe**, Roswell, GA (US); **Ryan Bishop**, Roswell, GA (US); **Jason Begin**, Roswell, GA (US)

(73) Assignee: **Newell Operating Company**, Atlanta, GA (US)

(**) Term: **14 Years**

(21) Appl. No.: **29/368,219**

(22) Filed: **Aug. 20, 2010**

(51) **LOC (9) Cl.** **08-06**

(52) **U.S. Cl.** **D8/307**

(58) **Field of Classification Search** D8/300,
D8/307, 310, 353, DIG. 2; D23/250, 254;
16/110.1, 412, 414, 417, 441; 292/336.3

See application file for complete search history.

(56) **References Cited**

U.S. PATENT DOCUMENTS

D47,068 S	3/1915	Burns	
D152,901 S	* 3/1949	Petersen	D8/307
2,796,627 A	* 6/1957	Heyer	16/417
D224,225 S	* 7/1972	Doman	D23/250
D285,827 S	* 9/1986	Hill et al.	D23/250
D290,493 S	* 6/1987	Dragos	D23/250
D355,837 S	2/1995	Chieda	
D540,141 S	* 4/2007	Berberet	D8/307
D542,116 S	5/2007	Ricereto et al.	
D567,058 S	* 4/2008	Tor Verges	D8/307
D579,746 S	* 11/2008	Krumpe	D8/307
D579,749 S	11/2008	Jou	
D580,252 S	11/2008	Hoernig	
D580,735 S	11/2008	Matijevic	
D580,736 S	11/2008	Matijevic	

D580,737 S	11/2008	Singtoroj
D584,127 S	1/2009	Matijevic
D587,556 S	3/2009	Marks
D589,776 S	4/2009	Camp
D592,483 S	5/2009	Ricereto
D592,484 S	5/2009	Ricereto
D600,997 S	9/2009	McConnell
D602,334 S	10/2009	Hanes
D602,335 S	10/2009	Hanes
D604,586 S	11/2009	Rauk et al.
D621,238 S	8/2010	Rauk et al.

* cited by examiner

Primary Examiner — Paula Greene

(74) *Attorney, Agent, or Firm* — Taft Stettinius & Hollister LLP

(57) **CLAIM**

We claim the ornamental design for a cabinet and/or drawer knob, as shown and described.

DESCRIPTION

FIG. 1 is a perspective view of a cabinet and/or drawer knob of the present claimed design;

FIG. 2 is a side elevation view of the cabinet and/or drawer knob shown in FIG. 1, the opposite side elevation view being identical thereto;

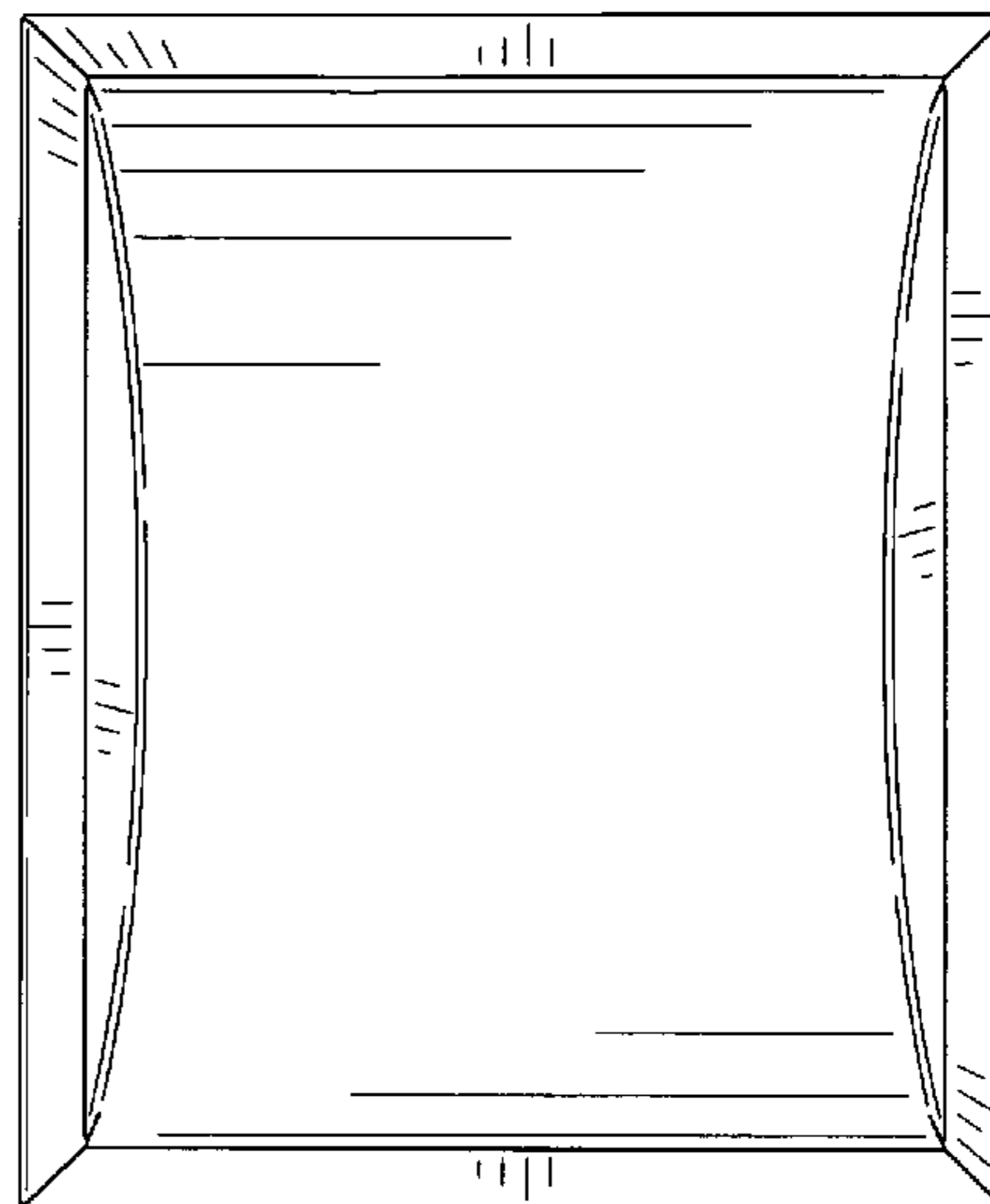
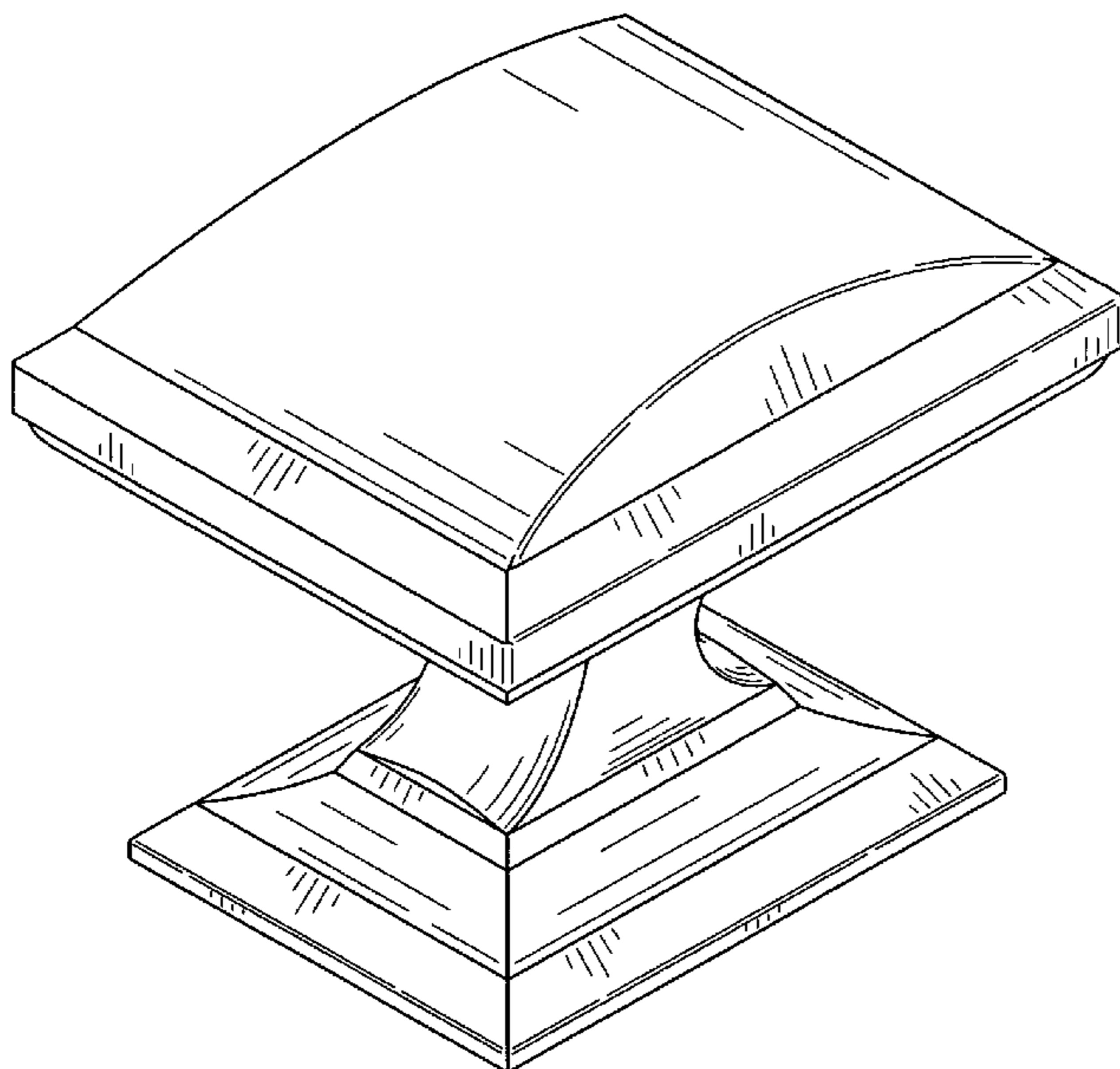
FIG. 3 is a front elevation view of the cabinet and/or drawer knob shown in FIG. 1 the opposite rear elevation view being identical thereto;

FIG. 4 is a top plan view of the cabinet and/or drawer knob shown in FIG. 1; and,

FIG. 5 is a bottom plan view of the cabinet and/or drawer knob shown in FIG. 1.

The broken lines form no part of the claimed design.

1 Claim, 3 Drawing Sheets



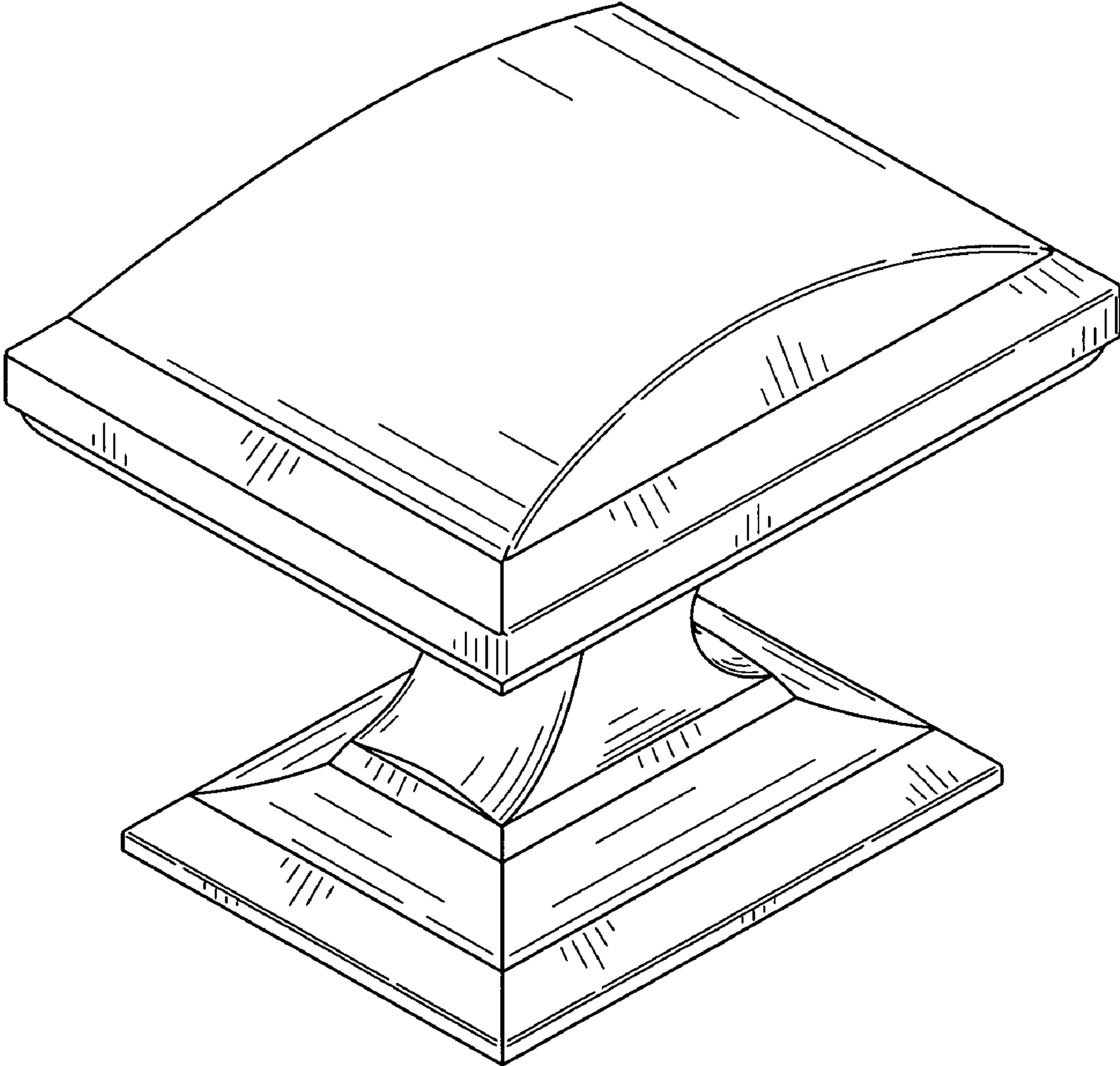


FIG. 1

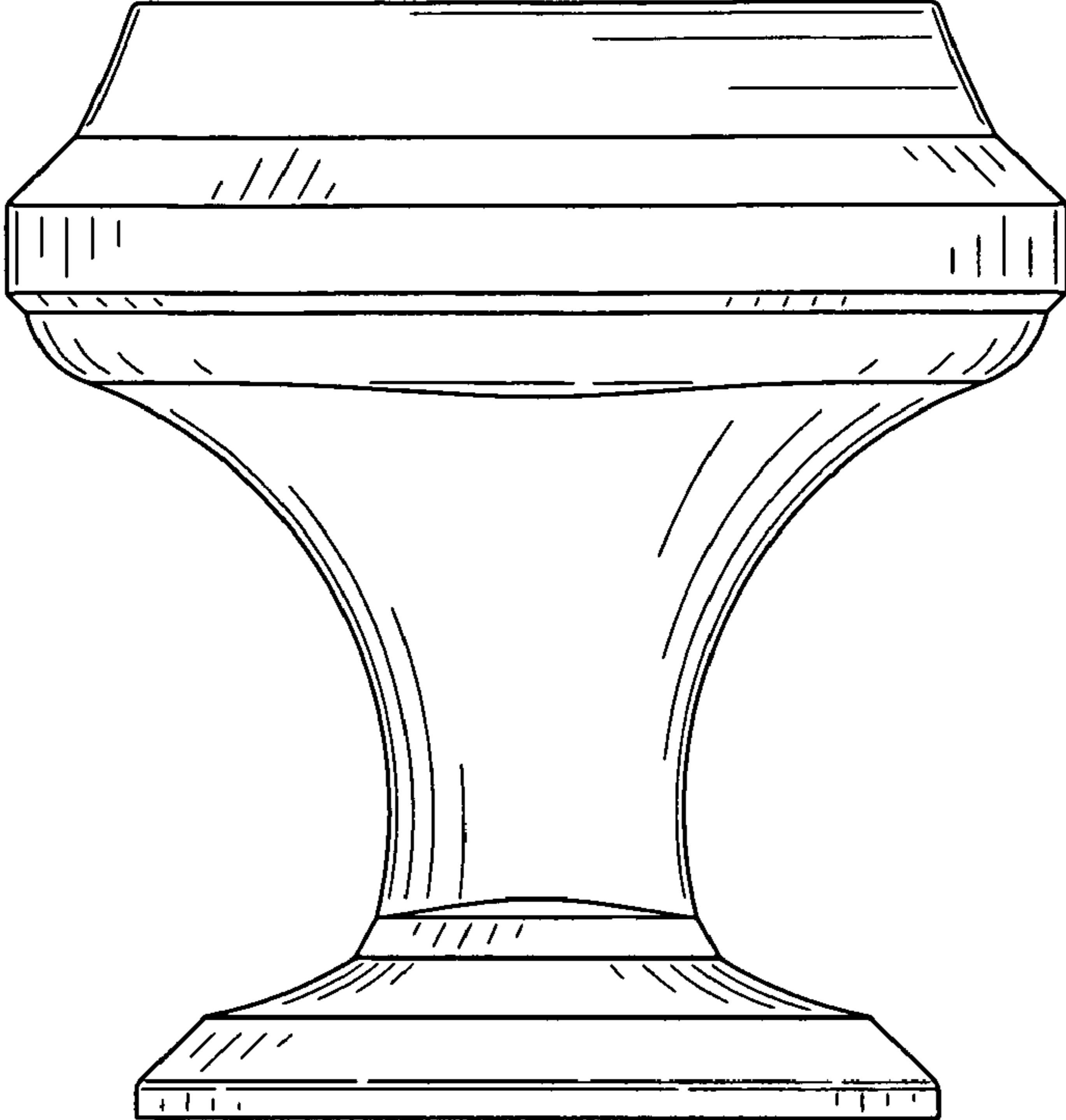


FIG. 2

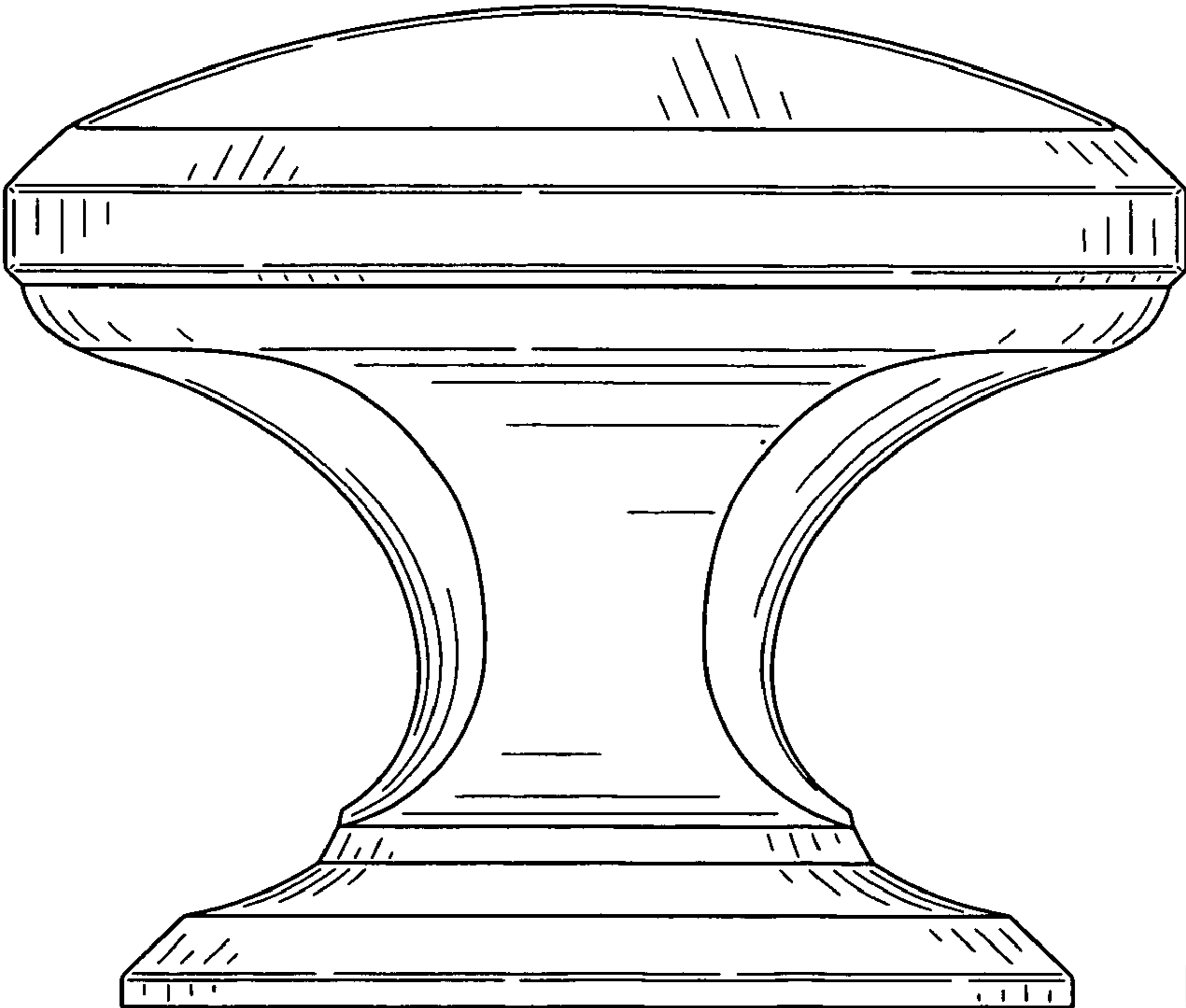


FIG. 3

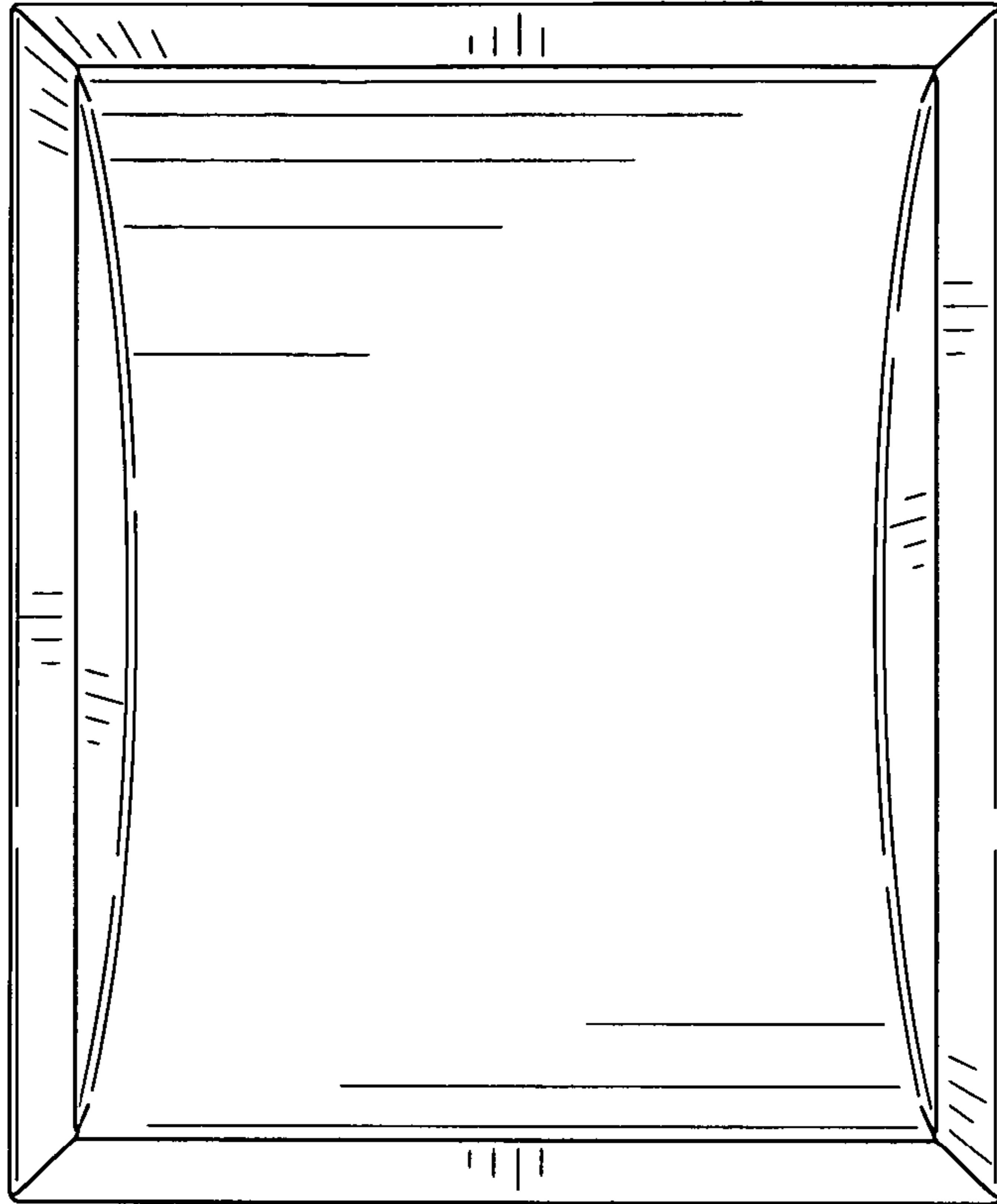


FIG. 4

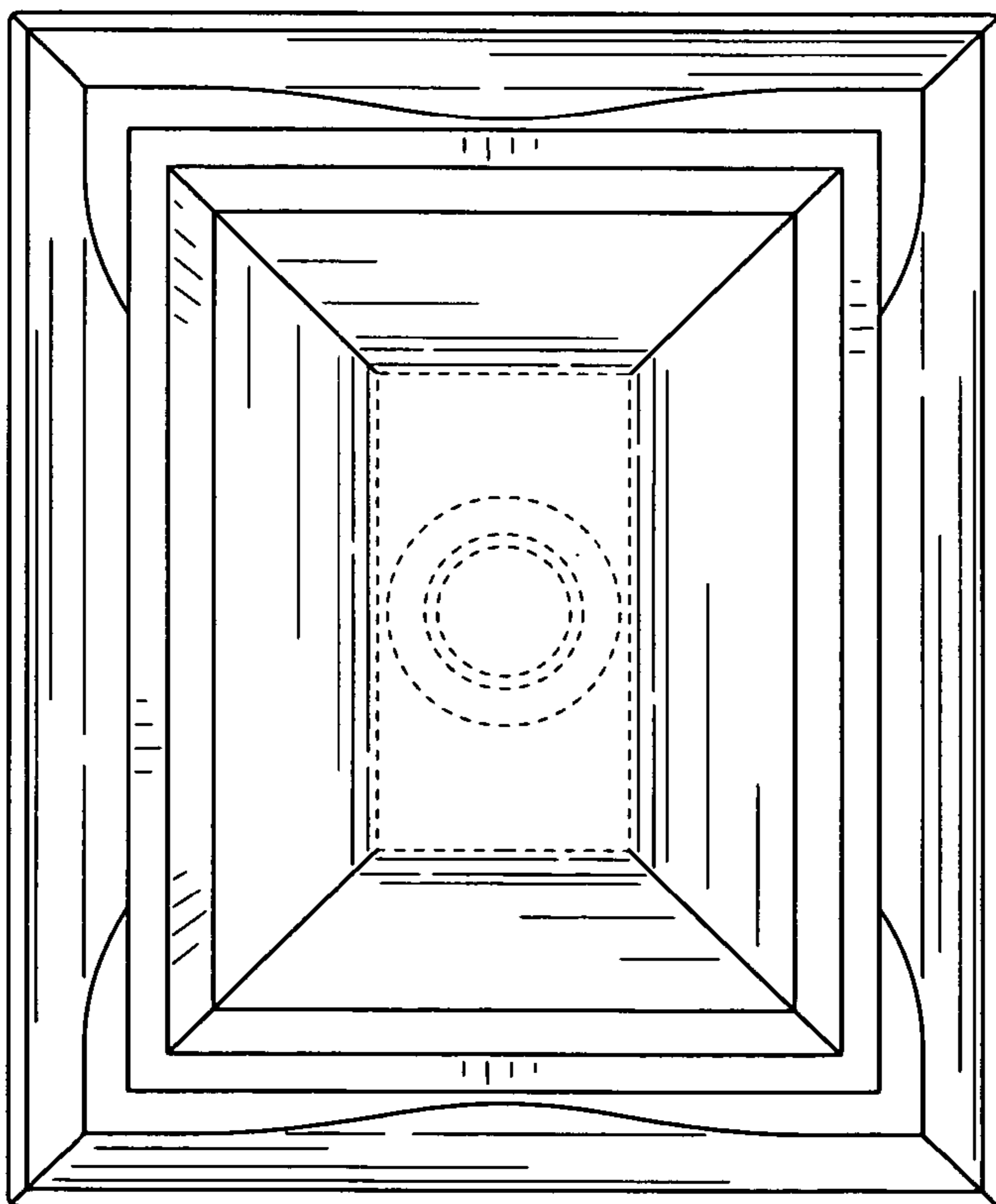


FIG. 5