



US00D649425S

(12) **United States Design Patent**
Bunnag et al.

(10) **Patent No.:** **US D649,425 S**

(45) **Date of Patent:** **** Nov. 29, 2011**

(54) **CUSHION BACK CUTTER**

(75) Inventors: **Paradee Bunnag**, Waynesboro, VA
(US); **James Naderi**, Richmond, VA
(US)

(73) Assignee: **American Safety Razor**, Verona, VA
(US)

(**) Term: **14 Years**

(21) Appl. No.: **29/362,157**

(22) Filed: **May 20, 2010**

(51) **LOC (9) Cl.** **08-03**

(52) **U.S. Cl.** **D8/98**

(58) **Field of Classification Search** D8/14,
D8/90, 94, 98-99, 104, 107; 30/110.1, 162,
30/280, 287, 289, 293-294, 314

See application file for complete search history.

D453,672	S *	2/2002	McCoy	D8/90
6,421,924	B2 *	7/2002	Anderson et al.	30/294
6,438,850	B2 *	8/2002	Young et al.	30/162
6,647,628	B1 *	11/2003	Braaksma	30/294
D501,386	S *	2/2005	Diaz	D8/98
D517,389	S *	3/2006	Collins et al.	D8/90
D517,890	S *	3/2006	Collins et al.	D8/90

OTHER PUBLICATIONS

Cushion Back Carpet Cutter. Downloaded Jan. 31, 2011 at [http://www.lowes.com/pd_73101-81-48038_4294928942_?productId=3079275&Ns=p_product_prd_lis...*](http://www.lowes.com/pd_73101-81-48038_4294928942_?productId=3079275&Ns=p_product_prd_lis...)

* cited by examiner

Primary Examiner — Philip S Hyder

Assistant Examiner — Roselynn Cody

(74) *Attorney, Agent, or Firm* — McDermott Will & Emery LLP

(57) **CLAIM**

The ornamental design for a cushion back cutter, as shown and described.

DESCRIPTION

FIG. 1 is a rear perspective view of the cushion back cutter, showing the new design;

FIG. 2 is a front view of the cushion back cutter;

FIG. 3 is a rear view of the cushion back cutter;

FIG. 4 is a side view of the cushion back cutter;

FIG. 5 is another side view of the cushion back cutter;

FIG. 6 is a top view of the cushion back cutter; and,

FIG. 7 is a bottom view of the cushion back cutter.

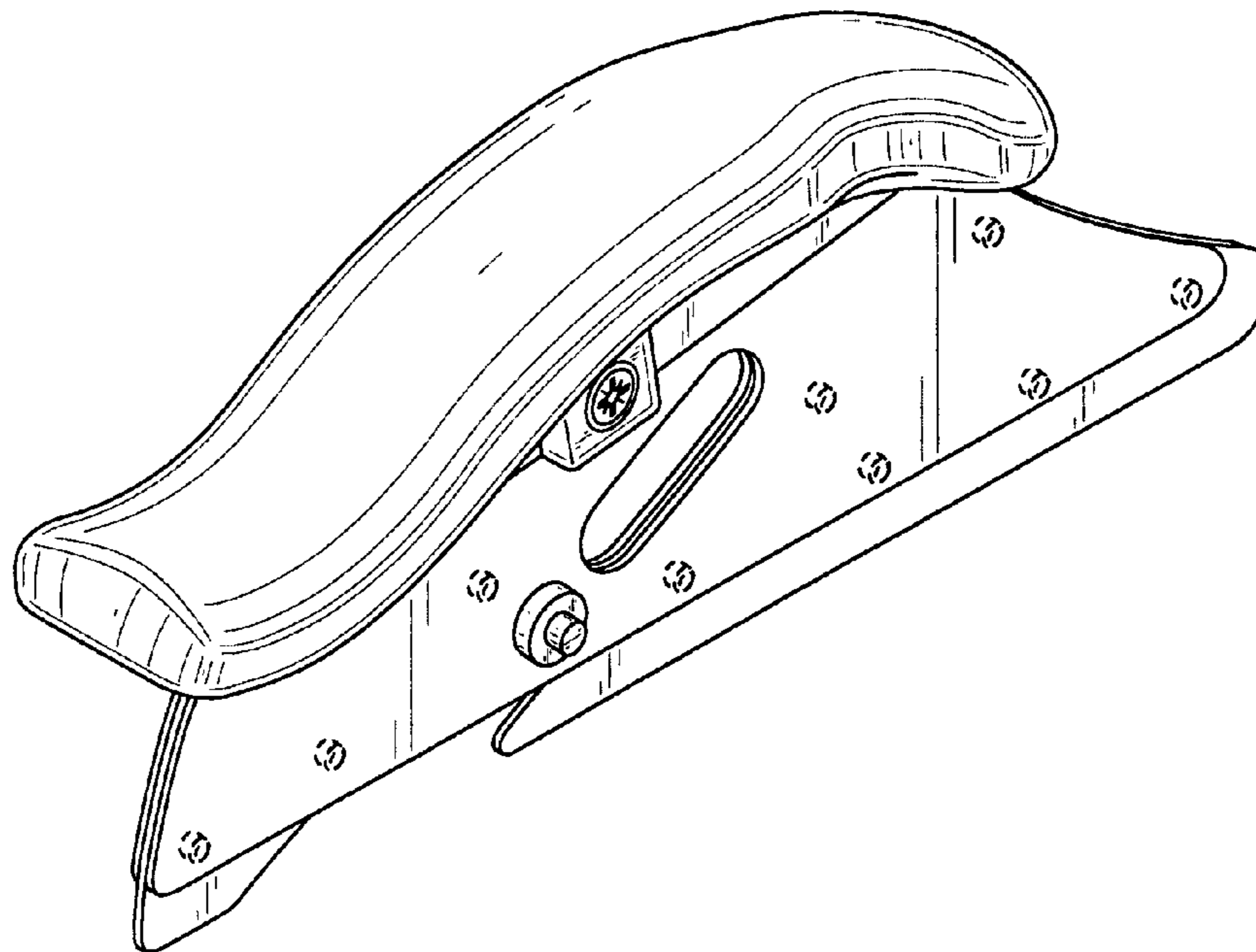
The broken lines showing various elements of the cushion back cutter are included for the purpose of illustrating non-claimed subject matter and form no part of the claimed design.

1 Claim, 5 Drawing Sheets

(56) **References Cited**

U.S. PATENT DOCUMENTS

2,772,474	A *	12/1956	Hill et al.	30/293
3,009,247	A *	11/1961	Mueller	30/294
3,535,786	A *	10/1970	Sanders	30/293
3,543,400	A *	12/1970	McPherson et al.	30/280
3,543,401	A *	12/1970	McPherson et al.	30/294
3,581,397	A *	6/1971	Kochanowski	30/293
3,859,725	A *	1/1975	Anderson et al.	30/294
D278,790	S *	5/1985	Chaney et al.	D8/14
4,543,680	A *	10/1985	Vlahos	15/145
4,802,280	A *	2/1989	LaPiana	30/293
5,044,081	A *	9/1991	Nguyen	30/294
D337,931	S *	8/1993	Dann	D8/98
5,303,445	A *	4/1994	Meyers	15/235.4
D366,407	S *	1/1996	Kendall et al.	D8/98
5,881,463	A *	3/1999	Casteel et al.	30/280



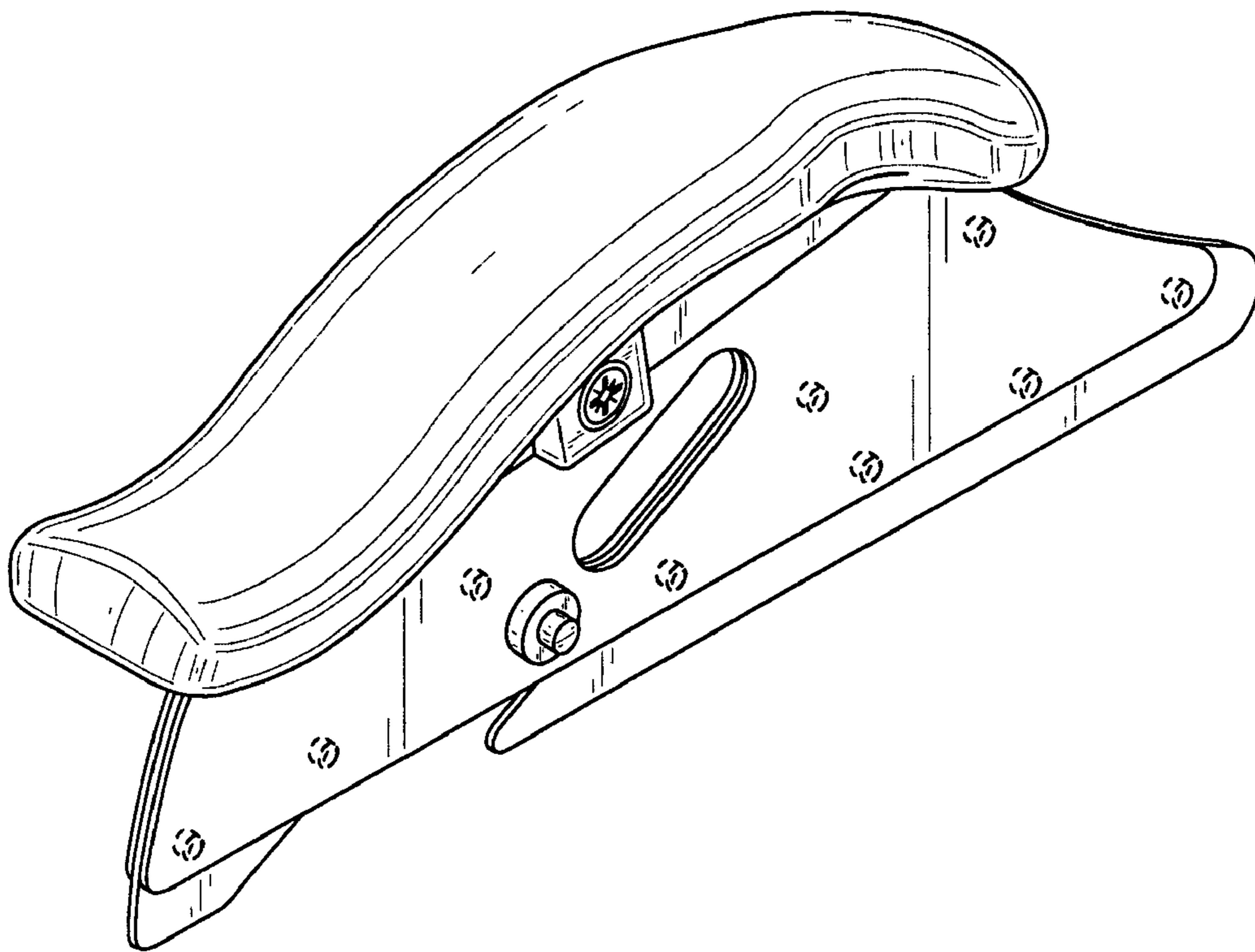


FIG. 1

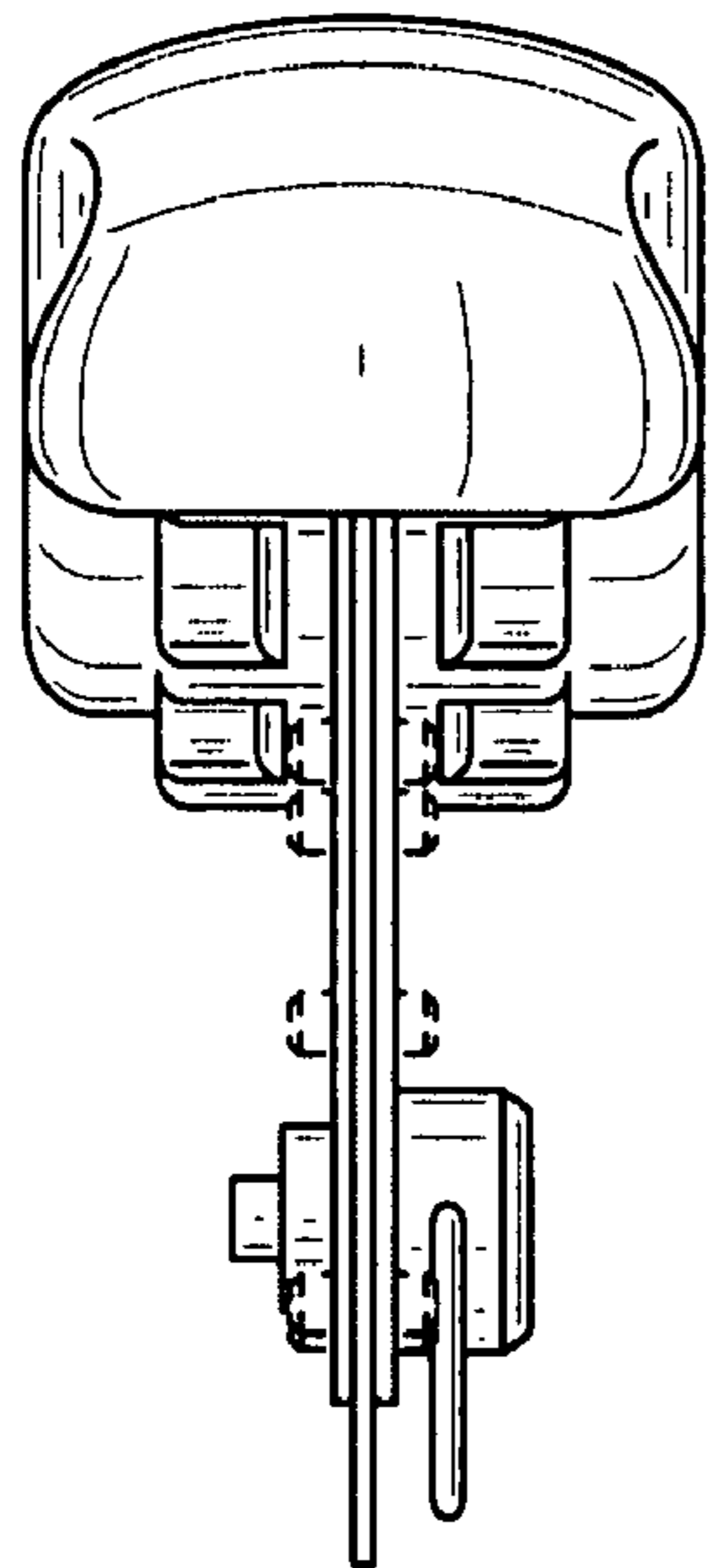


FIG. 2

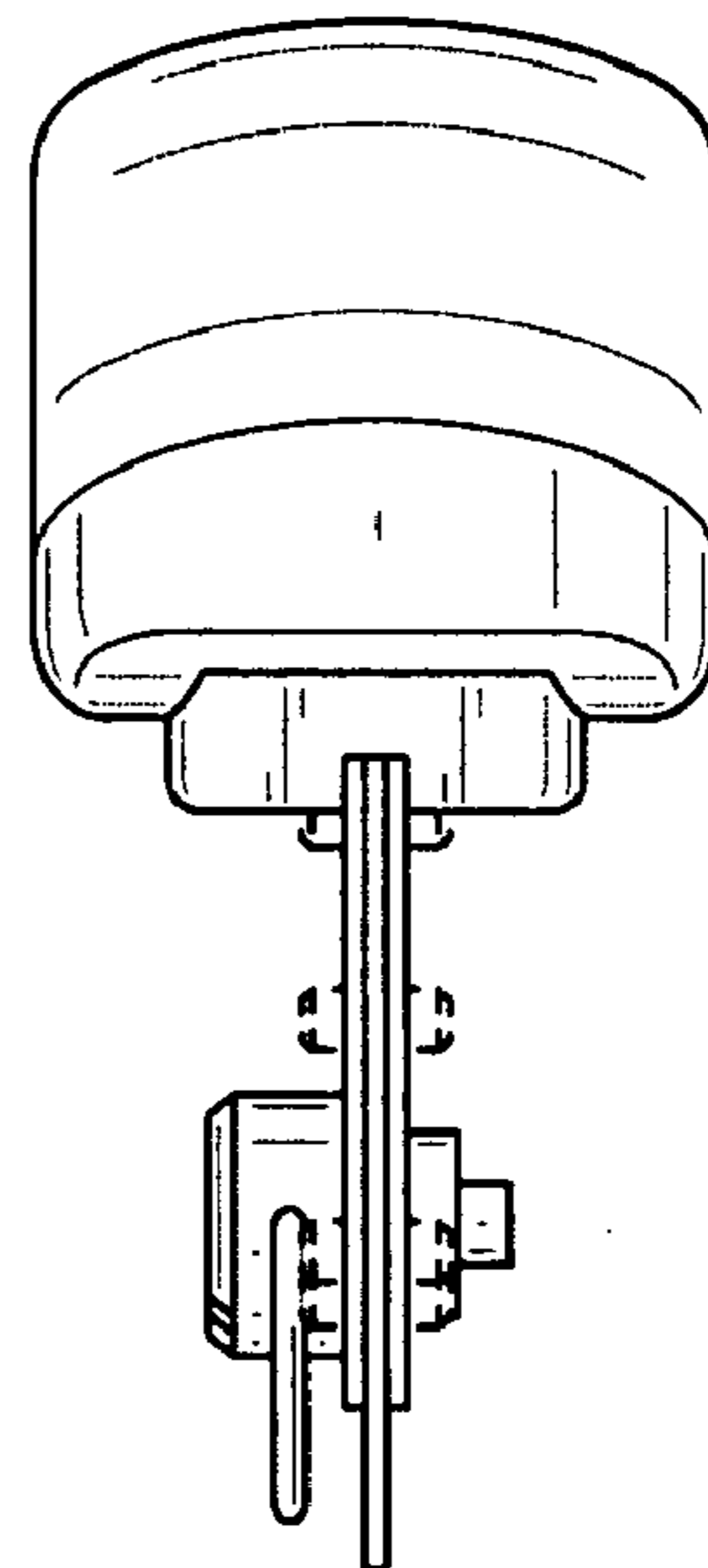


FIG. 3

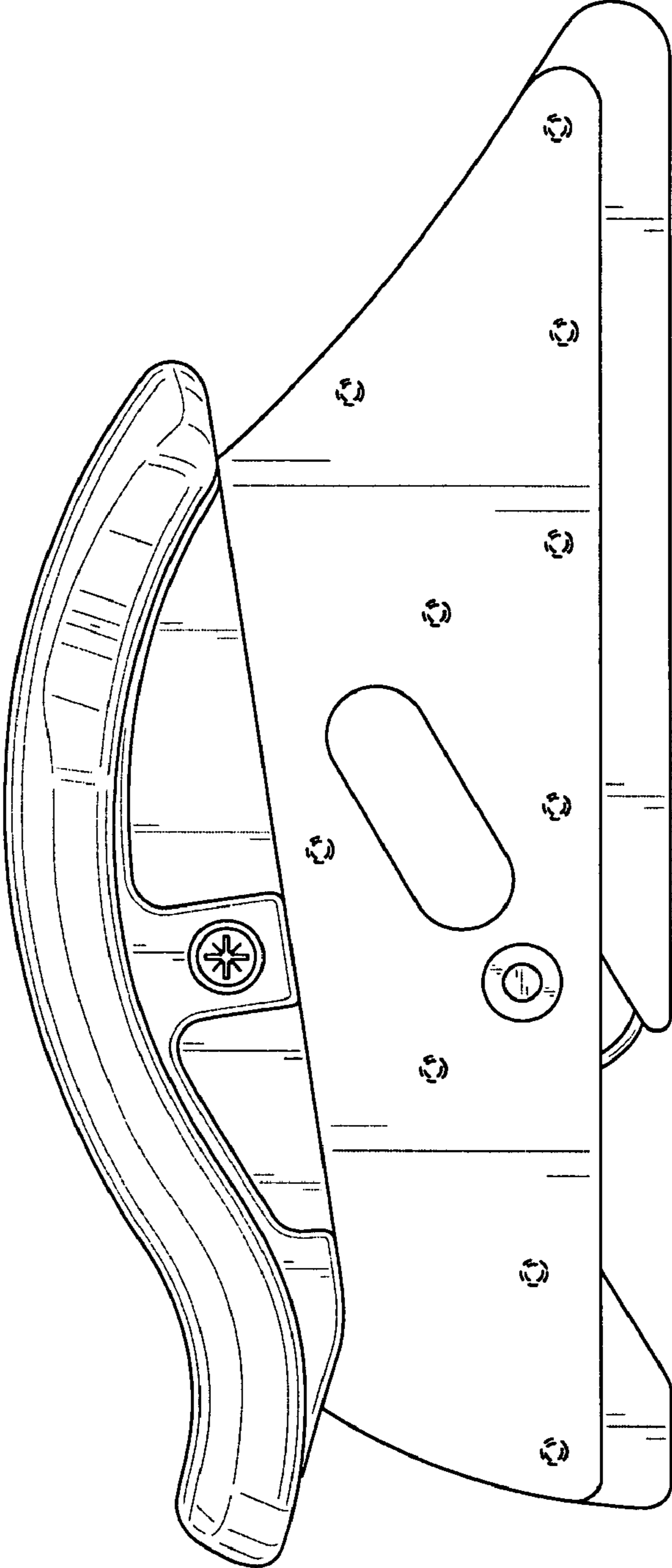


FIG. 4

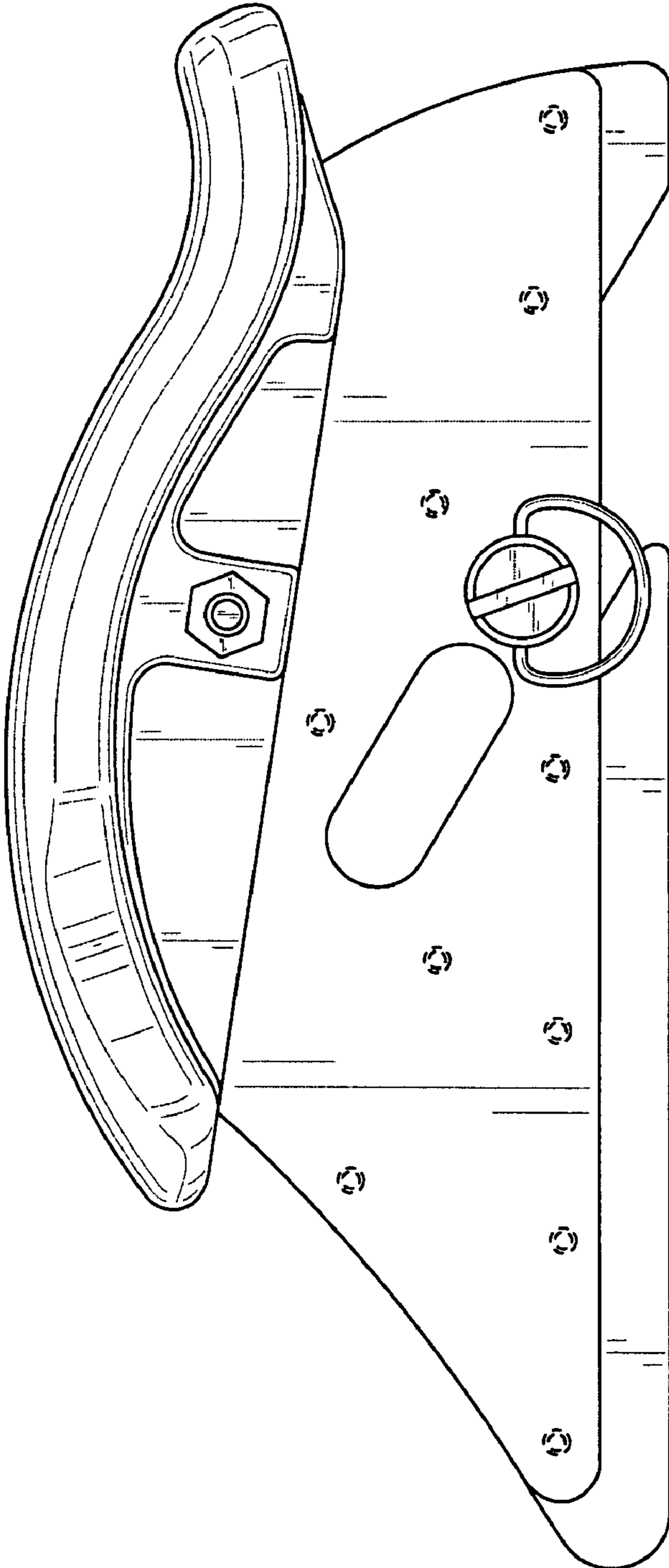


FIG. 5

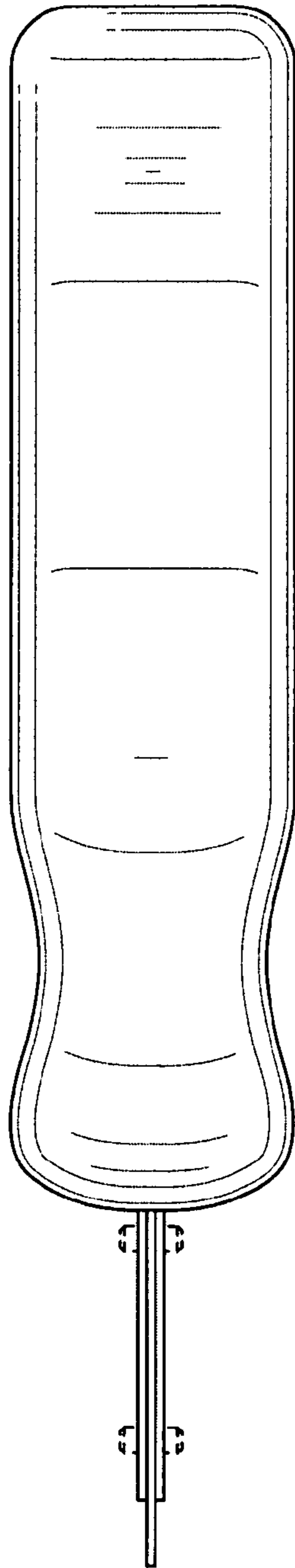


FIG. 6

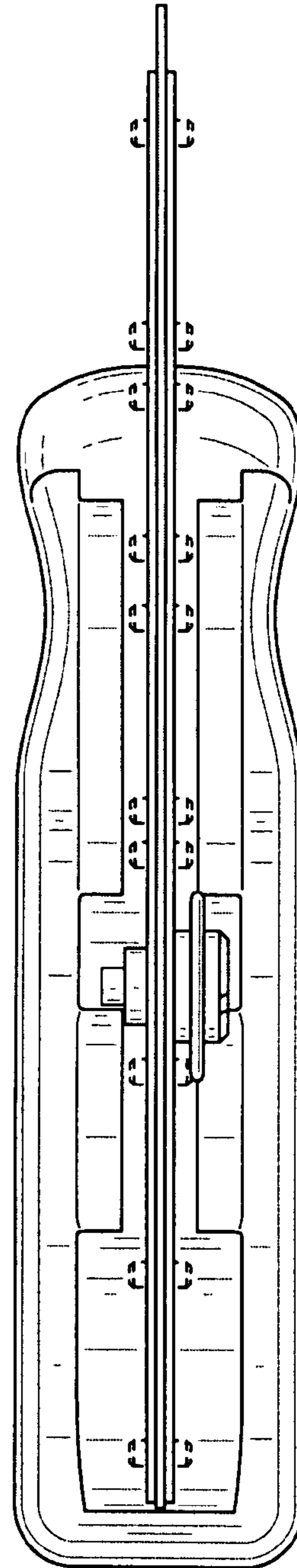


FIG. 7