



US00D649423S

(12) **United States Design Patent**
Robinson et al.

(10) **Patent No.:** **US D649,423 S**

(45) **Date of Patent:** **** Nov. 29, 2011**

(54) **T TOOL HANDLE**

(75) Inventors: **Glenn Robinson**, Coral Springs, FL
(US); **Michael Garcia**, Coral Springs,
FL (US)

(73) Assignee: **IBT Holdings LLC**, Deerfield Beach,
FL (US)

(**) Term: **14 Years**

(21) Appl. No.: **29/372,213**

(22) Filed: **Nov. 1, 2010**

(51) **LOC (9) Cl.** **08-04**

(52) **U.S. Cl.** **D8/83**

(58) **Field of Classification Search** D8/300,
D8/83, 84, 82, 14, 24, 107, 29; 16/110.1;
81/177.1-177.7, 30, 32, 478, 479, 468, 489

See application file for complete search history.

(56) **References Cited**

U.S. PATENT DOCUMENTS

661,253	A *	11/1900	Zimmerman	220/274
2,653,638	A *	9/1953	Nelson	30/120.2
3,025,994	A *	3/1962	Kaplan	220/274
D217,324	S *	4/1970	Michels	D8/29
3,651,718	A *	3/1972	Thomasian	81/480
4,926,721	A *	5/1990	Hsiao	81/177.4
5,056,381	A *	10/1991	Carmein	76/103
D448,633	S *	10/2001	Langlois	D8/14

D454,045	S *	3/2002	Rinner et al.	D8/107
D517,634	S *	3/2006	Nunez et al.	D21/789
D526,183	S *	8/2006	Jackson	D8/107
D557,584	S *	12/2007	Gao	D8/107
D563,763	S *	3/2008	Kelly	D8/319
D565,380	S *	4/2008	Rinner	D8/83
7,373,860	B1 *	5/2008	Rinner	81/177.1
D613,144	S *	4/2010	Lin	D8/83
D620,339	S *	7/2010	Pennington	D8/107
D636,956	S *	4/2011	Sgroi et al.	D32/40
7,942,253	B2 *	5/2011	Schneeman et al.	192/43.2

* cited by examiner

Primary Examiner — Paula Greene

(74) *Attorney, Agent, or Firm* — Dan De La Rosa

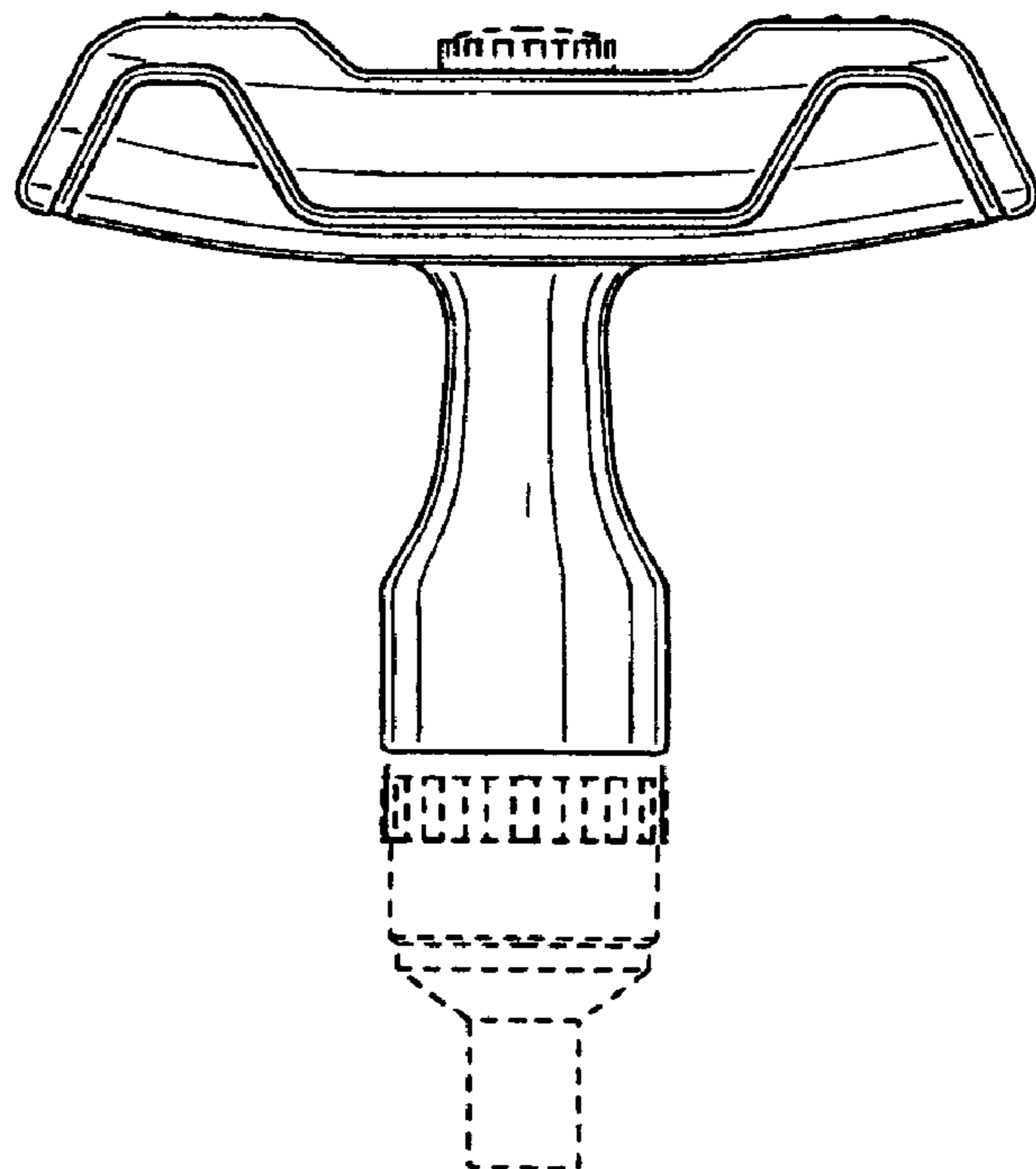
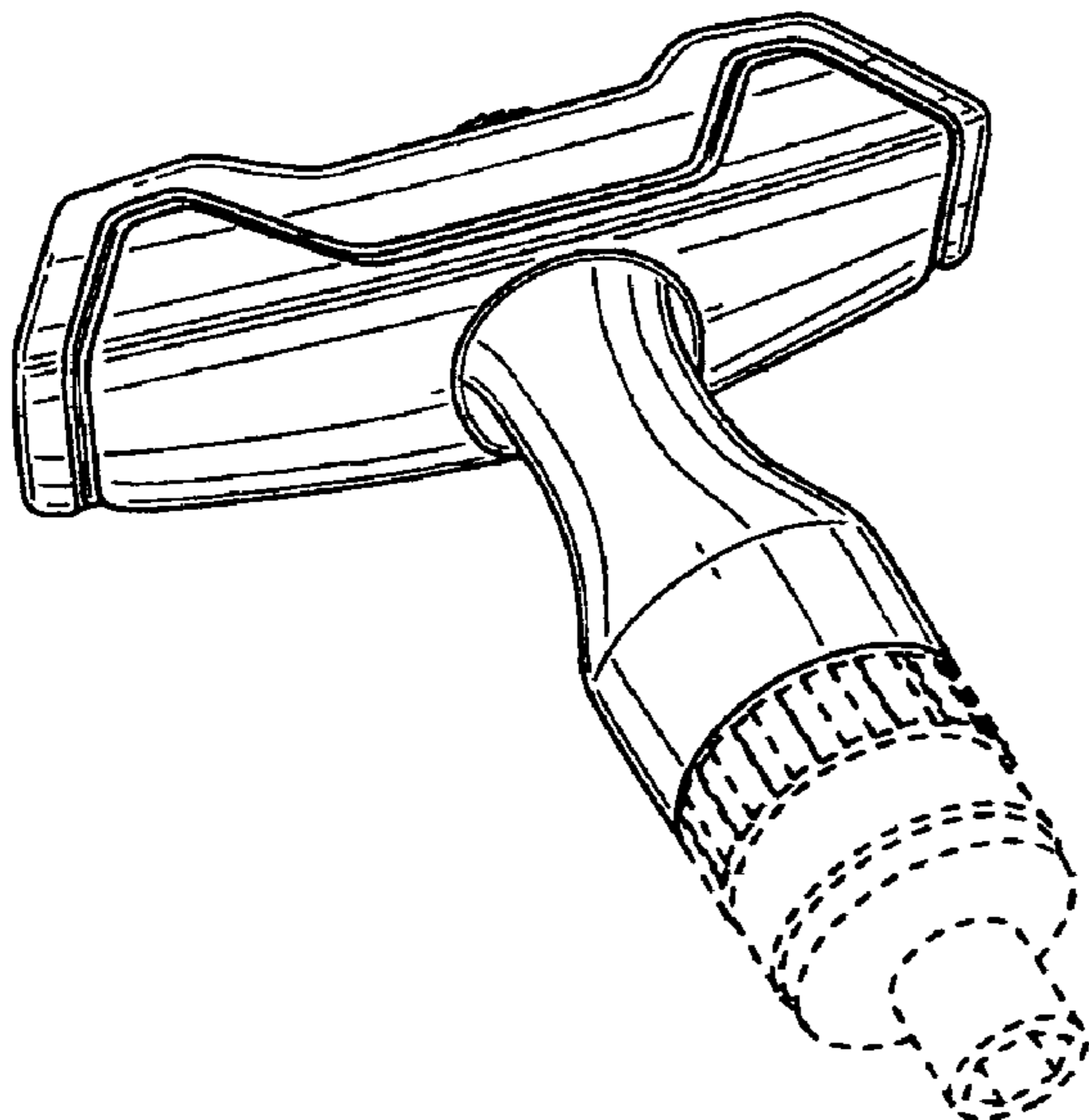
(57) **CLAIM**

The ornamental design for a T tool handle, as shown and described.

DESCRIPTION

FIG. 1 is a front perspective view of the T tool handle of the present invention showing my new design; FIG. 2 is a front side elevational view thereof; FIG. 3 is a back side elevational view thereof; FIG. 4 is a side elevational view thereof; FIG. 5 is another side elevational view thereof; FIG. 6 is a top plan view thereof; and, FIG. 7 is a bottom plan view thereof. The broken lines form no part of the claimed design.

1 Claim, 5 Drawing Sheets



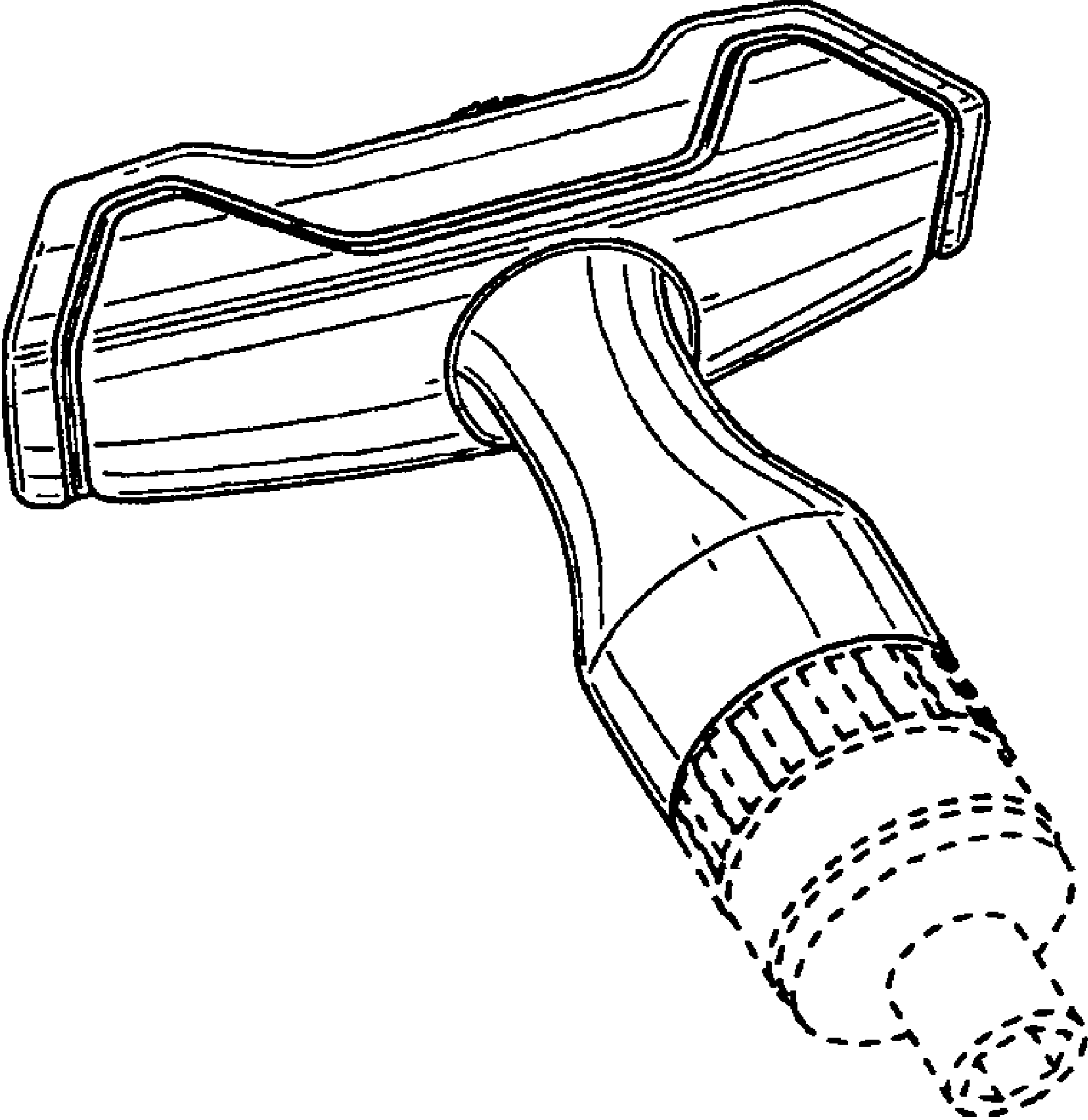


FIG. 1

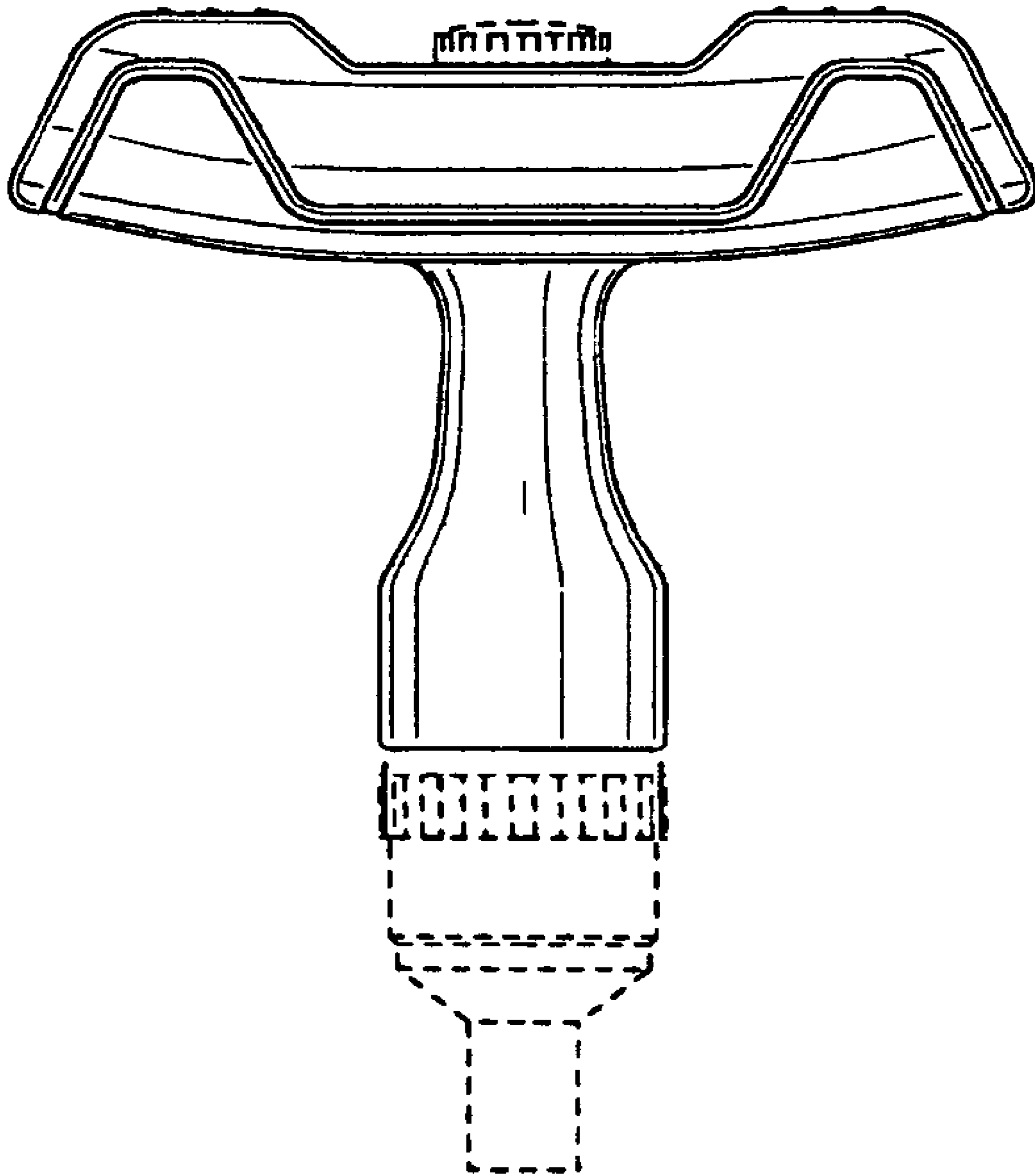


FIG. 2

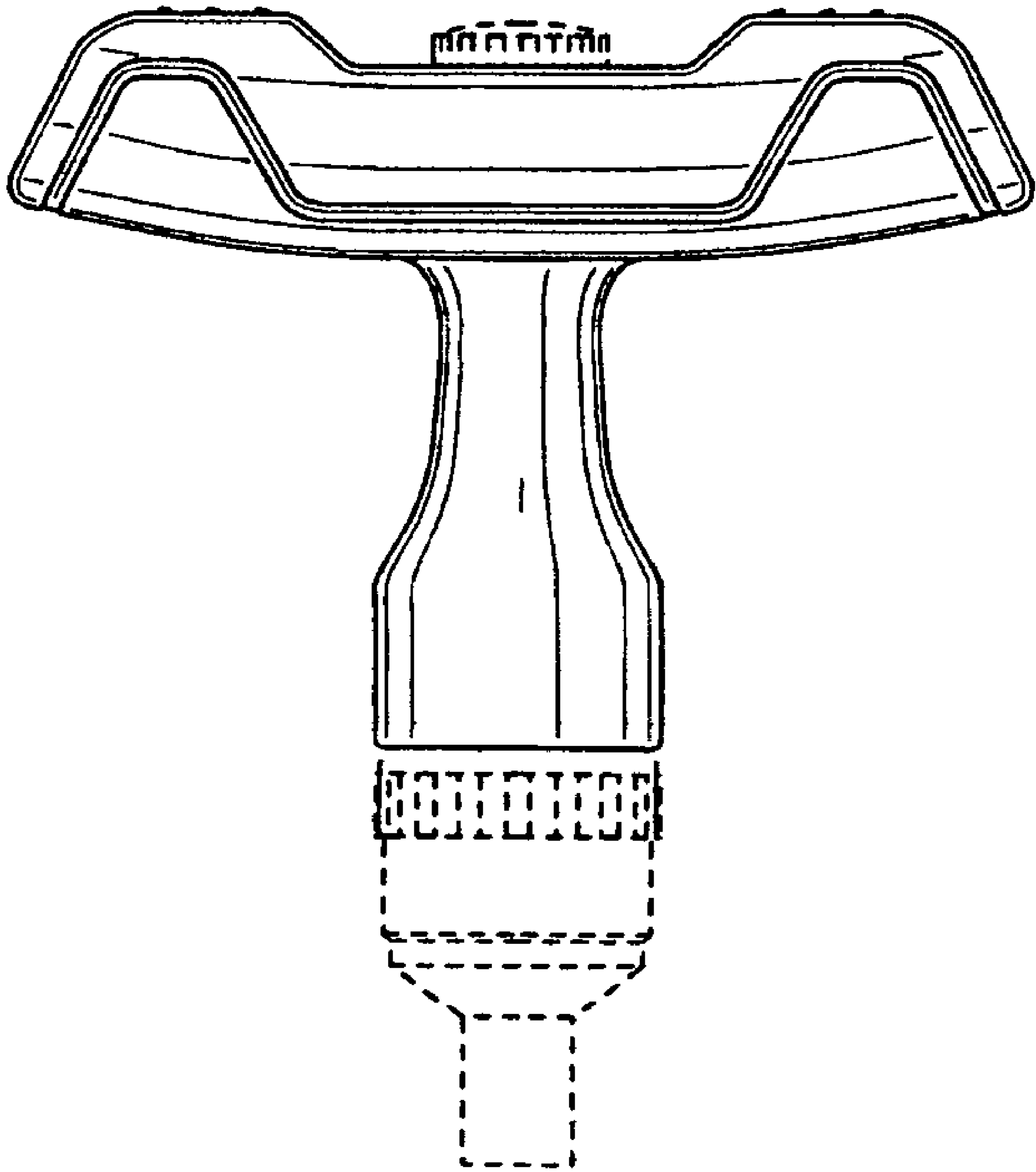


FIG. 3

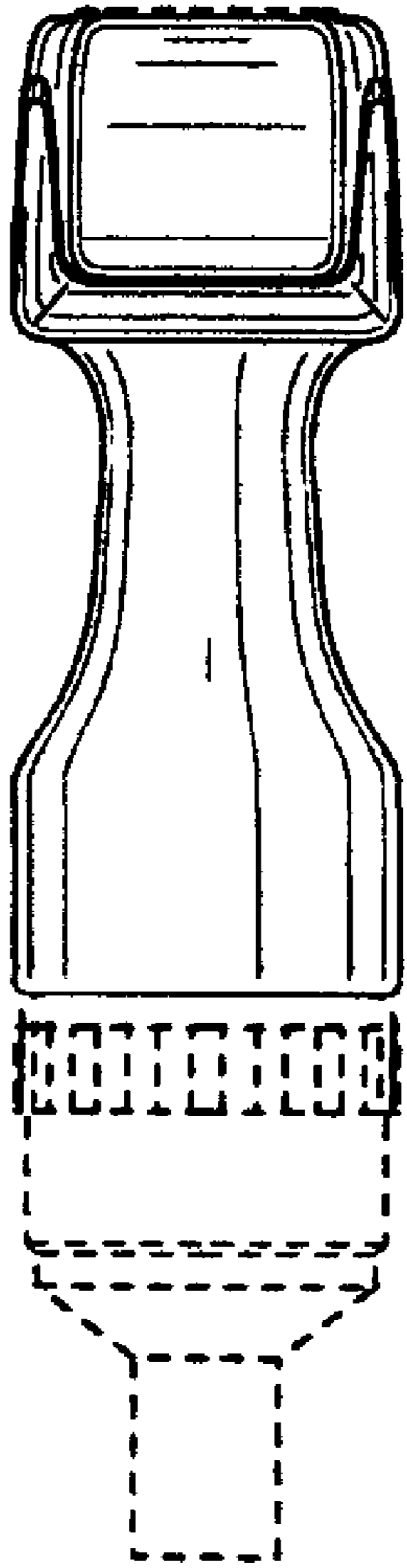


FIG. 4

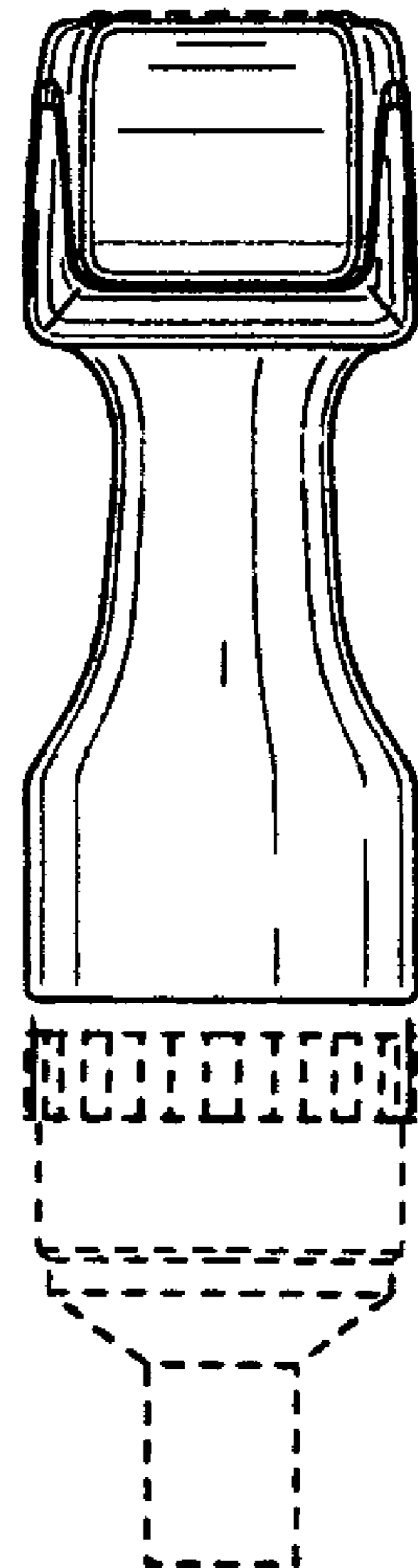


FIG. 5

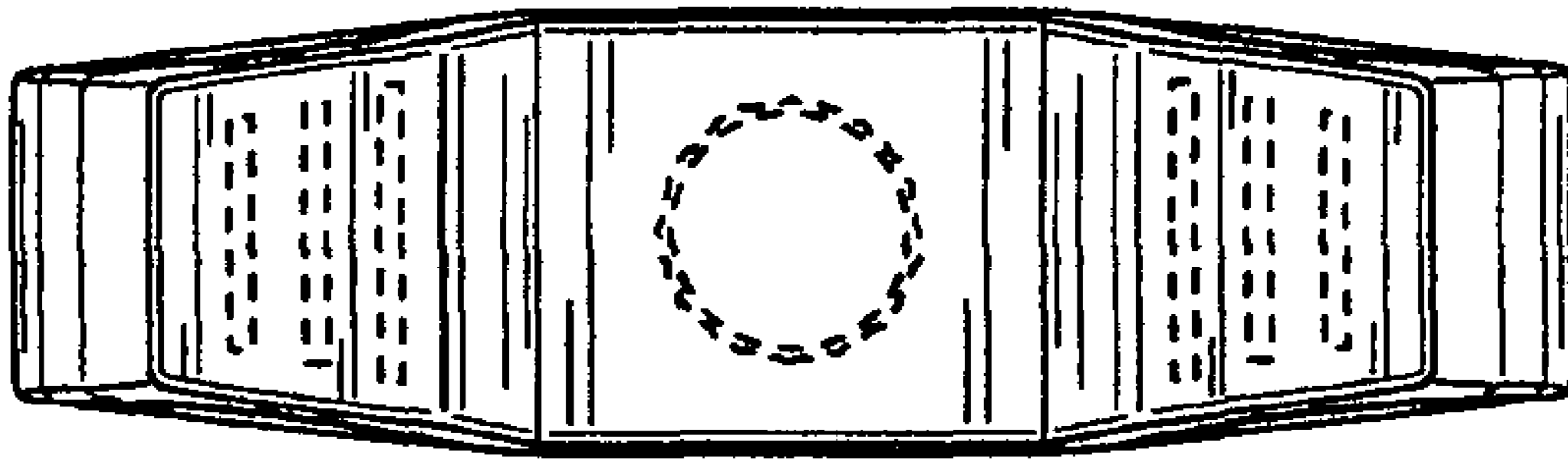


FIG. 6

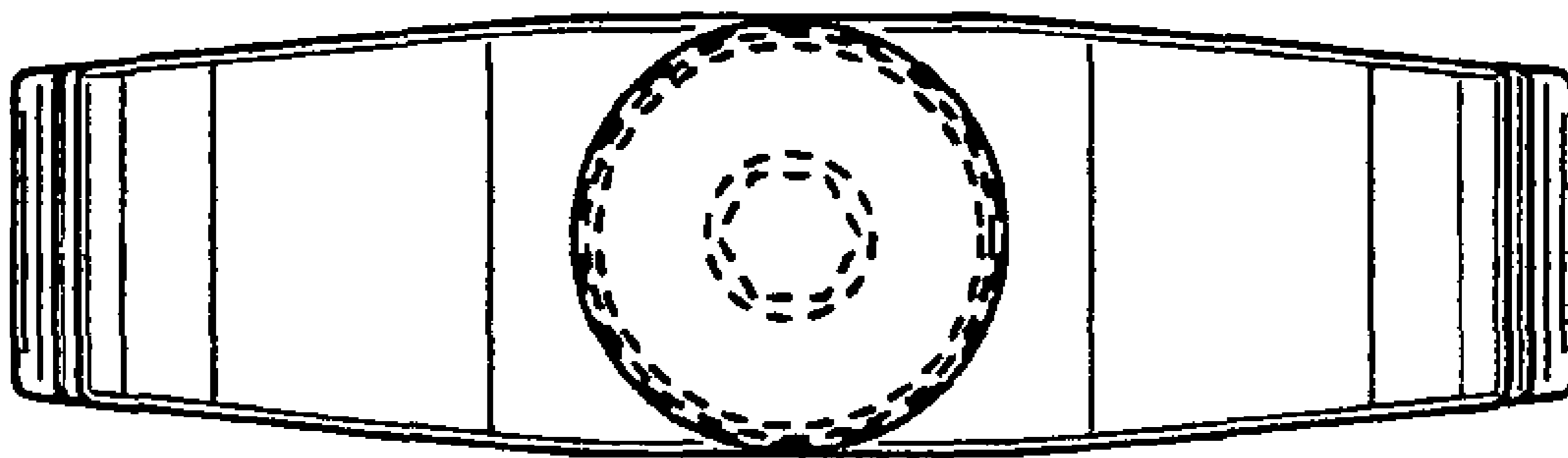


FIG. 7