

US00D649422S

(12) **United States Design Patent**  
**Hayakawa**

(10) **Patent No.:** **US D649,422 S**

(45) **Date of Patent:** **\*\* Nov. 29, 2011**

(54) **PORTABLE ELECTRIC JIGSAW**

(75) Inventor: **Naohiro Hayakawa, Anjo (JP)**

(73) Assignee: **Makita Corporation, Anjo-shi (JP)**

(\*\*) Term: **14 Years**

(21) Appl. No.: **29/347,733**

(22) Filed: **Apr. 28, 2010**

(30) **Foreign Application Priority Data**

Dec. 28, 2009 (JP) ..... 2009-30457

(51) **LOC (9) Cl.** ..... **08-03**

(52) **U.S. Cl.** ..... **D8/64**

(58) **Field of Classification Search** ..... D8/69,  
D8/68, 67, 66, 64, 61; 83/747, 699.21; 310/50;  
30/394, 393, 392, 391, 390, 377, 376; 173/216,  
173/217; 89/40.06, 41.19, 37.04, 33.04,  
89/191.01, 200-204; 124/67, 66, 74

See application file for complete search history.

(56) **References Cited**

**U.S. PATENT DOCUMENTS**

D339,276 S *	9/1993	Matsuoka et al. ....	D8/64
D404,274 S *	1/1999	Ogasawara et al. ....	D8/64
D409,469 S *	5/1999	Niwa et al. ....	D8/69
D414,094 S *	9/1999	Heun ..... ..	D8/64
D440,474 S *	4/2001	Heun ..... ..	D8/64
D451,356 S *	12/2001	Pretzell ..... ..	D8/64
D463,963 S *	10/2002	Metaxatos et al. ....	D8/64
D474,384 S *	5/2003	Andriolo ..... ..	D8/64
D476,871 S *	7/2003	Santarsiero et al. ....	D8/64
D484,381 S *	12/2003	Yamada et al. ....	D8/64
D486,711 S *	2/2004	Tam et al. ....	D8/64
D519,804 S *	5/2006	Wu ..... ..	D8/64
D521,335 S *	5/2006	Parel et al. ....	D8/64

D523,309 S *	6/2006	Schmid ..... ..	D8/64
D525,097 S *	7/2006	Tsang et al. ....	D8/64
D560,455 S *	1/2008	Yamamoto et al. ....	
D578,366 S *	10/2008	Van Wambeke ..... ..	D8/64
D581,234 S *	11/2008	Van Wambeke ..... ..	D8/64
D581,760 S *	12/2008	Van Wambeke ..... ..	D8/64
D581,761 S *	12/2008	Van Wambeke ..... ..	D8/64
D584,589 S *	1/2009	Van Wambeke ..... ..	D8/64
D592,924 S *	5/2009	Van Wambeke ..... ..	D8/64
D592,925 S *	5/2009	Van Wambeke ..... ..	D8/64
2002/0124419 A1 *	9/2002	Hirabayashi ..... ..	30/329
2003/0167641 A1 *	9/2003	Teng ..... ..	30/337
2003/0196338 A1 *	10/2003	Eto et al. ....	30/392

\* cited by examiner

*Primary Examiner* — Austin Murphy

(74) *Attorney, Agent, or Firm* — Oliff & Berridge, PLC

(57) **CLAIM**

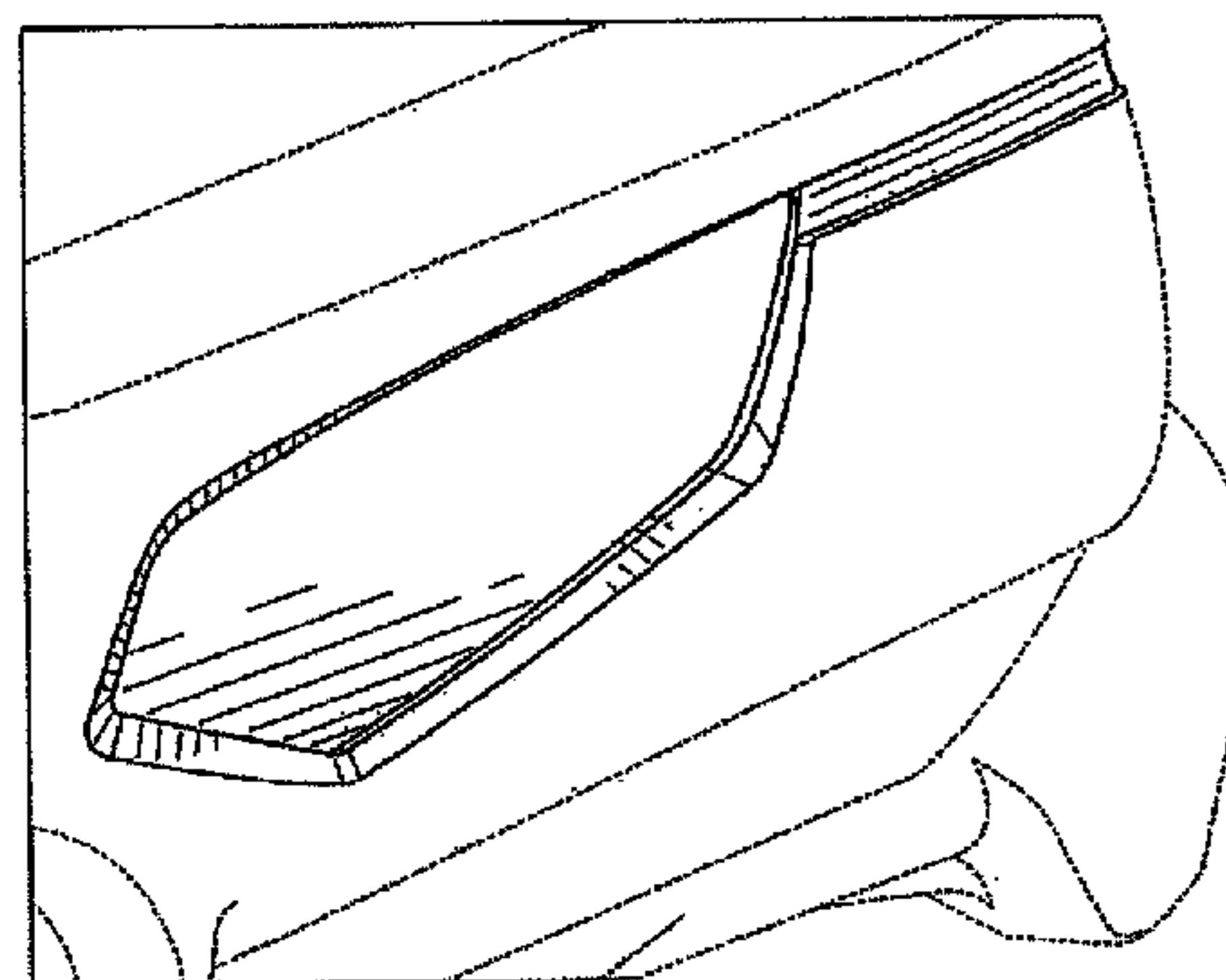
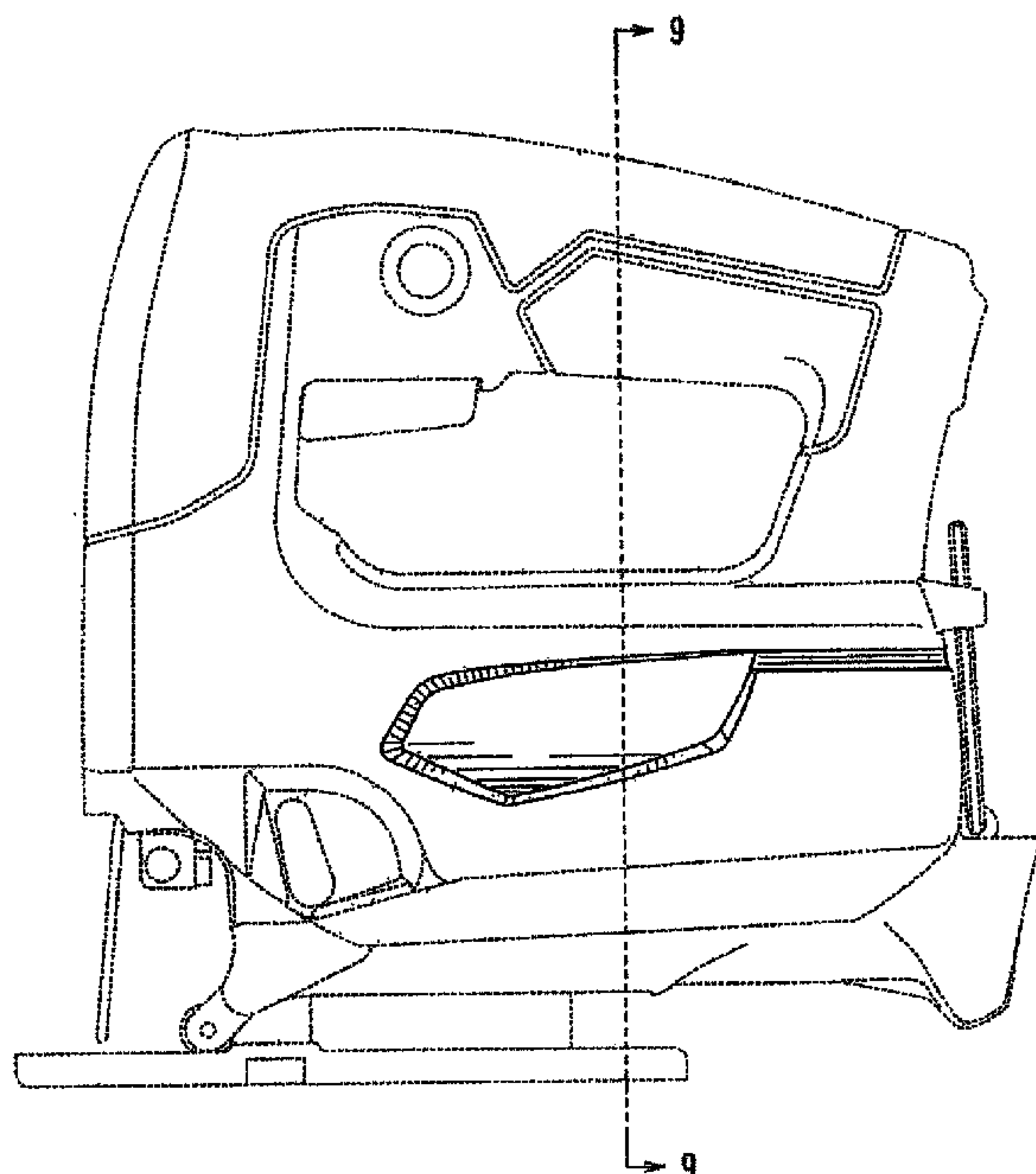
The ornamental design for a portable electric jigsaw, as shown and described.

**DESCRIPTION**

FIG. 1 is a perspective view of a portable electric jigsaw showing our new design;  
 FIG. 2 is a front elevation view thereof;  
 FIG. 3 is a rear elevation view thereof;  
 FIG. 4 is a left side elevation view thereof;  
 FIG. 5 is a right side elevation view thereof;  
 FIG. 6 is a top plan view thereof;  
 FIG. 7 is a bottom plan view thereof;  
 FIG. 8 is a partially enlarged view thereof taken along lines 8-8 in FIG. 1; and,  
 FIG. 9 is a cross-sectional view thereof taken along lines 9-9 in FIG. 2.

The broken lines depict environmental subject matter only and form no part of the claimed design.

**1 Claim, 7 Drawing Sheets**



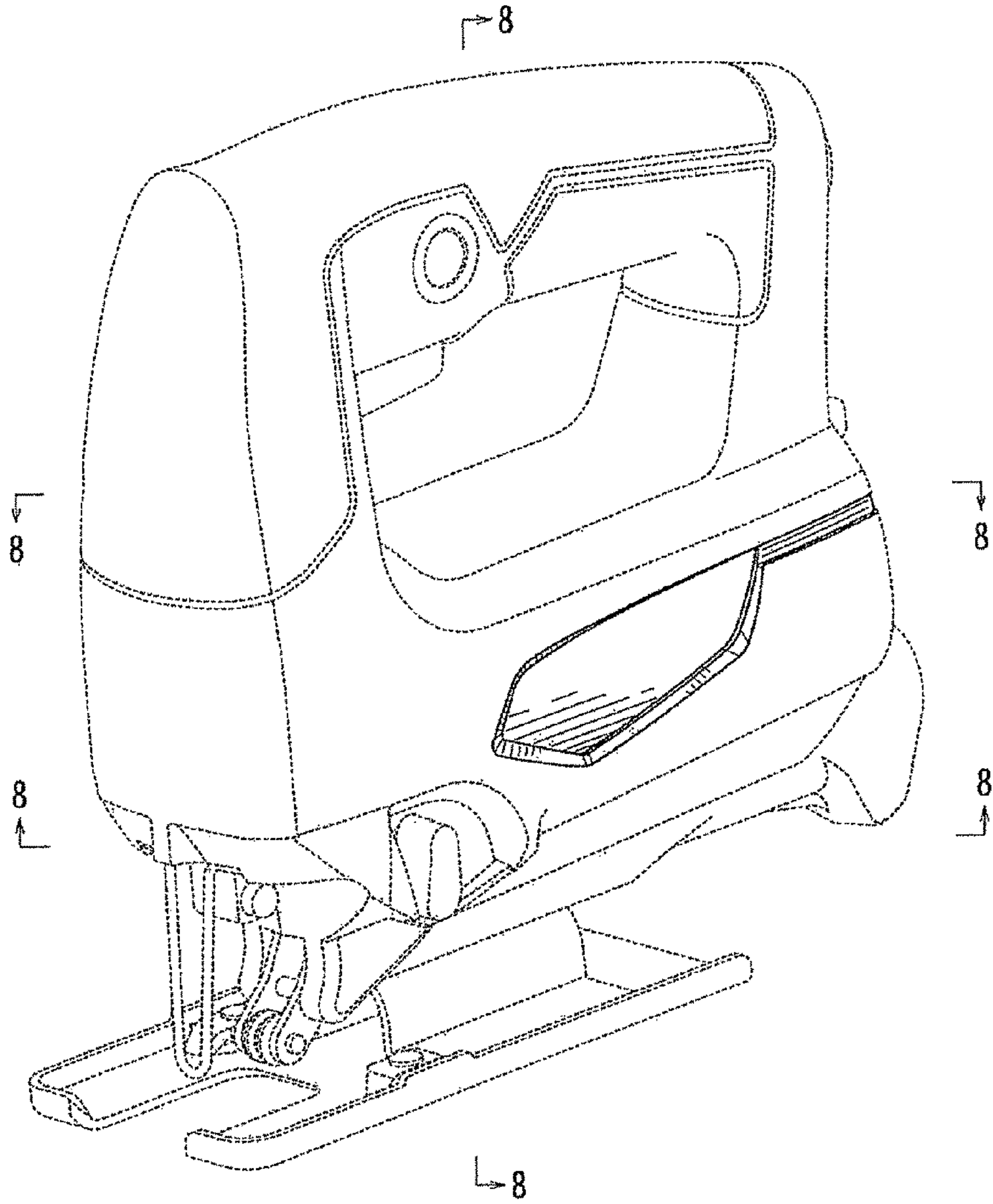


FIG. 1

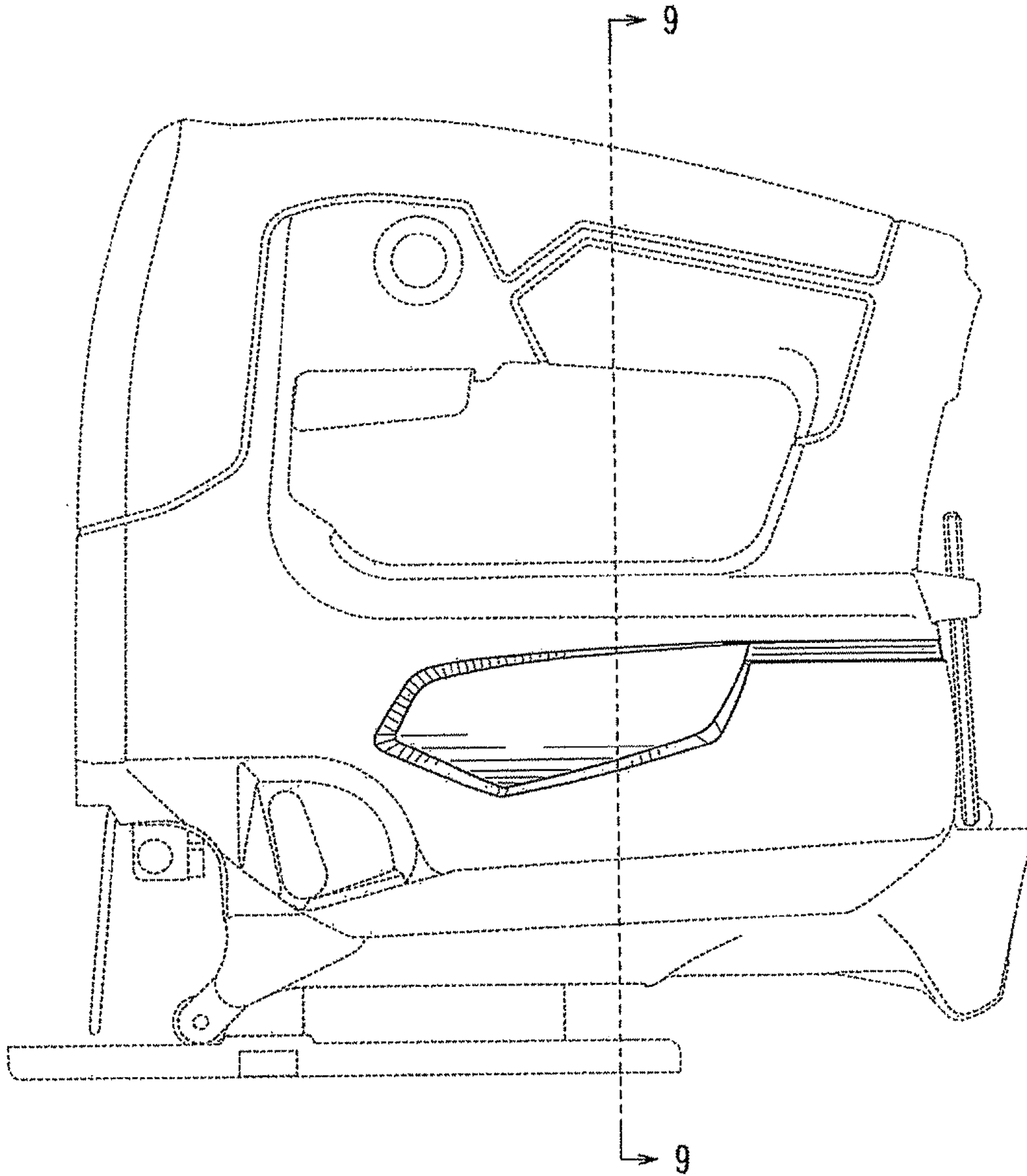


FIG. 2



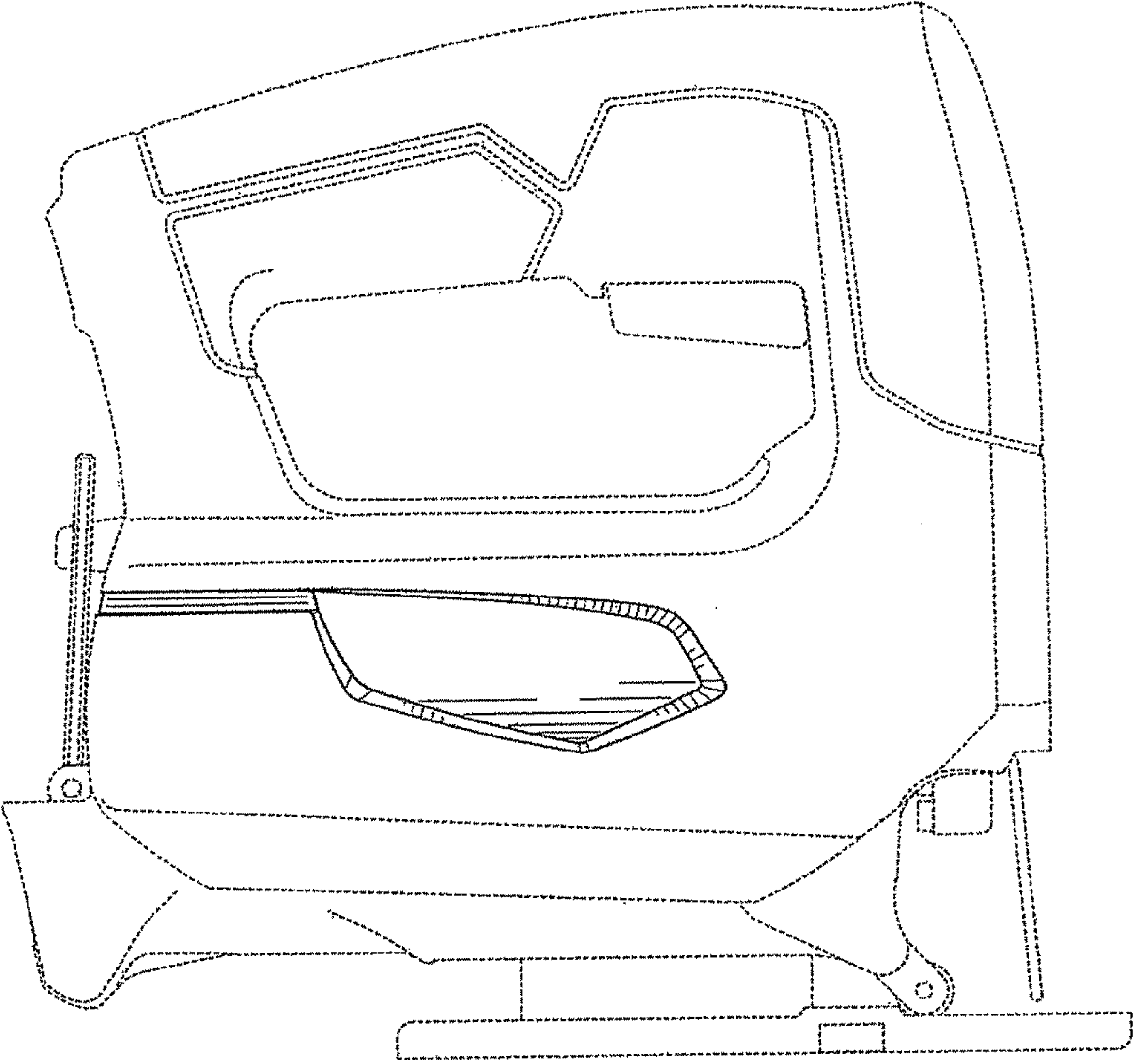


FIG. 3

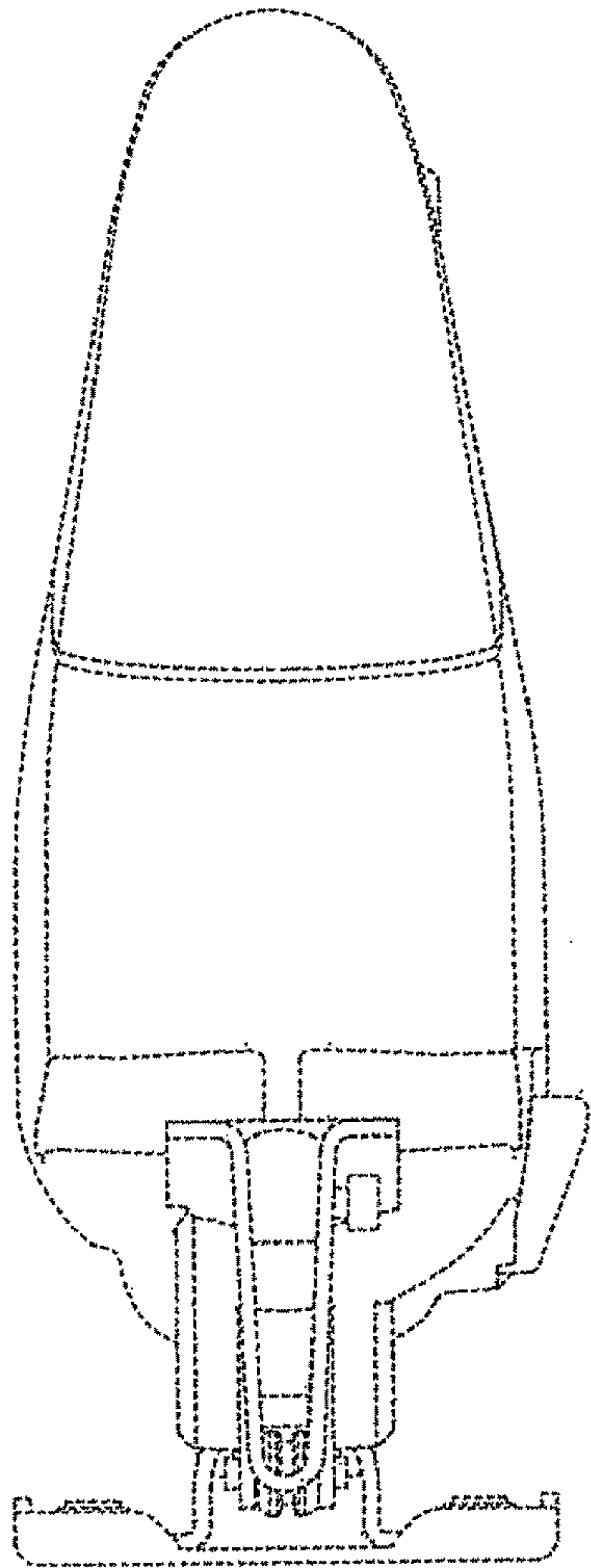


FIG. 4

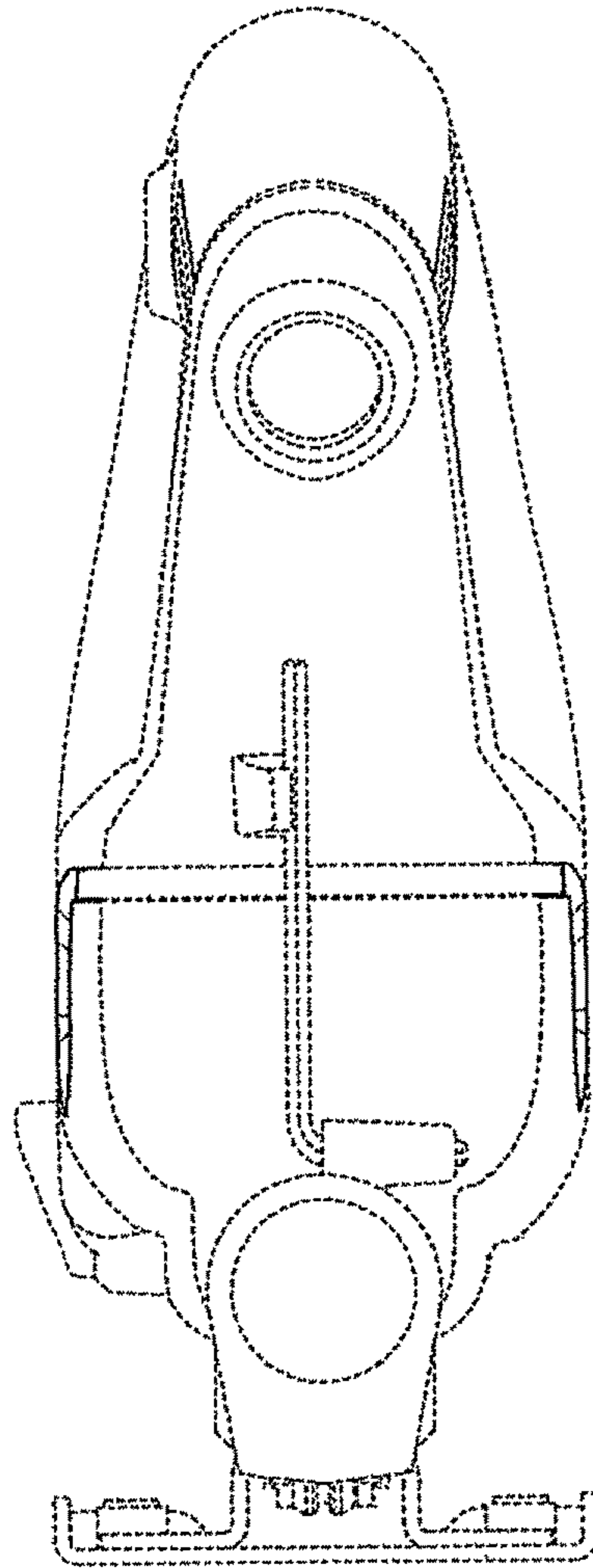


FIG. 5

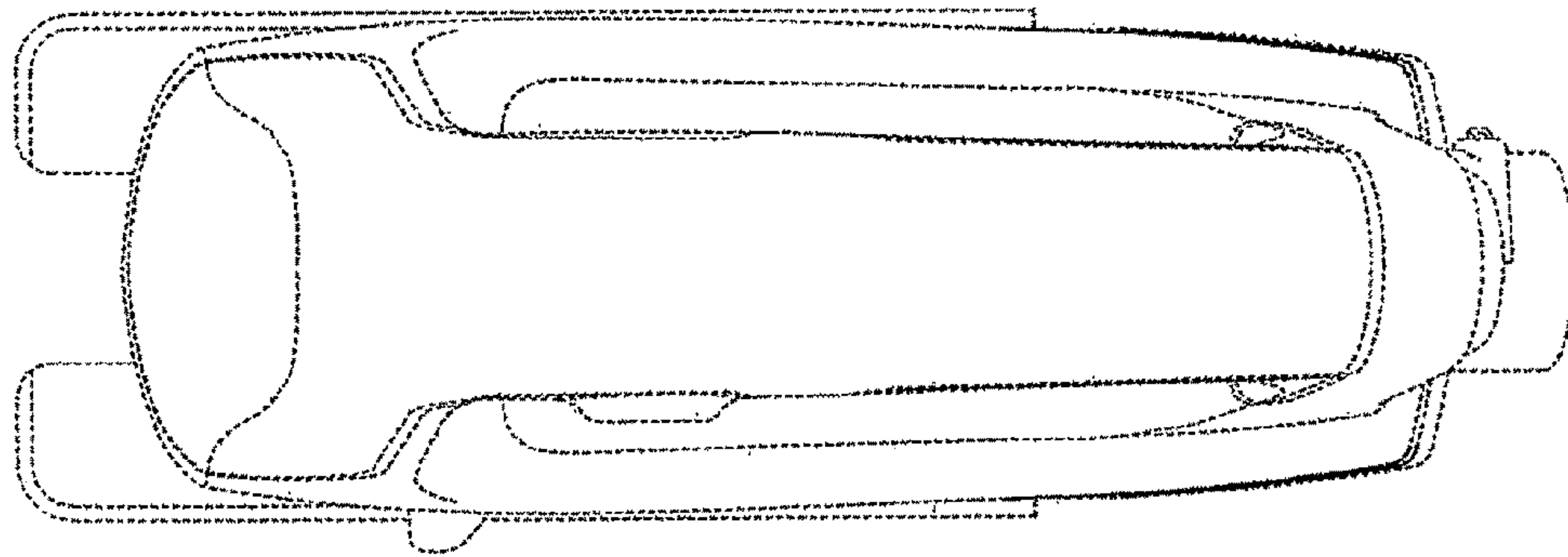


FIG. 6

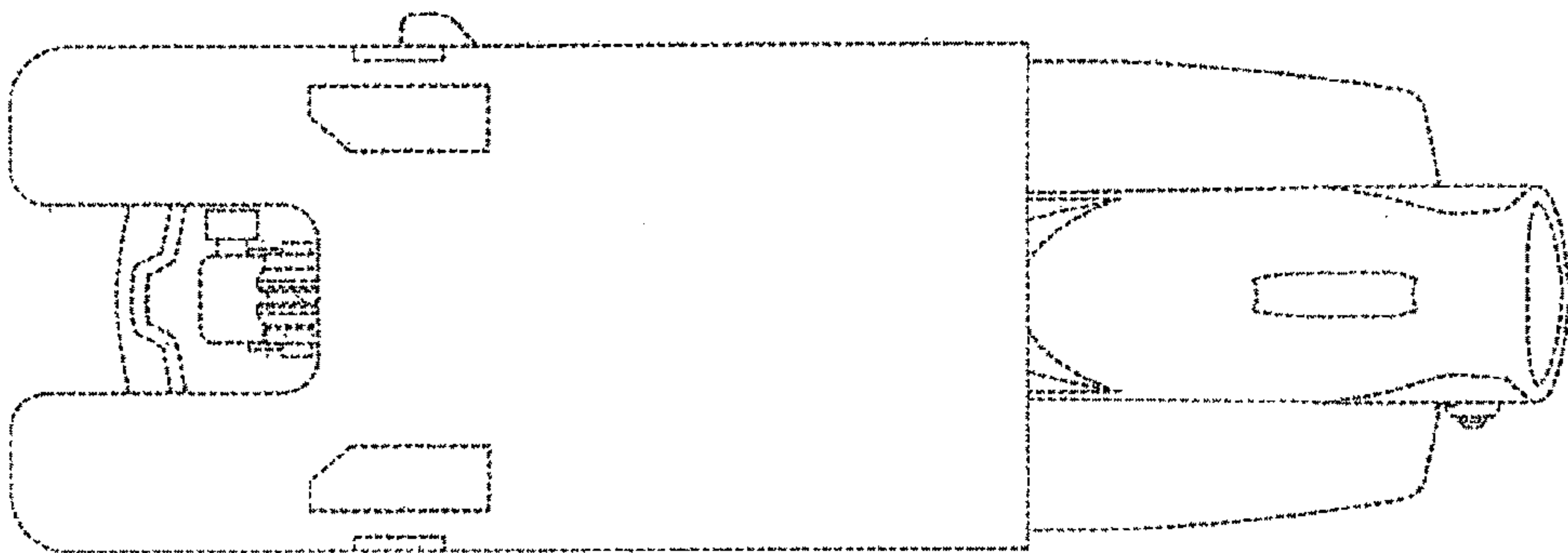


FIG. 7

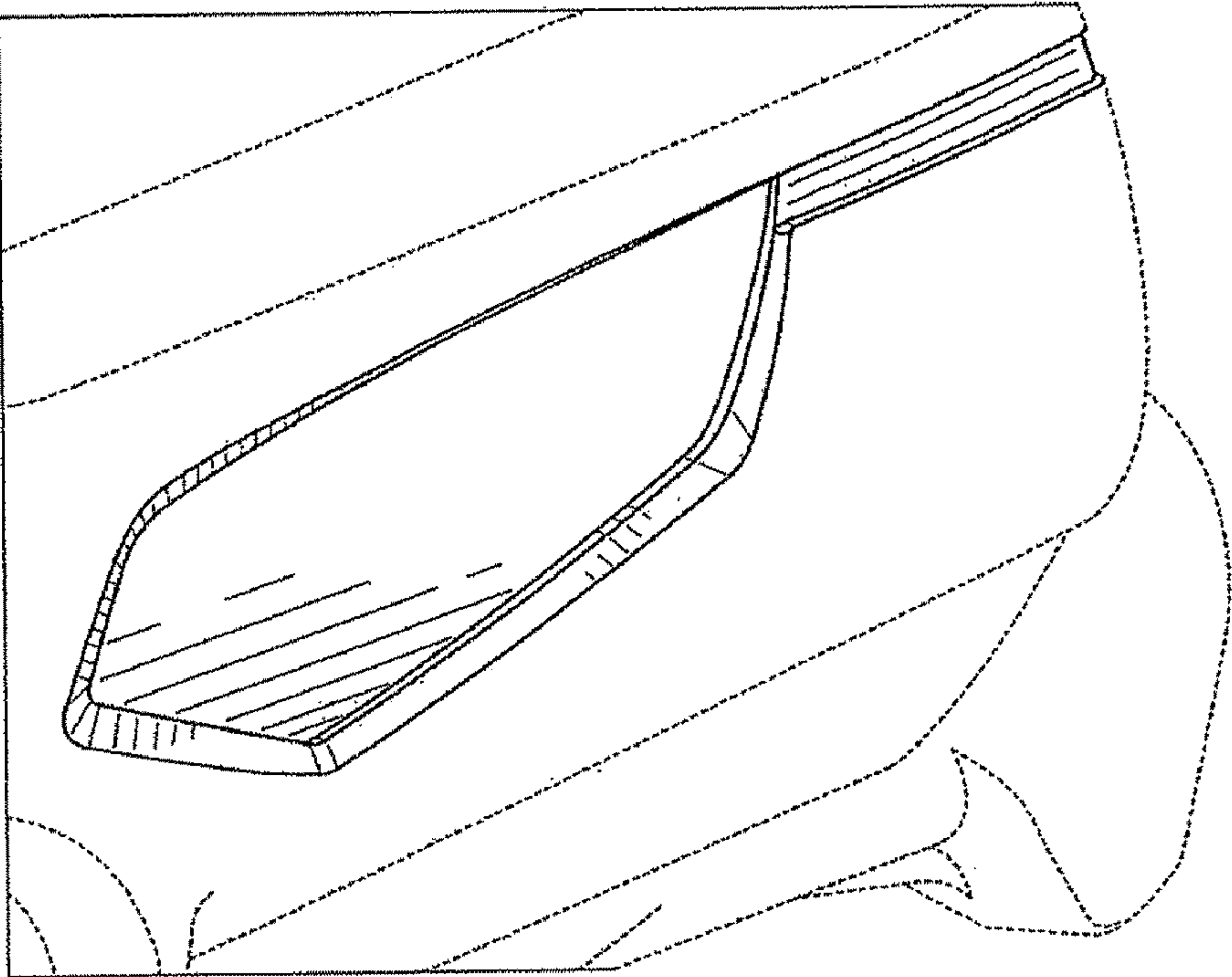


FIG. 8

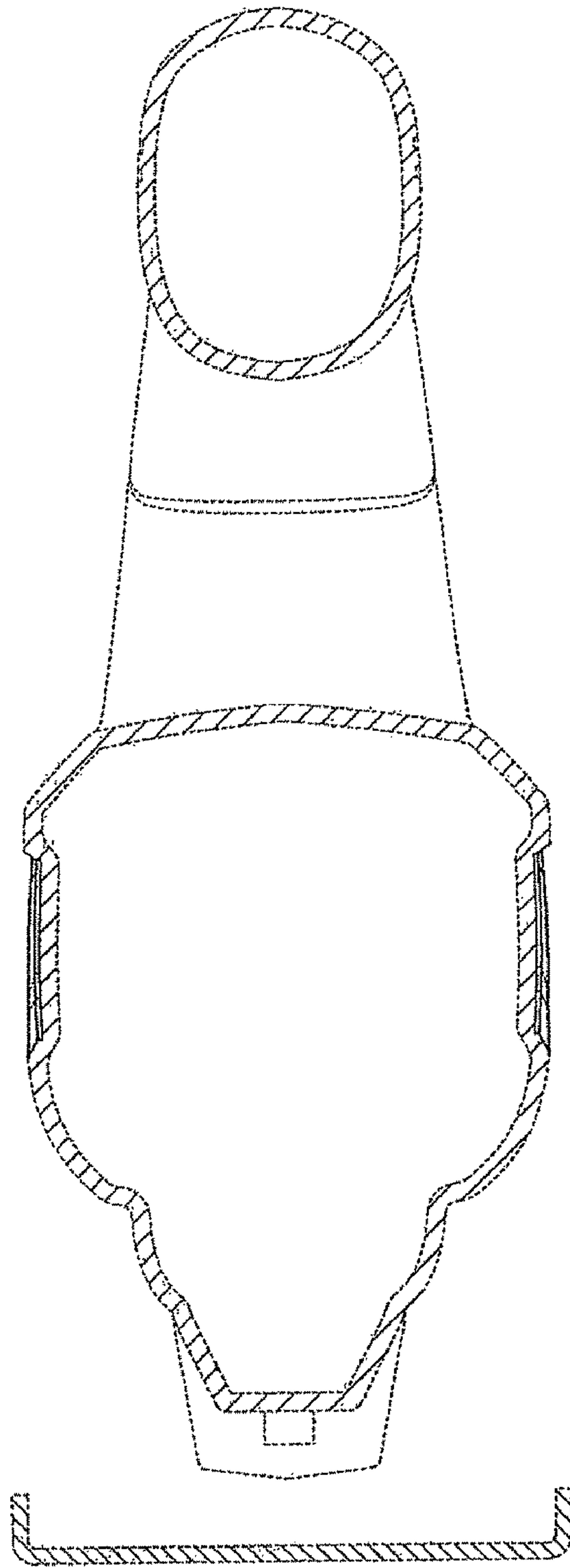


FIG. 9