

US00D649420S

(12) **United States Design Patent**
Cunningham et al.

(10) **Patent No.:** **US D649,420 S**

(45) **Date of Patent:** **** Nov. 29, 2011**

(54) **SCISSORS**

(75) Inventors: **Daniel Cunningham**, Edgerton, WI (US); **Colin Roberts**, Stevens Point, WI (US); **Daniel J. Lipscomb**, Prairie du Sac, WI (US)

(73) Assignee: **Fiskars Brands, Inc.**, Madison, WI (US)

(**) Term: **14 Years**

(21) Appl. No.: **29/389,149**

(22) Filed: **Apr. 7, 2011**

(51) **LOC (9) Cl.** **08-05**

(52) **U.S. Cl.** **D8/57; D8/5**

(58) **Field of Classification Search** D8/99, D8/98, 93, 63, 61, 58, 57, 56, 55, 53, 5, 107, D8/104, 105; D7/693; D24/148, 149; D21/532; 7/135; 606/45, 46, 48, 174; 30/349, 260, 30/123

See application file for complete search history.

(56) **References Cited**

U.S. PATENT DOCUMENTS

D342,652	S	*	12/1993	Wensley et al.	D8/5
5,297,343	A		3/1994	Melter et al.		
D354,890	S		1/1995	Concari et al.		
D359,427	S		6/1995	Birkholz		
D369,531	S		5/1996	Birkholz		
D377,588	S		1/1997	Birkholz		
D419,043	S	*	1/2000	Staton	D8/5
D433,888	S	*	11/2000	Choi	D8/5
D457,402	S	*	5/2002	Heck et al.	D8/5
6,643,936	B2		11/2003	Carlson et al.		
D523,709	S	*	6/2006	Knox	D8/5

D537,309	S	*	2/2007	Wang	D8/52
D547,141	S	*	7/2007	Shan	D8/5
D557,086	S	*	12/2007	Lipscomb et al.	D8/5
D600,092	S		9/2009	Peterson et al.		
D628,031	S	*	11/2010	Stokes et al.	D8/5
D628,032	S	*	11/2010	Stokes et al.	D8/5
D630,067	S	*	1/2011	Block et al.	D8/5
D640,106	S	*	6/2011	Molina et al.	D8/57
D642,032	S	*	7/2011	Molina et al.	D8/57
D642,035	S	*	7/2011	Molina et al.	D8/57

OTHER PUBLICATIONS

Fiskars Craft Products 2005 catalog, pp. 10-12 and 100.
U.S. Appl. No. 29/388,808, filed Apr. 1, 2011, Roberts et al., Entire application.

* cited by examiner

Primary Examiner — Austin Murphy

(74) *Attorney, Agent, or Firm* — Foley & Lardner LLP

(57) **CLAIM**

We claim the ornamental design for a set of scissors, as shown and described.

DESCRIPTION

FIG. 1 is a perspective view of a set of scissors showing our new design;

FIG. 2 is a right side elevational view thereof;

FIG. 3 is a left side elevational view thereof;

FIG. 4 is a front elevational view thereof;

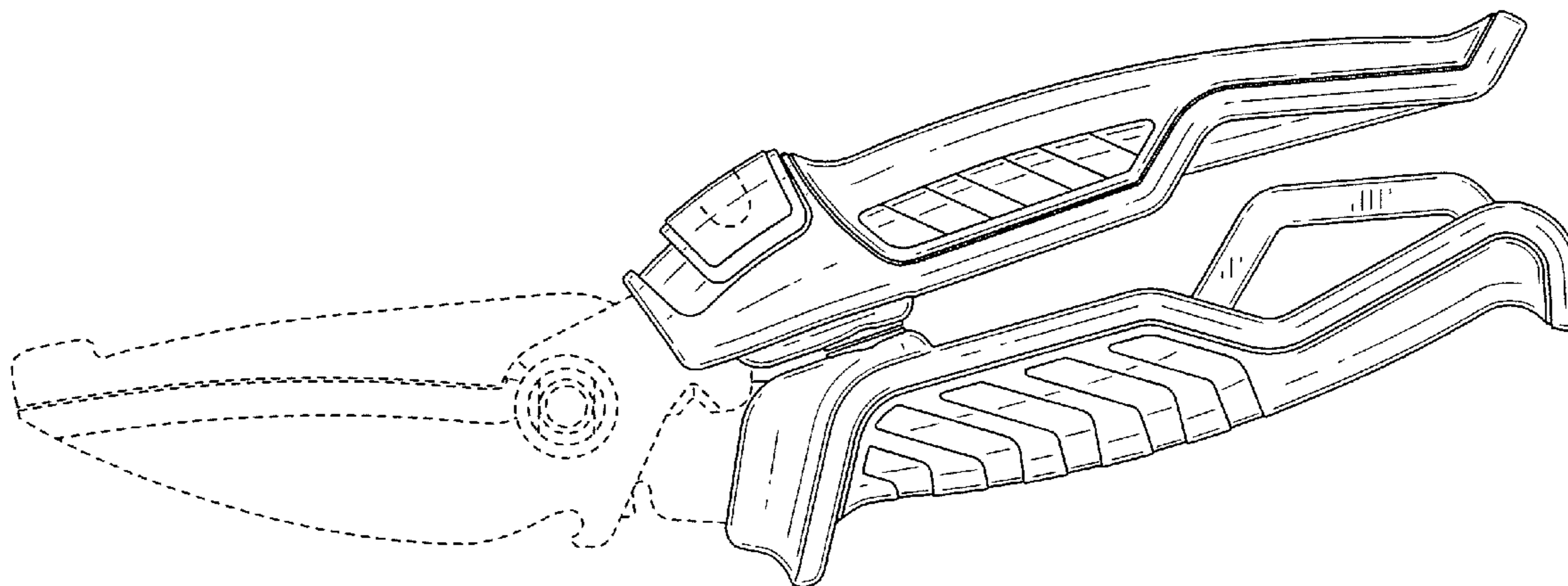
FIG. 5 is a rear elevational view thereof;

FIG. 6 is a top plan view thereof; and,

FIG. 7 is a bottom plan view thereof.

The broken lines shown are for illustrative purposes only and form no part of the claimed design.

1 Claim, 5 Drawing Sheets



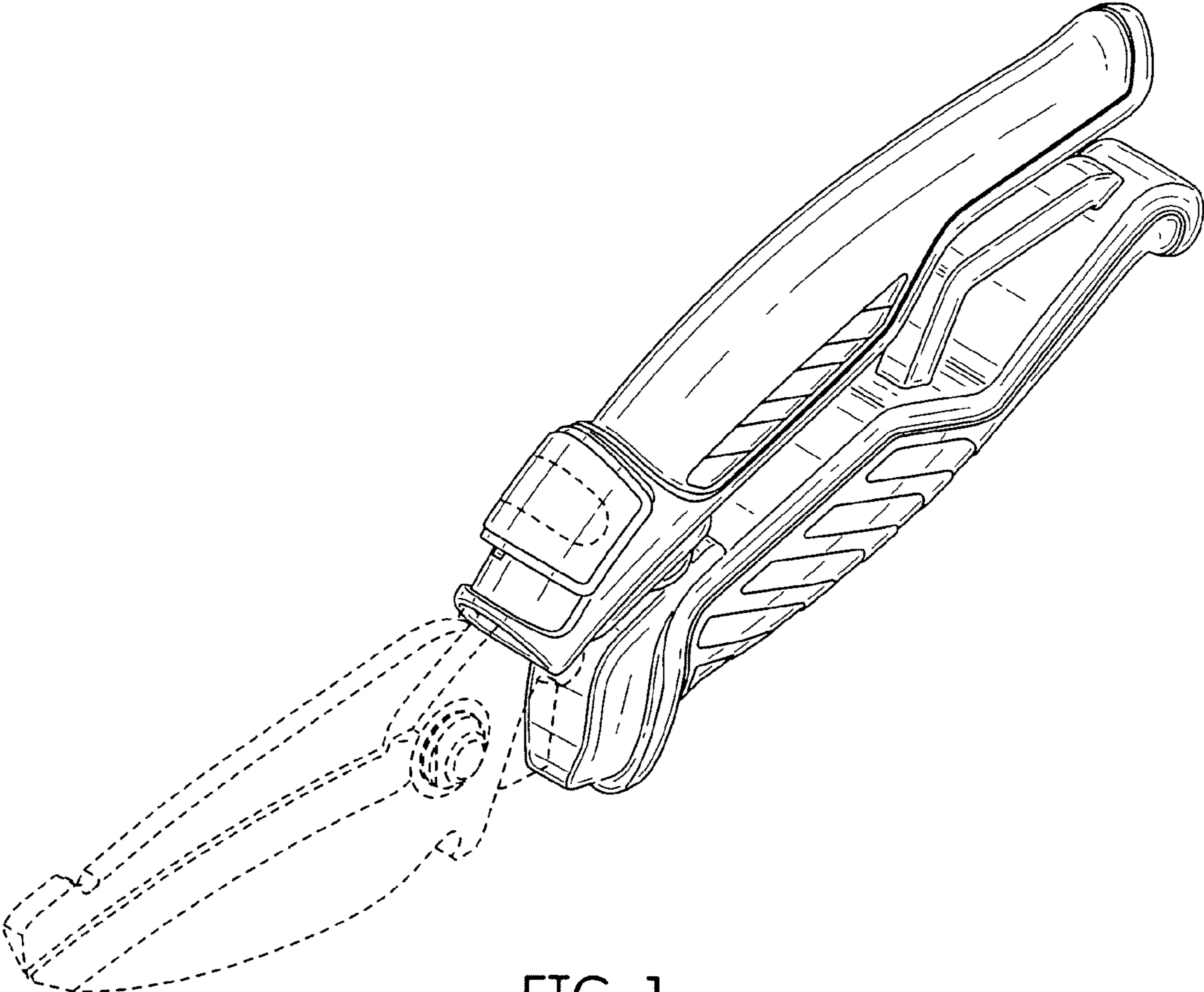


FIG. 1

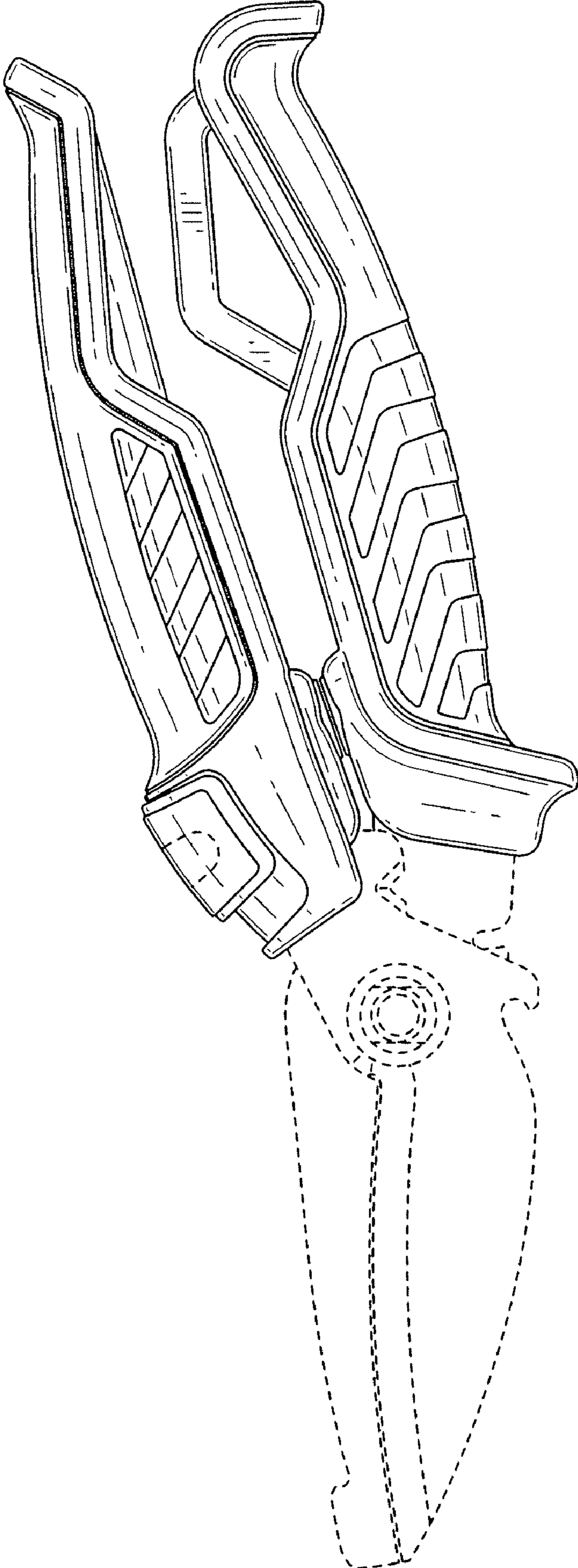


FIG. 2

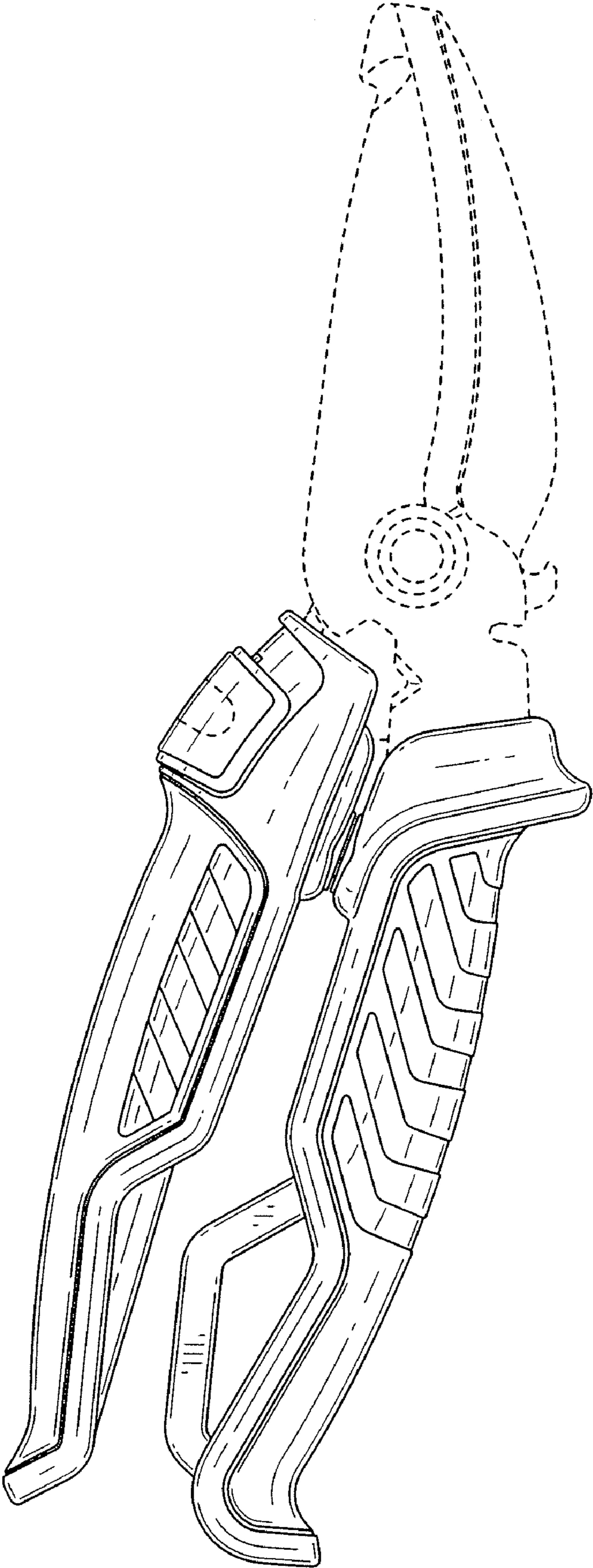


FIG. 3

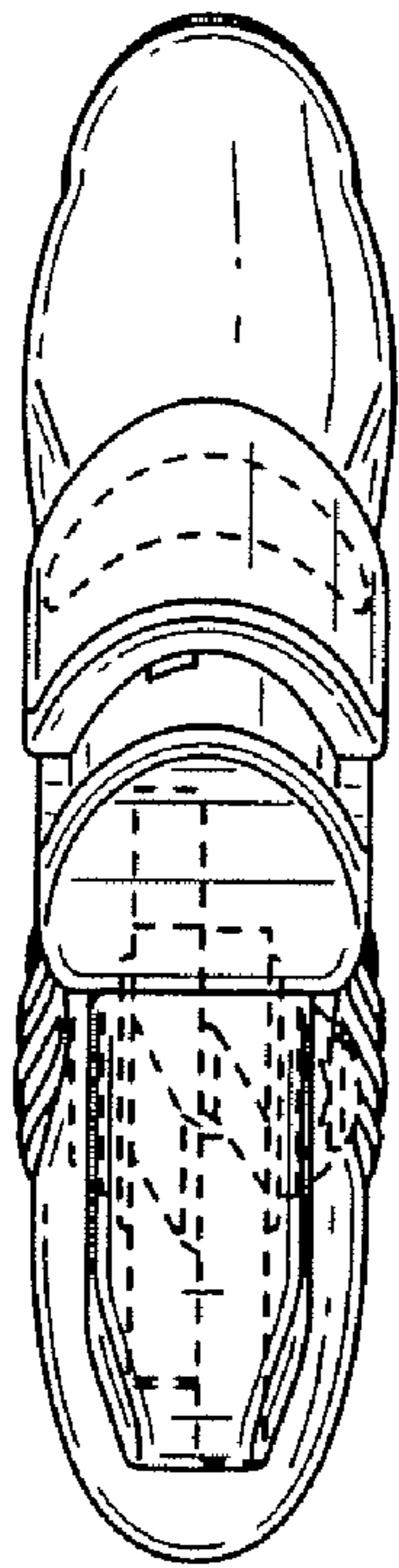


FIG. 4

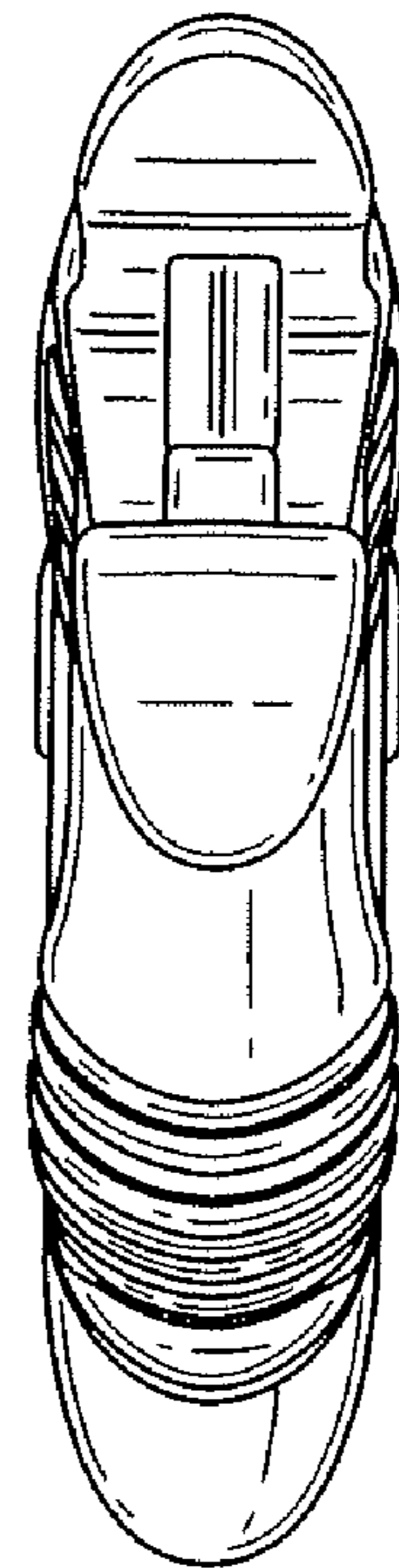


FIG. 5

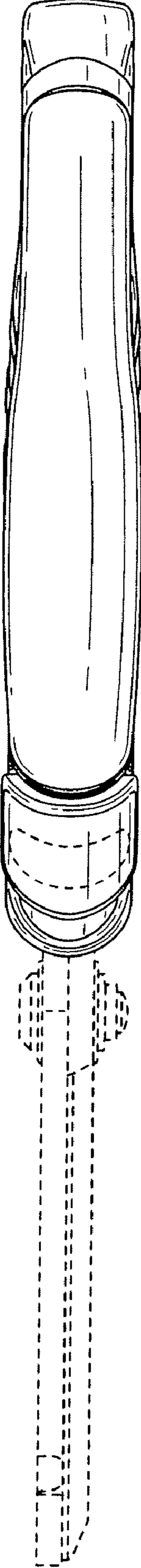


FIG. 6

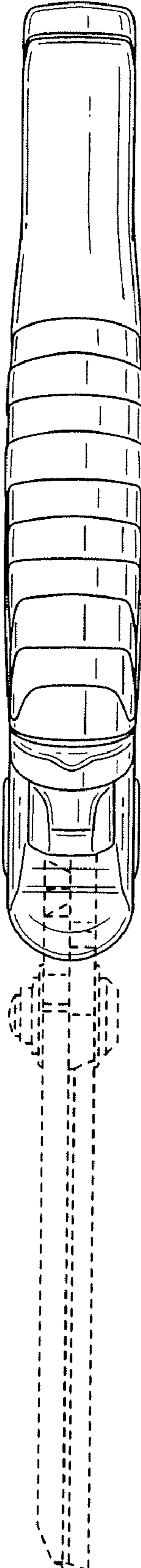


FIG. 7