



US00D649417S

(12) **United States Design Patent**
Gresham et al.

(10) **Patent No.:** **US D649,417 S**

(45) **Date of Patent:** **** *Nov. 29, 2011**

(54) **SOCKET**

(76) Inventors: **Ian Lyle Gresham**, Baltimore, MD
(US); **Scott Evans**, Winchester, VA (US)

(*) Notice: This patent is subject to a terminal disclaimer.

(**) Term: **14 Years**

(21) Appl. No.: **29/362,261**

(22) Filed: **May 21, 2010**

(51) **LOC (9) Cl.** **08-05**

(52) **U.S. Cl.** **D8/29**

(58) **Field of Classification Search** D8/21-29;
81/58.3-59.16, 177.1, 177.85, 121.1, 124.3,
81/165-170, 110.1, 176.2, 124.6, 176.1,
81/176.15, 177.2; 16/110.1; D15/144.1;
219/75, 227, 229, 121.16, 121.18
See application file for complete search history.

(56) **References Cited**

U.S. PATENT DOCUMENTS

1,416,461	A	5/1922	Hance	
1,658,886	A	2/1928	Dickey	
2,697,370	A *	12/1954	Brooks	81/58
2,872,004	A	2/1959	Barker et al.	
4,420,995	A	12/1983	Roberts	
4,800,786	A	1/1989	Arnold et al.	
4,825,732	A	5/1989	Arnold	
4,836,059	A	6/1989	Arnold	
4,936,170	A	6/1990	Zumeta	
4,947,713	A	8/1990	Arnold	
4,982,627	A	1/1991	Johnson	
5,031,488	A	7/1991	Zumeta	
D319,562	S	9/1991	Ballard	
5,053,440	A	10/1991	Schueler et al.	
5,074,174	A	12/1991	Kim	
5,079,978	A	1/1992	Kupfer	
5,140,875	A *	8/1992	Kim	81/63.1
5,213,347	A	5/1993	Rulon et al.	
D359,669	S	6/1995	Splingaire	

5,422,383	A	6/1995	Takahashi et al.	
5,476,024	A	12/1995	Hsieh	
5,489,639	A	2/1996	Faber et al.	
D374,172	S	10/1996	Frattarola	
D398,823	S *	9/1998	Hsieh	D8/29
5,819,606	A	10/1998	Arnold	
5,832,792	A	11/1998	Hsieh	
5,848,561	A	12/1998	Hsieh	
5,901,620	A	5/1999	Arnold	
5,910,197	A	6/1999	Chaconas	
5,970,552	A	10/1999	Kwiecien et al.	
D425,770	S	5/2000	Hsieh	
6,152,826	A	11/2000	Profeta et al.	

(Continued)

OTHER PUBLICATIONS

Sears Catalog, Sep. 1, 1990, p. 25.

(Continued)

Primary Examiner — Raphael Barkai

Assistant Examiner — Randall Gholson

(74) *Attorney, Agent, or Firm* — Nelson Mullins Riley & Scarborough, LLP

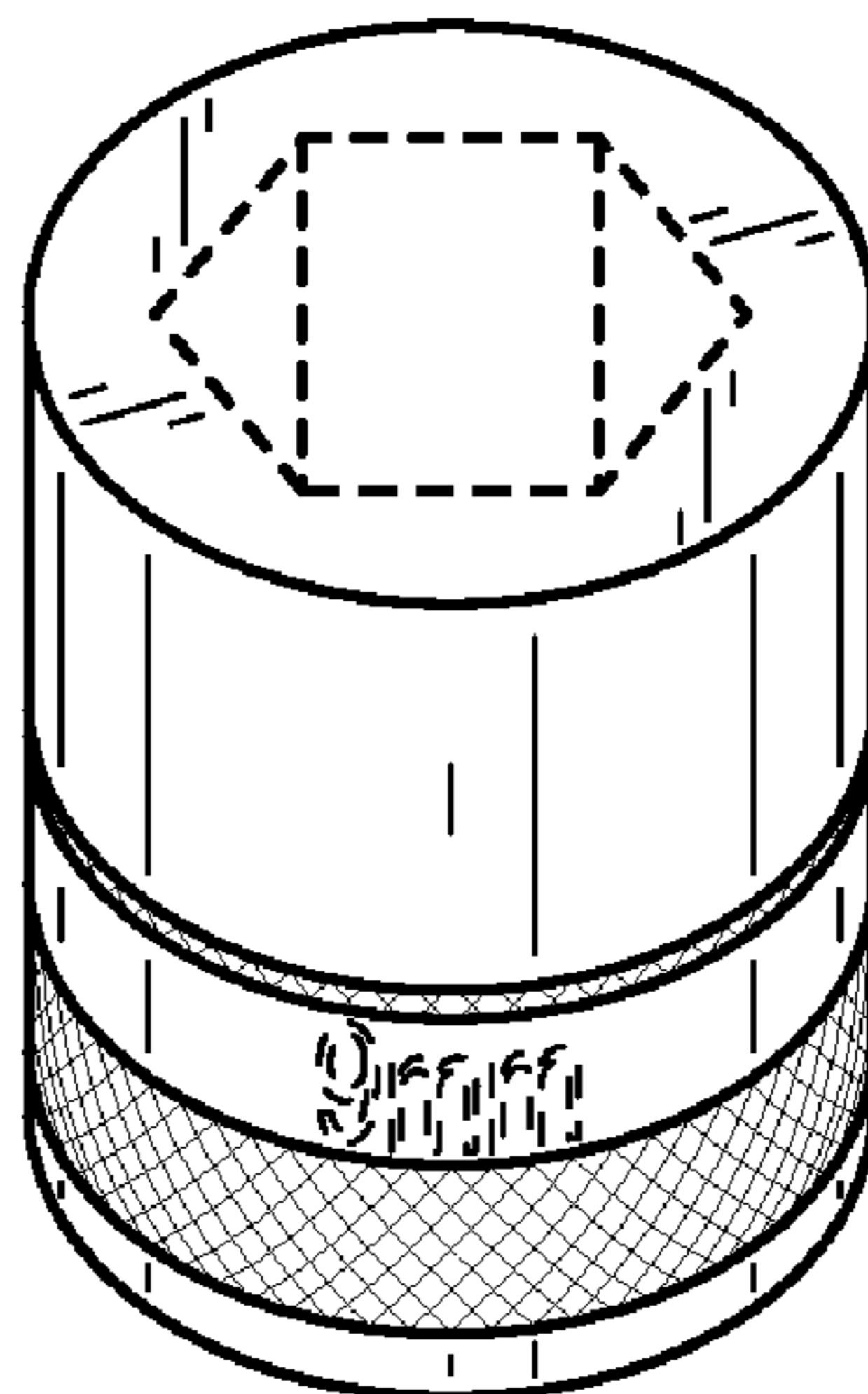
(57) **CLAIM**

The ornamental design of a socket, illustrated substantially as shown and described.

DESCRIPTION

FIG. 1 is a perspective view of a socket embodying the design of the present invention;
FIG. 2 is a front plan view of the socket illustrated in FIG. 1;
FIG. 3 is a back plan view of the socket illustrated in FIG. 1;
FIG. 4 is a right side view of the socket illustrated in FIG. 1;
FIG. 5 is a left side view of the socket illustrated in FIG. 1;
FIG. 6 is a top view of the socket illustrated in FIG. 1; and,
FIG. 7 is a bottom view of the socket illustrated in FIG. 1.
Broken lines are for illustrative purposes and form no part of the claim.

1 Claim, 2 Drawing Sheets



US D649,417 S

U.S. PATENT DOCUMENTS

6,170,363	B1	1/2001	Hu	
D438,074	S *	2/2001	Marr et al.	D8/29
D439,481	S	3/2001	Lin	
D441,264	S	5/2001	Bruns et al.	
D442,837	S	5/2001	Porras	
6,257,096	B1	7/2001	Ling	
6,257,098	B1	7/2001	Cirone	
6,397,705	B1	6/2002	Hsieh	
6,477,759	B2	11/2002	Hu	
6,647,834	B2	11/2003	Hu	
D483,096	S *	12/2003	Gotoh et al.	D23/262
D484,376	S	12/2003	Cromer	
6,712,484	B2	3/2004	Hsieh	
6,739,222	B2	5/2004	Hsieh	
D500,435	S	1/2005	Dexter et al.	
D500,944	S	1/2005	Dexter et al.	
D501,768	S	2/2005	Dexter et al.	
D506,908	S *	7/2005	Hsien	D8/29
6,915,723	B2	7/2005	Hsieh	
6,925,914	B2	8/2005	Hsien	
6,938,524	B2	9/2005	Hsien	
6,962,100	B2	11/2005	Hsien	
7,000,505	B2	2/2006	Hsien	
D520,311	S *	5/2006	Saunders	D8/29
D521,826	S	5/2006	Hsieh	
D522,821	S	6/2006	Hsieh	
D523,305	S	6/2006	Dexter et al.	
D524,615	S	7/2006	Albertson	
D525,496	S	7/2006	Hsieh	
7,096,766	B2	8/2006	Hsieh	
7,104,163	B2	9/2006	Hu	
7,127,969	B2	10/2006	Hsieh	
D542,106	S *	5/2007	Alsobrook	D8/29
7,284,464	B2	10/2007	Chaconas	
D564,849	S	3/2008	Hsieh	
D570,657	S	6/2008	Hsieh	
D581,755	S *	12/2008	Hu	D8/29
D588,886	S *	3/2009	Davis	D8/29
D605,010	S *	12/2009	Hsieh	D8/29
7,707,916	B2	5/2010	Pirseyedi	
7,726,919	B1 *	6/2010	Rottler et al.	409/234
2004/0216567	A1 *	11/2004	Hsien	81/124.6

2005/0193874	A1	9/2005	Shih
2006/0130618	A1	6/2006	Hsieh
2007/0017322	A1	1/2007	Chaconas
2007/0131065	A1	6/2007	Shih
2008/0028897	A1	2/2008	Hu
2009/0282953	A1	11/2009	Lin

OTHER PUBLICATIONS

Armstrong Industrial Hand Tools Advertisement.
 NAPA Tools and Equipment 2002-2003 advertisement.
 Sunex-Product Catalog 1998, 1/4" Chrome Sockets and Sets.
 2001/2002 Matco Tools Professional Hand Tools Catalog and Service Equipment, 1/2" Metric Impact Sockets.
 2001/2002 Matco Tools Professional Hand Tools Catalog and Service Equipment, 1/4" Impact Sockets.
 Matco Tools; "Promo 5;" product launch flyer distributed at trade show in Apr. 2001; 2 pp.
 Matco Tools; product launch flyer distributed at trade show in Feb. 1999; 3 pp.
 Sunex Tools; "New Tools, New Rules;" product catalog; actual publication date unknown, but Applicant catalog was published more than 1-year prior to the filing of U.S. Appl.No. 29/175,663.
 Design U.S. Appl. No. 29/301,656, filed Sep. 4, 2007, reissue application of D500944.
 Design U.S. Appl. No. 29/267,220, filed Aug. 11, 2006, reissue application of D501768.
 Office Action from corresponding U.S. Appl. No. 29/363,055, dated Jan. 15, 2010.
 Response to Office Action, filed Feb. 7, 2011, from corresponding U.S. Appl. No. 29/363,055, dated Jan. 15, 2010.
 Office Action from corresponding U.S. Appl. No. 29/362,259, dated Mar. 25, 2011.
 Office Action, from corresponding U.S. Appl. No. 29/363,055, dated Apr. 11, 2011.
 Response to Office Action, dated Apr. 11, 2011, filed in corresponding U.S. Appl. No. 29/363,055.
 Grey Pneumatic Corporation, Duo Socket Brochure.
 GearWrench, Web Page Printout of GearWrench Sockets.

* cited by examiner

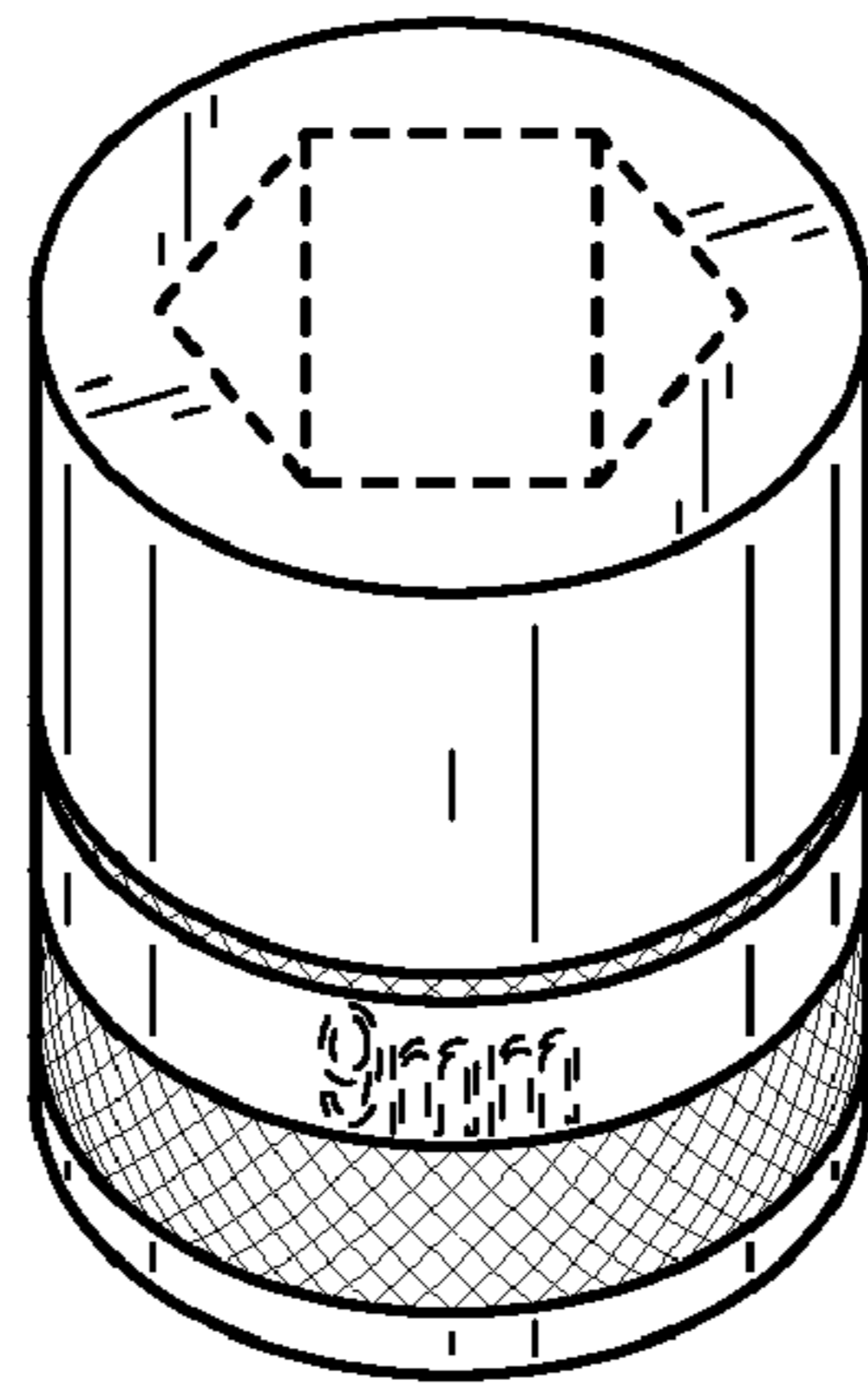


FIG. 1

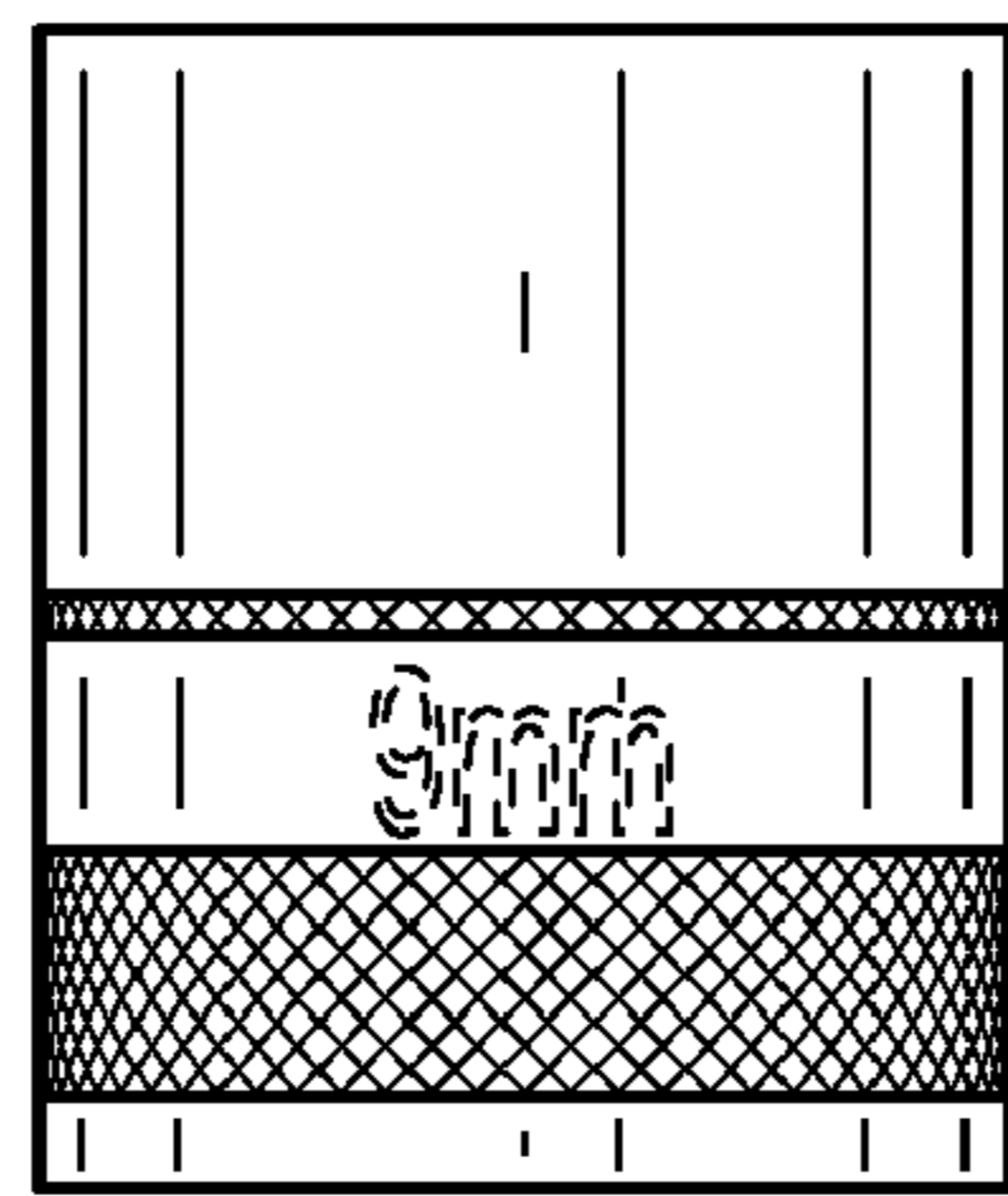


FIG. 2

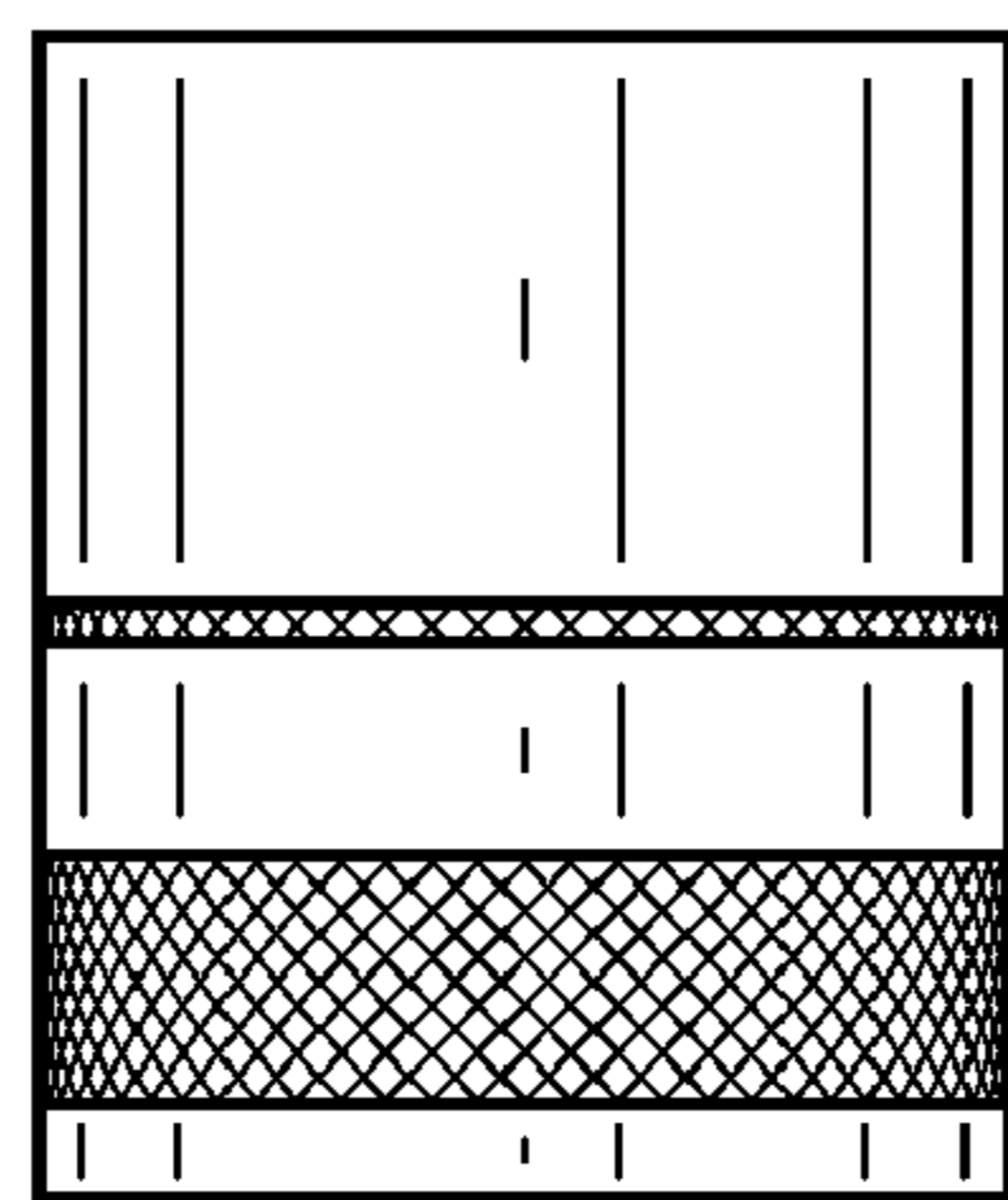


FIG. 3

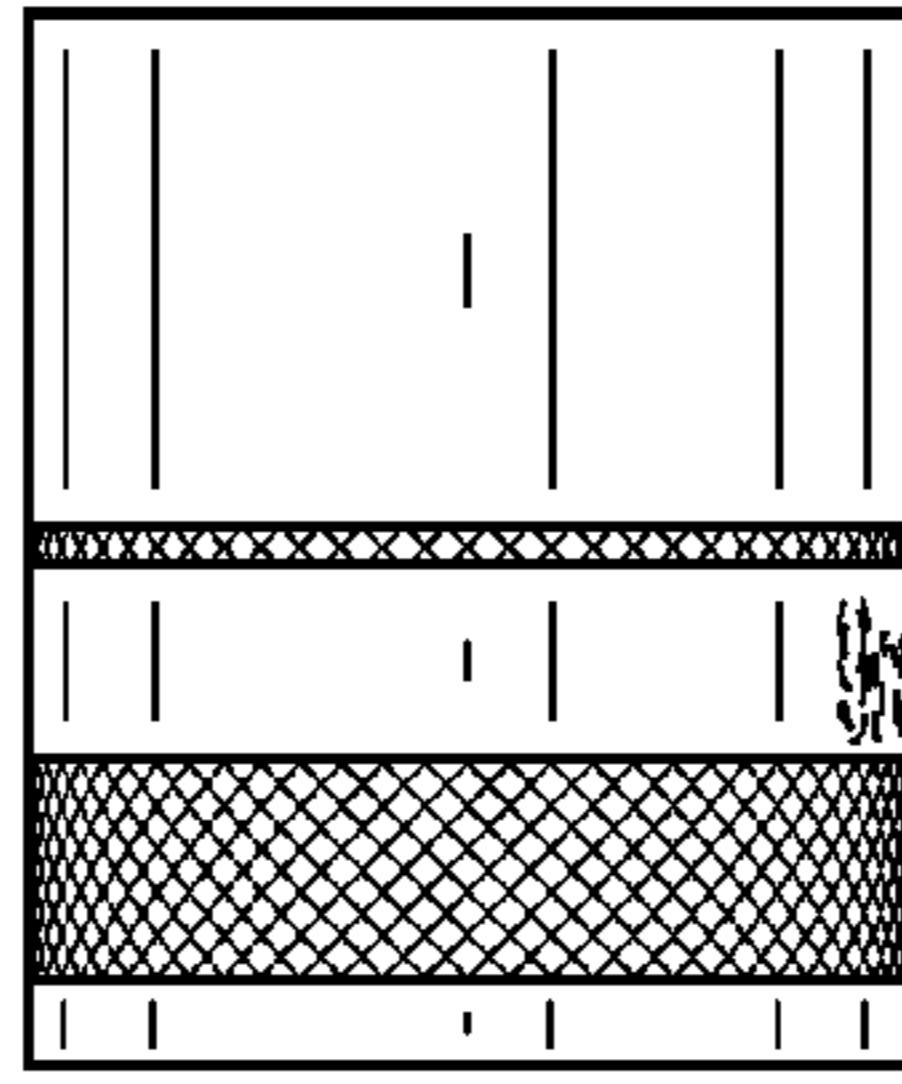


FIG. 4

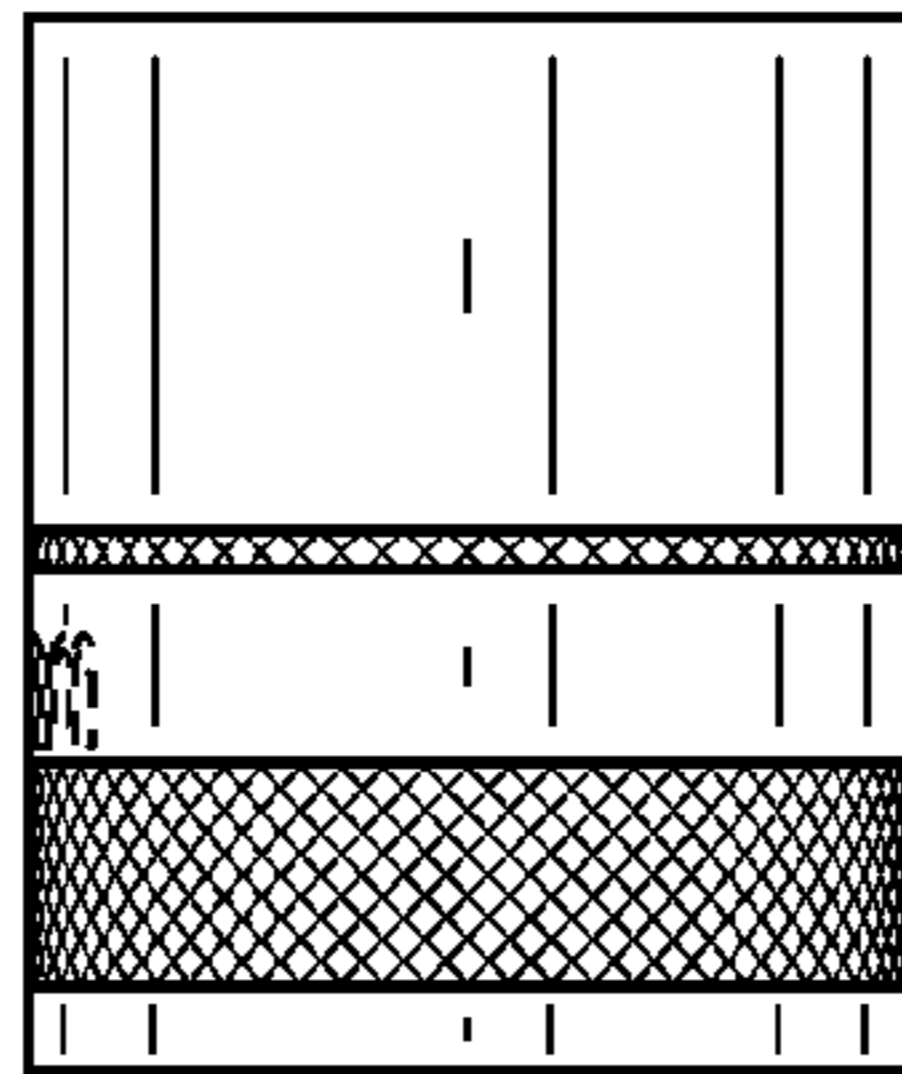


FIG. 5

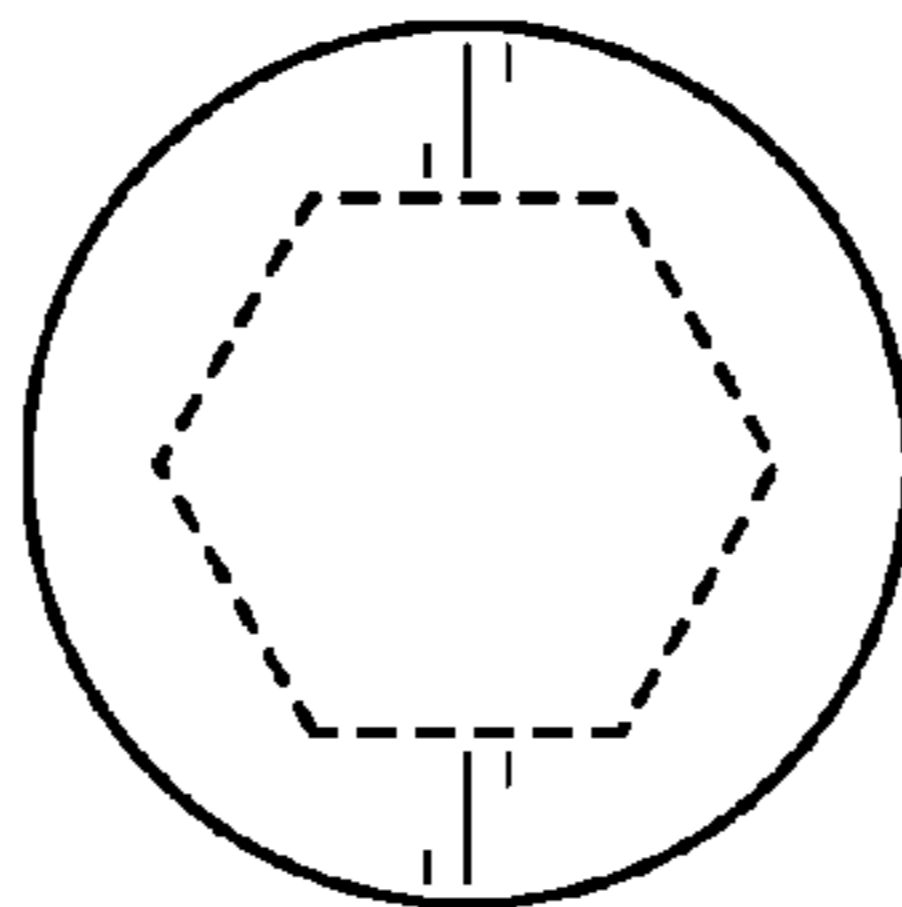


FIG. 6

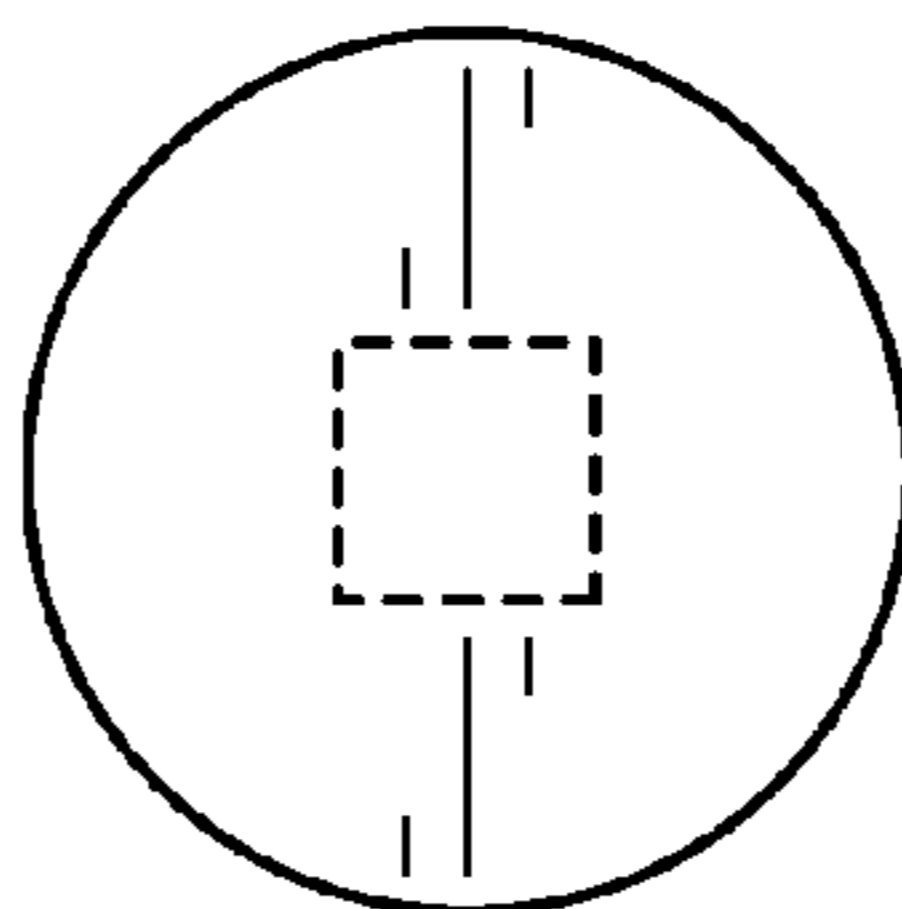


FIG. 7