



US00D649416S

(12) **United States Design Patent**  
**Tietjen**

(10) **Patent No.:** **US D649,416 S**

(45) **Date of Patent:** **\*\* Nov. 29, 2011**

(54) **CUP CADDIE**

D330,513 S \* 10/1992 Gilchrist ..... D7/703  
D424,425 S \* 5/2000 Ngai ..... D9/756  
D526,169 S \* 8/2006 Zafiroopoulos ..... D7/705

(76) Inventor: **Donald J. Tietjen**, Brick, NJ (US)

\* cited by examiner

(\*\*) Term: **14 Years**

*Primary Examiner* — Terry Wallace

(21) Appl. No.: **29/361,737**

(74) *Attorney, Agent, or Firm* — Sinorica LLC

(22) Filed: **May 14, 2010**

(57) **CLAIM**

(51) **LOC (9) Cl.** ..... **07-06**

The ornamental design of a cup caddie, as shown and described.

(52) **U.S. Cl.** ..... **D7/707**

(58) **Field of Classification Search** ..... D7/600.1–600.4,  
D7/701–708, 637–642, 550.1–554.4; D6/514,  
D6/569, 469; 211/74, 71.01, 70.6, 70.7;  
248/311.2, 311.3, 309.1

**DESCRIPTION**

See application file for complete search history.

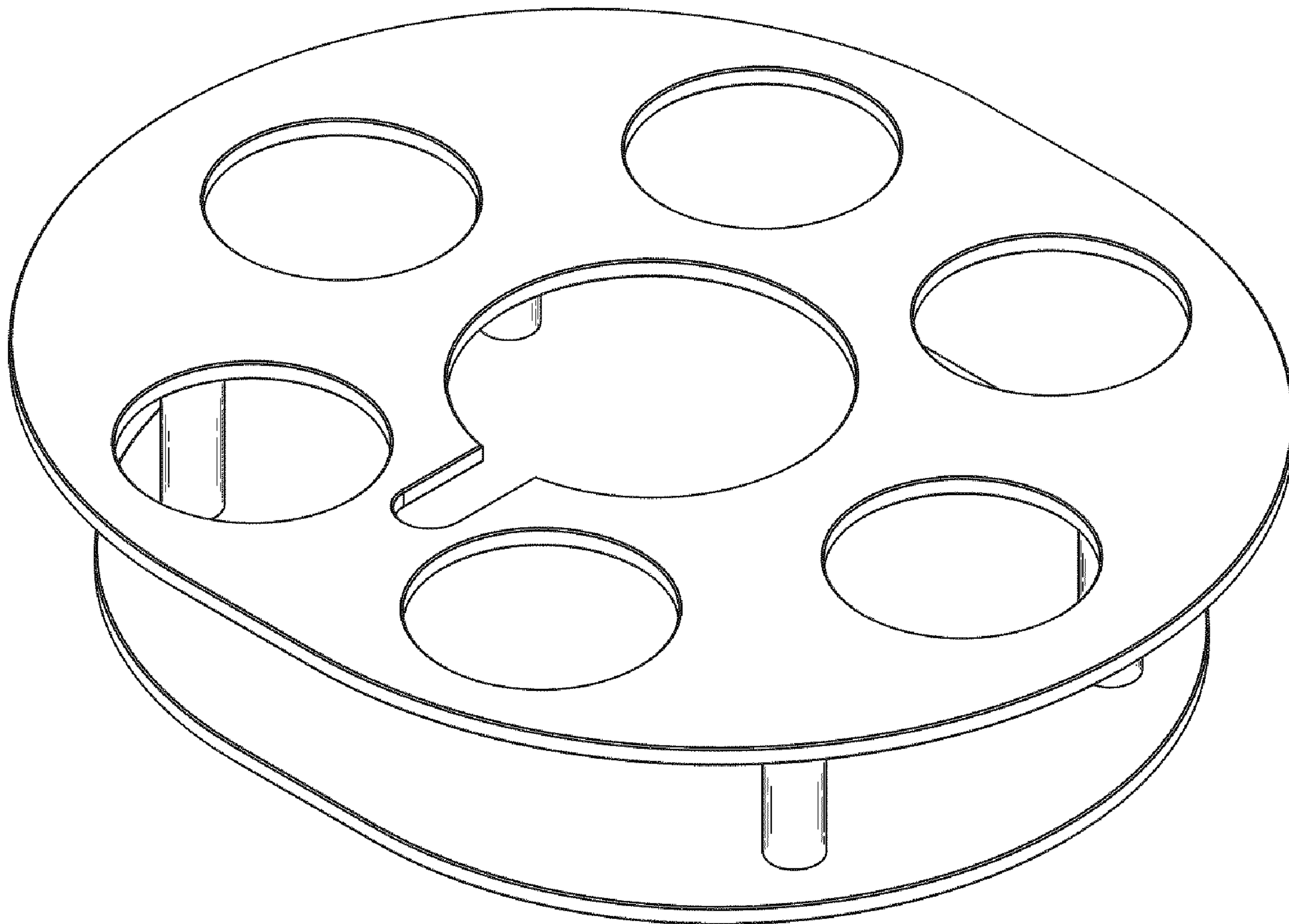
FIG. 1 is a perspective view of a cup caddie;  
FIG. 2 is a top plan view thereof;  
FIG. 3 is a bottom plan view thereof;  
FIG. 4 is a left-side elevational view thereof;  
FIG. 5 is a right-side elevational view thereof;  
FIG. 6 is a front elevational view thereof; and,  
FIG. 7 is a rear elevational view thereof.

(56) **References Cited**

U.S. PATENT DOCUMENTS

3,908,877 A \* 9/1975 Kosisky ..... 294/143  
D323,447 S \* 1/1992 Booz ..... D7/705

**1 Claim, 5 Drawing Sheets**



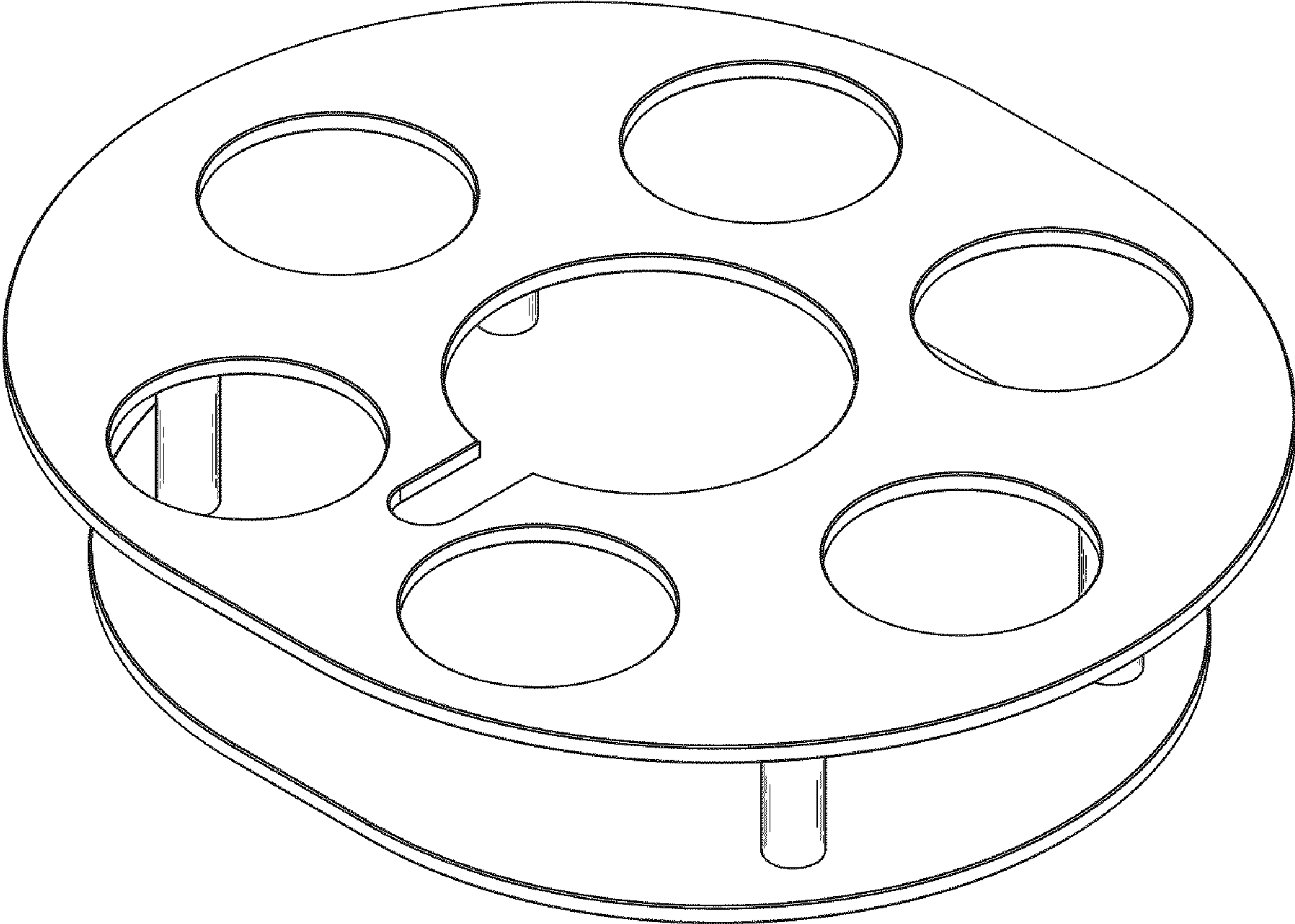


FIG. 1

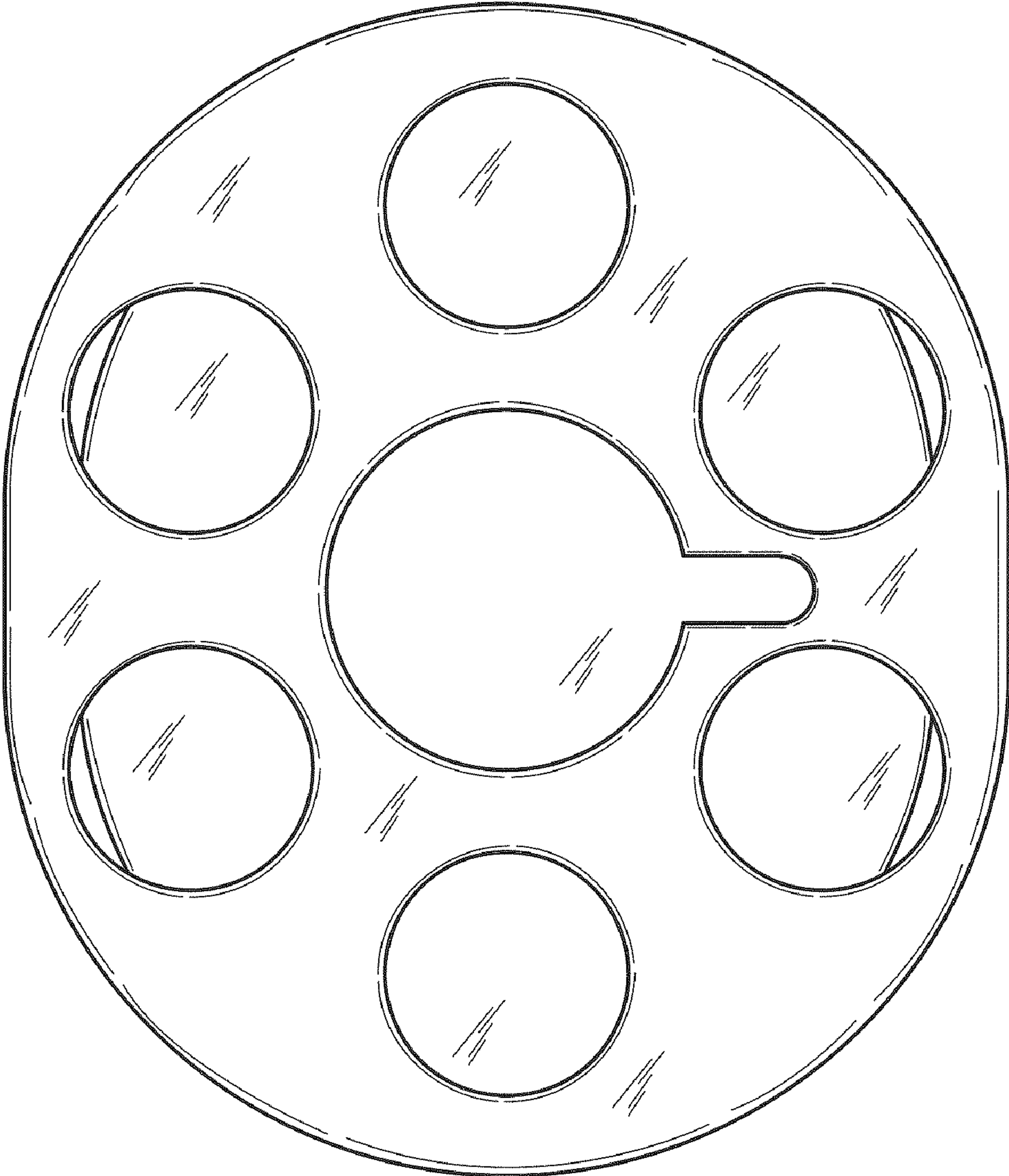


FIG. 2

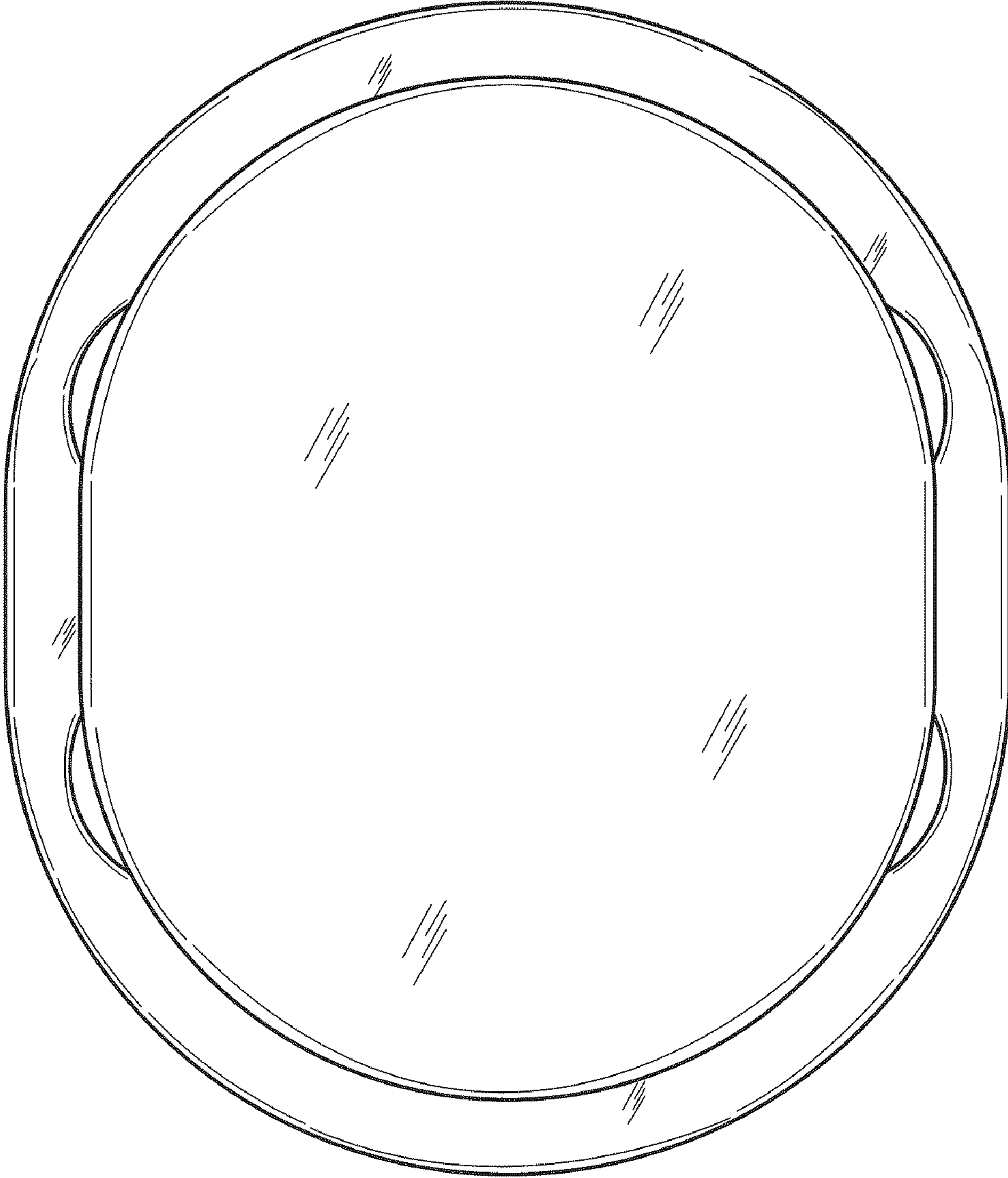


FIG. 3



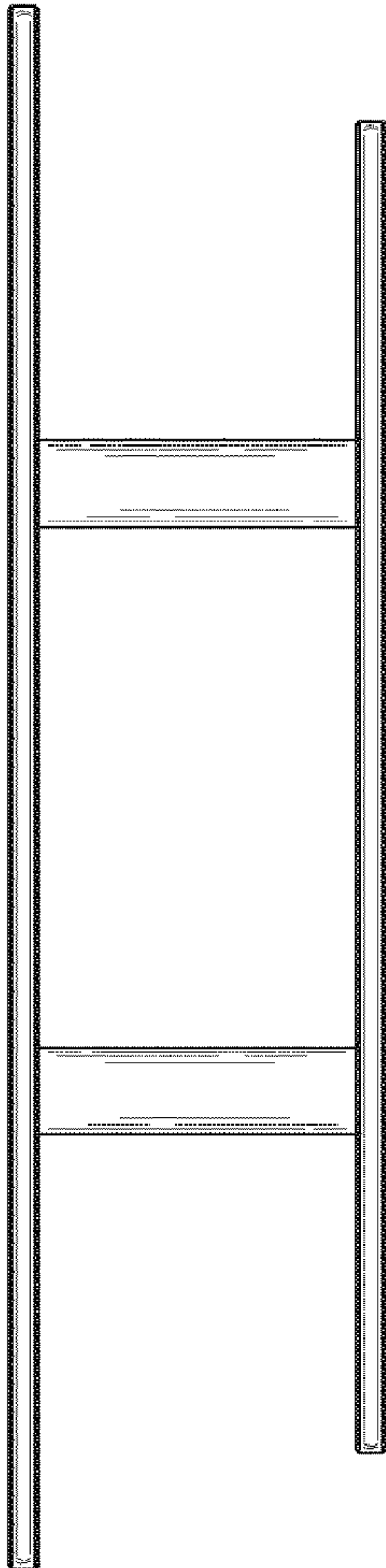


FIG. 4

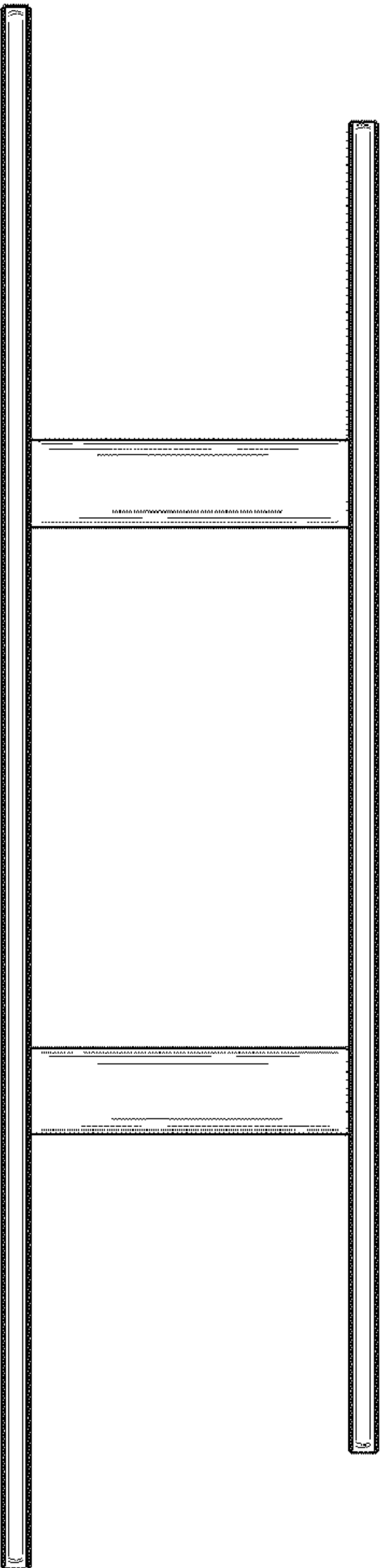


FIG. 5

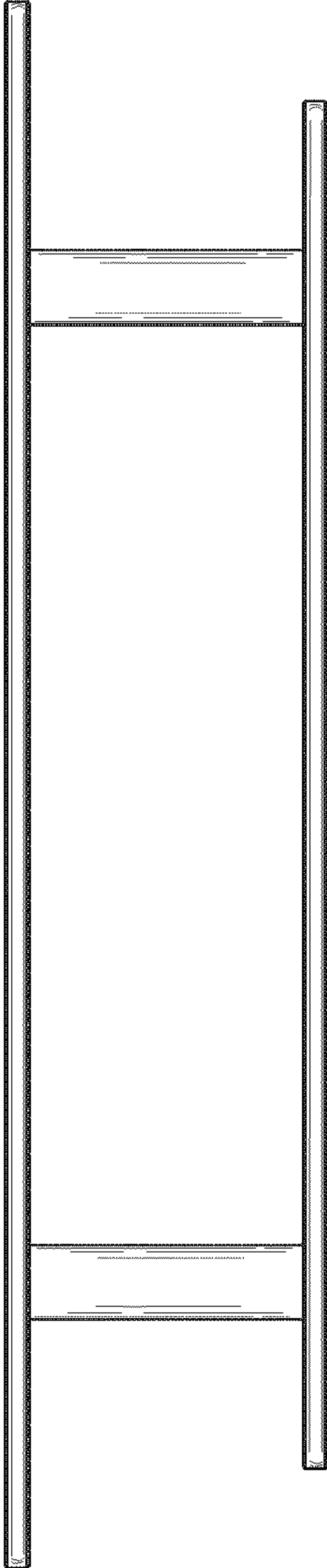


FIG. 6

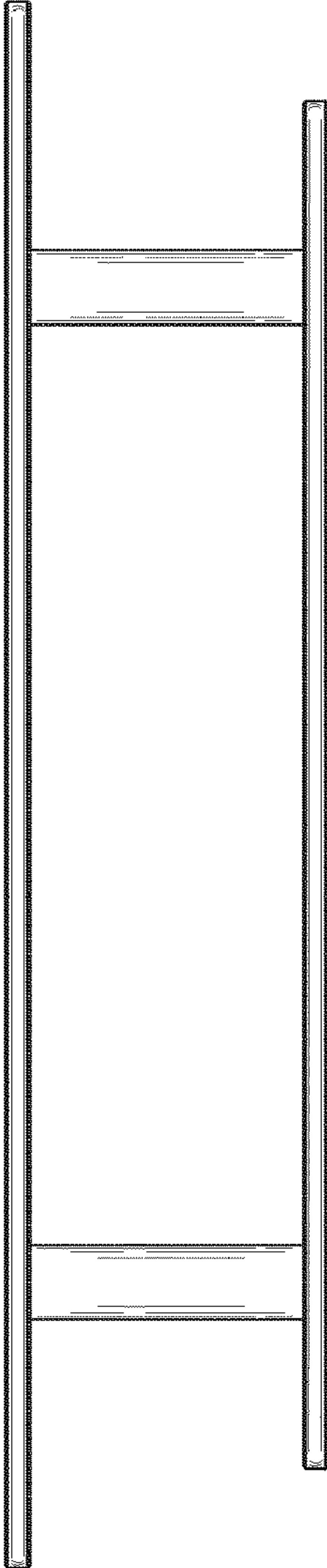


FIG. 7