



US00D649415S

(12) **United States Design Patent**
Williams

(10) **Patent No.:** **US D649,415 S**

(45) **Date of Patent:** **** Nov. 29, 2011**

(54) **LADLE WITH STRAINER**

(76) Inventor: **Wilfredo Williams**, Miami, FL (US)

(**) Term: **14 Years**

(21) Appl. No.: **29/391,765**

(22) Filed: **May 12, 2011**

(51) **LOC (9) Cl.** **07-04**

(52) **U.S. Cl.** **D7/692; D7/667**

(58) **Field of Classification Search** D7/680-696,
D7/395, 393, 666, 667; 30/322-324; 210/470-482
See application file for complete search history.

(56) **References Cited**

U.S. PATENT DOCUMENTS

19,419	A	2/1858	Haines	
3,822,020	A	7/1974	Hong	
4,825,551	A	5/1989	Sherblom	
D367,406	S	2/1996	Ancona	
D482,579	S	* 11/2003	Kortleven et al. D7/692

D487,675 S * 3/2004 Overthun et al. D7/667
7,356,933 B2 4/2008 Wong
2001/0045388 A1 11/2001 Ho

* cited by examiner

Primary Examiner — Terry Wallace

(57) **CLAIM**

The ornamental design for a ladle with strainer, as shown and described.

DESCRIPTION

FIG. 1 is a perspective view of a ladle with strainer showing my new design;
FIG. 2 is a side view (opposite side view is mirror image) thereof;
FIG. 3 is a back view thereof;
FIG. 4 is a front view thereof;
FIG. 5 is a top view thereof; and
FIG. 6 is a bottom view thereof; and,
FIG. 7 is a back perspective view thereof.

1 Claim, 5 Drawing Sheets





FIG. 1

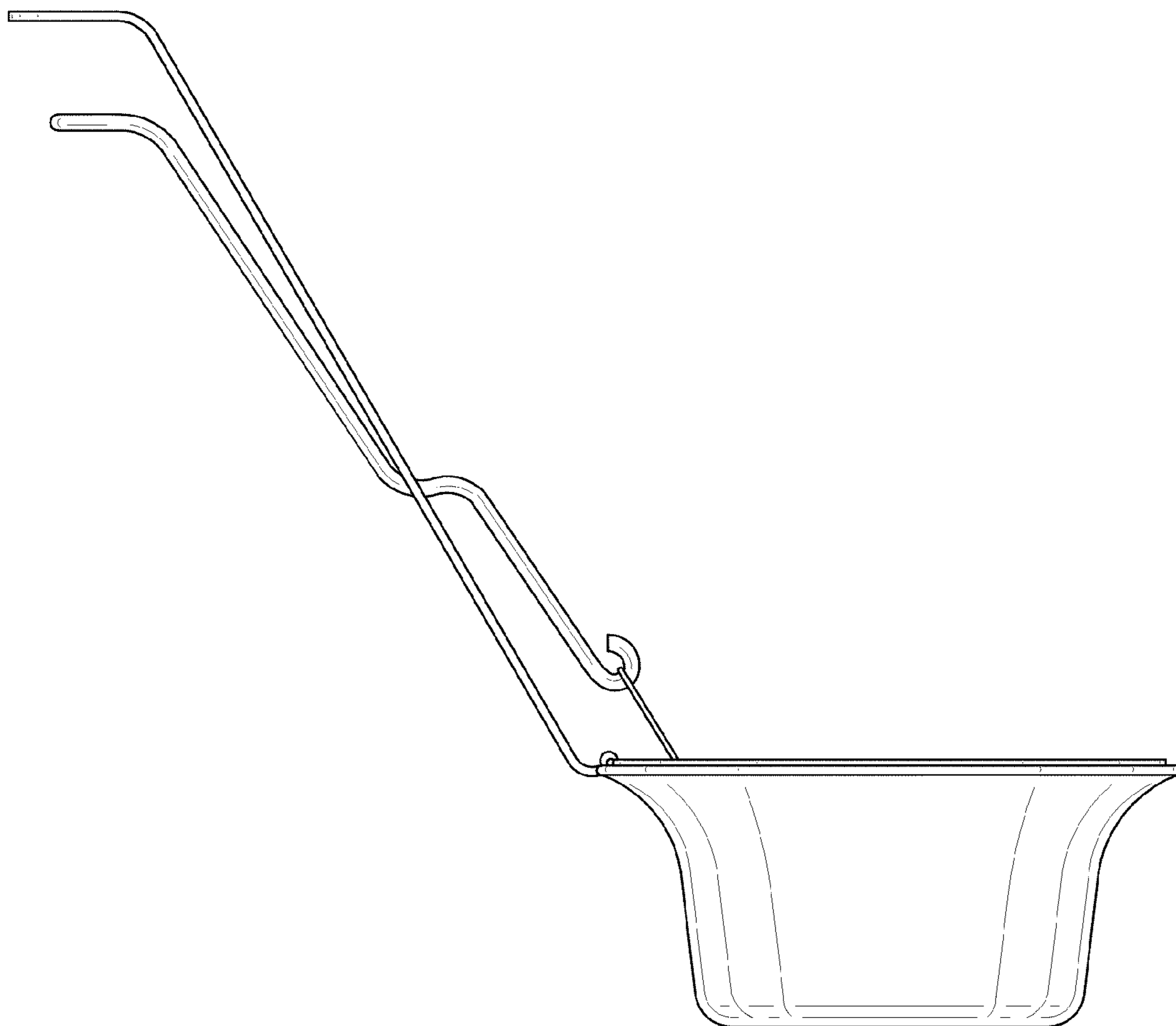


FIG. 2

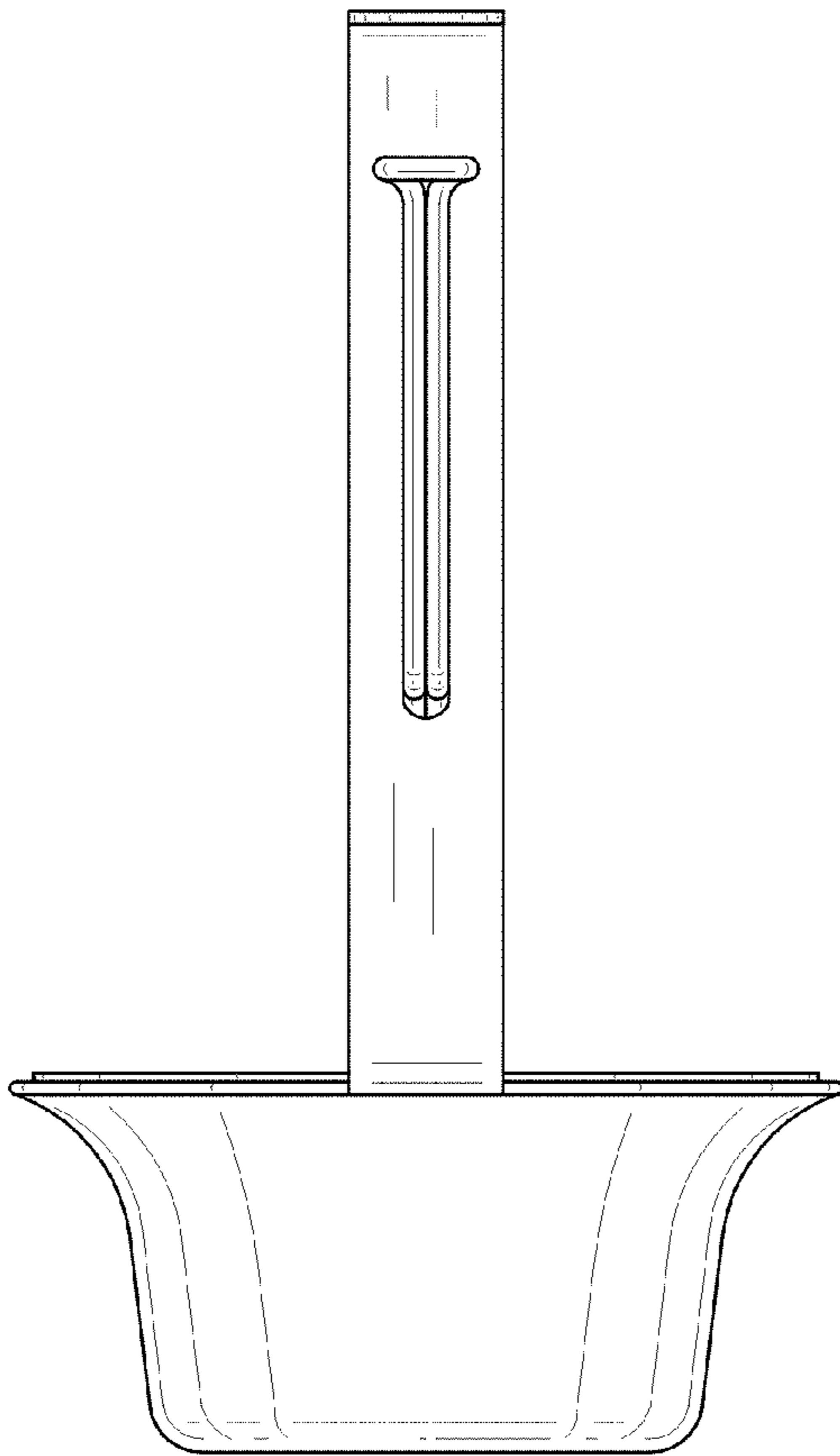


FIG. 3

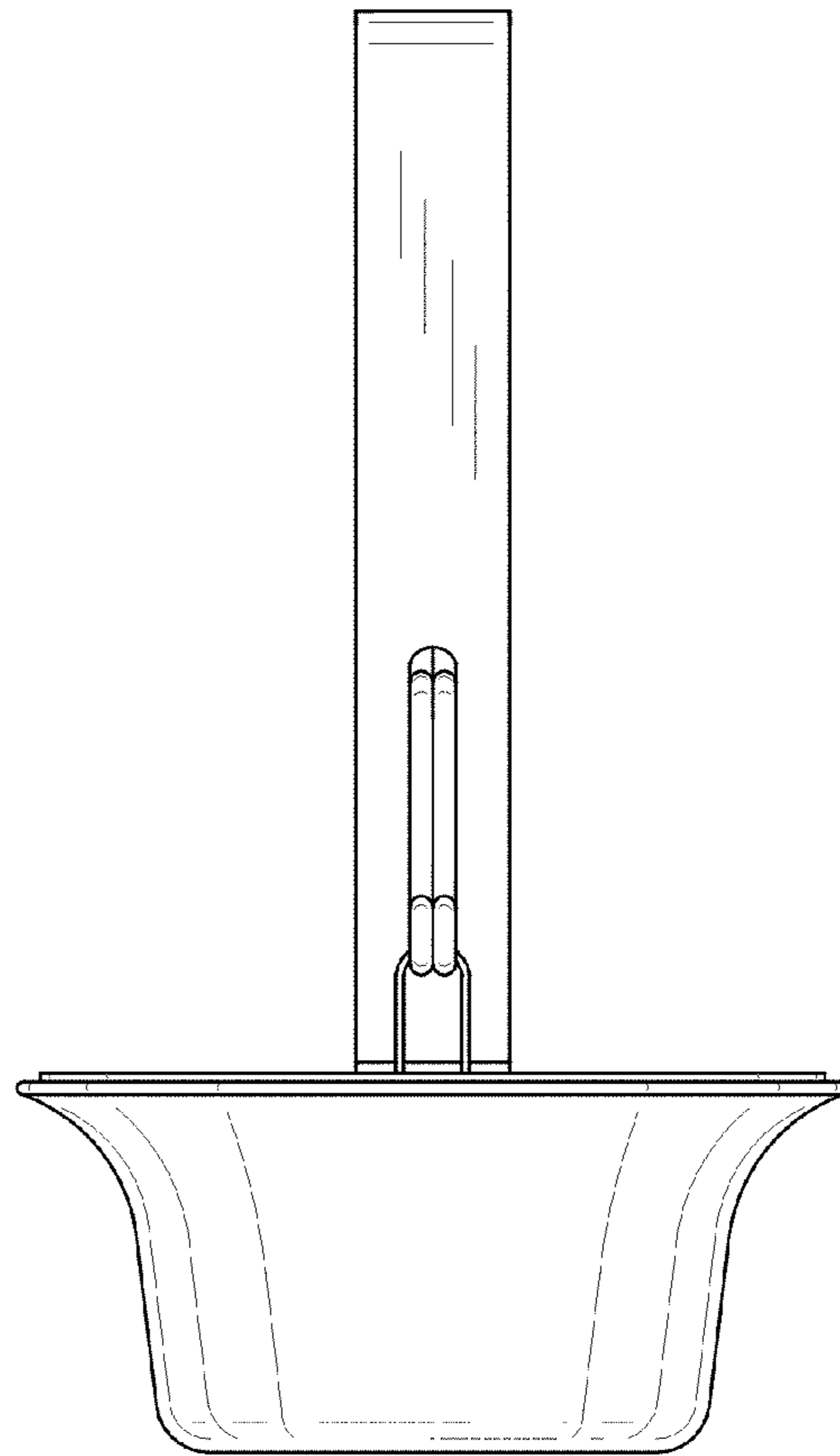


FIG. 4

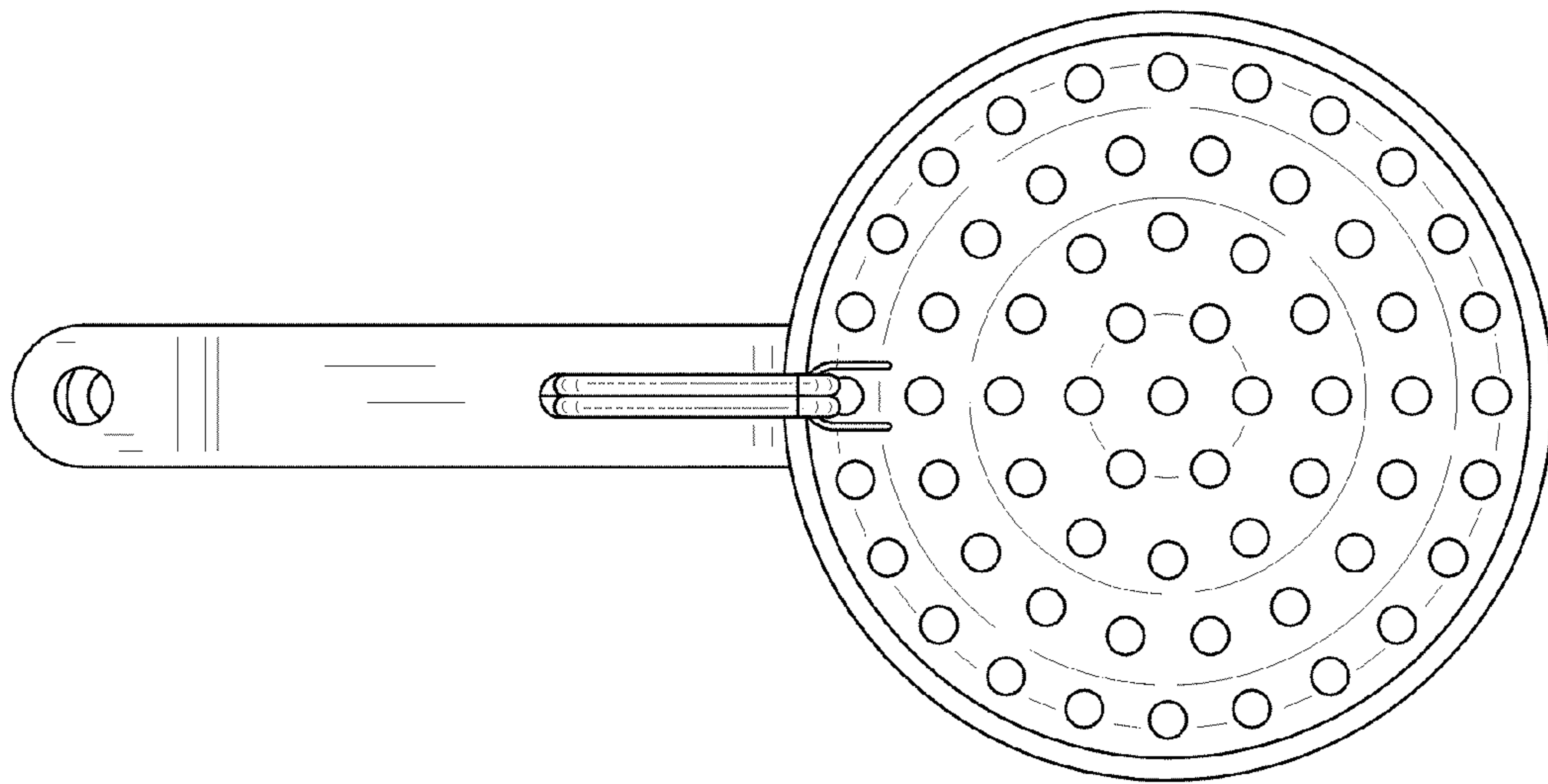


FIG. 5

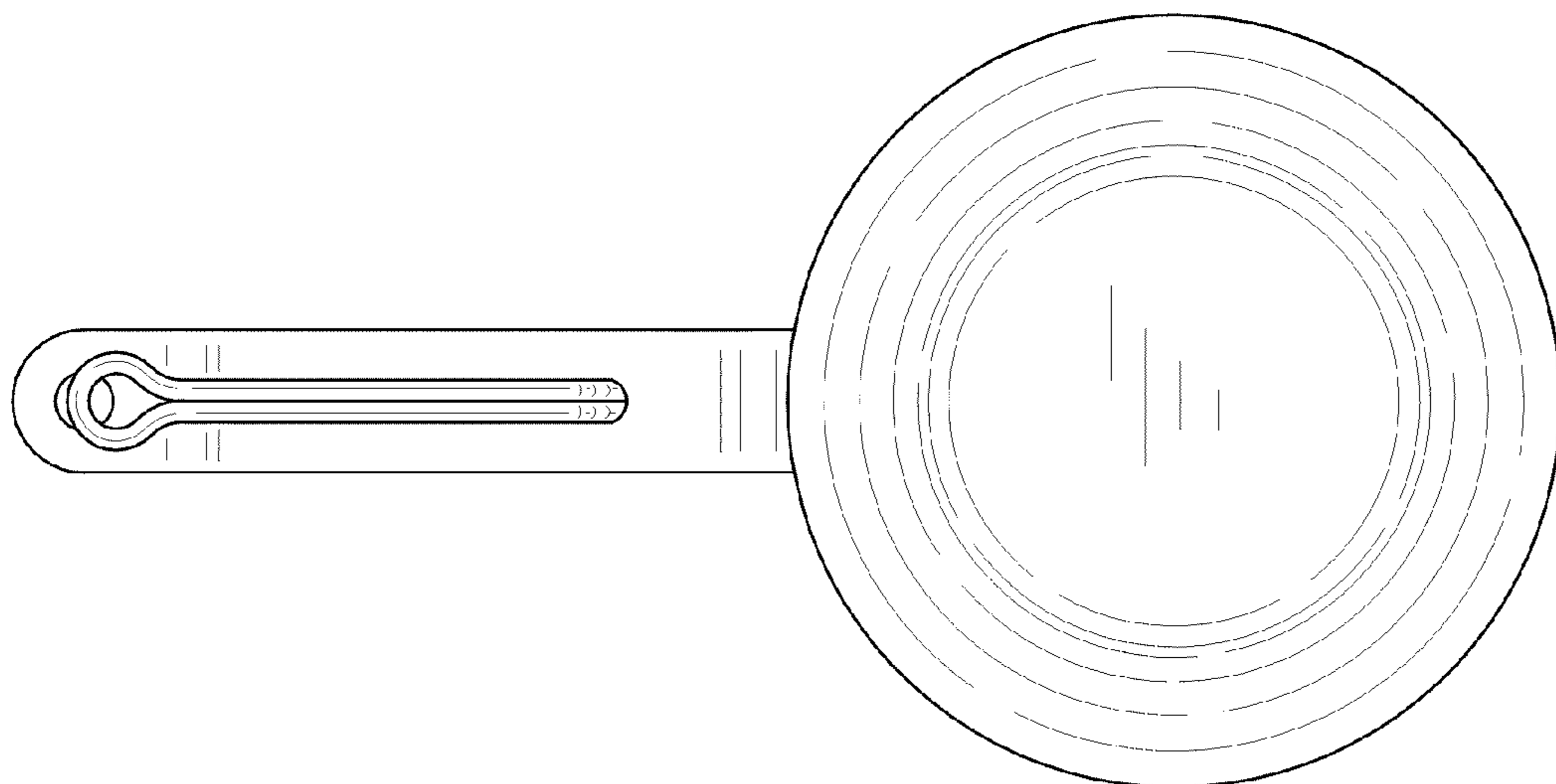


FIG. 6



FIG. 7