



US00D649412S

(12) **United States Design Patent**  
**Lo**

(10) **Patent No.:** **US D649,412 S**

(45) **Date of Patent:** **\*\* Nov. 29, 2011**

(54) **WEDGED CUTLERY HANDLE**

(76) Inventor: **Wai Kim Lo**, Hong Kong (CN)

(\*\*) Term: **14 Years**

(21) Appl. No.: **29/372,581**

(22) Filed: **Dec. 9, 2010**

(51) **LOC (9) Cl.** ..... **07-03**

(52) **U.S. Cl.** ..... **D7/649**

(58) **Field of Classification Search** ..... D4/138;  
D7/368, 393-395, 401.2, 642-653, 669, 675-676,  
D7/688-696; D8/20, 80, 97-99, 102, 107,  
D8/300, 303, 321; D22/117-118; D24/146-149;  
16/110.1, 407, 430, DIG. 18; 30/136, 142-150,  
30/161, 295, 315, 329, 340-348, 353-356;  
83/673, 835, 847; 452/102-105

See application file for complete search history.

(56) **References Cited**

U.S. PATENT DOCUMENTS

D452,129 S \* 12/2001 McCalla et al. .... D8/107  
D458,511 S \* 6/2002 Rorke ..... D7/395  
D494,039 S \* 8/2004 Tsai ..... D8/107  
D497,523 S \* 10/2004 Chen ..... D7/650  
D499,886 S \* 12/2004 Goulet et al. .... D4/138  
D531,875 S \* 11/2006 Chen ..... D8/80  
D548,543 S \* 8/2007 Izaki ..... D7/649  
D560,096 S \* 1/2008 Bras et al. .... D7/401.2  
D572,542 S \* 7/2008 Epstein ..... D7/649

D595,544 S \* 7/2009 Thun ..... D7/649  
D599,626 S \* 9/2009 Wang et al. .... D7/642  
D623,483 S \* 9/2010 Gerlach ..... D7/649  
D637,048 S \* 5/2011 Ono et al. .... D7/650

\* cited by examiner

*Primary Examiner* — Ricky Pham

(74) *Attorney, Agent, or Firm* — Sonya C. Harris; Invention Services

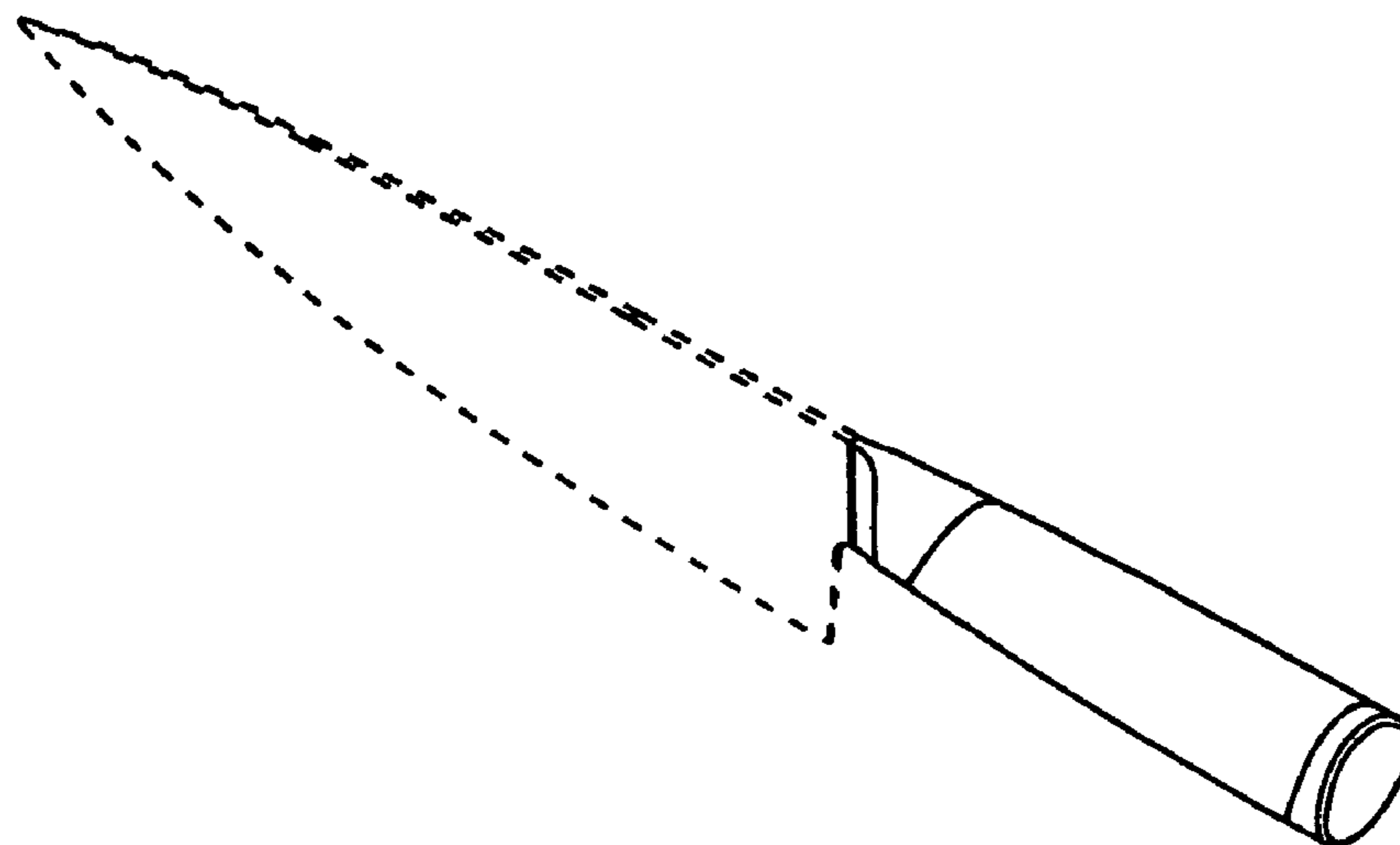
(57) **CLAIM**

The ornamental design for the wedged cutlery handle, as shown and described.

**DESCRIPTION**

FIG. 1 is an enlarged left elevational view of my design; FIG. 2 is a left top perspective view of my design, the broken lines depicting an exemplary cutlery element as mounted thereto as environmental structure for illustrative purposes only and form no part of the claimed design; FIG. 3 is an enlarged top plan view of my design; FIG. 4 is an enlarged bottom plan view of my design; FIG. 5 is an enlarged front elevational view of my design; FIG. 6 is an enlarged rear elevational view of my design; and, FIG. 7 is a right elevational mirror view of my design of FIG. 1, the broken lines depicting an exemplary cutlery element as mounted thereto as environmental structure for illustrative purposes only and form no part of the claimed design.

**1 Claim, 3 Drawing Sheets**



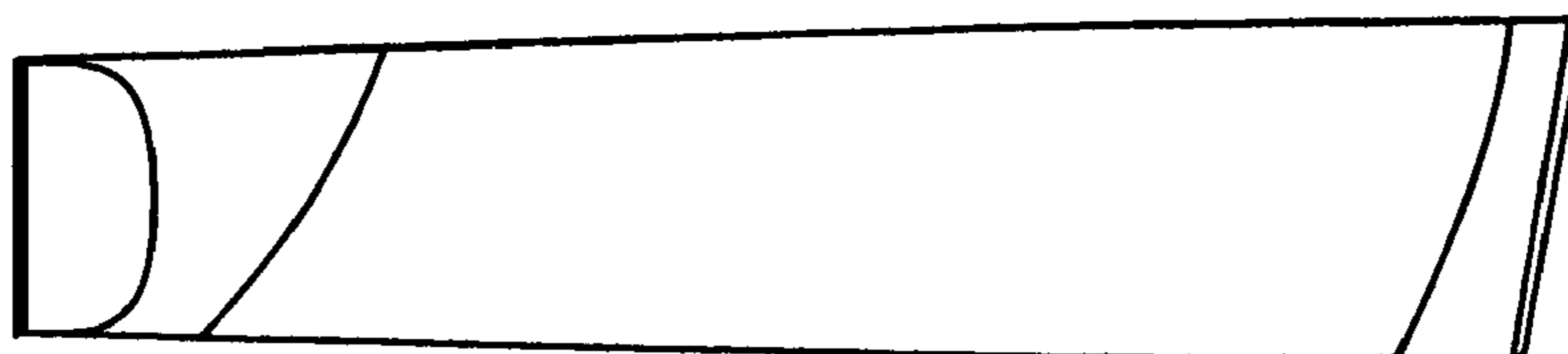


FIG. 1

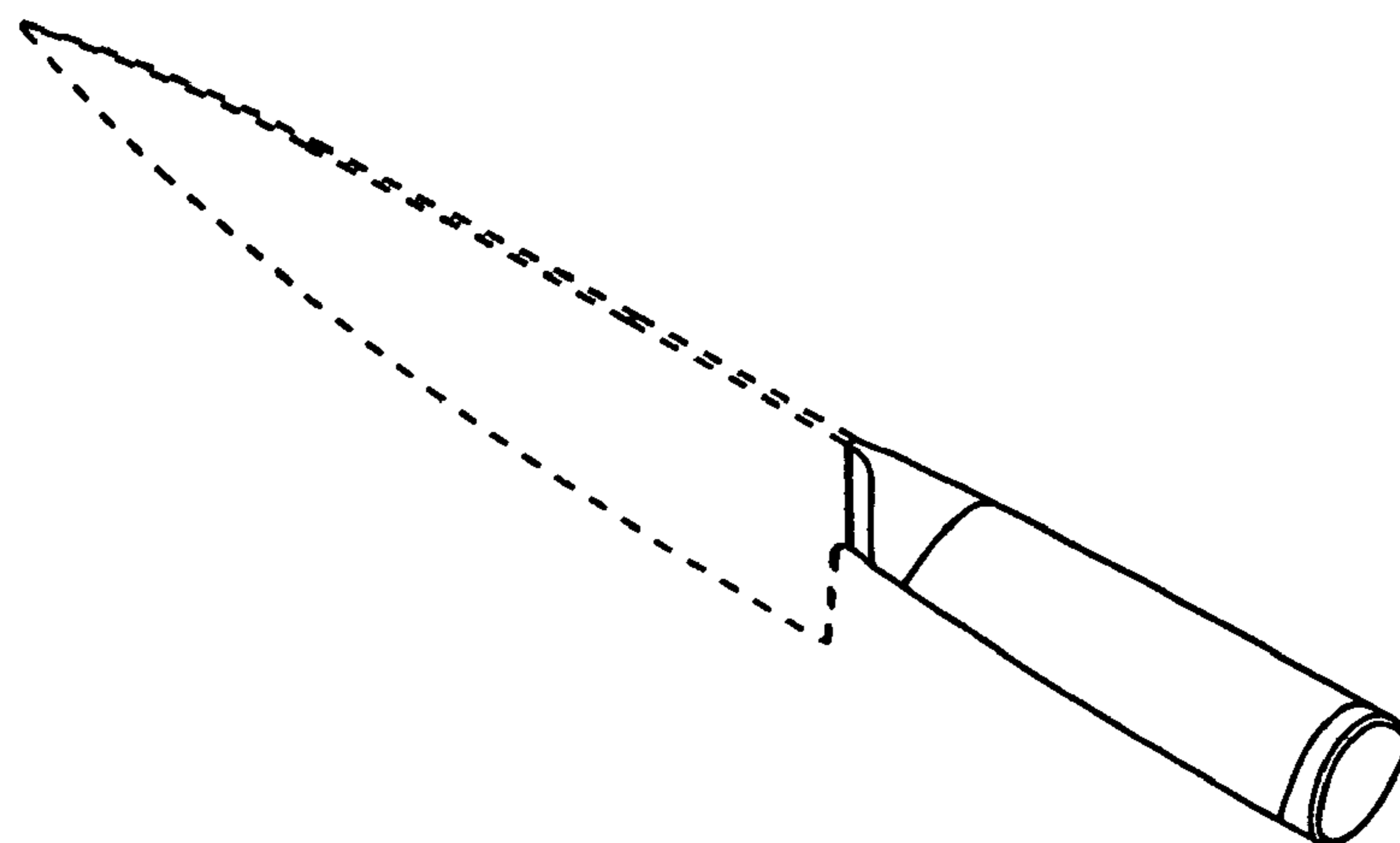


FIG. 2

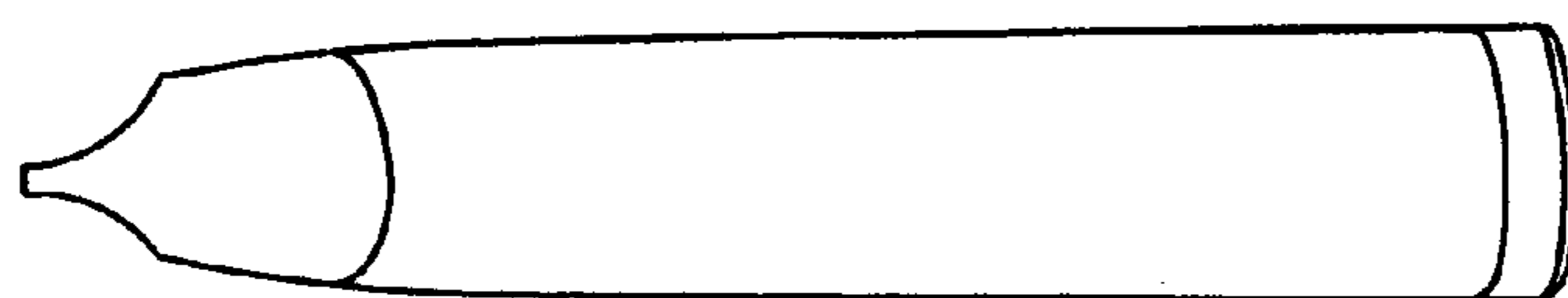


FIG. 3

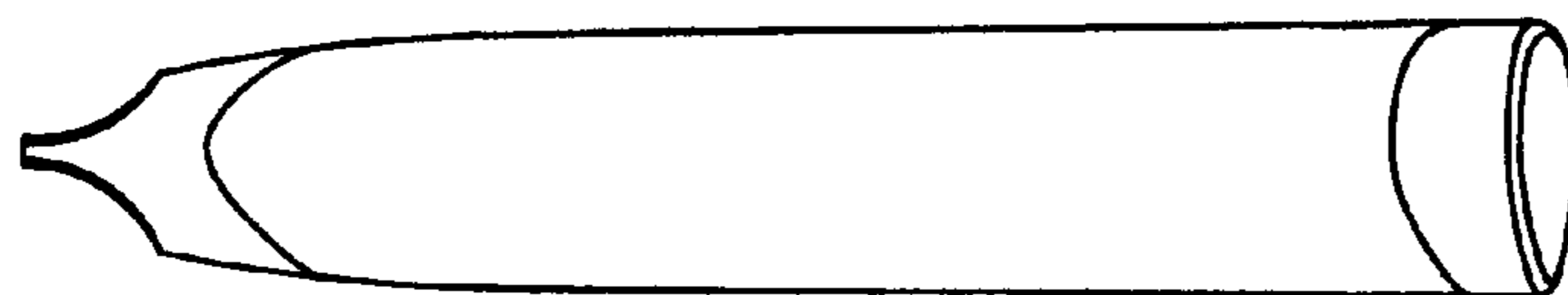


FIG. 4

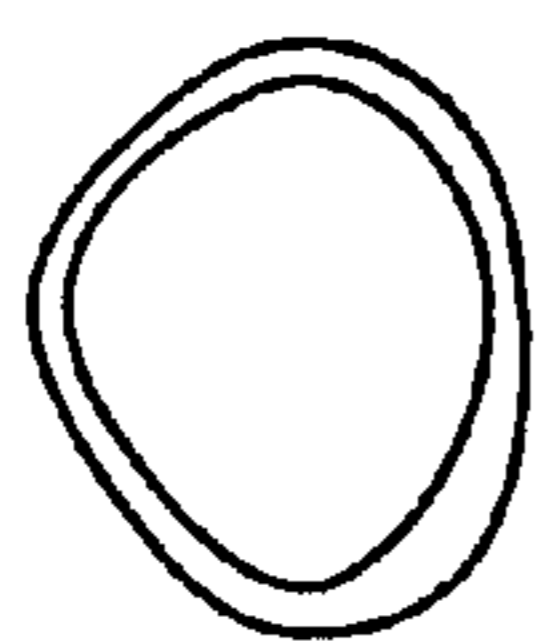


FIG. 5

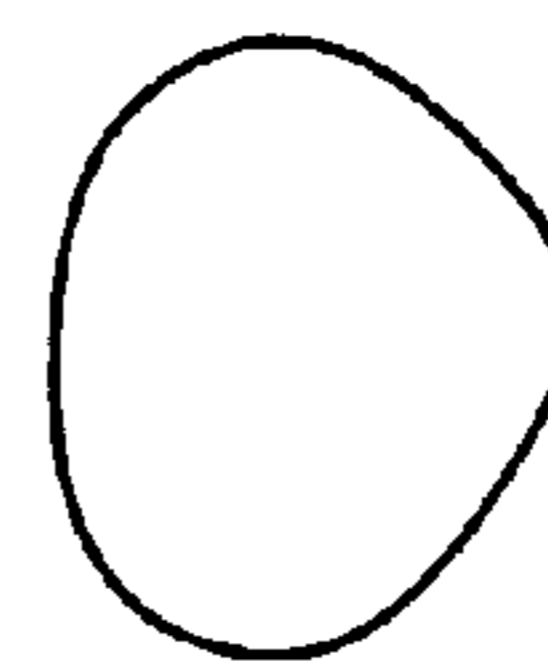


FIG. 6



FIG. 7