



US00D649411S

(12) **United States Design Patent**  
**Lo**

(10) **Patent No.:** **US D649,411 S**

(45) **Date of Patent:** **\*\* Nov. 29, 2011**

(54) **FORGED CUTLERY HANDLE**

(76) Inventor: **Wai Kim Lo**, Hong Kong (CN)

(\*\*) Term: **14 Years**

(21) Appl. No.: **29/372,576**

(22) Filed: **Dec. 9, 2010**

(51) **LOC (9) Cl.** ..... **07-03**

(52) **U.S. Cl.** ..... **D7/649**

(58) **Field of Classification Search** ..... D7/368,  
D7/393-395, 401.2, 642-653, 669, 675-676,  
D7/688-696; D8/20, 97-99, 102, 107, 300,  
D8/303, 321; D22/117-118; D24/146-149;  
16/110.1, 407, 430, DIG. 18; 30/136, 142-150,  
30/161, 295, 315, 329, 340-348, 353-356;  
83/673, 835, 847; 452/102-105

See application file for complete search history.

(56) **References Cited**

U.S. PATENT DOCUMENTS

D192,916	S	*	5/1962	Zorn	.....	D7/649
5,081,770	A	*	1/1992	Fierthaler	.....	30/355
D455,937	S	*	4/2002	Huebner	.....	D7/649
D458,510	S	*	6/2002	Haataja	.....	D7/395
6,625,890	B2	*	9/2003	Hufnagel et al.	.....	30/344
D538,590	S	*	3/2007	Stahl	.....	D7/395
D539,082	S	*	3/2007	Molayem	.....	D7/393
D557,081	S	*	12/2007	Hadj-Chikh et al.	.....	D7/649
D558,851	S	*	1/2008	Onion	.....	D22/118

D564,305	S	*	3/2008	Chisholm	.....	D7/649
D632,934	S	*	2/2011	Thun	.....	D7/649
D633,345	S	*	3/2011	Ranieri	.....	D7/649
D643,258	S	*	8/2011	Spiegel	.....	D7/649

\* cited by examiner

*Primary Examiner* — Ricky Pham

(74) *Attorney, Agent, or Firm* — Sonya C. Harris Invention Services

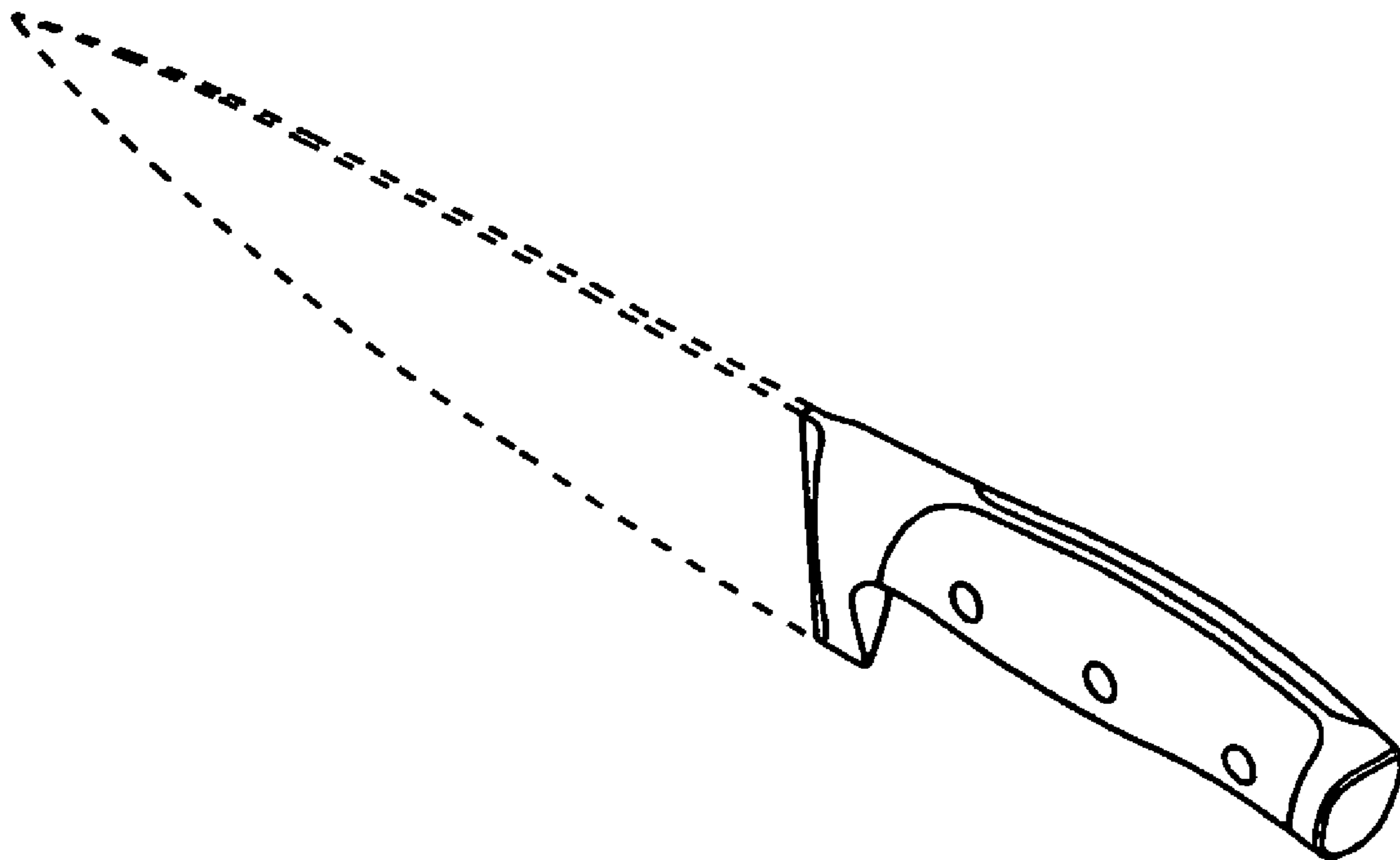
(57) **CLAIM**

The ornamental design for the forged cutlery handle, as shown and described.

**DESCRIPTION**

FIG. 1 is a left elevational view of my design;  
FIG. 2 is a left top perspective view of my design, the broken lines depicting an exemplary cutlery element as mounted thereto as environmental structure for illustrative purposes only and form no part of the claimed design;  
FIG. 3 is a top plan view of my design;  
FIG. 4 is a bottom plan view of my design;  
FIG. 5 is an enlarged front elevational view of my design;  
FIG. 6 is an enlarged rear elevational view of my design; and,  
FIG. 7 is a right elevational mirror view of my design of FIG. 1, the broken lines depicting an exemplary cutlery element as mounted thereto as environmental structure for illustrative purposes only and form no part of the claimed design.

**1 Claim, 3 Drawing Sheets**



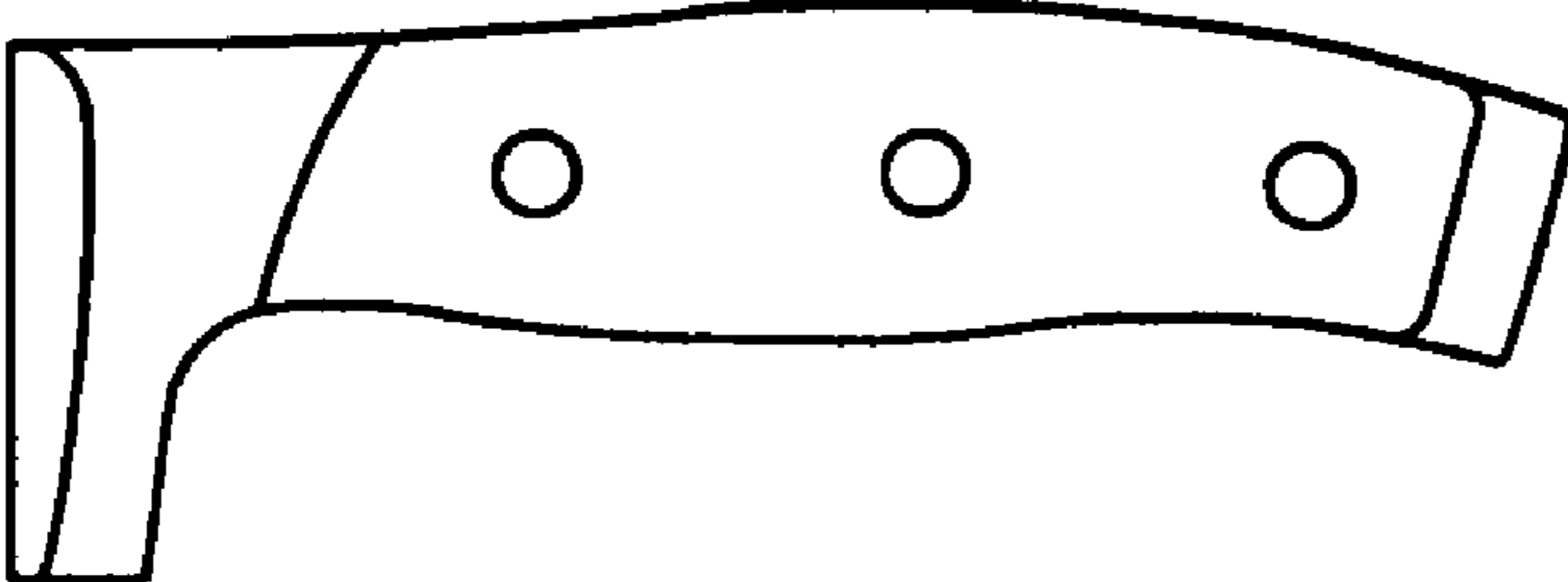


FIG. 1

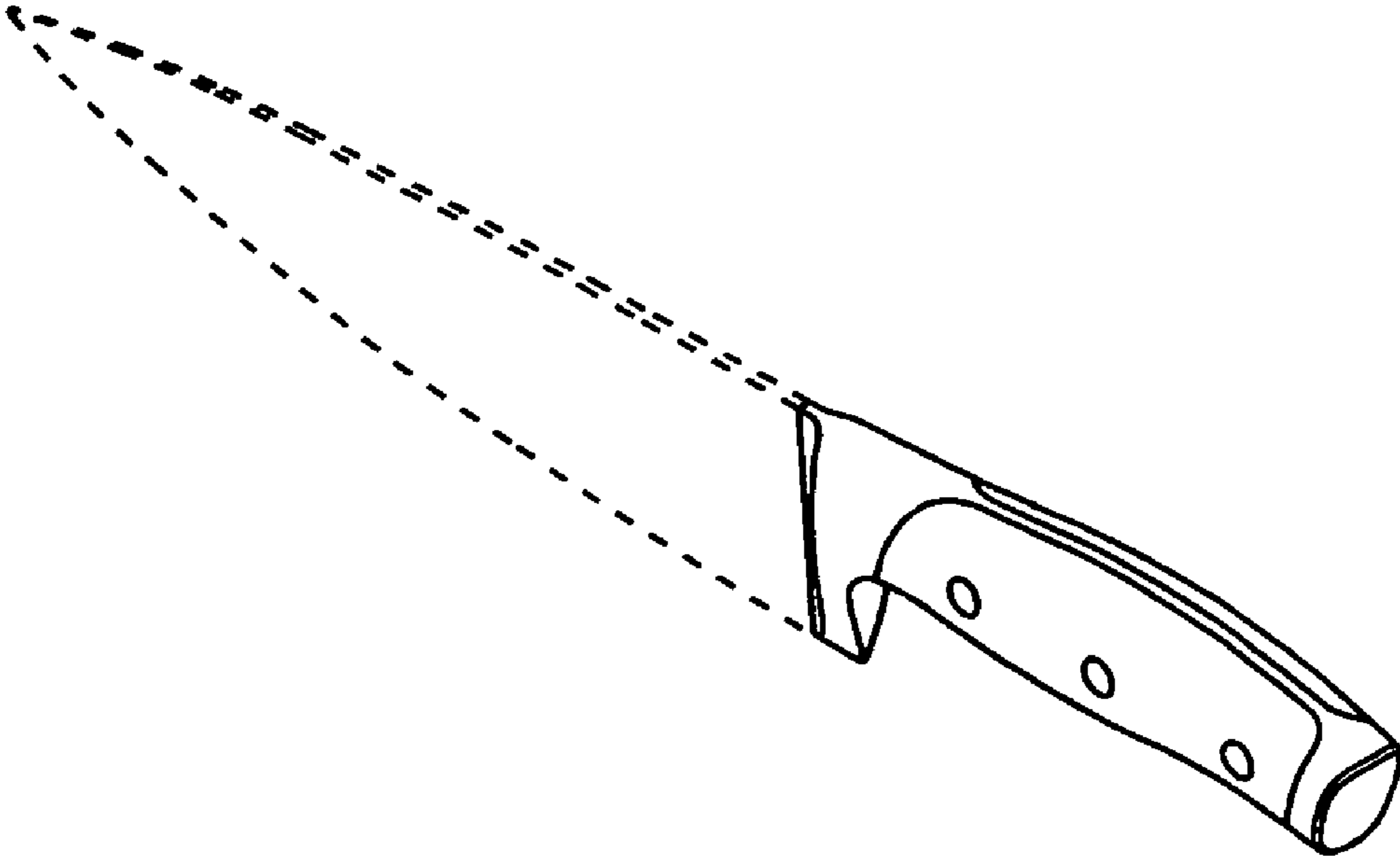


FIG. 2

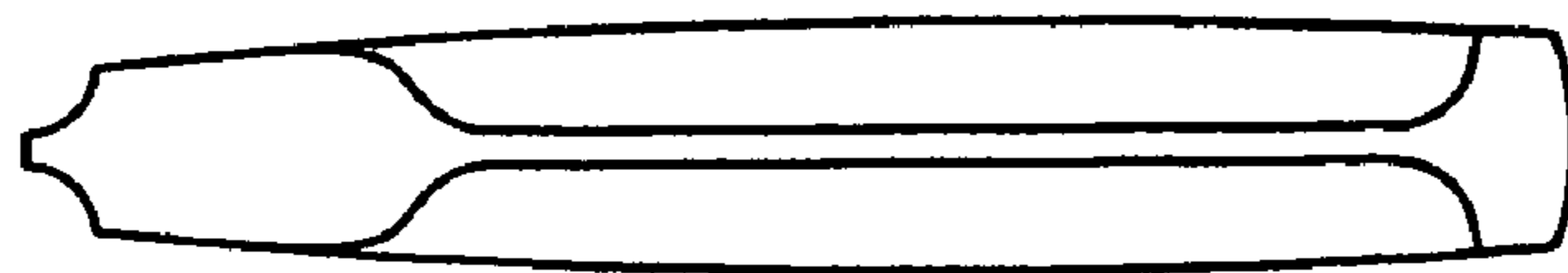


FIG. 3

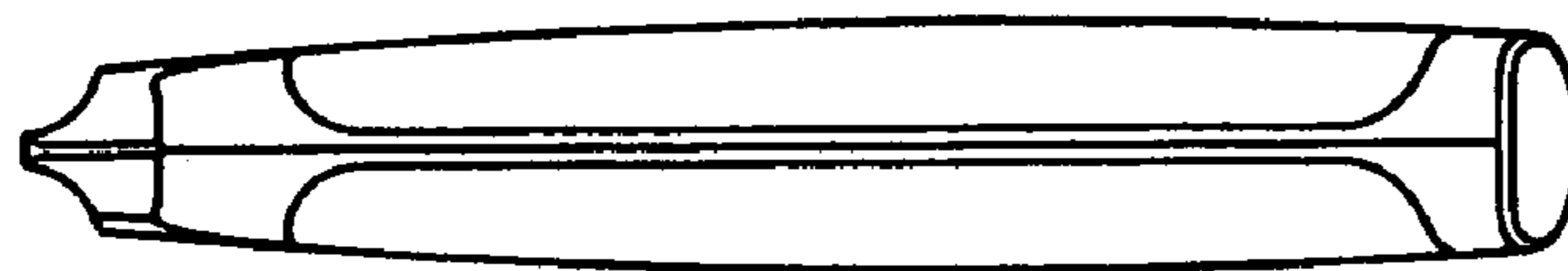


FIG. 4

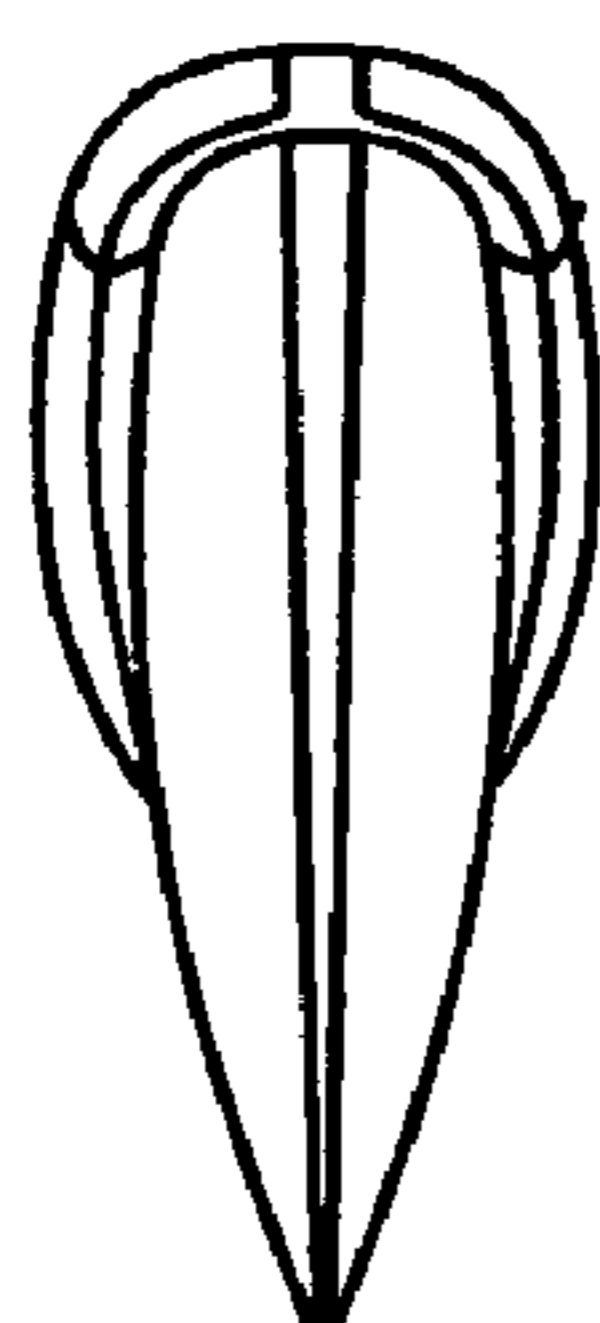


FIG. 5

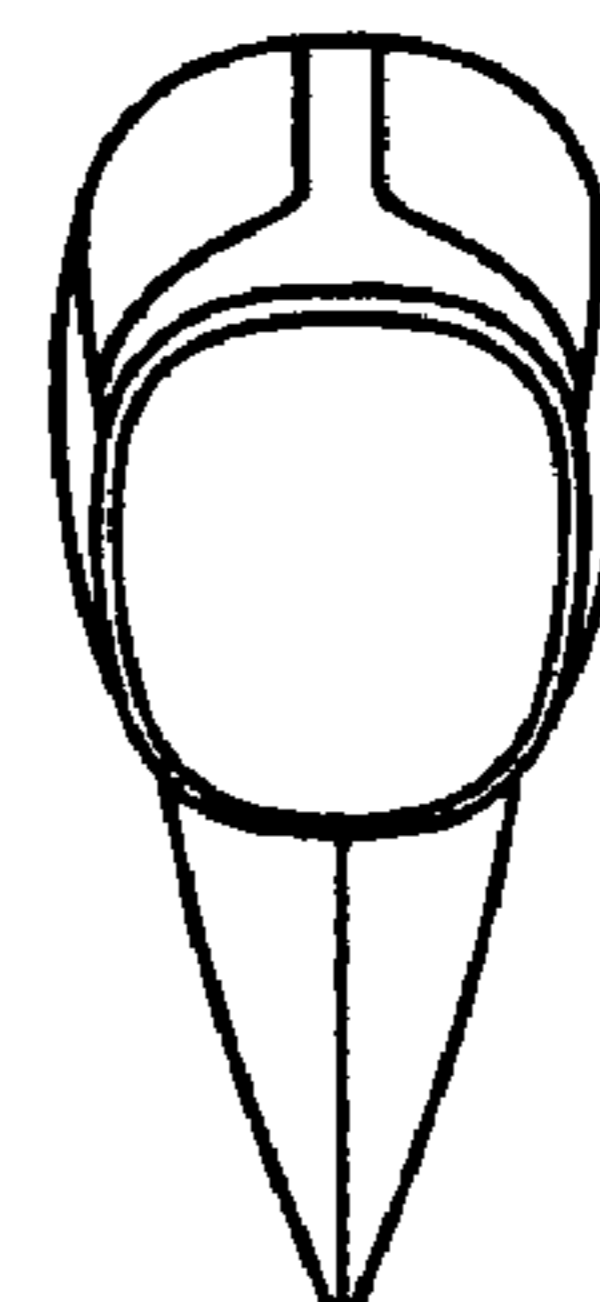


FIG. 6

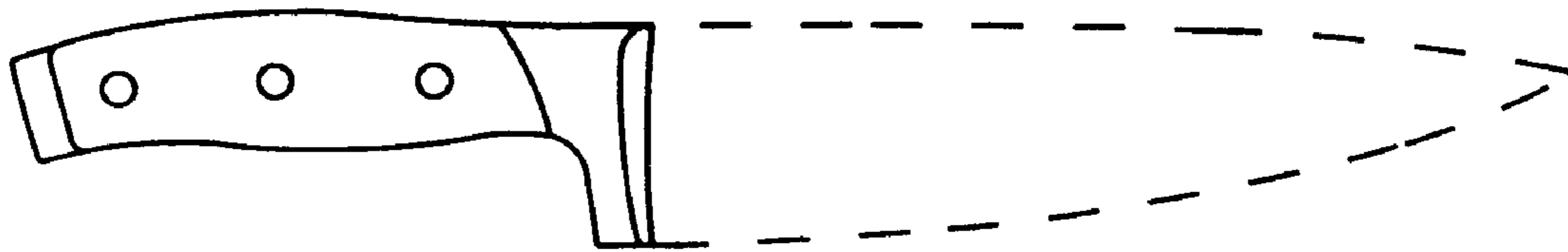


FIG. 7