



US00D649408S

(12) **United States Design Patent**
Delk et al.

(10) **Patent No.:** **US D649,408 S**

(45) **Date of Patent:** **** Nov. 29, 2011**

(54) **BEVERAGE CONTAINER HOLDER FOR USE WITH CUSHIONED FURNITURE**

(76) Inventors: **Robert M Delk**, Logandale, NV (US);
Patricia Ann Delk, Logandale, NV (US)

(**) Term: **14 Years**

(21) Appl. No.: **29/370,689**

(22) Filed: **Aug. 23, 2010**

(51) **LOC (9) Cl.** **07-06**

(52) **U.S. Cl.** **D7/620**

(58) **Field of Classification Search** D7/619.1-625;
248/311.2, 912; 297/188.18; 211/74, 71.01
See application file for complete search history.

(56) **References Cited**

U.S. PATENT DOCUMENTS

1,738,557	A *	12/1929	Beiling	297/188.18
D289,961	S *	5/1987	Hentrich	D7/620
4,863,134	A *	9/1989	Young et al.	248/311.2
D324,990	S *	3/1992	Gary	D7/619.1
5,238,212	A *	8/1993	Dechellis	248/311.2
D350,259	S *	9/1994	Ayotte	D7/620
D353,289	S *	12/1994	Ayotte et al.	D6/510
D358,967	S *	6/1995	Knighton	D7/620

D361,475	S *	8/1995	Strong	D7/620
5,474,272	A *	12/1995	Thompson et al.	248/311.2
D378,334	S *	3/1997	Legere	D7/620

* cited by examiner

Primary Examiner — Terry Wallace

(74) *Attorney, Agent, or Firm* — Robert M. Delik; Patricia A. Delik

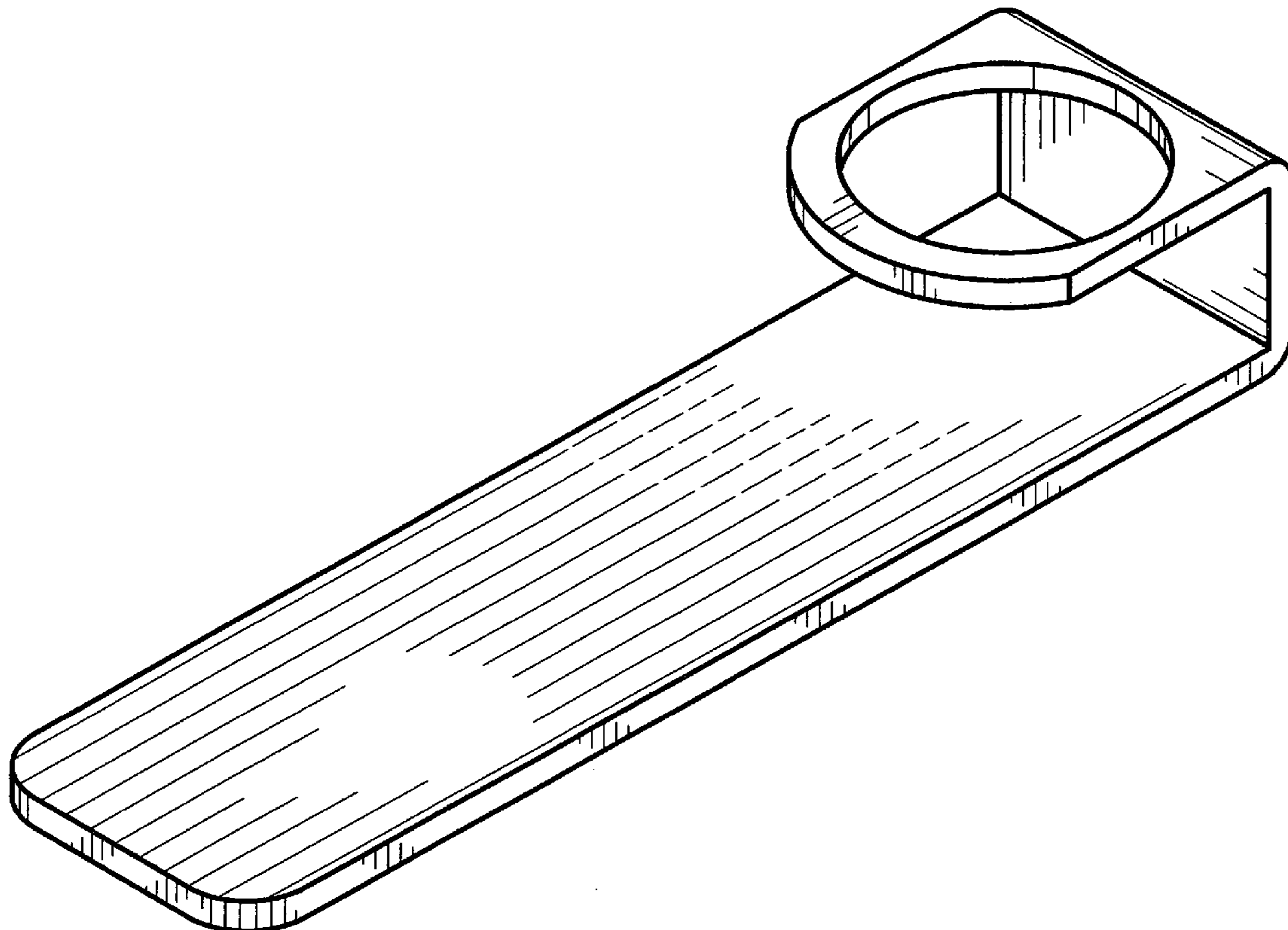
(57) **CLAIM**

The ornamental design for a beverage container holder for use with cushioned furniture, as shown and described.

DESCRIPTION

FIG. 1 is a perspective view of beverage container holder for use with cushioned furniture showing our new design thereof; FIG. 2 is a slightly reduced top view thereof. Bottom is flat and devoid of surface ornamentation thereof; FIG. 3 is a slightly reduced left elevational view, right side being a mirror image thereof; and, FIG. 4 is a perspective view of the beverage container for cushioned furniture installed on a bed; the broken lines showing a bed and beverage to be supported is for illustrative purposes only and forms no part of the claimed design.

1 Claim, 3 Drawing Sheets



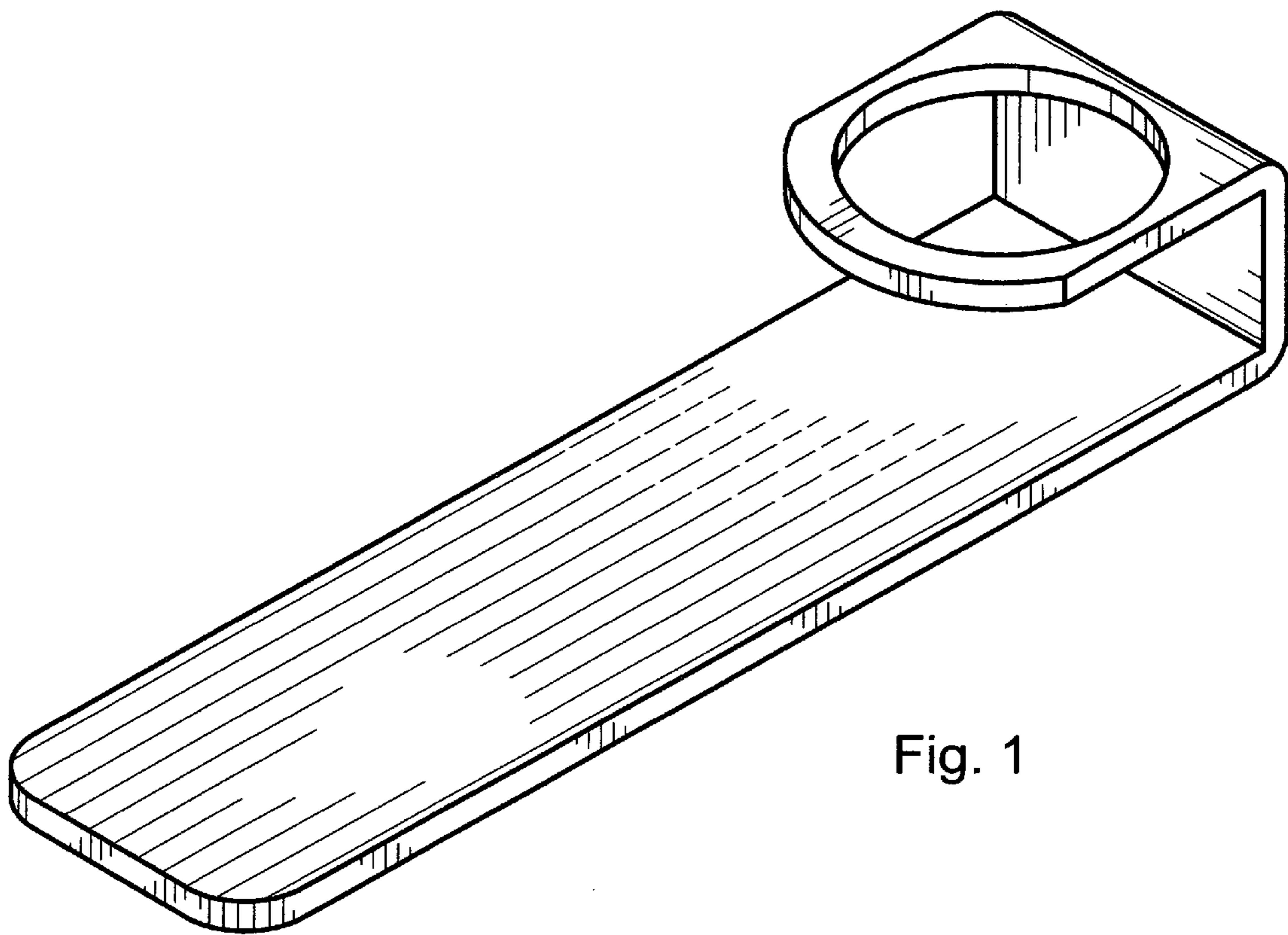


Fig. 1

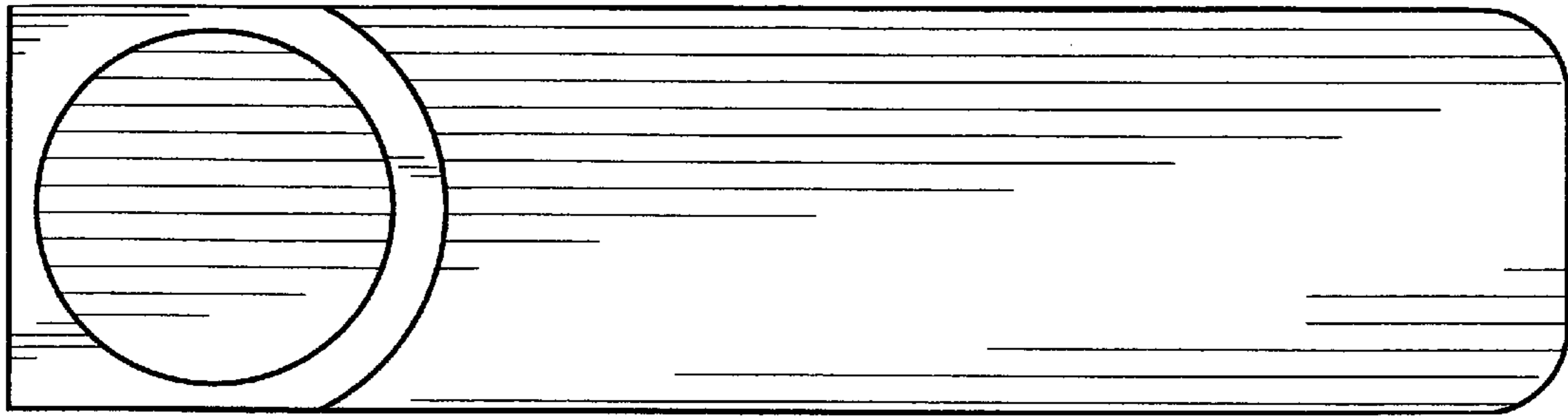


Fig. 2

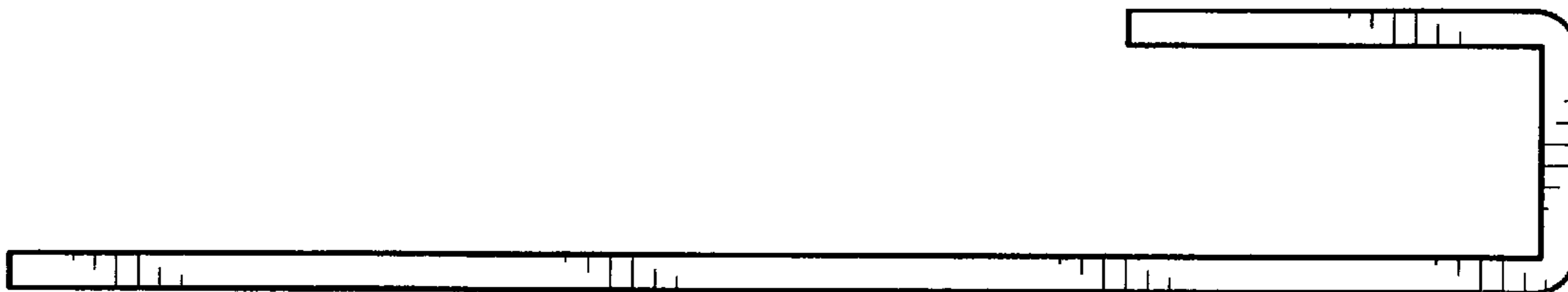


Fig. 3

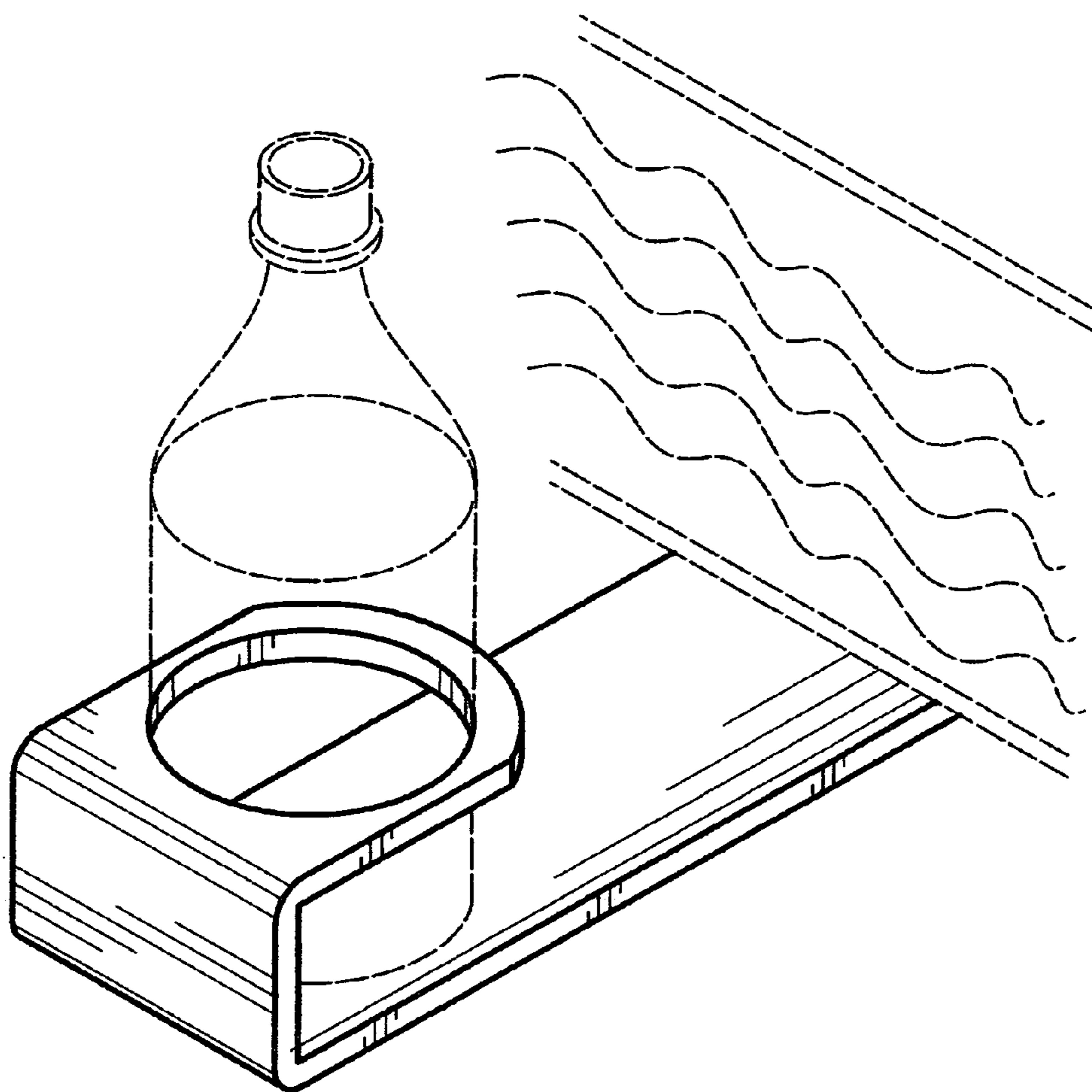


Fig. 4