



US00D649405S

(12) **United States Design Patent**
Lingo

(10) **Patent No.:** **US D649,405 S**

(45) **Date of Patent:** **** Nov. 29, 2011**

(54) **DRINKING GLASS**

(76) Inventor: **John L. Lingo**, Cocoa Beach, FL (US)

(**) Term: **14 Years**

(21) Appl. No.: **29/370,668**

(22) Filed: **Aug. 20, 2010**

(51) **LOC (9) Cl.** **07-01**

(52) **U.S. Cl.** **D7/523; D7/509; D24/224**

(58) **Field of Classification Search** **D7/509,**
D7/608, 523; 215/12.1, 13.1; 220/23.87;
D24/114, 224

See application file for complete search history.

(56) **References Cited**

U.S. PATENT DOCUMENTS

D286,072 S *	10/1986	Miller	D24/224
D287,204 S *	12/1986	Bierlein et al.	D7/523
D334,058 S *	3/1993	Noble	D24/116
D469,664 S *	2/2003	Marks et al.	D7/608
6,749,078 B2 *	6/2004	Iskra	220/23.87
D495,208 S *	8/2004	Putnam	D7/509
D543,783 S *	6/2007	Goldberg	D7/523
D560,969 S *	2/2008	Mansfield	D7/523

D583,058 S *	12/2008	Short	D24/162
D583,481 S *	12/2008	Yamamoto et al.	D24/224
D592,457 S *	5/2009	Mansfield	D7/523
D593,801 S *	6/2009	Wilson et al.	D7/510
D600,977 S *	9/2009	Mansfield	D7/523
D615,362 S *	5/2010	Handel	D7/523

* cited by examiner

Primary Examiner — Marianne Pandozzi

(74) *Attorney, Agent, or Firm* — William M. Hobby, III

(57) **CLAIM**

The ornamental design for a drinking glass, as shown and described.

DESCRIPTION

FIG. 1 is a perspective of a drinking glass showing my new design;

FIG. 2 is a side elevation;

FIG. 3 is a top plan view;

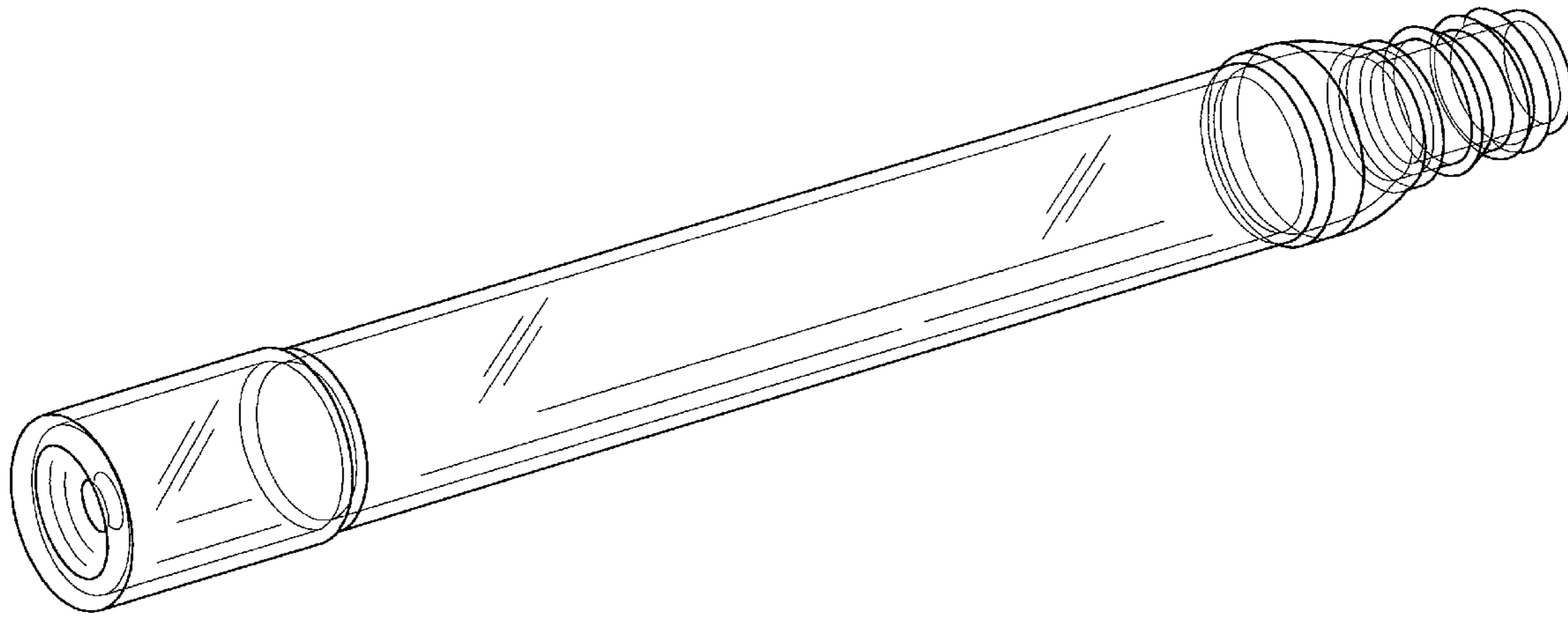
FIG. 4 is a bottom plan view;

FIG. 5 is a second side elevation;

FIG. 6 is a third side elevation; and,

FIG. 7 is a fourth side elevation, it being understood that the view from all sides is the same except for the screw threads.

1 Claim, 2 Drawing Sheets



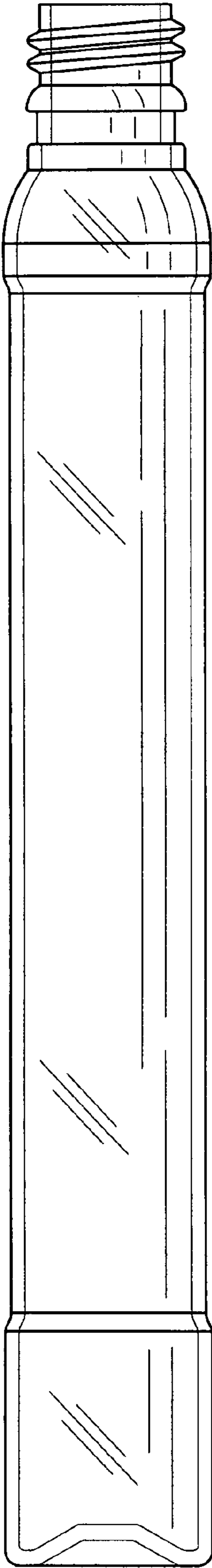


FIG. 2

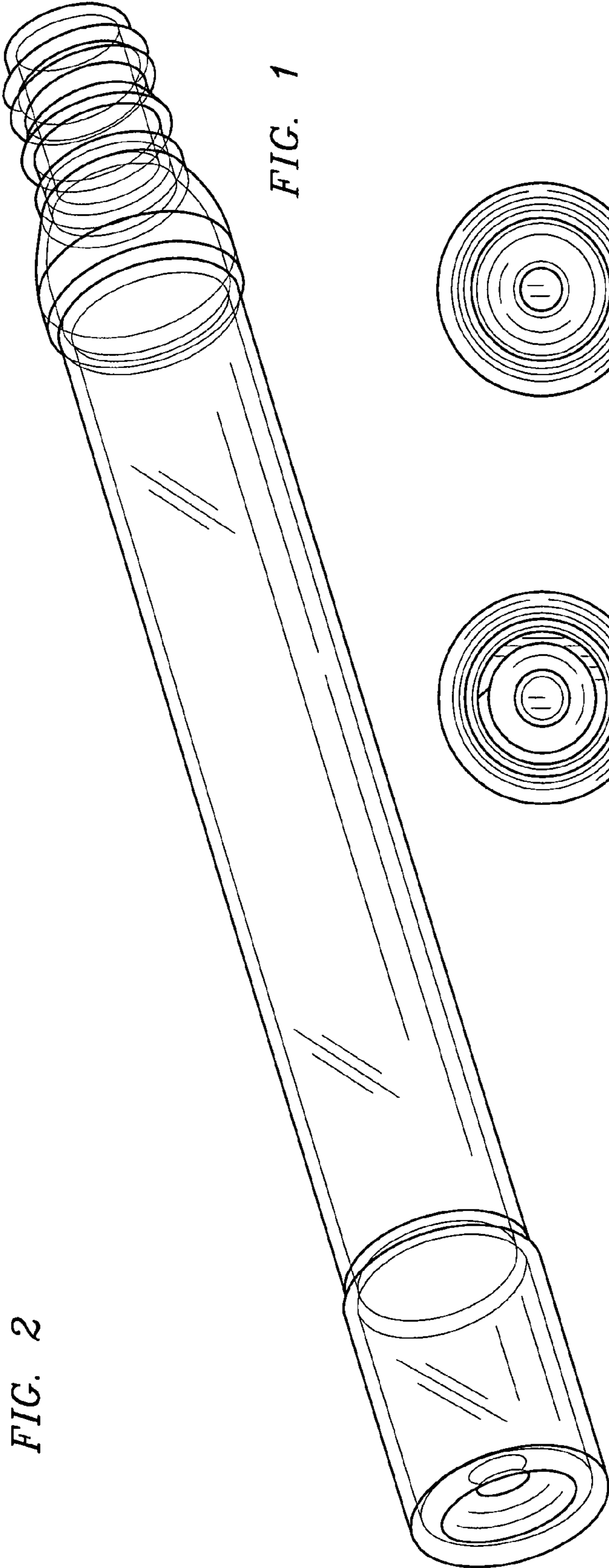


FIG. 1

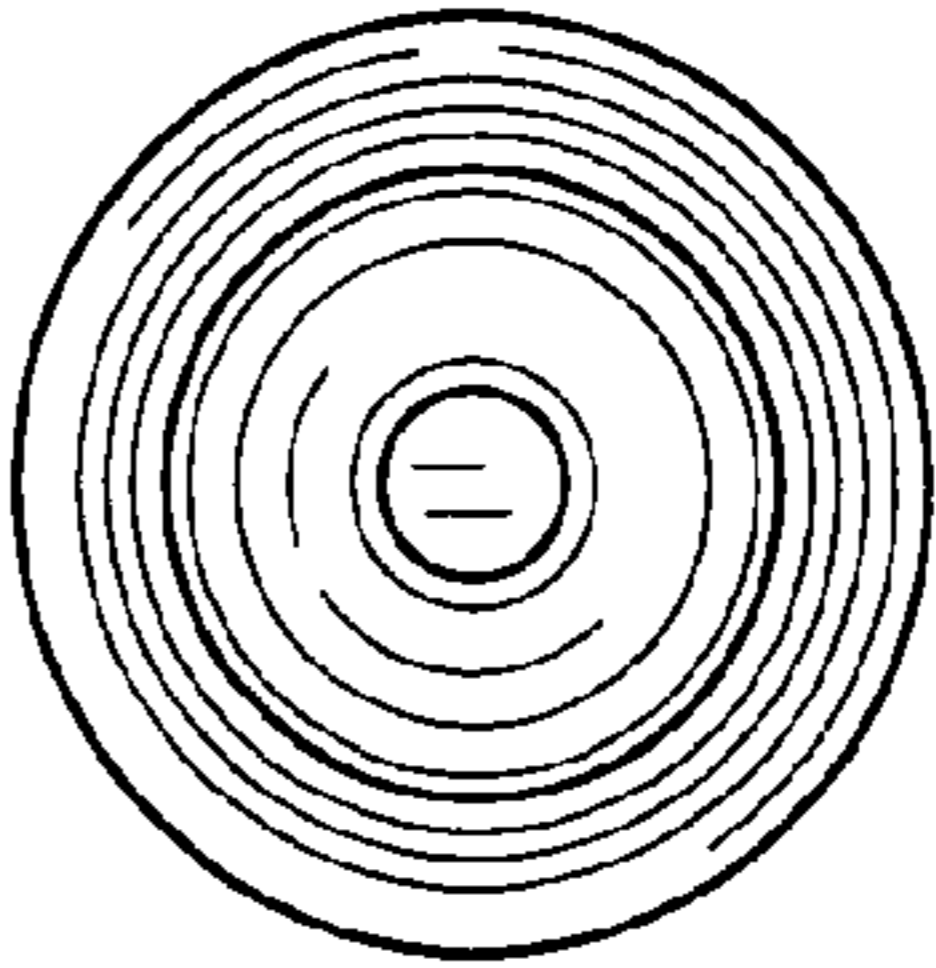


FIG. 4

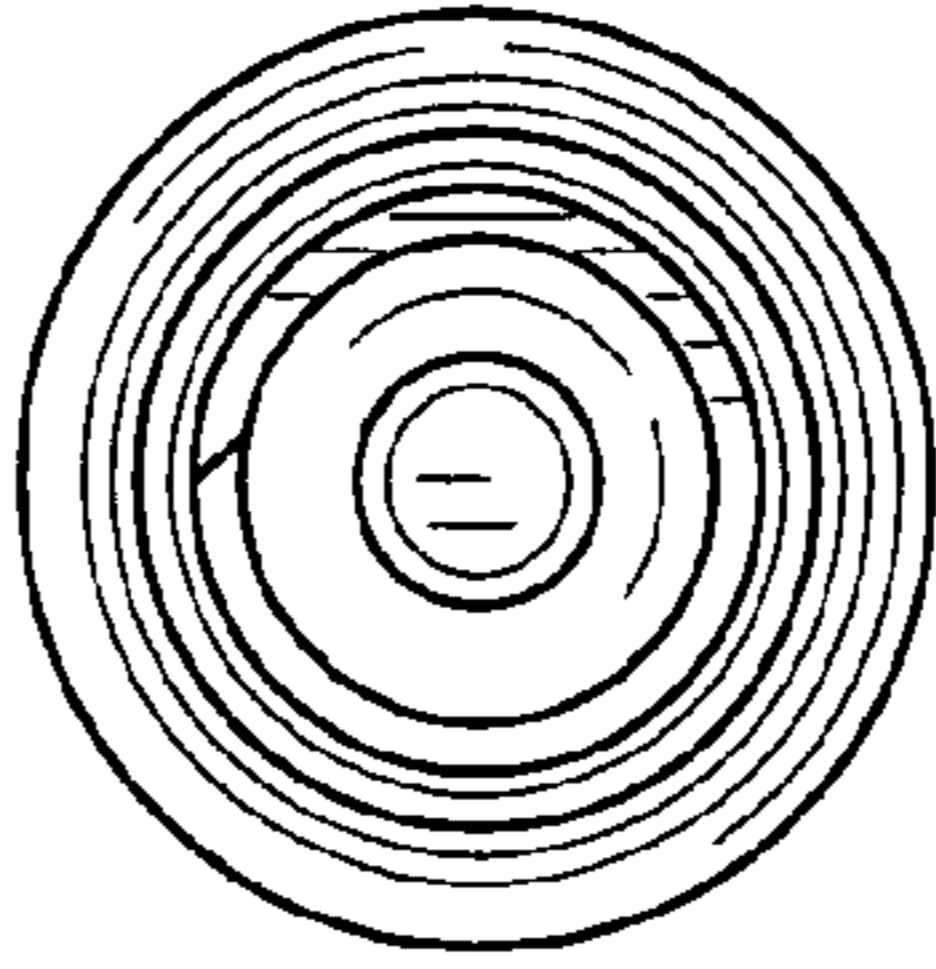


FIG. 3

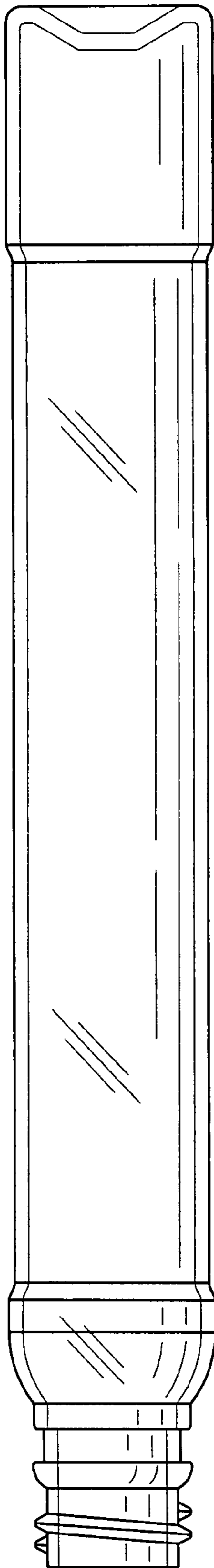


FIG. 5

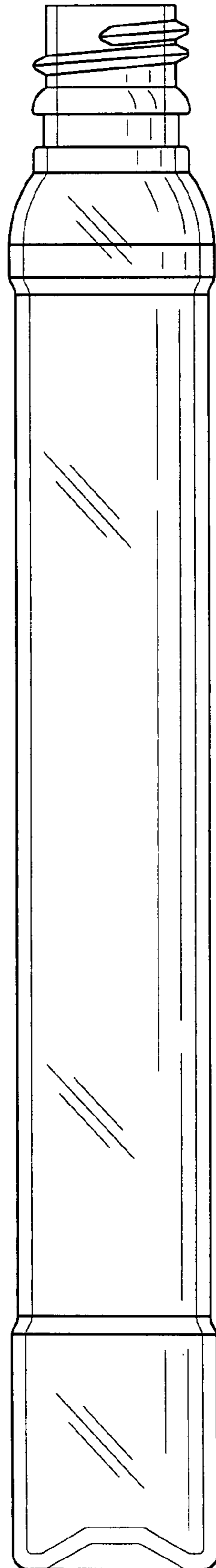


FIG. 6

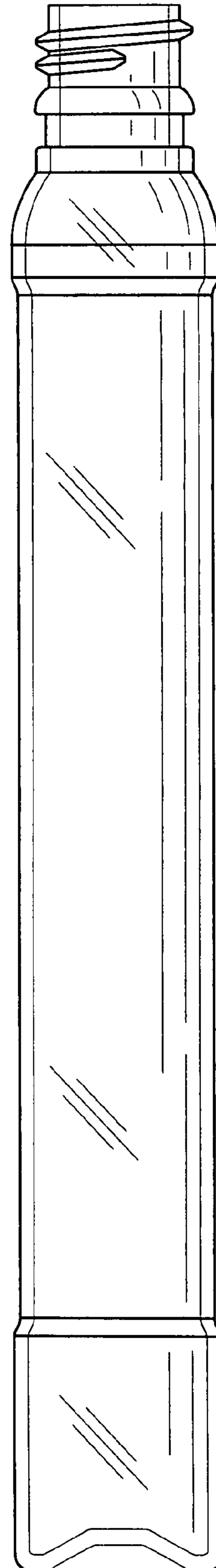


FIG. 7