



US00D649400S

(12) **United States Design Patent**
Sands

(10) **Patent No.:** **US D649,400 S**

(45) **Date of Patent:** **** Nov. 29, 2011**

(54) **KITCHEN FOOD PROCESSOR CONTAINER**

(75) Inventor: **Lenny Sands**, Los Angeles, CA (US)

(73) Assignee: **Baby Bullet, LLC**, Los Angeles, CA (US)

(**) Term: **14 Years**

(21) Appl. No.: **29/394,457**

(22) Filed: **Jun. 16, 2011**

Related U.S. Application Data

(63) Continuation of application No. 29/381,541, filed on Dec. 20, 2010, now abandoned.

(51) **LOC (9) Cl.** **07-02**

(52) **U.S. Cl.** **D7/413; D7/376; D7/378; D7/384; D7/412**

(58) **Field of Classification Search** D7/305–313, D7/317–318, 368, 372, 376–386, 412–415, D7/665; D14/403; D19/73; D22/122; D27/106; 99/326, 348, 508–511; 241/30–37.5, 101.01–101.2, 241/166–169.1, 282.2, 285.1–285.3, 291, 241/292.1; 366/64–67, 98, 142, 197–211, 366/241–254, 279–292, 341–347; 416/75–76, 416/70 R, 163

See application file for complete search history.

(56) **References Cited**

U.S. PATENT DOCUMENTS

1,480,914	A	1/1924	Poplawski
1,606,992	A	11/1926	Gilchrist
2,086,911	A	7/1937	Hill
D114,673	S	5/1939	Cravaritis
2,169,778	A	8/1939	Wildermann
D121,136	S	6/1940	Benson
2,299,730	A	10/1942	Bornstein

(Continued)

FOREIGN PATENT DOCUMENTS

CN 322076 9/2003

(Continued)

OTHER PUBLICATIONS

S. Korean advertisement, Jun. 22, 2000, Il jin Binics Co., Ltd., p. 11 picture.

<http://www.kissmixer.com/order/order1.htm>; downloaded Oct. 27, 2004.

<http://www.kissmixer.com/feature/feature1.htm> Downloaded Oct. 28, 2004.

(Continued)

Primary Examiner — Ricky Pham

(74) *Attorney, Agent, or Firm* — Trojan Law Office

(57) **CLAIM**

The ornamental design for a kitchen food processor container, as shown and described.

DESCRIPTION

FIG. 1 is a front view of the kitchen food processor container; FIG. 2 is a right side view of the kitchen food processor container shown in FIG. 1;

FIG. 3 is a left side view of the kitchen food processor container shown in FIG. 1;

FIG. 4 is a rear view of the kitchen food processor container shown in FIG. 1, wherein the smiley face located on the front is seen through a transparent material structure in the rear view;

FIG. 5 is a top view of the kitchen food processor container shown in FIG. 1;

FIG. 6 is a front view of the kitchen food processor container with the blender cup shown in isolation;

FIG. 7 is a right side view of the kitchen food processor container shown in FIG. 6;

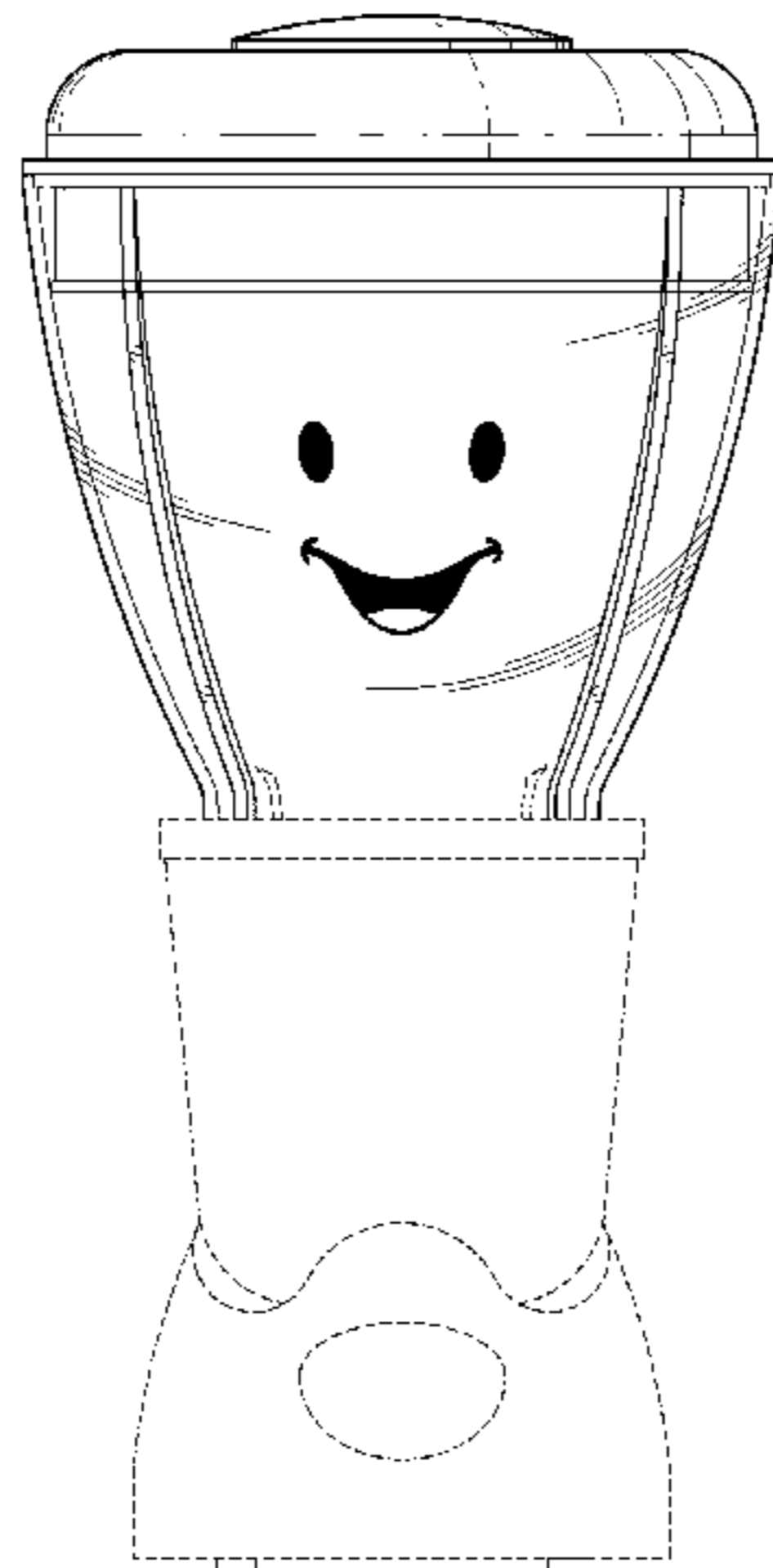
FIG. 8 is a left side view of the kitchen food processor container shown in FIG. 6;

FIG. 9 is a rear view of the kitchen food processor container shown in FIG. 6, wherein the smiley face located on the front is seen through a transparent material structure in the rear view; and,

FIG. 10 is a top view of the kitchen food processor container shown in FIG. 6.

The broken line portions of the disclosure are to illustrate environmental structure and form no part of the claimed design.

1 Claim, 10 Drawing Sheets



US D649,400 S

U.S. PATENT DOCUMENTS							
2,304,476	A	12/1942	Poplawski	D335,065	S	4/1993	Gildersleeve
2,433,248	A	12/1947	Sweier, Jr.	D335,382	S	5/1993	O'Brien
2,530,455	A	11/1950	Forss	5,222,430	A	6/1993	Wang
D173,548	S	11/1954	Talge	5,232,552	A	8/1993	Lundberg et al.
D178,593	S	8/1956	Cervený et al.	D341,522	S	11/1993	Lamson et al.
D179,382	S	11/1956	Danin	5,257,575	A	11/1993	Harrison et al.
2,795,958	A	6/1957	Frank	D343,987	S	2/1994	Rotte
2,800,310	A	7/1957	Snyder	5,289,763	A	3/1994	Le Rouzic et al.
D183,542	S	9/1958	Posener	5,302,021	A	4/1994	Jennett et al.
RE24,607	E	2/1959	Seyfried	D347,966	S	6/1994	Doggett
2,920,875	A	1/1960	Marfuggi	5,323,973	A	6/1994	Ferrara, Jr.
2,975,946	A	3/1961	Westgate	5,325,982	A	7/1994	Cobb, Jr.
3,032,087	A	5/1962	Rodwick	5,353,697	A	10/1994	Venturati et al.
3,064,949	A	11/1962	Dewenter	5,355,784	A	10/1994	Frankin et al.
D195,073	S	4/1963	Freedman	5,397,097	A	3/1995	Dale
3,085,710	A	4/1963	McIlroy	5,405,096	A	4/1995	Seol
3,101,107	A	8/1963	Posener et al.	5,446,995	A	9/1995	Huber
3,101,857	A	8/1963	Freedman	5,460,082	A	10/1995	Kooyker et al.
3,140,019	A	7/1964	Barr	5,479,851	A	1/1996	McCleane et al.
D204,924	S	5/1966	Di Sesa	5,480,043	A	1/1996	Wingo
3,299,226	A	1/1967	Edwards	5,487,482	A	1/1996	Rochelau
3,315,946	A	4/1967	Nissman	5,500,967	A	3/1996	Wilson et al.
3,346,029	A	10/1967	Harris, Jr.	5,524,530	A	6/1996	Nijzinh et al.
3,417,972	A	12/1968	Conway	5,531,353	A	7/1996	Ward et al.
3,504,816	A	4/1970	Weichsel	D372,835	S	8/1996	Leverrier
3,537,691	A	11/1970	Miyoshi et al.	5,580,926	A	12/1996	Shalati et al.
D220,416	S	4/1971	Folden	5,592,872	A	1/1997	Kooyker et al.
3,612,125	A	10/1971	Krauth	5,636,923	A	6/1997	Nejat-Bina
3,612,126	A	10/1971	Emmons et al.	5,639,161	A	6/1997	Sirianni
3,627,008	A	12/1971	Samuellan	5,662,032	A	9/1997	Baratta
3,704,864	A	12/1972	Lee	5,690,021	A	11/1997	Grey
3,818,858	A	6/1974	Kramer et al.	D388,275	S	12/1997	Joergensen
D233,929	S	12/1974	Yuen	5,692,630	A	12/1997	Hsu
3,881,705	A	5/1975	Greenspan	5,720,552	A	2/1998	Schindlegger
3,885,710	A	5/1975	Cohen	D395,200	S	6/1998	Bidwell
3,895,548	A	7/1975	Sauve	5,799,811	A	9/1998	Bruckner et al.
3,970,258	A	7/1976	Mantelet	D399,050	S	10/1998	Evans
3,990,596	A	11/1976	Hoftman	D400,757	S	11/1998	Hippen et al.
4,000,839	A	1/1977	Tecco et al.	D403,202	S	12/1998	Cousins
4,087,053	A	5/1978	Voglesonger	D404,247	S	1/1999	Spagnolo
D248,204	S	6/1978	Daenen	5,863,118	A	1/1999	Ackels et al.
4,111,372	A	9/1978	Hicks et al.	D406,154	S	2/1999	Copland et al.
4,194,697	A	3/1980	Lembeck	5,875,706	A	3/1999	Borger et al.
4,233,891	A	11/1980	Schindler et al.	5,882,113	A	3/1999	Binder
4,240,338	A	12/1980	McLean	D410,388	S	6/1999	Fisher
4,274,563	A	6/1981	Otterson	5,911,504	A	6/1999	Schindlegger, Jr.
D260,350	S	8/1981	Kahlcke	D412,262	S	7/1999	Roundtree
4,284,200	A	8/1981	Bush et al.	D412,809	S	8/1999	Toro et al. D7/378
4,345,517	A	8/1982	Arao et al.	5,979,806	A	11/1999	Borger et al.
4,350,087	A	9/1982	Ramirez	D422,208	S	4/2000	Brose
4,368,826	A	1/1983	Thompson	6,050,180	A	4/2000	Moline
4,397,427	A	8/1983	Howard	D423,872	S	5/2000	Blaise
4,480,926	A	11/1984	Lattery, Jr. et al.	6,065,861	A	5/2000	Chen
4,487,509	A	12/1984	Boyce	6,112,649	A	9/2000	Jeong
4,506,601	A	3/1985	Ramirez et al.	6,116,469	A	9/2000	Wallays et al.
D278,602	S	4/1985	Rosenstein	6,135,019	A	10/2000	Chou
4,542,857	A	9/1985	Akasaka	D434,415	S	11/2000	Levey et al.
D281,945	S	12/1985	Boyce	6,189,441	B1	2/2001	Beaudet et al.
4,561,782	A	12/1985	Jacobsen et al.	6,193,407	B1	2/2001	Kubicz
4,621,670	A	11/1986	Yuen	D439,797	S	4/2001	Planca et al. D7/378
4,688,478	A	8/1987	Williams	D439,808	S	4/2001	McCleane et al.
4,708,487	A	11/1987	Marshall	D440,813	S	4/2001	Gort-Barten
4,714,203	A	12/1987	Williams	D441,370	S	5/2001	Alviar
4,716,823	A	1/1988	Capdevila	6,223,652	B1	5/2001	Calia et al.
4,723,719	A	2/1988	Williams	D444,032	S	6/2001	Isaacs
4,744,522	A	5/1988	Borgman et al.	D444,702	S	7/2001	Castleberry, II
4,773,765	A	9/1988	Erskine	D445,634	S	7/2001	Feil
D298,204	S	10/1988	Mikami	D445,635	S	7/2001	Gort-Barten
4,842,158	A	6/1989	Reyes, Jr.	D446,995	S	8/2001	Porche et al.
4,889,248	A	12/1989	Bennett	6,299,085	B1	10/2001	Ekstrom
D309,364	S	7/1990	Shaw et al.	D453,443	S	2/2002	Hoare et al. D7/378
4,955,513	A	9/1990	Bennett	D463,194	S	9/2002	Busick et al.
D317,722	S	6/1991	Todd	D465,127	S	11/2002	Lee
D318,398	S	7/1991	Disco	6,481,342	B2	11/2002	Thackray
D320,717	S	10/1991	O'Brien	D468,389	S	1/2003	Israel et al.
5,071,077	A	12/1991	Arroubi et al.	D470,050	S	2/2003	Renz et al.
5,074,201	A	12/1991	Takeyama et al.	6,523,994	B2	2/2003	Lawson
D325,322	S	4/1992	Maass	D471,408	S	3/2003	Fouquet
				6,536,335	B1	3/2003	Ashworth

US D649,400 S

6,598,518 B2	7/2003	Wong		7,364,348 B1	4/2008	Jones
D478,592 S	8/2003	Heard et al.		D569,163 S *	5/2008	Gu et al. D7/307
6,609,821 B2	8/2003	Wulf et al.		7,371,004 B1	5/2008	Branson et al.
D483,607 S	12/2003	Chang Chien		D570,648 S	6/2008	Bodum
D483,994 S	12/2003	Boyle et al.		D571,144 S	6/2008	Nikkhah
D486,997 S	2/2004	Janky		7,384,182 B2	6/2008	Bhavnani
D487,213 S	3/2004	Boyle et al.		D572,092 S	7/2008	Since
D487,668 S	3/2004	Sands		D577,257 S	9/2008	Kuan
D488,957 S	4/2004	Holderfield et al.		D580,986 S *	11/2008	Farnworth et al. D19/73
D490,875 S	6/2004	Kim		D588,864 S	3/2009	Sands
6,758,592 B2	7/2004	Wulf et al.		7,617,766 B2	11/2009	Tracy et al.
6,786,440 B2	9/2004	Ling et al.		D613,547 S	4/2010	Day et al.
6,796,705 B1	9/2004	Khubani		D625,138 S	10/2010	Feller et al.
6,814,323 B2	11/2004	Starr et al.		D642,859 S *	8/2011	Cozzolino et al. D7/381
6,817,750 B1	11/2004	Sands		2001/0036124 A1	11/2001	Rubenstein
D499,603 S	12/2004	Nikkhah		2001/0046183 A1	11/2001	Lawson
6,832,543 B2	12/2004	Siano et al.		2002/0012288 A1	1/2002	Masip
D500,633 S	1/2005	Sands		2002/0176320 A1	11/2002	Wulf et al.
D501,310 S	2/2005	Smarte		2003/0193833 A1	10/2003	Wulf et al.
D501,370 S	2/2005	Hensel et al.		2003/0213373 A1	11/2003	Dickson, Jr.
D501,759 S	2/2005	Sands		2003/0214875 A1	11/2003	Dickson, Jr.
D502,358 S *	3/2005	Weaden D7/378		2003/0226923 A1	12/2003	Starr et al.
D504,049 S	4/2005	Morano et al.		2003/0230658 A1	12/2003	Ling et al.
D506,108 S	6/2005	Cohen et al.		2004/0045972 A1	3/2004	Stokes
6,938,768 B2	9/2005	Ferretti et al.		2004/0173105 A1	9/2004	Kim et al.
D512,265 S	12/2005	McCurrach		2005/0047272 A1	3/2005	Sands
6,978,908 B2	12/2005	Morano et al.		2005/0068846 A1	3/2005	Wulf et al.
D513,943 S	1/2006	Hsu		2005/0068847 A1	3/2005	Sands
D514,396 S	2/2006	Feil		2005/0112024 A1	5/2005	Guo et al.
D515,729 S	2/2006	Haywood		2005/0122837 A1	6/2005	Bravard et al.
D517,862 S	3/2006	Sands		2005/0185507 A1	8/2005	Beesly et al.
D518,994 S	4/2006	Lin		2005/0194342 A1	9/2005	Nhan et al.
D519,314 S	4/2006	Blaise		2005/0207270 A1	9/2005	Beesley
D519,321 S	4/2006	Sands		2005/0229795 A1	10/2005	Stuckey
D521,802 S	5/2006	Sands		2006/0007779 A1	1/2006	Fernandez et al.
7,040,220 B1	5/2006	Cohen et al.		2006/0075907 A1	4/2006	Hsu
7,040,799 B2	5/2006	Pryor, Jr.		2006/0105095 A1	5/2006	Anthony et al.
D522,321 S	6/2006	Hsu		2006/0120215 A1	6/2006	Sands
7,063,456 B2	6/2006	Miller et al.		2006/0153003 A1	7/2006	Sands
7,066,640 B2	6/2006	Sands		2006/0176770 A1	8/2006	Sands
D525,482 S	7/2006	Kassenaar		2006/0209627 A1	9/2006	McGill
D526,156 S	8/2006	Yeung		2007/0107609 A1	5/2007	Barker et al.
D526,540 S	8/2006	Cohen et al.		2007/0147171 A1	6/2007	Reyes et al.
D529,758 S	10/2006	Beesley et al.		2007/0183256 A1	8/2007	Sands
D530,565 S	10/2006	Grcic		2007/0212465 A1	9/2007	Visram et al.
D530,975 S	10/2006	Fernandez		2008/0196602 A1	8/2008	Sands
D532,251 S	11/2006	Kassenaar		2008/0264270 A1	10/2008	Peng
D532,255 S	11/2006	Sands		2010/0116145 A1	5/2010	Tracy et al.
D532,648 S	11/2006	Sands				
D533,020 S	12/2006	Kassenaar et al.				
D533,395 S	12/2006	Drees et al.				
D534,394 S	1/2007	Zhiwen et al.				
D536,216 S	2/2007	Sands				
D537,303 S	2/2007	Stuckey				
D537,674 S	3/2007	Davenport et al.				
D538,115 S	3/2007	Lin				
D538,116 S	3/2007	Siu				
D539,080 S	3/2007	Zhiwen et al.				
D543,072 S	5/2007	Ting et al.				
7,213,965 B2	5/2007	Daniels, Jr.				
7,220,049 B2	5/2007	Lee				
D546,118 S	7/2007	Sands				
D550,029 S	9/2007	Nikkhah				
D551,521 S	9/2007	Chang Chien				
7,267,478 B2	9/2007	Miller et al.				
D551,914 S	10/2007	Chang Chien				
D553,909 S	10/2007	Bodum				
7,278,779 B2	10/2007	Beesley et al.				
D554,426 S	11/2007	Sands				
D554,427 S	11/2007	Sands				
D554,938 S	11/2007	Garman et al.				
D556,505 S	12/2007	Wu				
D557,559 S	12/2007	Sands				
7,320,542 B2	1/2008	Tai				
D560,963 S	2/2008	Alzheimer et al.				
D560,972 S	2/2008	Sung				
D563,154 S	3/2008	Comstock et al.				
D563,164 S	3/2008	Sands				
D565,412 S	4/2008	Fuller				

FOREIGN PATENT DOCUMENTS

DE	19602147	7/1997
EP	0562310	9/1993
GB	2361470	10/2001
GB	2403707	7/2003
GB	2428961	8/2005
JP	01145030	6/1989
JP	04017820	1/1992
JP	5-199943	8/1993
JP	5-199944	8/1993
JP	05199943	8/1993
JP	05245052	9/1993
JP	6-319656	11/1994
JP	07204110	8/1995
JP	07227165	8/1995
JP	07227166	8/1995
JP	07231856	9/1995
JP	08196439	8/1996
JP	9-65988	3/1997
JP	10-117944	5/1998
JP	11-137454	5/1999
JP	2000-201837	7/2000
JP	2000-201838	7/2000
JP	2002-177155	6/2002
JP	2002-291627	10/2002
JP	2002-336139	11/2002
JP	2003-259995	9/2003
JP	2003259994	9/2003
JP	2004-16693	1/2004
JP	2005066351	3/2005

US D649,400 S

Page 4

JP	2005-177126	7/2005
JP	2006-061639	3/2006
JP	2006-231085	9/2006
JP	2007275503	10/2007
KR	10-0263732	5/2000
KR	20-0202865	8/2000
KR	10-0323245	1/2002
WO	03003888	1/2003
WO	03005871	1/2003
WO	03075726	9/2003
WO	2006117444	11/2006
WO	2007126409	11/2007

OTHER PUBLICATIONS

STP America, Inc., Kiss Mixer Blender, Mar. 7, 2006. Published on <http://www.kissmixer.com/feature/feature1.htm>, pertinent pp. 4.

STP America, Inc., Kiss Mixer Blender, Mar. 7, 2006. Published on <http://www.kissmixer.com/order/order1.htm>, pertinent pp. 2.

STP America, Inc., Kiss Mixer Blender, Mar. 7, 2006. Published on <http://www.kissmixer.com/order/as1.htm>, pertinent pp. 3.

* cited by examiner

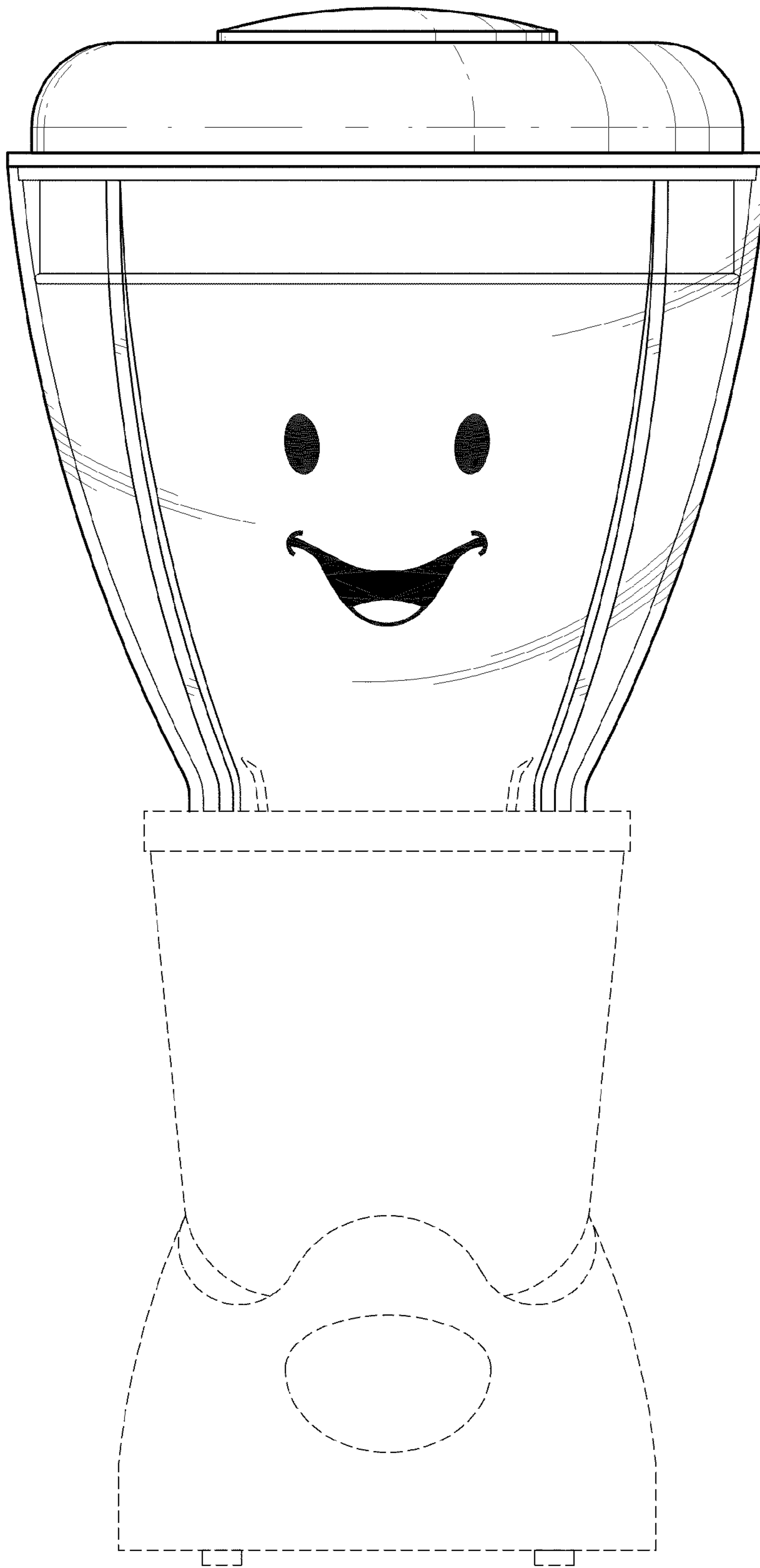


FIG. 1

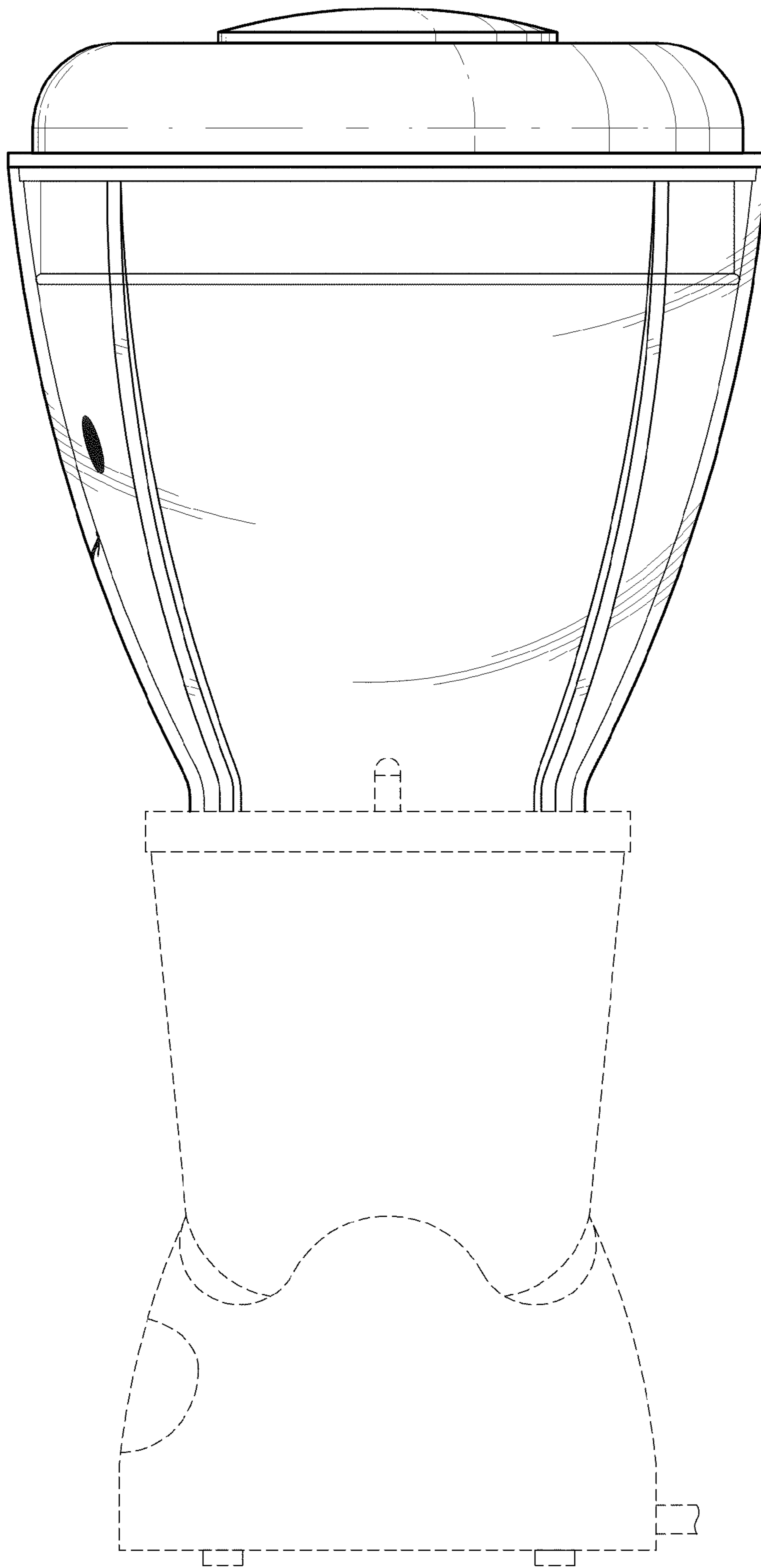


FIG. 2

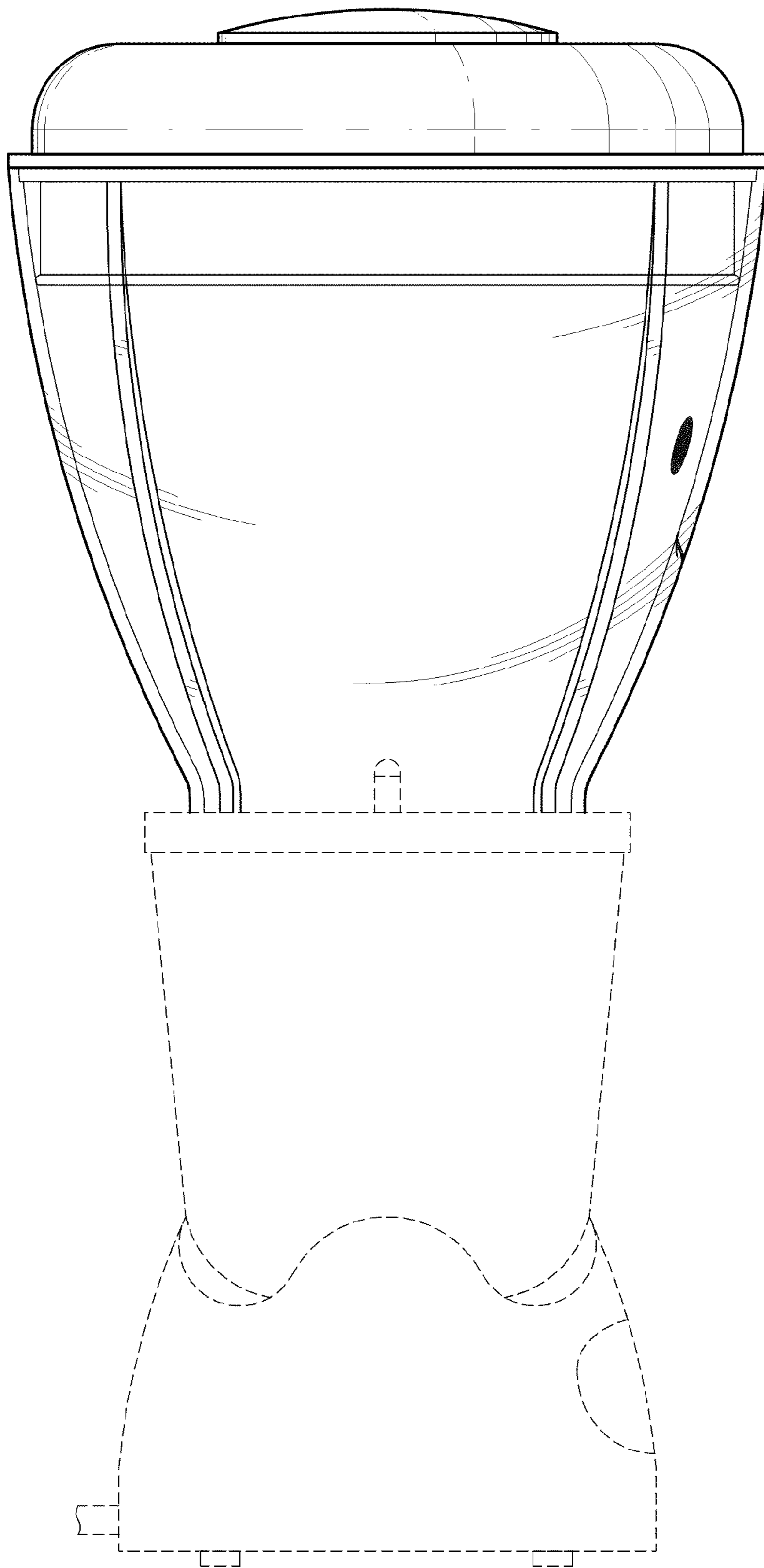


FIG. 3

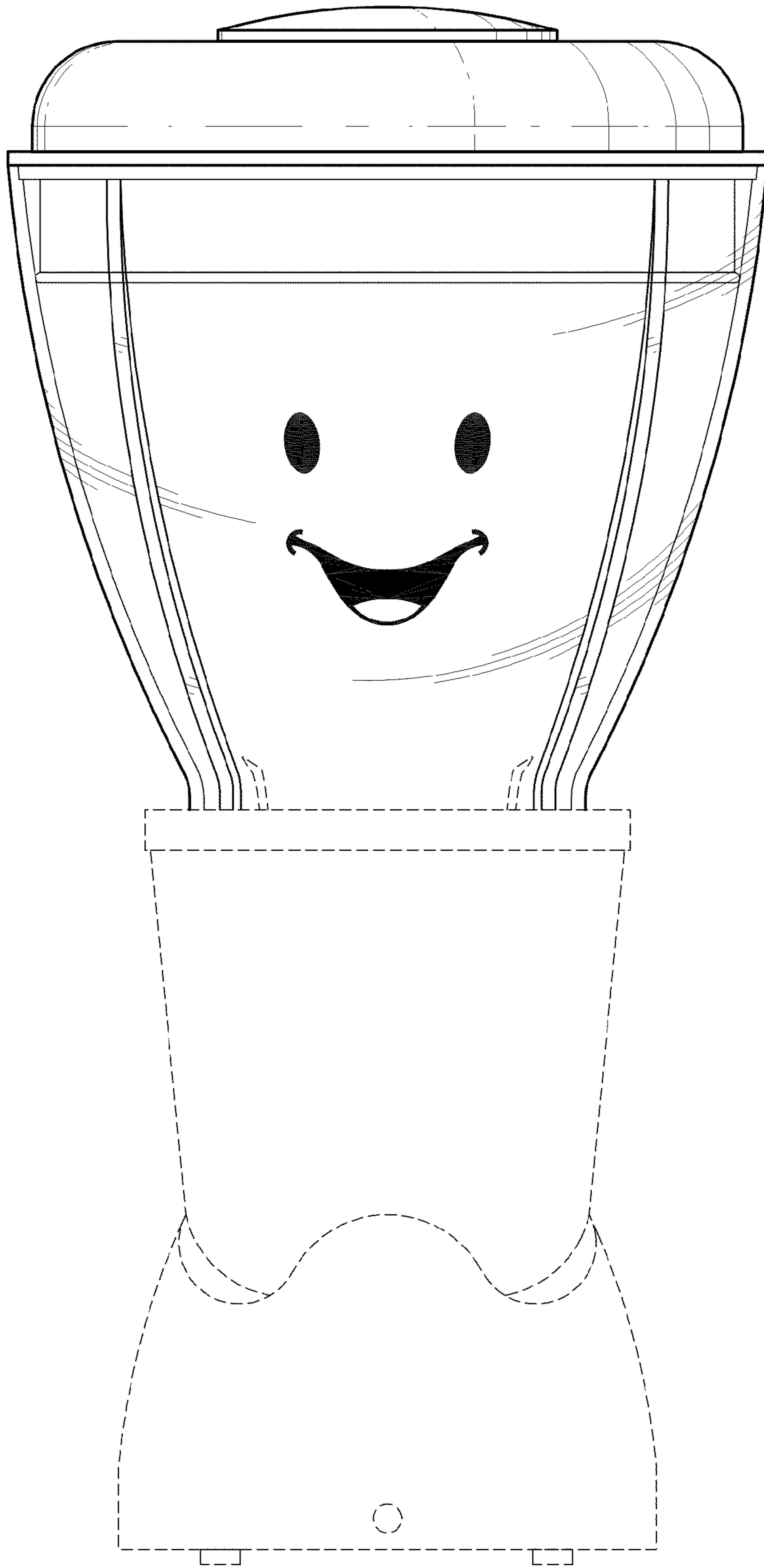


FIG. 4

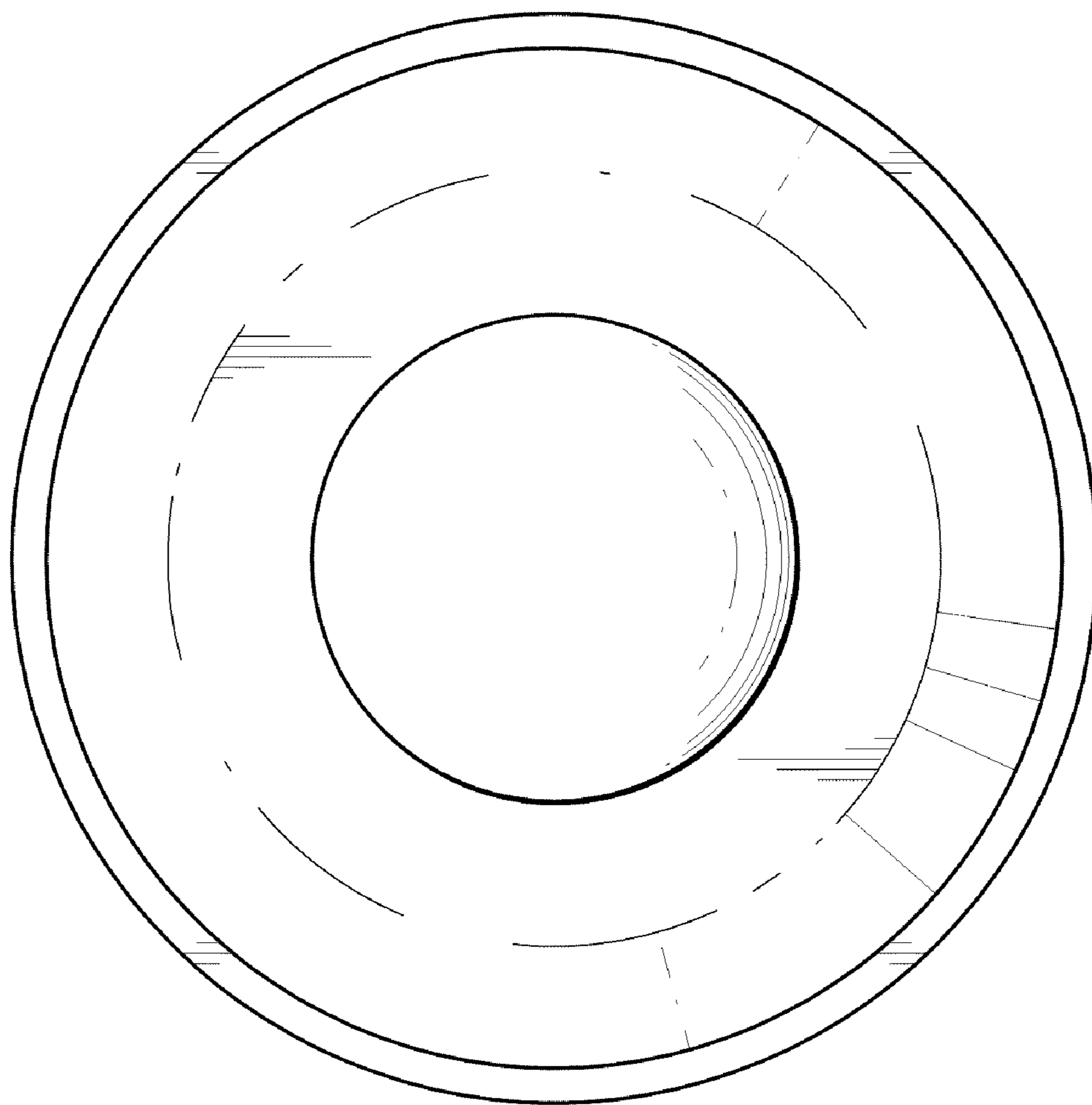


FIG. 5

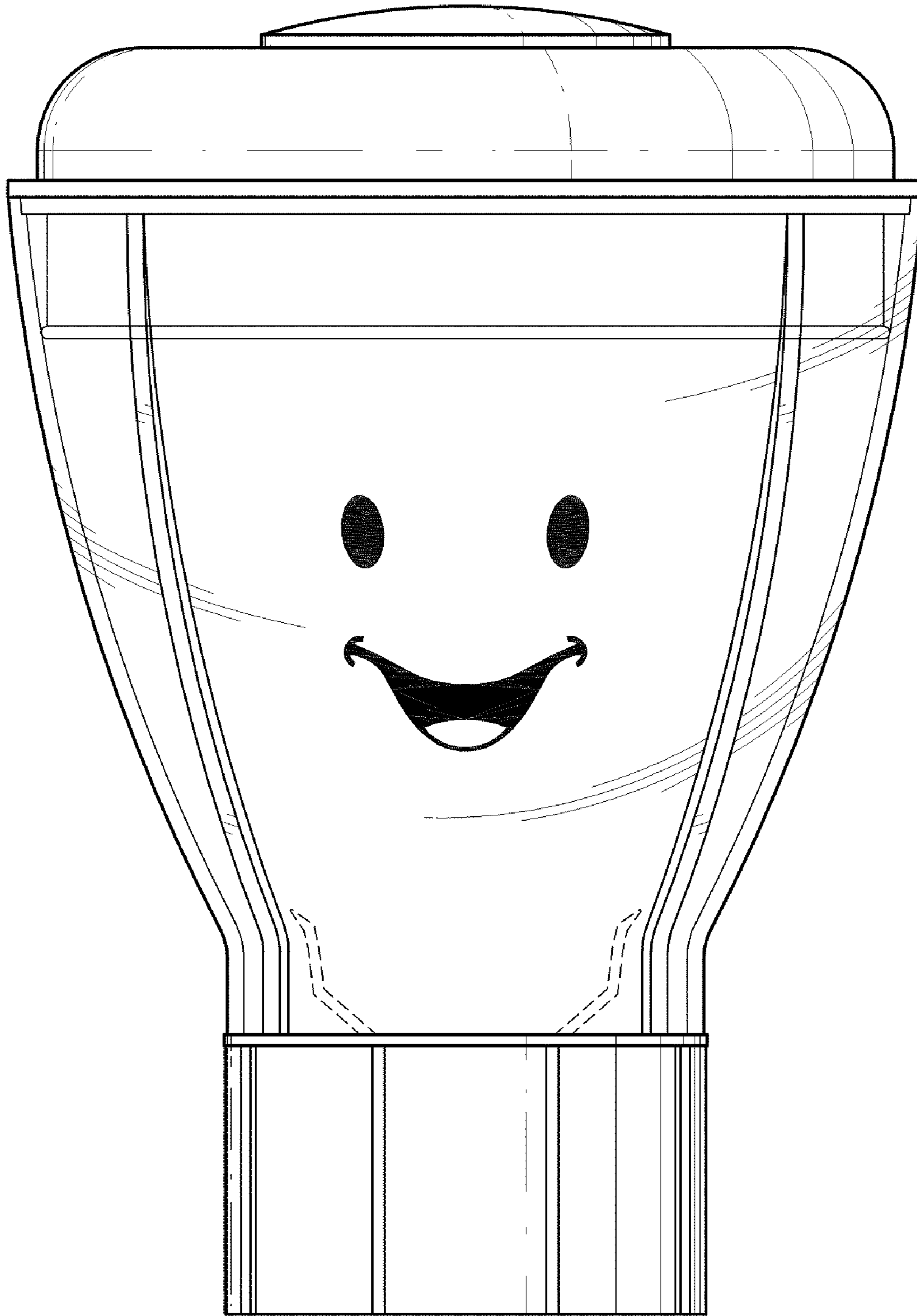


FIG. 6

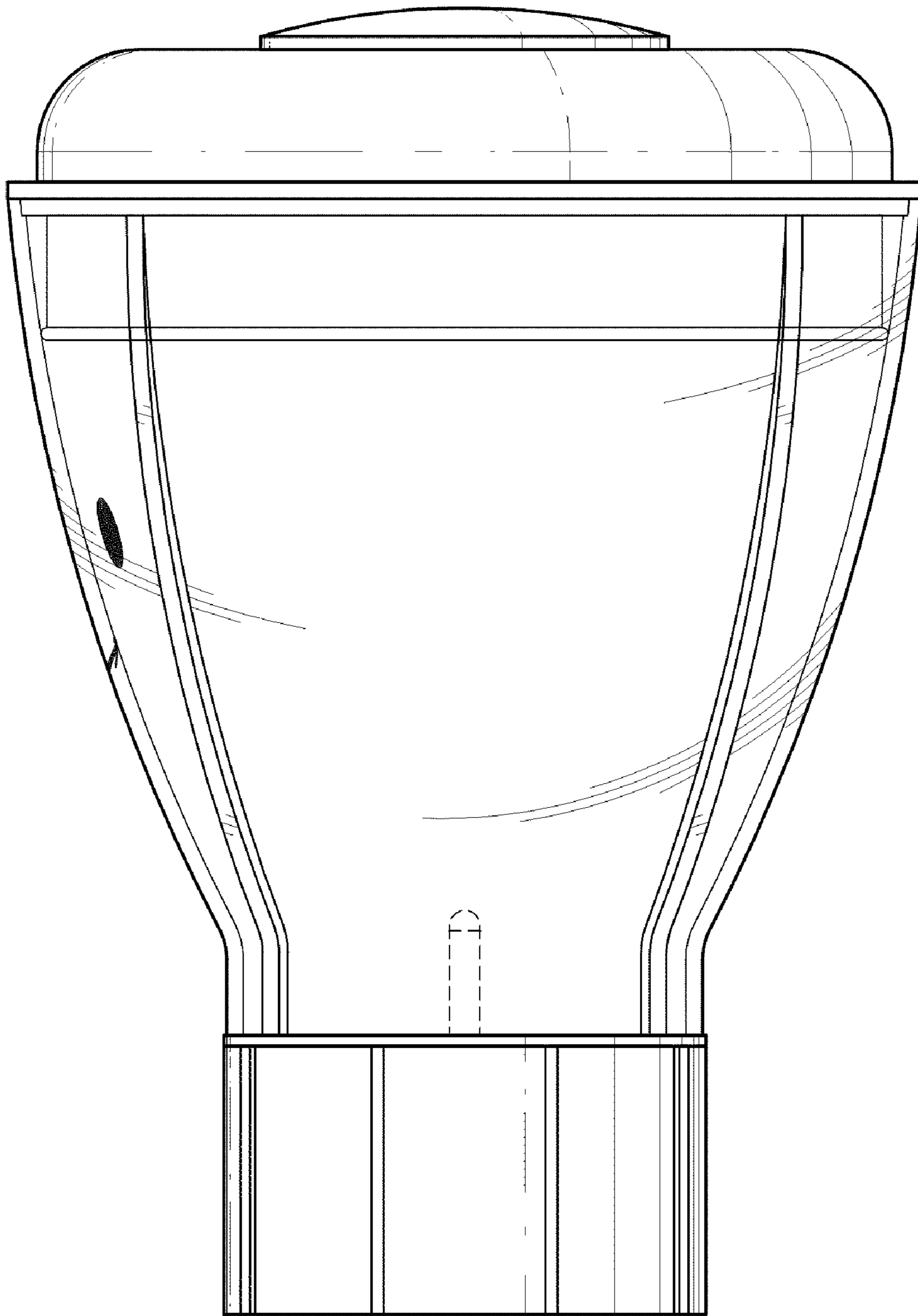


FIG. 7

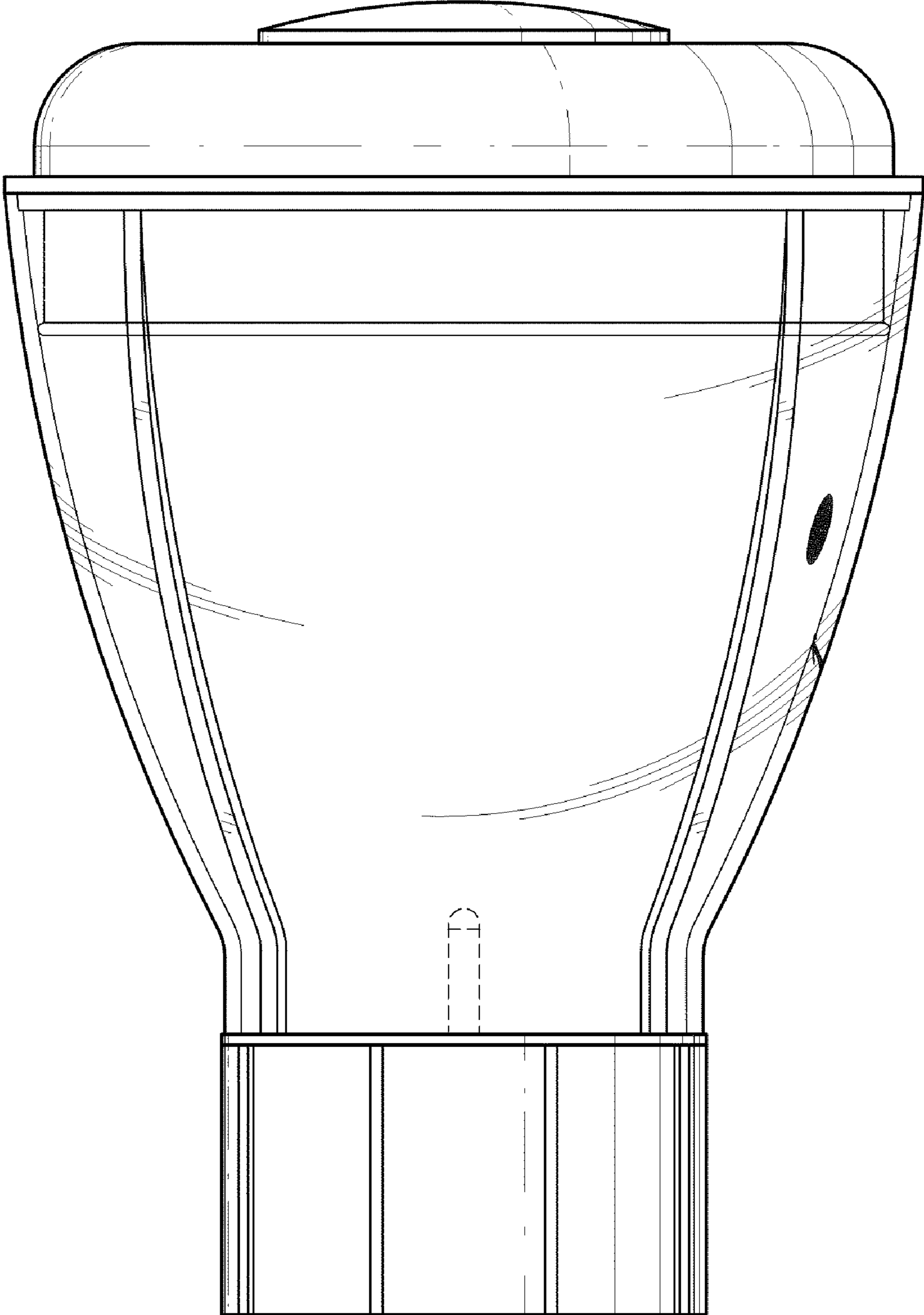


FIG. 8

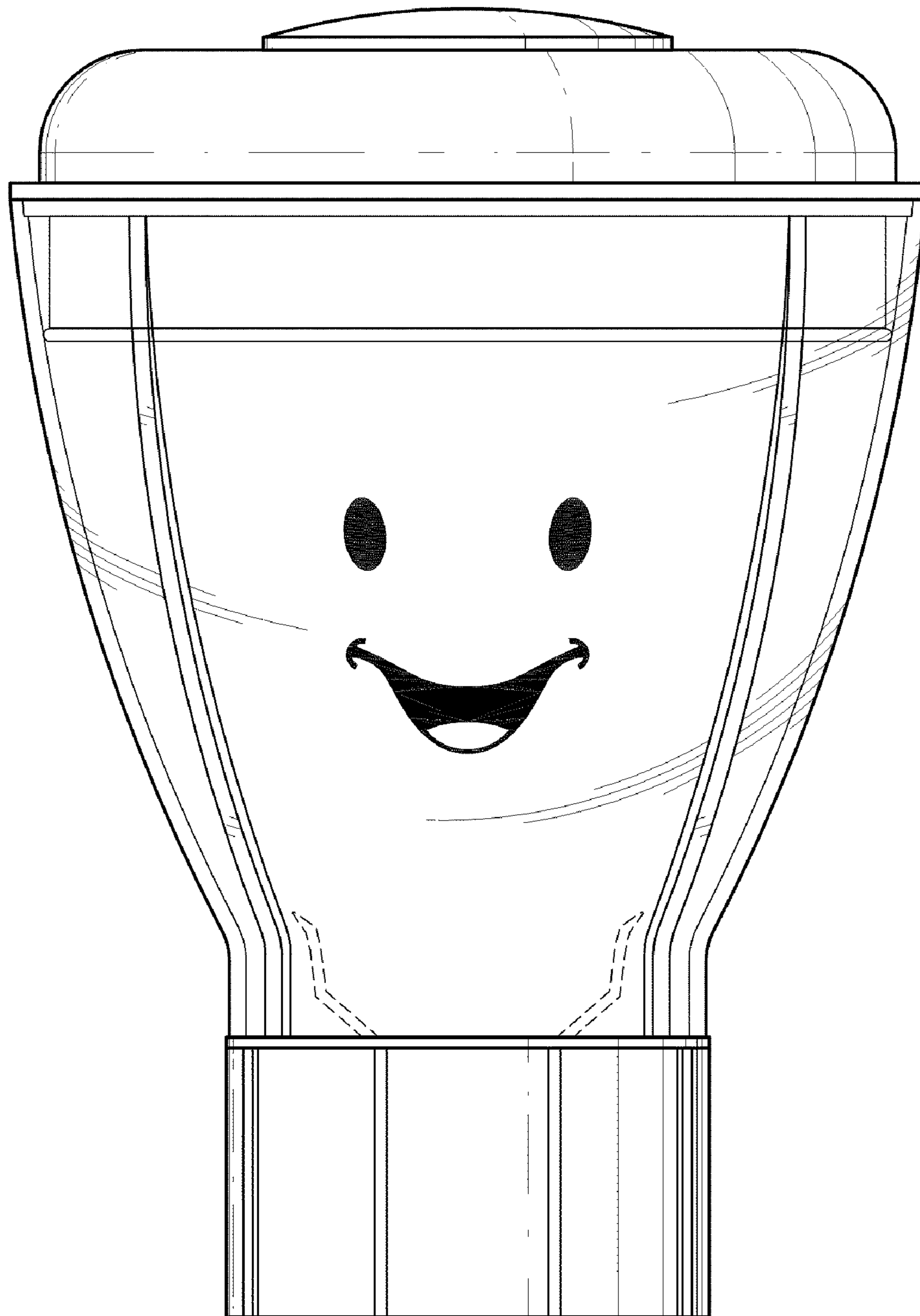


FIG. 9

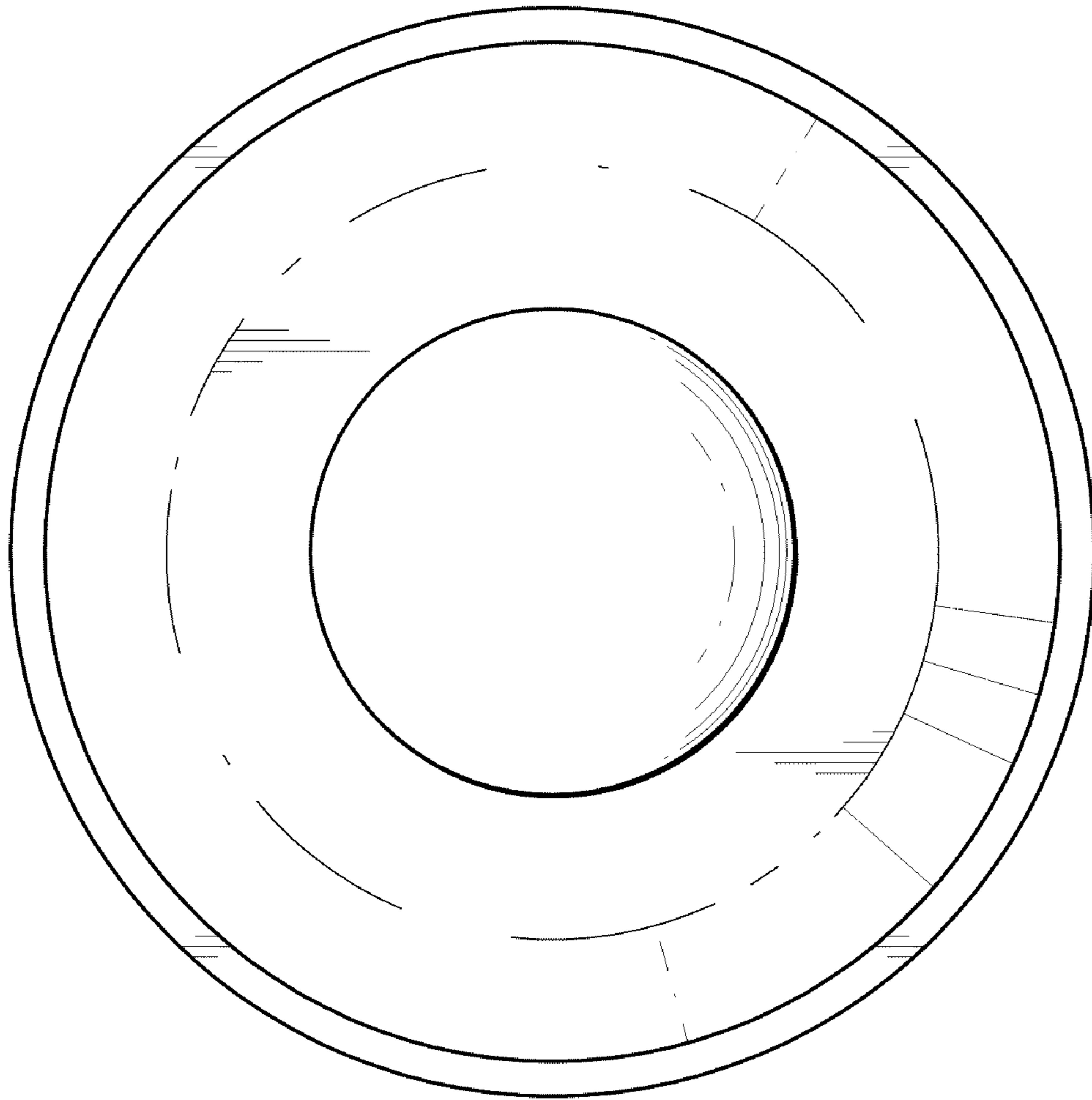


FIG. 10