



US00D649398S

(12) **United States Design Patent**
Greiner

(10) **Patent No.:** **US D649,398 S**

(45) **Date of Patent:** **** Nov. 29, 2011**

(54) **HANDLE**

(75) **Inventor:** **Lori Greiner**, Chicago, IL (US)

(73) **Assignee:** **For Your Ease Only, Inc.**, Chicago, IL (US)

(**) **Term:** **14 Years**

(21) **Appl. No.:** **29/366,748**

(22) **Filed:** **Jul. 29, 2010**

(51) **LOC (9) Cl.** **07-02**

(52) **U.S. Cl.** **D7/401.2; D7/653**

(58) **Field of Classification Search** D7/368,
D7/395, 401.2, 622, 642-646, 649-654, 660-664,
D7/669, 675-676, 683, 688, 691-692, 695-696;
D9/434, 455; D12/162; D23/386; D25/68;
16/430; 30/137, 141-143, 147-150, 298.4,
30/322-327, 329, 340, 342-344; 52/508,
52/588.1, 712; 215/390-391; 292/87; 294/57;
416/70 R

See application file for complete search history.

(56) **References Cited**

U.S. PATENT DOCUMENTS

260,157	A *	6/1882	Brower	30/298.4
784,830	A *	3/1905	Beistle	30/327
845,592	A *	2/1907	Stewart	294/57
1,106,809	A *	8/1914	Haverty et al.	30/327
1,128,190	A *	2/1915	Routery	30/327
2,682,705	A *	7/1954	Johnson	30/324
2,995,265	A *	8/1961	Soderberg	215/390
3,031,044	A *	4/1962	Stitt et al.	52/508
D217,004	S *	3/1970	Gay	D7/688
3,499,674	A *	3/1970	Burkholder et al.	292/87

3,608,263	A *	9/1971	Gartner	52/588.1
D233,118	S *	10/1974	Finn	D7/622
4,069,636	A *	1/1978	Kessler	52/712
4,095,716	A *	6/1978	Meany	215/391
D251,766	S *	5/1979	Hammerschmidt	D7/622
D270,574	S *	9/1983	Black	D25/68
D276,586	S *	12/1984	Hanna	D9/434
D276,695	S *	12/1984	Hanna	D9/434
D308,804	S *	6/1990	Hiscott et al.	D7/691
6,199,245	B1 *	3/2001	Blessing	16/430
D455,618	S *	4/2002	Richardson	D7/692
D566,825	S *	4/2008	Lucero	D23/386
D572,634	S *	7/2008	Kotschessa	D12/162
D573,852	S *	7/2008	Wills	D7/663
D592,058	S *	5/2009	Rapaport	D9/455
D595,546	S *	7/2009	LeGreve et al.	D7/691

* cited by examiner

Primary Examiner — Ricky Pham

(74) *Attorney, Agent, or Firm* — Fredrikson & Byron, P.A.

(57) **CLAIM**

I claim the ornamental design for a handle, as shown and described.

DESCRIPTION

FIG. 1 is a perspective view of my new design for a handle; FIG. 2 is a front elevation view thereof; FIG. 3 is a rear elevation view thereof; FIG. 4 is a top plan view thereof; FIG. 5 is a right side view, the left side view being a mirror image thereof; and, FIG. 6 is a bottom plan view thereof. The broken lines shown in the drawings are for illustrative purposes only and form no part of the claimed design.

1 Claim, 1 Drawing Sheet

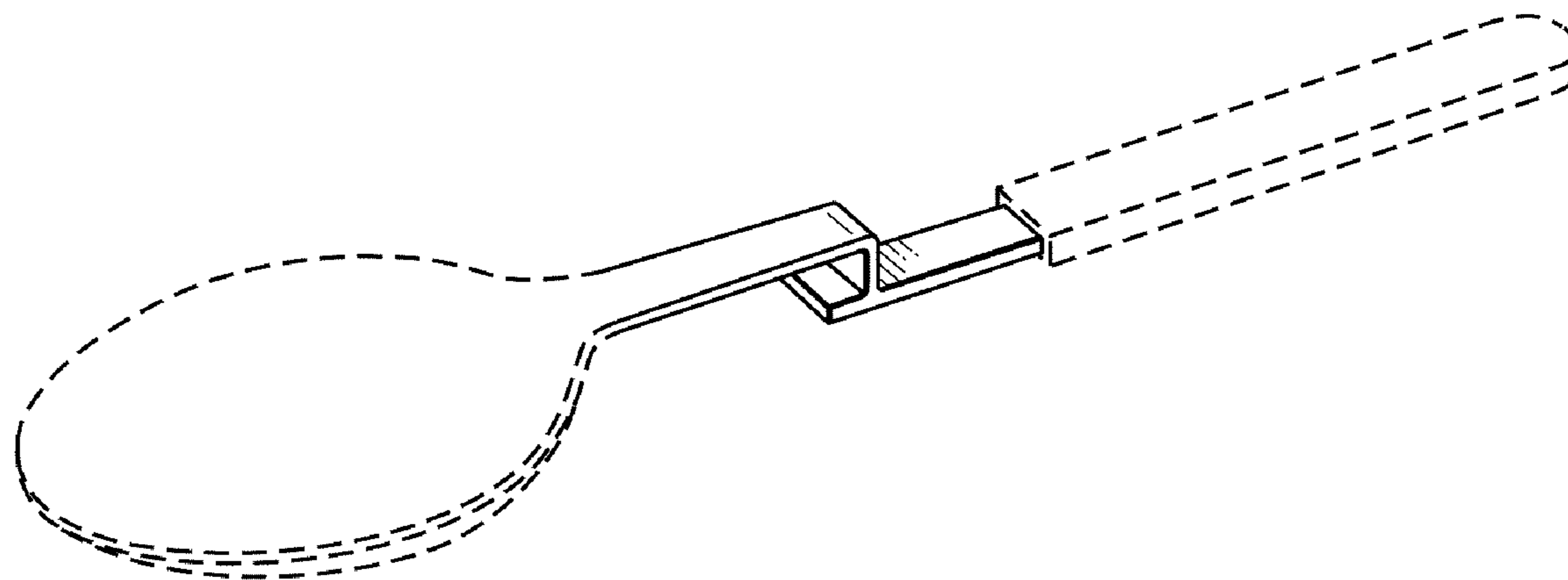


Fig. 1

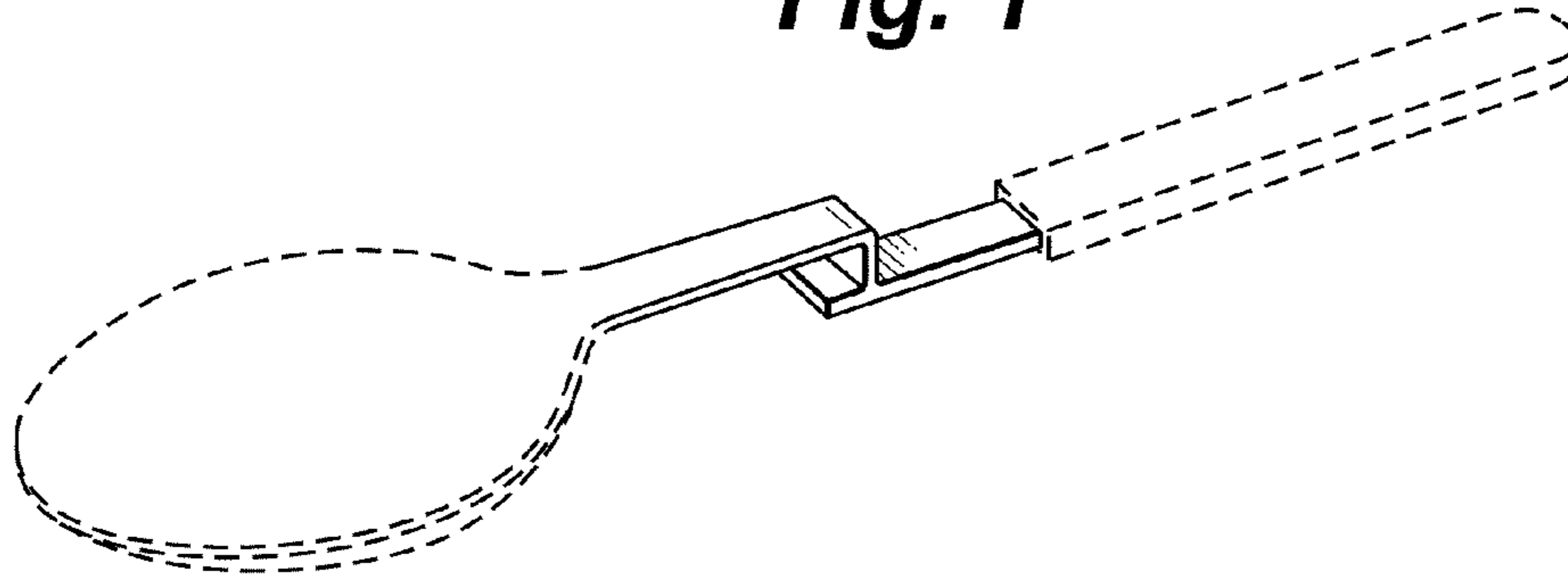


Fig. 2

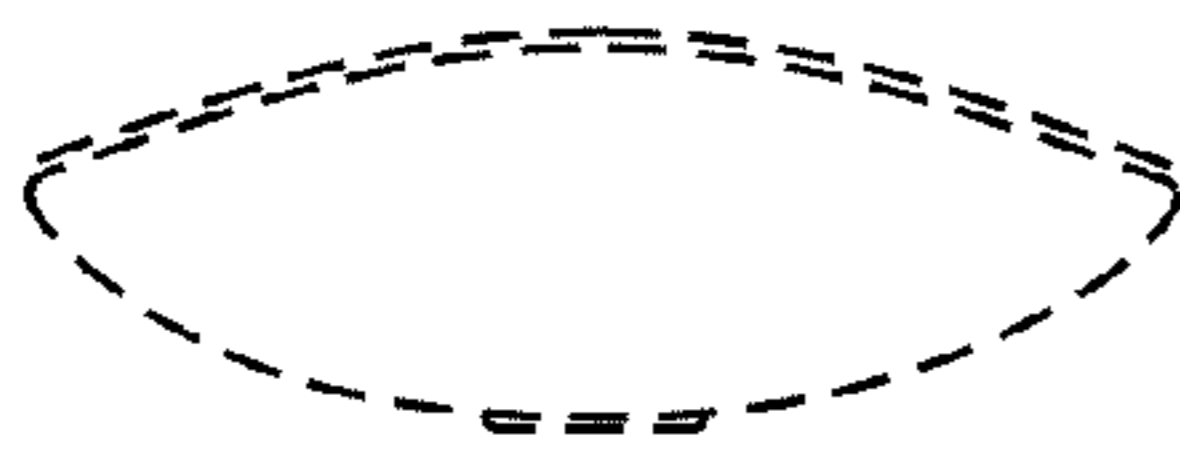


Fig. 3

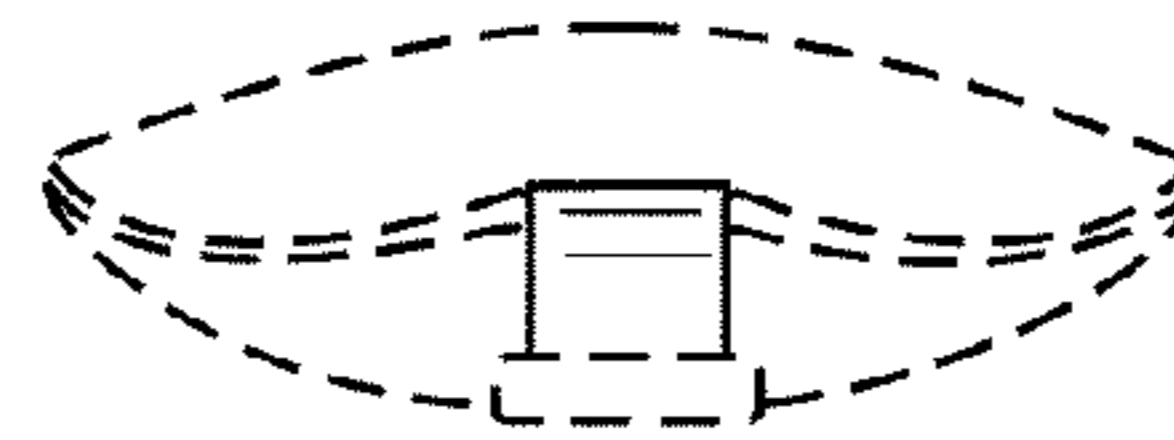


Fig. 4

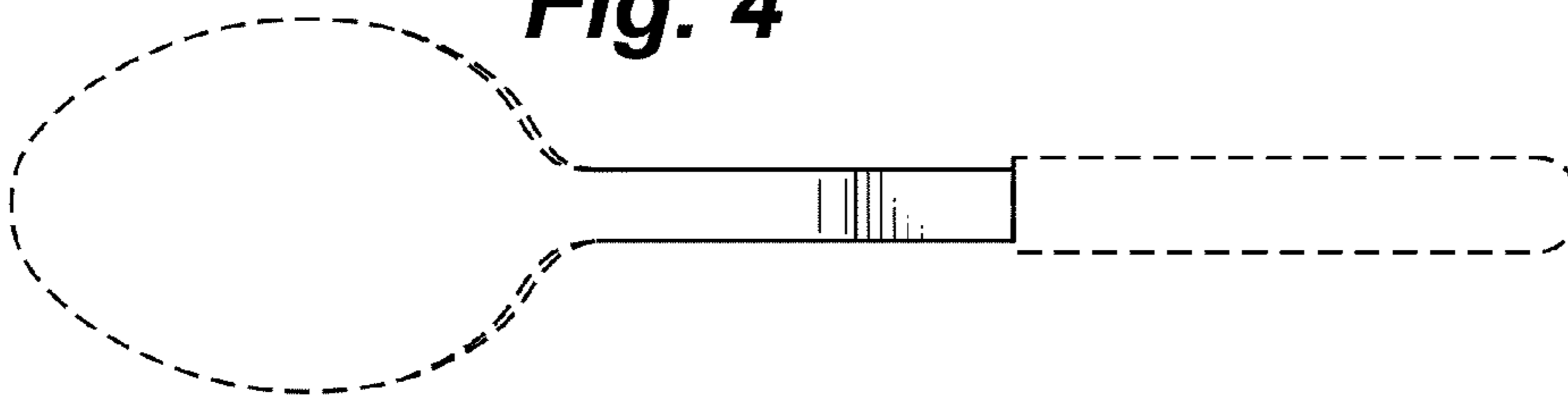


Fig. 5

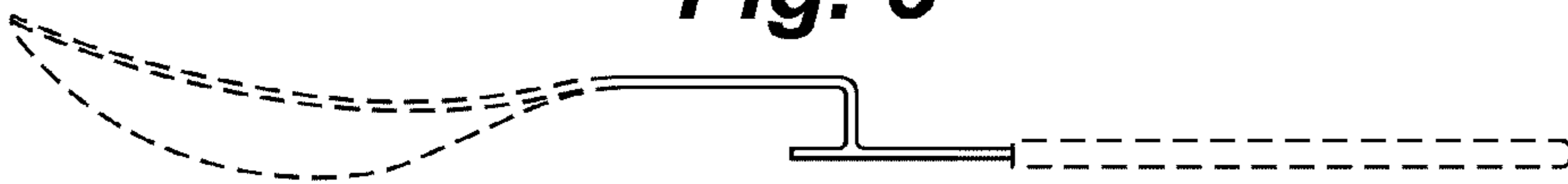


Fig. 6

