



US00D649396S

(12) **United States Design Patent**
Wilkens et al.

(10) **Patent No.:** **US D649,396 S**

(45) **Date of Patent:** **** Nov. 29, 2011**

- (54) **SIDEWALL FOR A CUP**
- (75) Inventors: **Kimberlee M. Wilkens**, Crestwood, IL (US); **Robert W. Hollis**, Homer Glen, IL (US); **Matthew W. Cowling**, Elmhurst, IL (US); **John D. O'Connor**, Griffith, IN (US); **Evan L. Ryan**, Chicago, IL (US); **Megan E. De Masi**, Chicago, IL (US)
- (73) Assignee: **Pactiv Corporation**, Lake Forest, IL (US)

- D196,271 S 9/1963 Edwards
- D197,313 S 1/1964 Wanderer
- 3,126,139 A 3/1964 Schechter
- D198,139 S 5/1964 Edwards
- 3,131,845 A 5/1964 Sherlock et al.
- 3,139,213 A 6/1964 Edwards
- D199,336 S 10/1964 Wanderer
- D199,579 S 11/1964 Davis
- D204,947 S 5/1966 Benjamin
- 3,288,340 A 11/1966 Shapiro et al.
- 3,342,370 A 9/1967 Johnson

(Continued)

(**) Term: **14 Years**

FOREIGN PATENT DOCUMENTS

DE 1175564 B 8/1964

(Continued)

(21) Appl. No.: **29/360,868**

(22) Filed: **Apr. 30, 2010**

OTHER PUBLICATIONS

(51) **LOC (9) Cl.** **07-99**

U.S. Appl. No. 29/360,869, filed Apr. 30, 2010.

(52) **U.S. Cl.** **D7/396.2; D7/529; D7/509**

(Continued)

(58) **Field of Classification Search** D7/523,
D7/510, 511, 532, 396.2, 529; 220/675,
220/703; 229/400

See application file for complete search history.

Primary Examiner — Marianne Pandozzi
(74) *Attorney, Agent, or Firm* — Baker Botts L.L.P.

(56) **References Cited**

(57) **CLAIM**

The ornamental design for a sidewall for a cup, as shown and described.

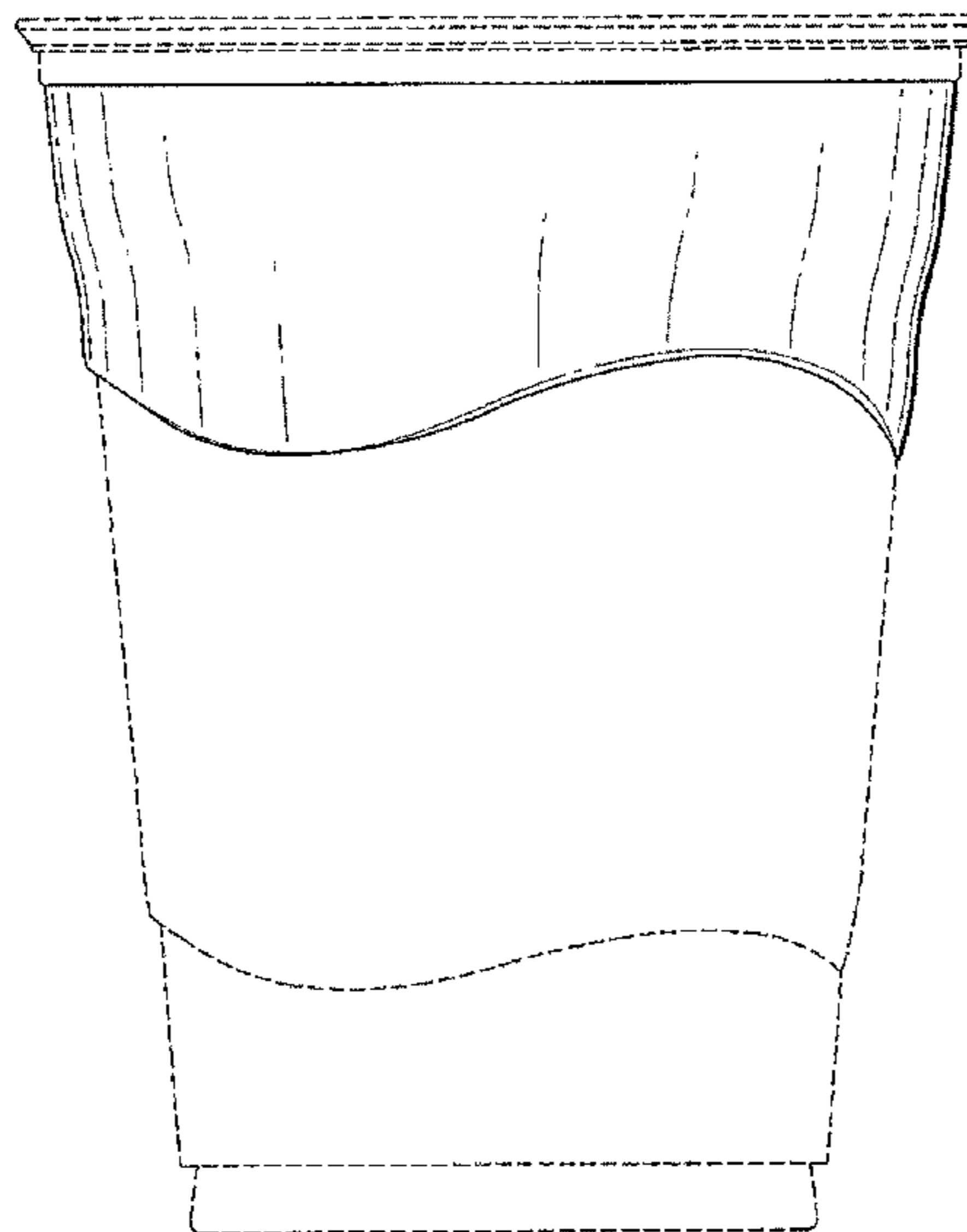
U.S. PATENT DOCUMENTS

- 168,063 A 9/1875 Taylor
- D42,683 S 7/1912 Anderson
- D68,368 S 8/1925 Bell
- 1,636,174 A 7/1927 Dolan et al.
- 2,013,243 A 9/1935 Landon
- D109,474 S 5/1938 Warner
- 2,168,186 A 8/1939 Adamson
- D163,673 S 2/1950 Bliss
- 2,629,534 A 2/1953 Reynolds
- 2,731,189 A 1/1956 Moore
- 2,745,586 A 5/1956 Thoma
- 2,905,350 A 9/1959 Edwards
- 3,009,603 A 11/1961 Stockdale
- 3,085,730 A 4/1963 Fibish
- 3,091,360 A 5/1963 Edwards

DESCRIPTION

FIG. 1 is a top perspective view of a sidewall for a cup showing our new design;
FIG. 2 is a side view of the sidewall for a cup of FIG. 1;
FIG. 3 is a top view of the sidewall for a cup of FIG. 1; and,
FIG. 4 is a bottom view of the sidewall for a cup of FIG. 1.
The broken lines shown throughout these figures depict environmental subject matter only and form no part of the claimed design.

1 Claim, 3 Drawing Sheets



US D649,396 S

U.S. PATENT DOCUMENTS							
D208,872	S	10/1967	Davis	D338,262	S	8/1993	Oliphant
D210,067	S	2/1968	Abe	D338,714	S	8/1993	Oliphant
D210,767	S	* 4/1968	Anglada	D342,419	S	12/1993	Wilson
			D7/532	5,275,277	A	1/1994	Gallegos
D210,853	S	4/1968	Anderson	D343,990	S	2/1994	Maraan, II
3,375,954	A	4/1968	Honkanen et al.	D345,895	S	4/1994	Jaworski
D211,514	S	6/1968	Amberg	D346,308	S	4/1994	Cautereels et al.
3,397,867	A	8/1968	Hoff	D347,547	S	6/1994	Heinrich
D212,352	S	* 10/1968	Davis	D350,873	S	9/1994	Duffy
			D7/530	5,346,095	A	9/1994	Deal
D213,094	S	1/1969	Davis	5,413,244	A	5/1995	Ramsey
D213,173	S	* 1/1969	Lockhart et al.	5,415,339	A	5/1995	Howard
			D7/532	5,423,160	A	6/1995	Rosén
D213,174	S	1/1969	Davis	D360,558	S	7/1995	Appleman
3,437,253	A	4/1969	Davis et al.	D362,368	S	9/1995	Willbrandt
3,519,165	A	7/1970	Hawley	D363,642	S	10/1995	Goto et al.
D220,031	S	3/1971	Donovan	D365,248	S	12/1995	Falzarano
D223,999	S	6/1972	Klose	D368,234	S	3/1996	Dickinson et al.
D228,125	S	8/1973	Weiss	D369,276	S	4/1996	Jessen
D229,008	S	11/1973	Bateman	D370,384	S	6/1996	Shamis
D239,358	S	3/1976	Kjellqvist	D371,936	S	7/1996	Goto
3,951,266	A	4/1976	Brewer	D372,168	S	7/1996	Seager
4,049,187	A	9/1977	Florian	D375,870	S	11/1996	Stonehouse
4,052,037	A	10/1977	Mair et al.	D376,070	S	12/1996	Ward, Jr.
4,061,782	A	12/1977	Baxter	D377,582	S	1/1997	Yang
4,102,454	A	7/1978	Karevaara	D379,738	S	6/1997	Liming et al.
D249,110	S	8/1978	Newmark	5,634,569	A	6/1997	DeCoster
4,131,226	A	12/1978	Breiter et al.	D381,558	S	7/1997	Schaefer et al.
4,134,492	A	1/1979	Lucas	D383,038	S	9/1997	Willbrandt
4,169,537	A	10/1979	Sabreen et al.	D383,942	S	9/1997	Rench et al.
D256,077	S	7/1980	Brockman et al.	5,678,726	A	10/1997	Porteous
D257,526	S	11/1980	Herbst et al.	D386,047	S	11/1997	Jarvis
4,245,685	A	1/1981	Nemitz et al.	D386,947	S	12/1997	Lapierre et al.
D259,757	S	7/1981	Perrin	D387,619	S	12/1997	Gross et al.
D259,846	S	7/1981	Perrin	D388,509	S	12/1997	Hsiao
D261,085	S	10/1981	Ventura	D388,660	S	1/1998	Gründl
D262,680	S	1/1982	Lack	5,712,767	A	1/1998	Koizumi
D262,765	S	1/1982	Lack	D395,503	S	6/1998	Kushnir
D265,372	S	7/1982	Groenewold et al.	5,772,111	A	6/1998	Kirsch
D267,850	S	2/1983	Groenewold et al.	5,775,577	A	7/1998	Titus
D271,650	S	* 12/1983	Groenewold et al.	D399,099	S	10/1998	Cousins
			D7/523	D400,762	S	11/1998	Mecklenburg
4,420,081	A	12/1983	Dart	5,850,935	A	12/1998	Luburic et al.
D272,213	S	1/1984	Daenen	D403,555	S	1/1999	Burns et al.
D272,794	S	2/1984	Dart	D407,270	S	3/1999	Wilson
D272,878	S	3/1984	Kanoui	D407,271	S	3/1999	Tsai
D273,651	S	5/1984	Emrick	D409,442	S	5/1999	Kilpatrick et al.
D280,078	S	8/1985	Fortuna	D410,174	S	5/1999	Sheu
4,548,348	A	10/1985	Clements	D411,712	S	6/1999	Mecklenburg
4,578,296	A	3/1986	Miyazahi et al.	D412,085	S	7/1999	Roush et al.
D283,775	S	5/1986	Campbell	D412,088	S	7/1999	Otake
D285,032	S	8/1986	Alonzo	D413,067	S	8/1999	Haley
D285,515	S	9/1986	Papciak	5,950,917	A	9/1999	Smith
D286,072	S	10/1986	Miller	D416,443	S	11/1999	Kilpatrick et al.
D288,044	S	2/1987	Unger	D416,757	S	11/1999	Ginuntoli
D289,355	S	4/1987	Paulides	D416,758	S	11/1999	Tsai
D289,483	S	4/1987	Wetter	D417,360	S	12/1999	Bickert et al.
D289,720	S	5/1987	Maher	D417,591	S	12/1999	Roehrig
D291,040	S	7/1987	Dart	D418,014	S	12/1999	Schoelkopf et al.
D293,189	S	12/1987	Sandler	D418,363	S	1/2000	Barnes et al.
D293,869	S	1/1988	Durand	D423,879	S	5/2000	Lin
D299,443	S	* 1/1989	Durand	D424,875	S	5/2000	Husted
			D11/153	D426,750	S	6/2000	Madden-Askew
D305,966	S	2/1990	DeMars	D427,489	S	7/2000	Henry
D313,921	S	1/1991	Unger	D427,852	S	7/2000	Tal et al.
D317,100	S	5/1991	Unger	D428,307	S	7/2000	Yeandel
D320,328	S	10/1991	Unger	6,109,518	A	8/2000	Mueller et al.
D320,455	S	10/1991	Malcolm	D430,777	S	9/2000	Husted
D320,859	S	10/1991	Malcolm	D432,359	S	10/2000	Madden-Askew
D320,907	S	10/1991	Unger	D433,337	S	11/2000	Cautereels
D321,813	S	11/1991	Unger	D434,272	S	11/2000	Johansen et al.
D321,814	S	11/1991	Unger	D434,273	S	11/2000	Johansen
D322,012	S	12/1991	Mercier	D436,002	S	1/2001	Shi
5,082,135	A	1/1992	DeCoster	D436,295	S	1/2001	Furman et al.
D324,468	S	3/1992	Unger	D436,499	S	1/2001	Pritchard
D324,974	S	3/1992	Unger	D437,733	S	2/2001	Kaposi
D327,393	S	6/1992	Green	D438,757	S	3/2001	Joergensen
D328,014	S	7/1992	DeCoster	D439,472	S	3/2001	Wang
D333,066	S	2/1993	Kimpson	D439,803	S	4/2001	Lin
5,185,499	A	2/1993	Yahraus				
D333,704	S	3/1993	Malcolm				
D337,481	S	7/1993	Stromberg				
D337,920	S	8/1993	Rowe				

US D649,396 S

D440,464 S	4/2001	McCluer	D501,362 S	2/2005	Gauss
D440,465 S	4/2001	LaTorre et al.	D502,052 S	2/2005	Meade
D440,466 S	4/2001	Lillelund	D502,364 S	3/2005	Chan
D440,815 S	4/2001	Freed	D502,633 S	3/2005	Liu
D440,822 S	4/2001	Lin	D502,877 S	3/2005	Stockwell et al.
D440,824 S	4/2001	Carter et al.	D504,593 S	5/2005	Smith et al.
D440,825 S	4/2001	Carter et al.	D505,592 S	5/2005	Liu
D441,252 S	5/2001	Gitschlag	D505,830 S	6/2005	Smith et al.
D443,475 S	6/2001	Miura	D506,641 S	6/2005	Liu
D444,348 S	7/2001	Ghasham	D506,642 S	6/2005	Dirstein et al.
D444,672 S	7/2001	Miura	D507,458 S	7/2005	Allen et al.
6,264,068 B1	7/2001	Ours et al.	D507,720 S	7/2005	Fabrizio
D446,684 S	8/2001	Price	D507,934 S	8/2005	Featherston et al.
D446,687 S *	8/2001	Furman et al. D7/523	D508,372 S	8/2005	Martinez-Lopez
D448,242 S	9/2001	McDonough et al.	D510,678 S	10/2005	Krasne
D448,976 S	10/2001	McDonough et al.	D510,679 S	10/2005	Smith
D449,961 S	11/2001	Miura	D510,681 S	10/2005	Liu
D450,535 S	11/2001	McDonough	D511,647 S	11/2005	Smith et al.
D452,797 S	1/2002	Palefsky et al.	D511,932 S	11/2005	Smith et al.
D453,447 S	2/2002	Bi	D512,326 S	12/2005	Stockwell et al.
D456,213 S	4/2002	Darabi	D513,687 S	1/2006	Destrooper
D457,388 S	5/2002	Milroy	D513,931 S	1/2006	Liu
D457,783 S	5/2002	Bodum	D514,380 S	2/2006	Smith et al.
D459,946 S	7/2002	Willat	D514,385 S	2/2006	Smith et al.
D459,947 S	7/2002	Cheng	D514,386 S	2/2006	Yaniv
D460,662 S	7/2002	Basden	D514,884 S	2/2006	Smith et al.
D460,696 S	7/2002	Goettner	D515,358 S *	2/2006	Orr et al. D7/523
D461,097 S	8/2002	Nemirovsky	7,004,342 B2	2/2006	Bourque et al.
D461,098 S	8/2002	Lin	D516,378 S	3/2006	Smith et al.
D461,368 S	8/2002	Durand	D518,997 S	4/2006	Salkow et al.
D461,369 S	8/2002	Sims et al.	D519,036 S	4/2006	Stockwell et al.
D462,270 S	9/2002	Renz	D519,786 S	5/2006	Betras
D463,208 S	9/2002	Copeland	D520,302 S	5/2006	Yeh
D463,216 S	9/2002	McDonough et al.	D521,318 S	5/2006	Huang
D465,384 S	11/2002	Schanzer	D521,803 S	5/2006	Bieger
D465,971 S	11/2002	Renz	D522,805 S	6/2006	Cheng
D470,362 S	2/2003	Basden	D526,841 S	8/2006	Webb
D471,064 S	3/2003	Renz	D526,847 S	8/2006	Freeman
D471,404 S	3/2003	Gady	D527,583 S	9/2006	Freeman
D471,763 S	3/2003	Hurlbut et al.	D528,365 S *	9/2006	Hsu D7/529
D472,424 S	4/2003	Shumway	D528,860 S	9/2006	McGrath
D473,423 S	4/2003	Rhoad	D528,863 S	9/2006	Hayes
6,554,154 B1	4/2003	Chauhan et al.	D529,340 S	10/2006	Laib
D474,077 S	5/2003	Hatsumoto	D529,341 S	10/2006	Hsu
D475,890 S	6/2003	Mazonkey	D529,762 S	10/2006	Schweigert et al.
D475,892 S	6/2003	Andres	D530,569 S	10/2006	Hsu
6,575,321 B2	6/2003	Bourque et al.	D531,452 S	11/2006	Toth
D476,850 S *	7/2003	Featherston et al. D7/510	D531,854 S	11/2006	Bresler
D477,750 S	7/2003	Chuang	D532,257 S	11/2006	Mansfield
D477,751 S	7/2003	Chuang	D533,747 S	12/2006	Jin
D479,950 S	9/2003	Lin	D533,748 S	12/2006	Bresler
D480,271 S	10/2003	Lin	D534,768 S	1/2007	Mansfield
D482,237 S	11/2003	Wellner	D534,770 S	1/2007	Gluck
D482,562 S	11/2003	Demers	D535,152 S	1/2007	Gluck
D482,571 S	11/2003	Leinenweber	D535,520 S	1/2007	Cundieff
D483,611 S	12/2003	Diak Ghanem	D537,677 S	3/2007	Bresler
D483,612 S	12/2003	Chuang	D538,598 S	3/2007	Haataja
D484,361 S	12/2003	Jeung	D539,091 S	3/2007	Mansfield
D484,362 S	12/2003	Harris et al.	7,185,783 B1	3/2007	Miller
D484,739 S	1/2004	Shumway	D541,107 S	4/2007	Mansfield
D485,124 S	1/2004	McMullin	D541,108 S	4/2007	Wang et al.
D486,036 S *	2/2004	Chuang D7/529	D542,332 S	5/2007	Miyahara
D486,692 S	2/2004	Chuang	7,213,719 B2	5/2007	Pedmo et al.
D486,694 S	2/2004	McMullin	D545,623 S	7/2007	Renz
D486,695 S	2/2004	Chuang	D545,625 S	7/2007	Webb
D488,348 S	4/2004	Liu	D546,126 S	7/2007	Bhavnani
D488,384 S	4/2004	Murphy	D546,626 S	7/2007	Chou
6,722,514 B2	4/2004	Renz	D547,120 S	7/2007	Brenner
D490,654 S	6/2004	Allen et al.	D547,805 S	7/2007	Killinger
D490,655 S	6/2004	Zettle et al.	D548,526 S	8/2007	Huffman et al.
6,749,075 B2	6/2004	Bourque et al.	D549,051 S	8/2007	Nordwall
D492,547 S	7/2004	Hsu	D549,523 S	8/2007	Montes
D492,883 S	7/2004	Shumway	D550,510 S	9/2007	Morton
D495,208 S	8/2004	Putnam	D551,503 S	9/2007	Bouie
D495,209 S	8/2004	Tranfaglia	D551,906 S	10/2007	Stewart-Stand
6,814,248 B2	11/2004	Beck et al.	D552,420 S	10/2007	Liu
D499,934 S *	12/2004	Smith et al. D7/396.2	D552,421 S	10/2007	Wolf
D499,935 S	12/2004	Smith et al.	D552,930 S	10/2007	Huffman et al.
6,827,228 B2	12/2004	Headen et al.	D553,441 S	10/2007	Mirpuri

US D649,396 S

D553,442 S	10/2007	Bodum		D584,568 S	1/2009	Gibbs et al.	
D554,434 S	11/2007	Morrison		D586,181 S	2/2009	Pola	
D555,979 S	11/2007	Mansfield		D587,068 S	2/2009	Rocco	
D556,511 S	12/2007	Mansfield		D587,523 S	3/2009	Moon	
D556,512 S	12/2007	Mansfield		D589,752 S	4/2009	Fetting	
D556,513 S	* 12/2007	Yelland	D7/532	D590,658 S	4/2009	Pola	
D557,074 S	12/2007	Bardolet		D591,110 S	4/2009	Koehler	
D557,562 S	12/2007	Kramer		D592,011 S	5/2009	Fujimoto et al.	
D557,564 S	12/2007	Bodum		D592,457 S	5/2009	Mansfield	
D557,985 S	12/2007	Arcangeli		D593,367 S	* 6/2009	Brooks	D7/529
D557,986 S	12/2007	Dorst		7,552,841 B2	6/2009	Hollis et al.	
D558,515 S	1/2008	Holub		D595,539 S	7/2009	Starck	
D559,039 S	1/2008	Freeman		D595,541 S	7/2009	Haas	
D559,040 S	1/2008	Freeman		D596,461 S	7/2009	Mansfield et al.	
D560,437 S	1/2008	Karam		D597,376 S	8/2009	Reay	
D560,969 S	2/2008	Mansfield		D597,788 S	8/2009	Ellis	
D560,971 S	2/2008	Sung		D598,242 S	8/2009	Kusher	
D560,972 S	2/2008	Sung		D599,620 S	9/2009	Eaton	
D561,536 S	2/2008	Virgilio		D600,072 S	9/2009	Hayes et al.	
D562,074 S	2/2008	Mansfield		D600,977 S	9/2009	Mansfield	
D562,075 S	2/2008	Mehta		D601,852 S	10/2009	Newman	
D562,633 S	2/2008	Luft		D602,742 S	10/2009	Sutandar	
D562,634 S	2/2008	Frank		D603,653 S	11/2009	Wong	
D562,635 S	2/2008	Weber		D605,895 S	12/2009	Abbott	
D562,636 S	2/2008	Weber		D607,276 S	1/2010	Ahlm et al.	
D562,638 S	2/2008	Hamberger		D607,277 S	1/2010	Ahlm et al.	
D563,171 S	3/2008	Mansfield		D607,692 S	1/2010	Skala	
D563,173 S	3/2008	Karam		D608,591 S	1/2010	Hillebrenner et al.	
D563,723 S	* 3/2008	Gluck	D7/396.2	D609,967 S	2/2010	Helfant	
D564,840 S	3/2008	Williams		D612,202 S	* 3/2010	Hillebrenner	D7/396.2
D565,902 S	4/2008	Bodum		D613,997 S	* 4/2010	Kingsley	D7/536
D566,467 S	4/2008	Starck		D617,144 S	* 6/2010	O'Connor et al.	D7/396.2
D566,469 S	4/2008	Tien		D622,105 S	* 8/2010	Koenecke et al.	D7/531
D567,026 S	4/2008	Karam		D623,476 S	* 9/2010	Carlson et al.	D7/510
D567,586 S	4/2008	Brown		D627,596 S	* 11/2010	Hillebrenner et al.	D7/396.2
D568,105 S	5/2008	Mansfield		D635,397 S	* 4/2011	Hollis et al.	D7/396.2
D568,106 S	5/2008	Karam		D637,041 S	* 5/2011	Haskell	D7/510
D569,190 S	5/2008	Karam		2003/0157224 A1	8/2003	Westerhof et al.	
D570,648 S	6/2008	Bodum		2004/0045974 A1	3/2004	Gruber et al.	
D571,609 S	* 6/2008	Bouie	D7/396.6	2005/0061821 A1	3/2005	Smith et al.	
D571,610 S	6/2008	Bodum		2005/0236468 A1	10/2005	Sadlier	
D571,612 S	6/2008	Wood		2005/0279728 A1	12/2005	Finlay et al.	
D572,083 S	7/2008	Tien		2006/0076395 A1	4/2006	Hayes et al.	
D572,533 S	7/2008	Mansfield		2006/0091102 A1	5/2006	Bourque et al.	
D572,534 S	7/2008	Karam		2006/0207962 A1	9/2006	Corey et al.	
D572,976 S	7/2008	Mansfield		2006/0243699 A1	11/2006	Smith	
D572,977 S	7/2008	Karam		2007/0084822 A1	4/2007	Bohen et al.	
D573,839 S	7/2008	Sun		2009/0139890 A1	6/2009	Hatcher	
D574,192 S	8/2008	Schösser					
D575,107 S	8/2008	Martin					
D575,110 S	8/2008	Karam					
D575,111 S	8/2008	Karam					
D575,584 S	8/2008	Martin					
D575,987 S	9/2008	Williams					
D576,839 S	9/2008	Mansfield					
D577,253 S	9/2008	Bodum					
D577,258 S	9/2008	Mansfield					
D577,547 S	9/2008	Willat et al.					
D577,959 S	* 10/2008	Sandberg	D7/523				
D578,348 S	10/2008	Liu					
D578,350 S	10/2008	Eide et al.					
D579,721 S	11/2008	Qian					
D580,228 S	11/2008	Hayden					
D580,709 S	11/2008	Williams					
D581,216 S	11/2008	Williams					
D582,723 S	* 12/2008	Renz et al.	D7/523				

FOREIGN PATENT DOCUMENTS

DE	1216139 B	5/1966
DE	4419161 A1	12/1995
DE	29802377 U1	6/1998
EP	371918 A1	6/1990
FR	2207836 A1	6/1974
GB	395996 A	7/1933
GB	1096451 A	12/1967
GB	1251595 A	10/1971
GB	1461394 A	1/1977
GB	2352612 A	2/2001

OTHER PUBLICATIONS

U.S. Appl. No. 29/360,869, Date of Office Action or Response Jul. 13, 2011.

* cited by examiner

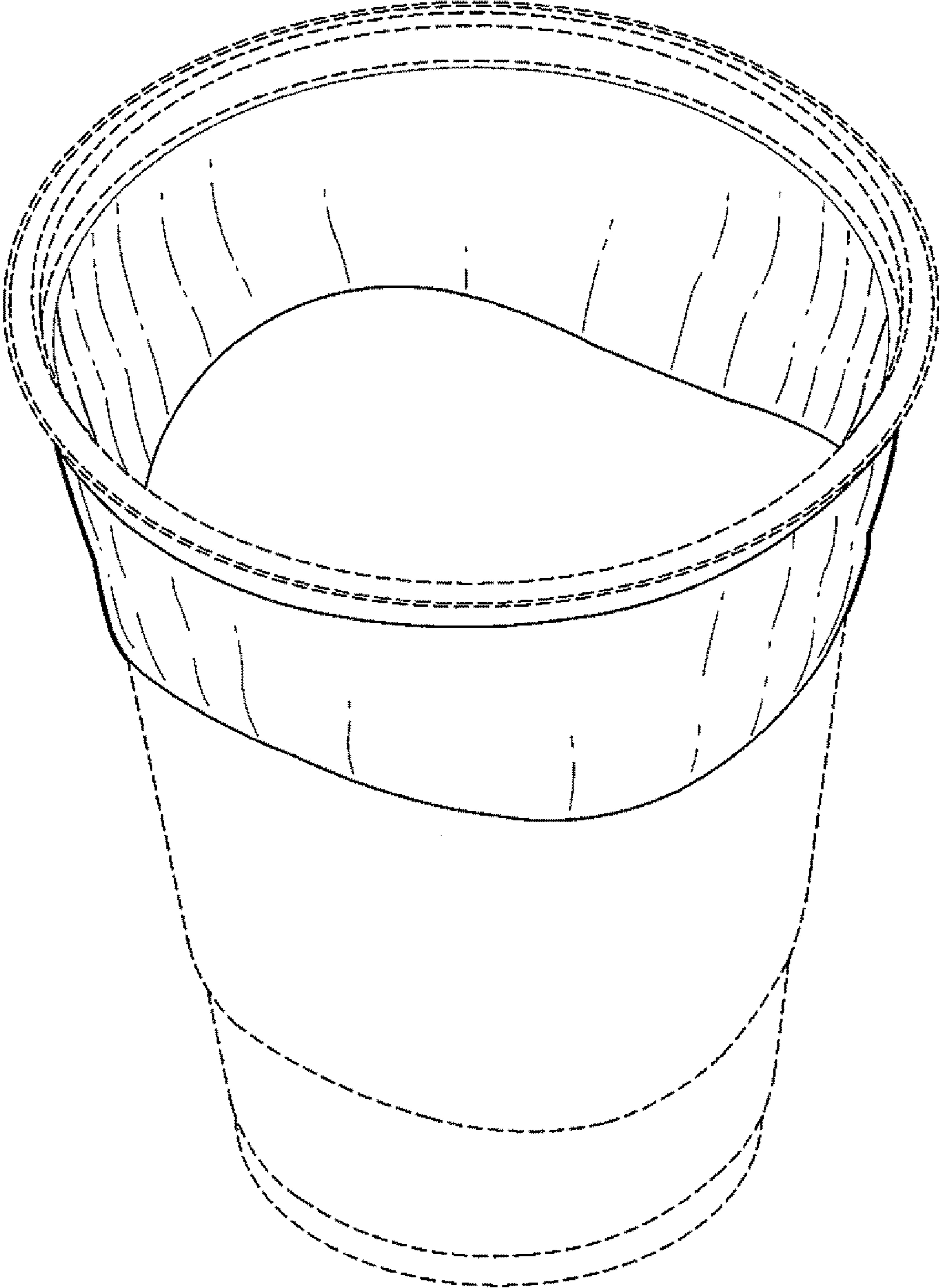


FIG. 1

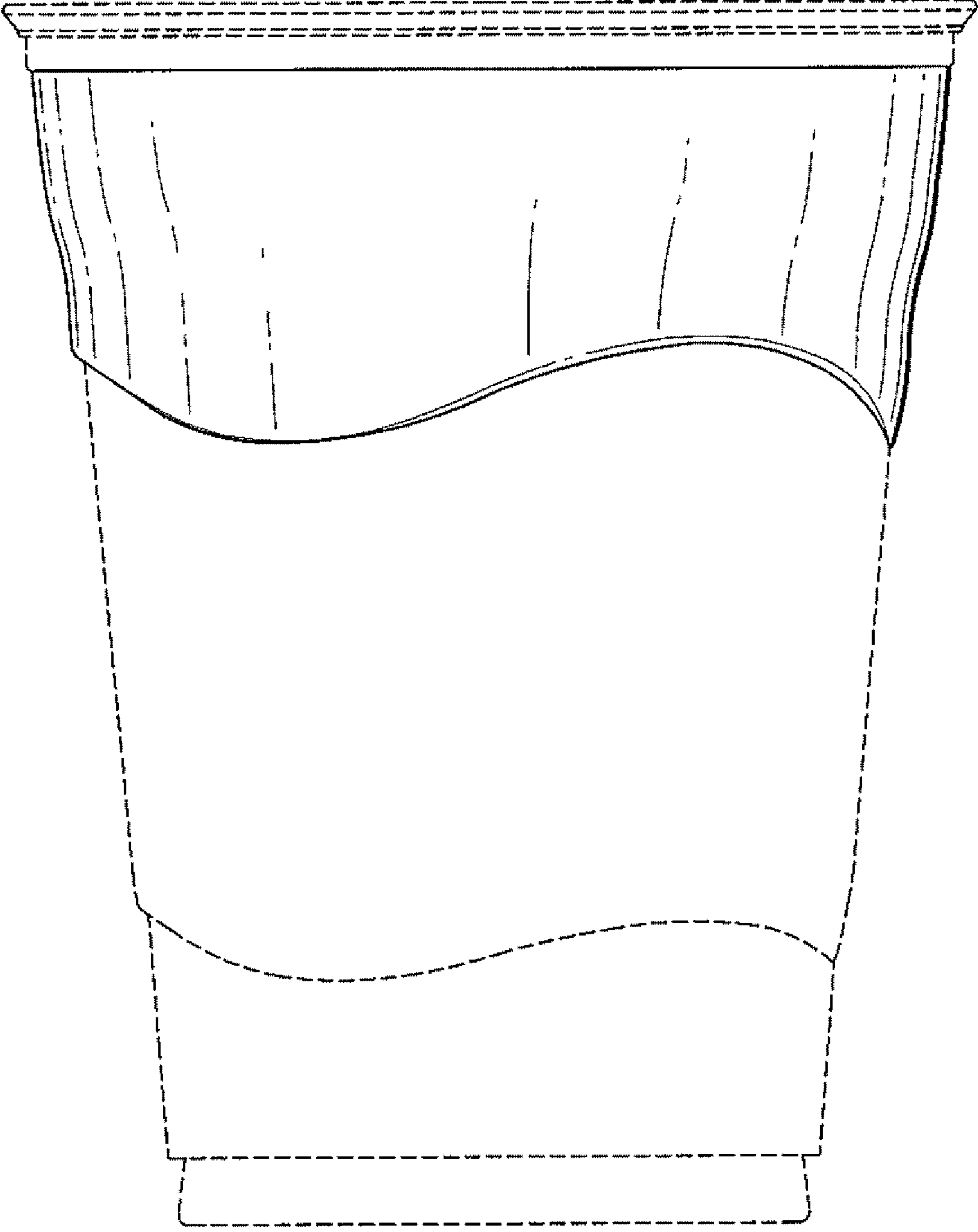


FIG. 2

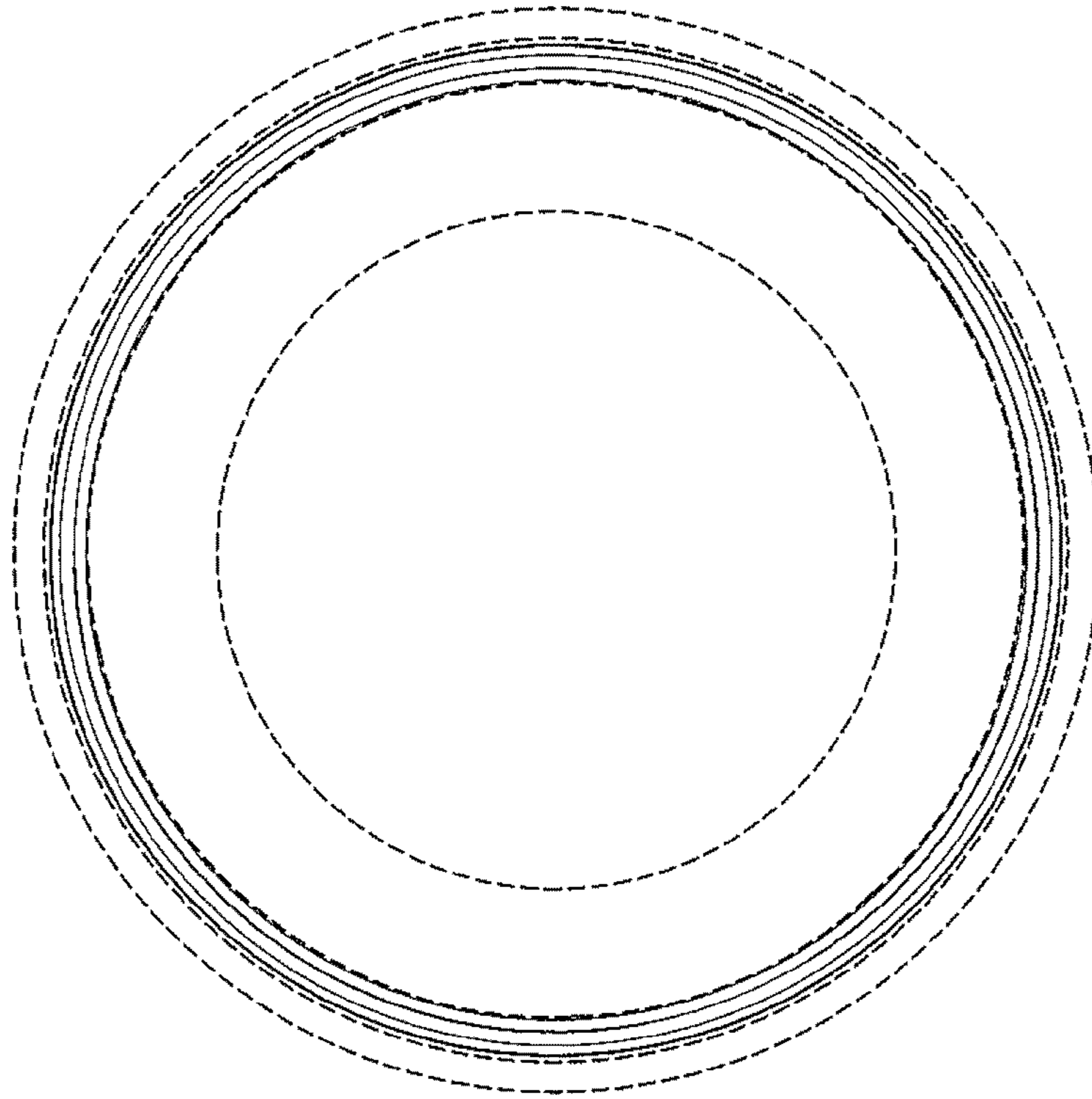


FIG. 3

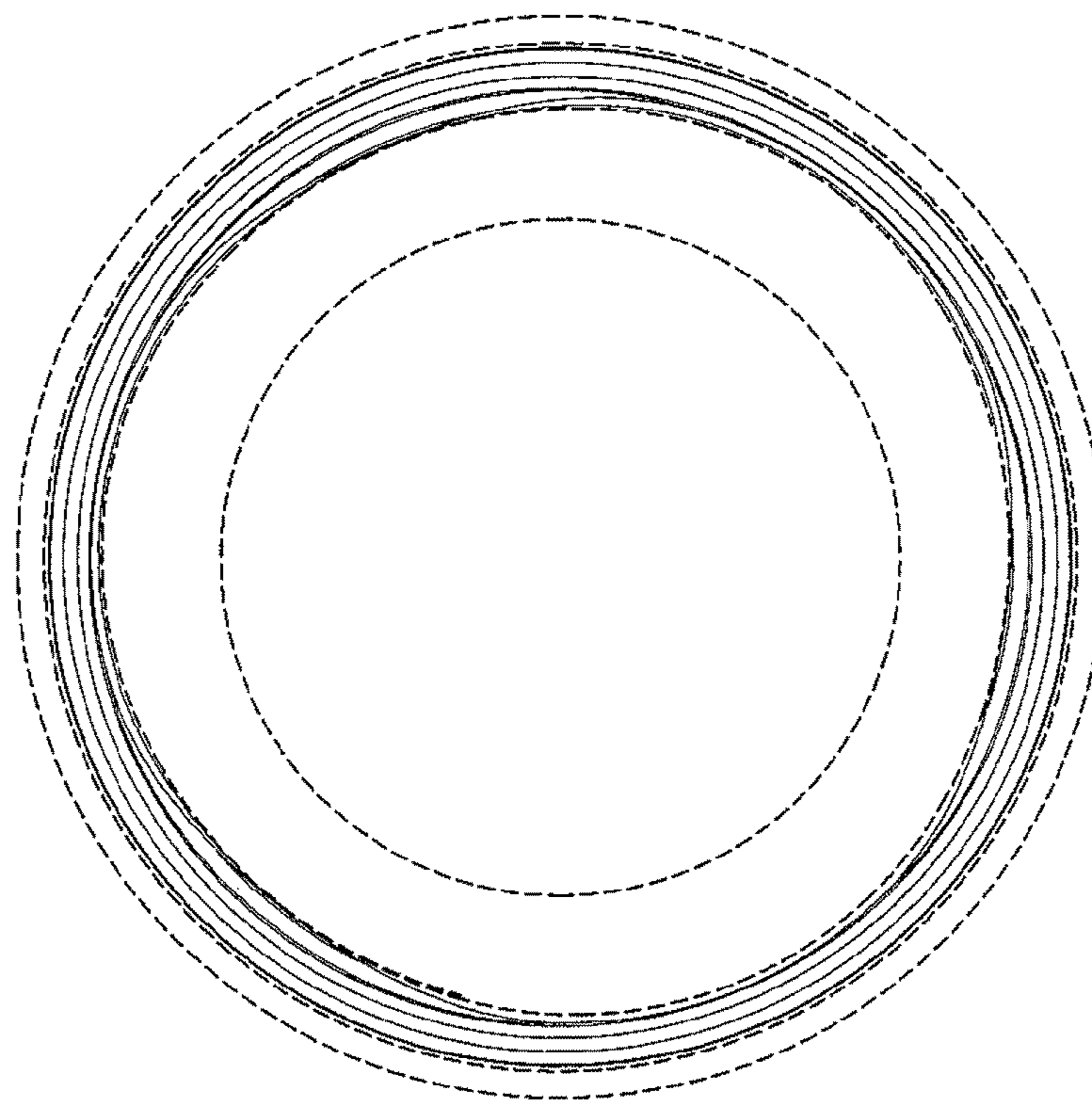


FIG. 4