



US00D649393S

(12) **United States Design Patent**
Cohlma et al.

(10) **Patent No.:** **US D649,393 S**

(45) **Date of Patent:** **** Nov. 29, 2011**

(54) **BEVERAGE DISPENSER**

(76) Inventors: **Dennis Cohlma**, Arkansas City, KS
(US); **Art McFerran**, Bantam, CT (US);
Annette Canfield, Thomaston, CT (US);
Robert Kellnhauser, Oakville, CT (US)

(**) Term: **14 Years**

(21) Appl. No.: **29/363,956**

(22) Filed: **Jun. 16, 2010**

(51) **LOC (9) Cl.** **07-01**

(52) **U.S. Cl.** **D7/308; D7/307**

(58) **Field of Classification Search** D7/309–311,
D7/306–308; 49/70; 222/129.1, 146.6
See application file for complete search history.

(56) **References Cited**

U.S. PATENT DOCUMENTS

D206,519 S *	12/1966	Wolfe	D7/308
D215,045 S *	8/1969	Benjamin	D7/311
D233,271 S *	10/1974	Holcomb	D7/308
D246,310 S *	11/1977	Syverson et al.	D7/309
D250,536 S *	12/1978	Bourke	D7/308
D272,975 S *	3/1984	Miller	D7/309
D273,654 S	5/1984	Sedam		
D284,159 S	6/1986	Crosby		
D284,926 S	8/1986	Sedam		
D297,697 S *	9/1988	Fossella	D7/311
D304,407 S	11/1989	Fossella		
D312,021 S	11/1990	Mohat		
D320,524 S	10/1991	Schechter		
5,114,047 A *	5/1992	Baron et al.	222/129.1
D359,874 S	7/1995	Smith		
D365,962 S *	1/1996	Amundsen et al.	D7/311
D368,201 S	3/1996	Kahler		
5,564,601 A *	10/1996	Cleland et al.	222/129.1
D382,761 S	8/1997	Ford		
D404,242 S	1/1999	Schroeder		
D453,088 S *	1/2002	Bell et al.	D7/307

D510,675 S *	10/2005	Ball	D7/306
D529,750 S	10/2006	Baron		
D553,416 S *	10/2007	Lin	D7/309
D555,968 S *	11/2007	Pfeifer et al.	D7/306
D581,716 S *	12/2008	Harris, III	D7/307
D587,058 S	2/2009	Terada		
D587,956 S	3/2009	Adachi		
D592,441 S	5/2009	Terada		
D597,367 S	8/2009	Adachi		
D598,232 S	8/2009	Adachi		

* cited by examiner

Primary Examiner — Marianne Pandozzi

(74) *Attorney, Agent, or Firm* — QuickPatents, Inc.; Kevin Prince

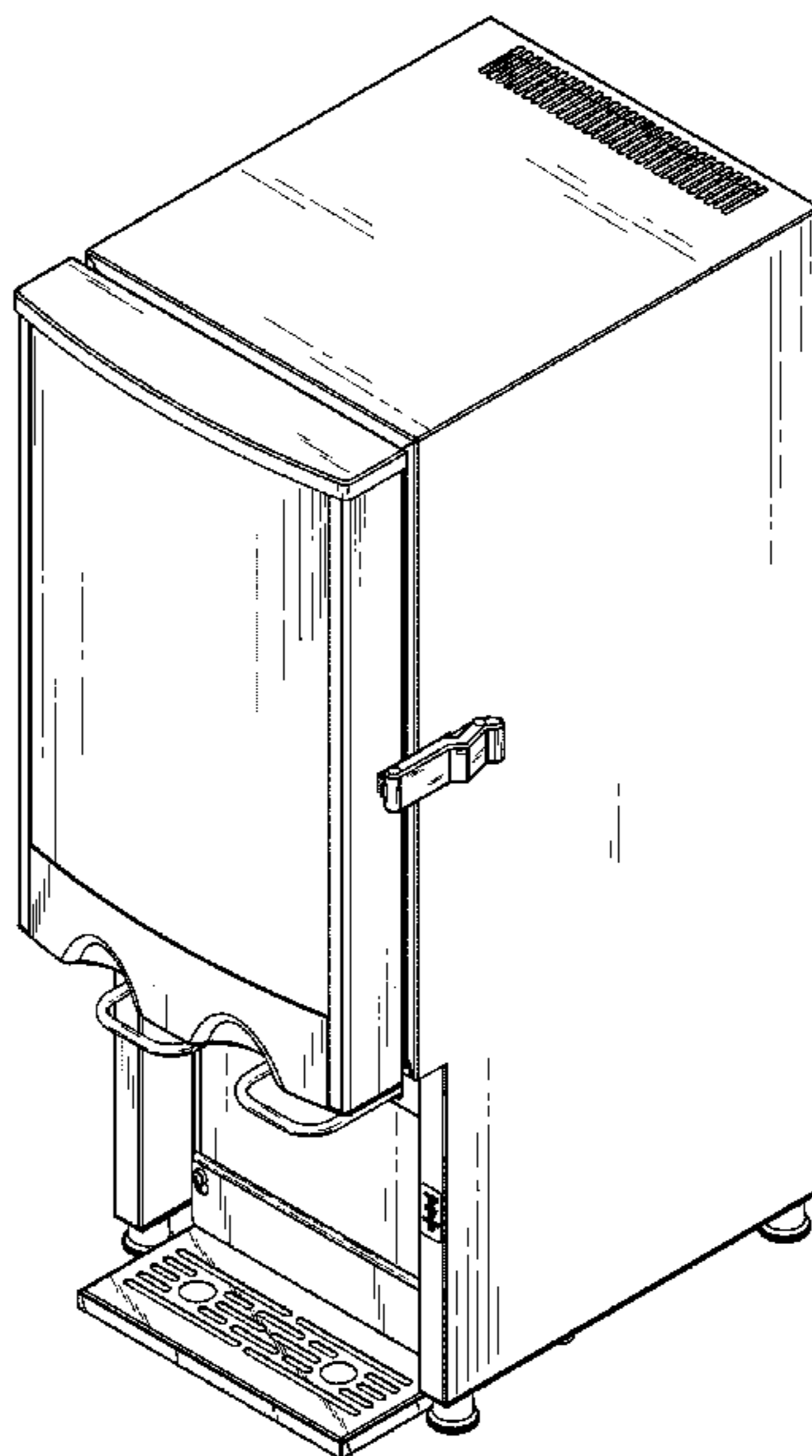
(57) **CLAIM**

We claim the ornamental design for a beverage dispenser, as shown and described.

DESCRIPTION

FIG. 1 is a perspective view of a beverage dispenser showing our new design;
FIG. 2 is a front elevational view thereof;
FIG. 3 is a rear elevational view thereof;
FIG. 4 is a left-side elevational view thereof;
FIG. 5 is a right-side elevational view thereof;
FIG. 6 is a top plan view thereof;
FIG. 7 is a bottom plan view thereof;
FIG. 8 is a perspective view of a second embodiment of a beverage dispenser showing our new design;
FIG. 9 is a front elevational view thereof;
FIG. 10 is a rear elevational view thereof;
FIG. 11 is a left-side elevational view thereof;
FIG. 12 is a right-side elevational view thereof;
FIG. 13 is a top plan view thereof; and,
FIG. 14 is a bottom plan view thereof.

1 Claim, 8 Drawing Sheets



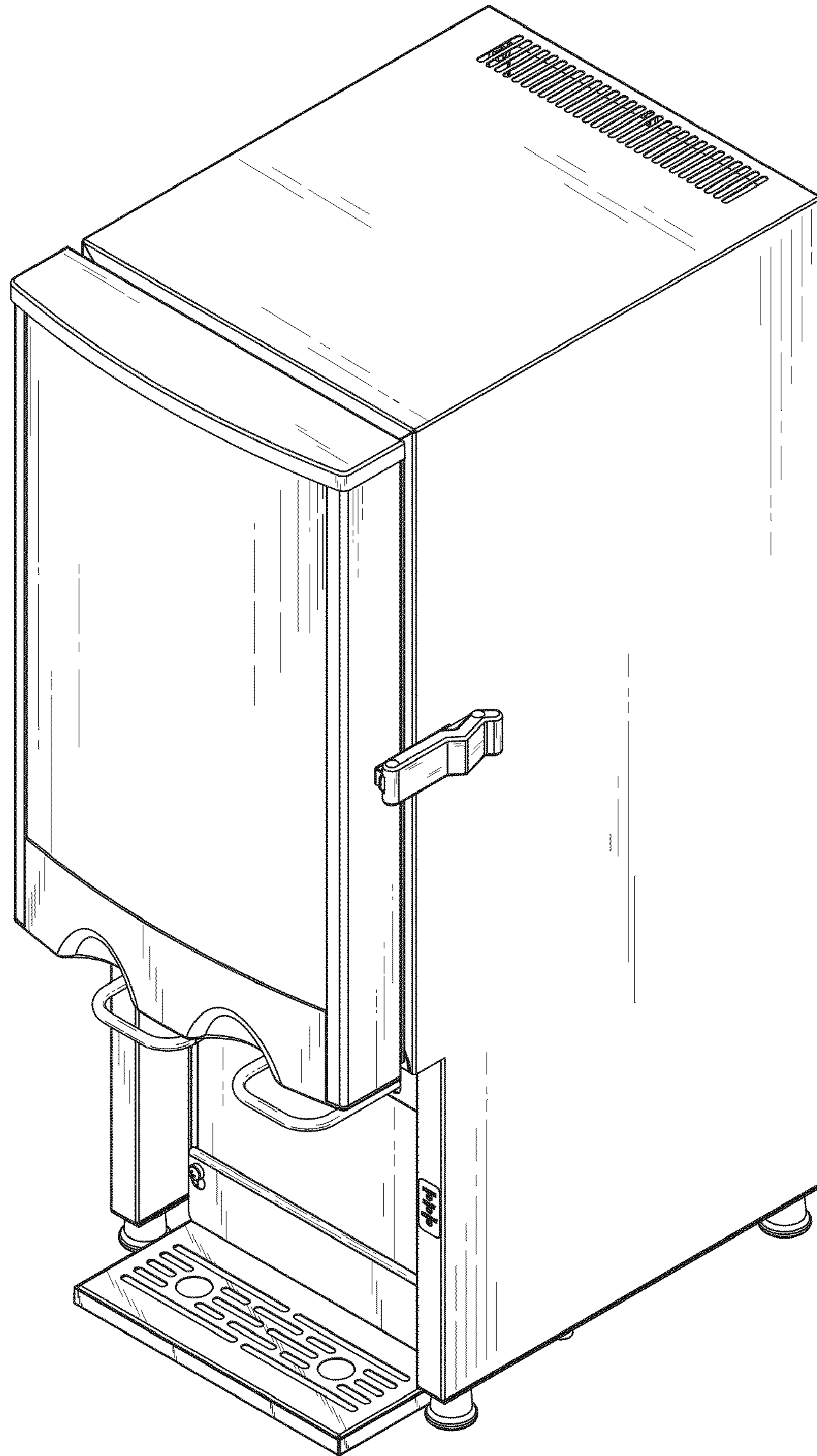


FIG. 1

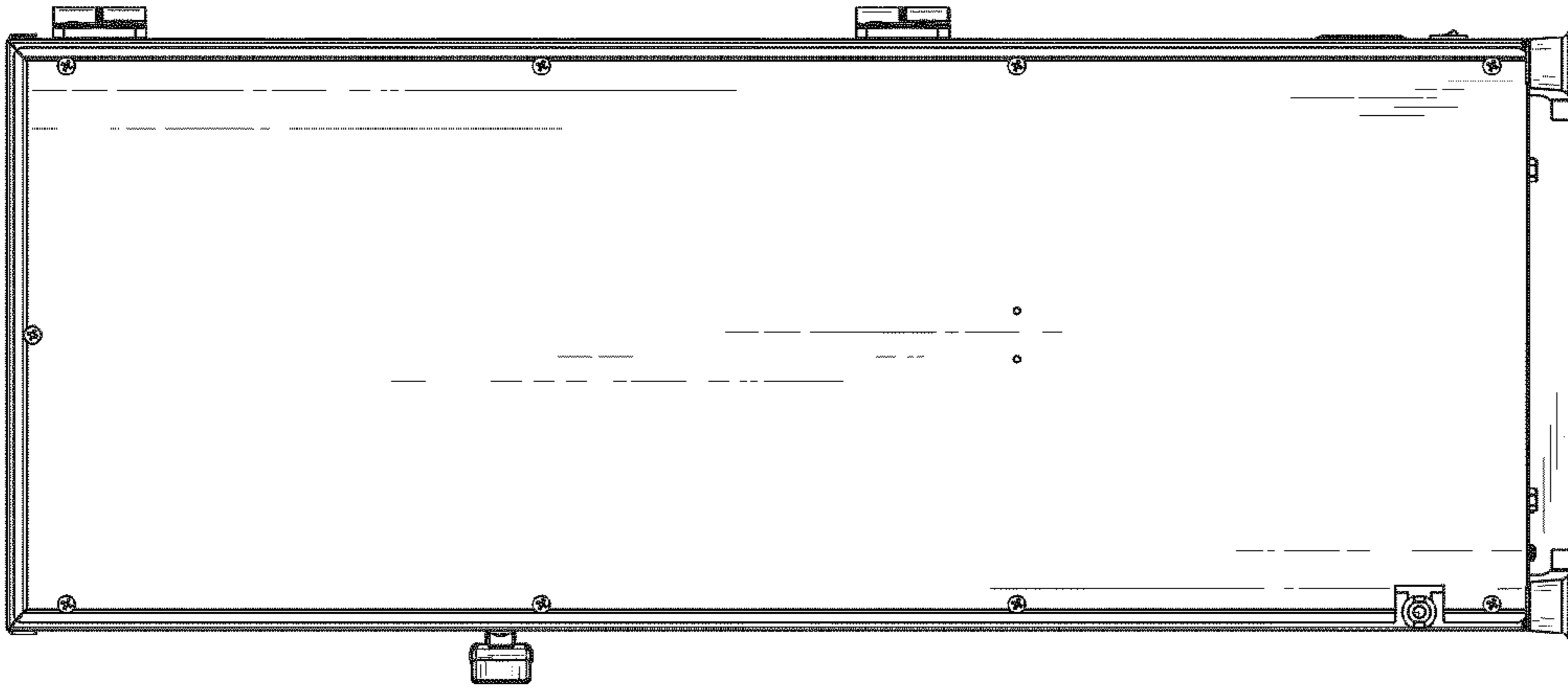


FIG. 3

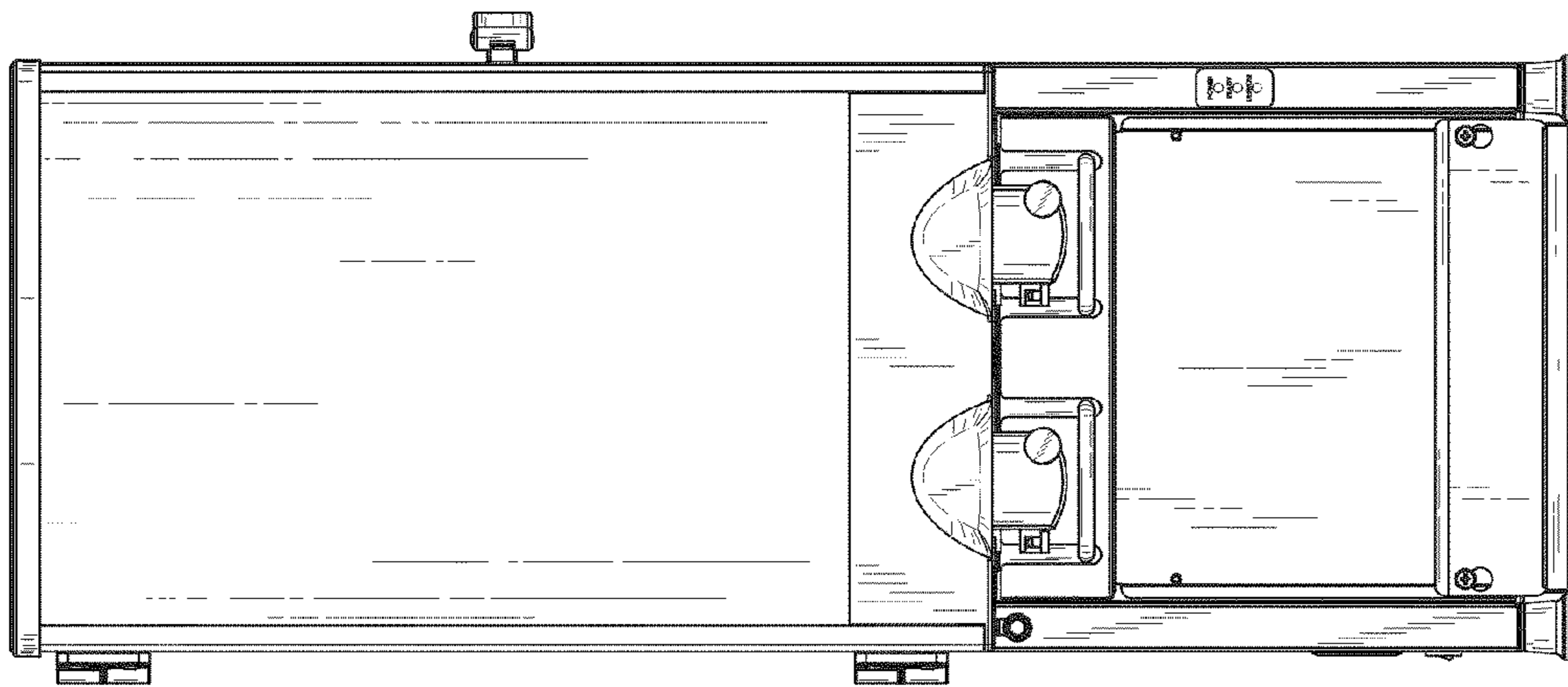


FIG. 2

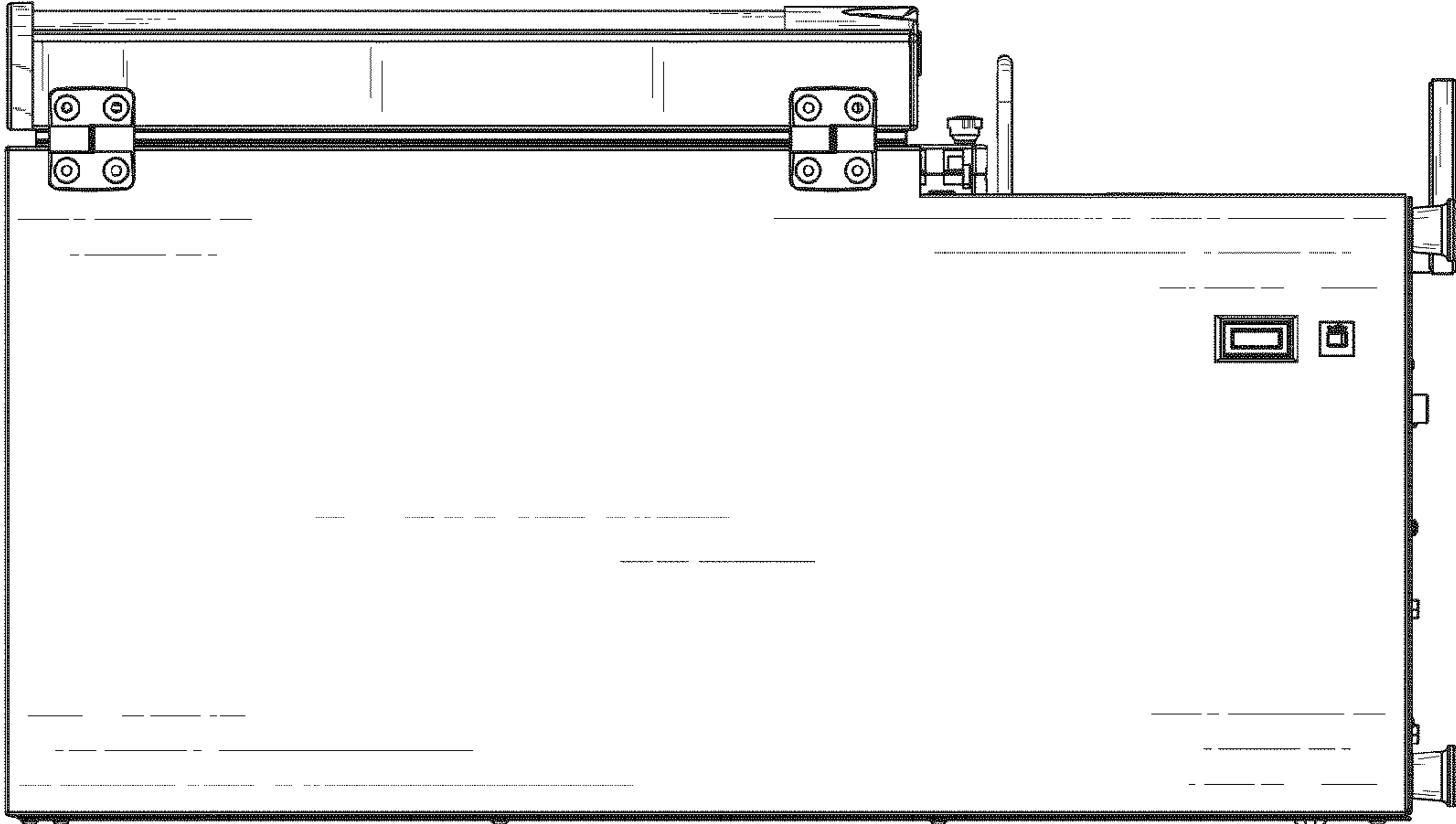


FIG. 5

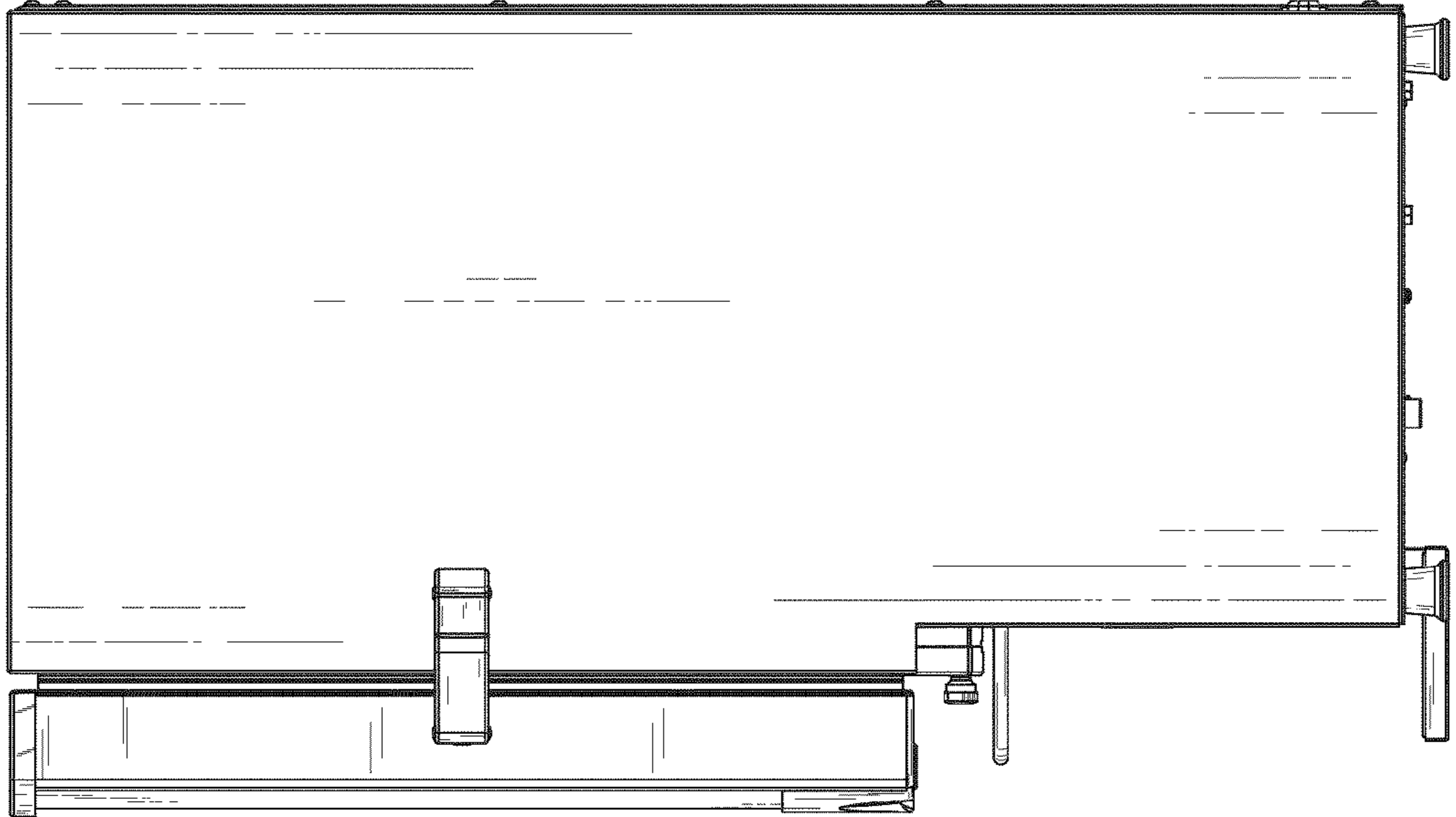


FIG. 4

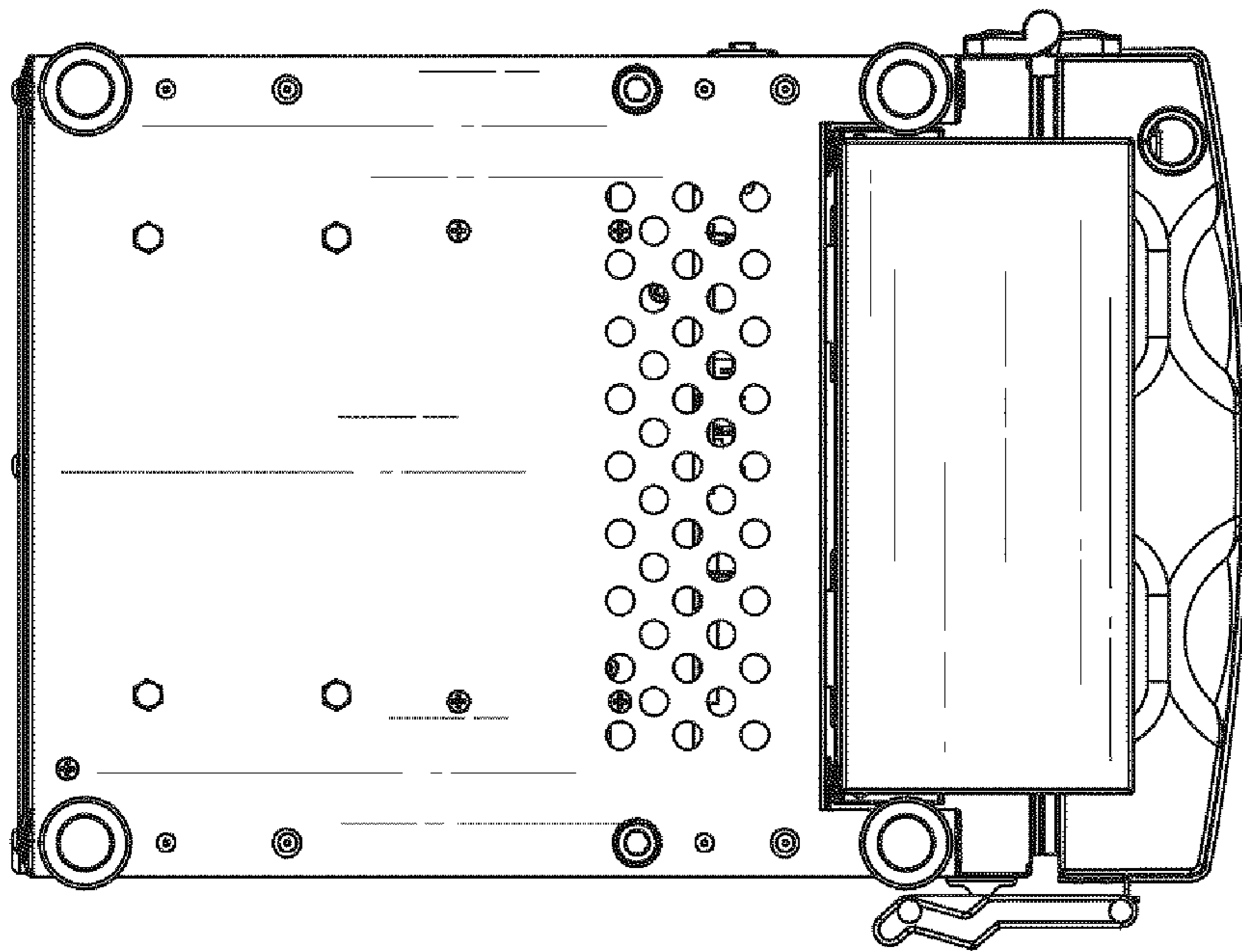


FIG. 7

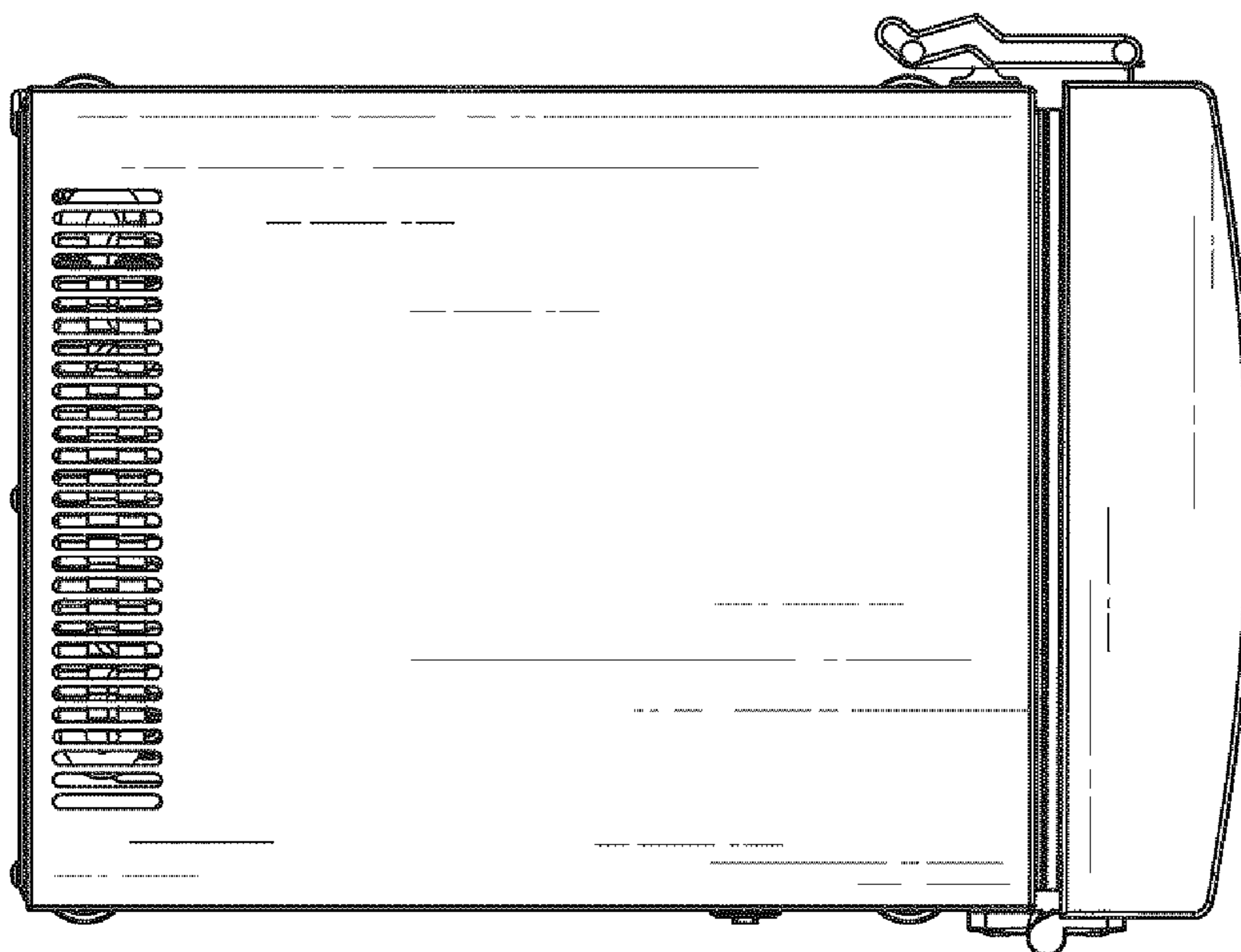


FIG. 6

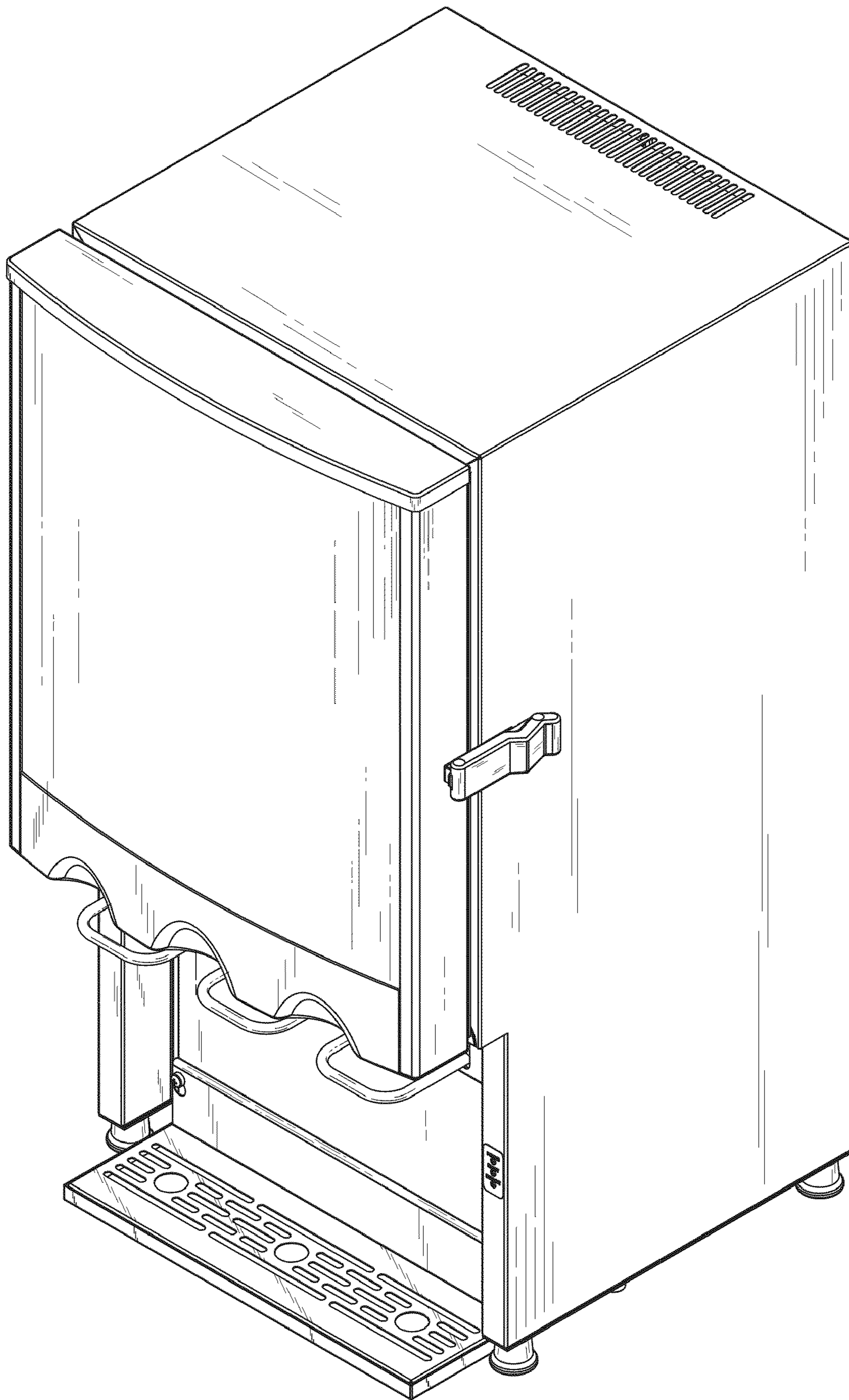


FIG. 8

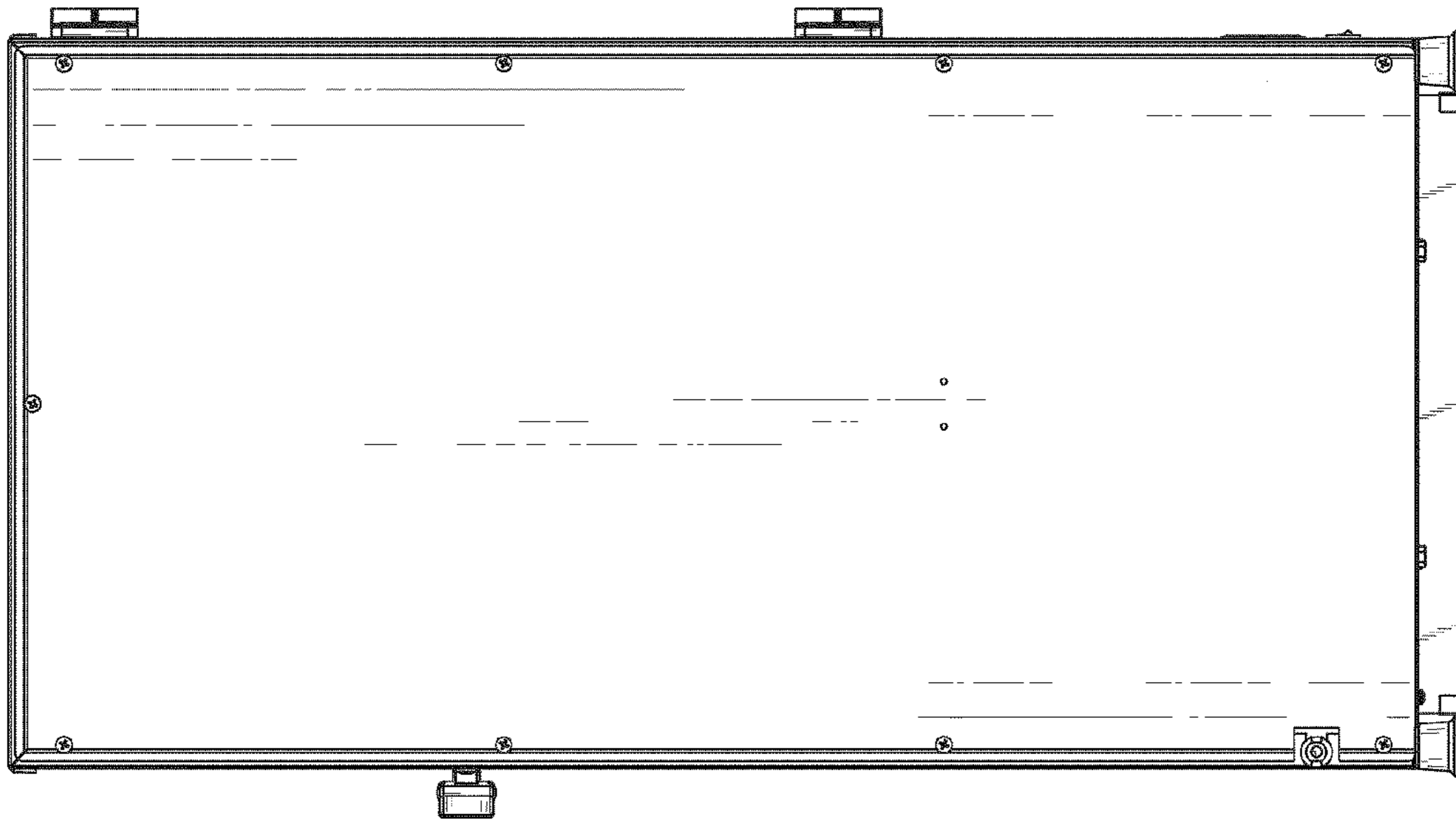


FIG. 10

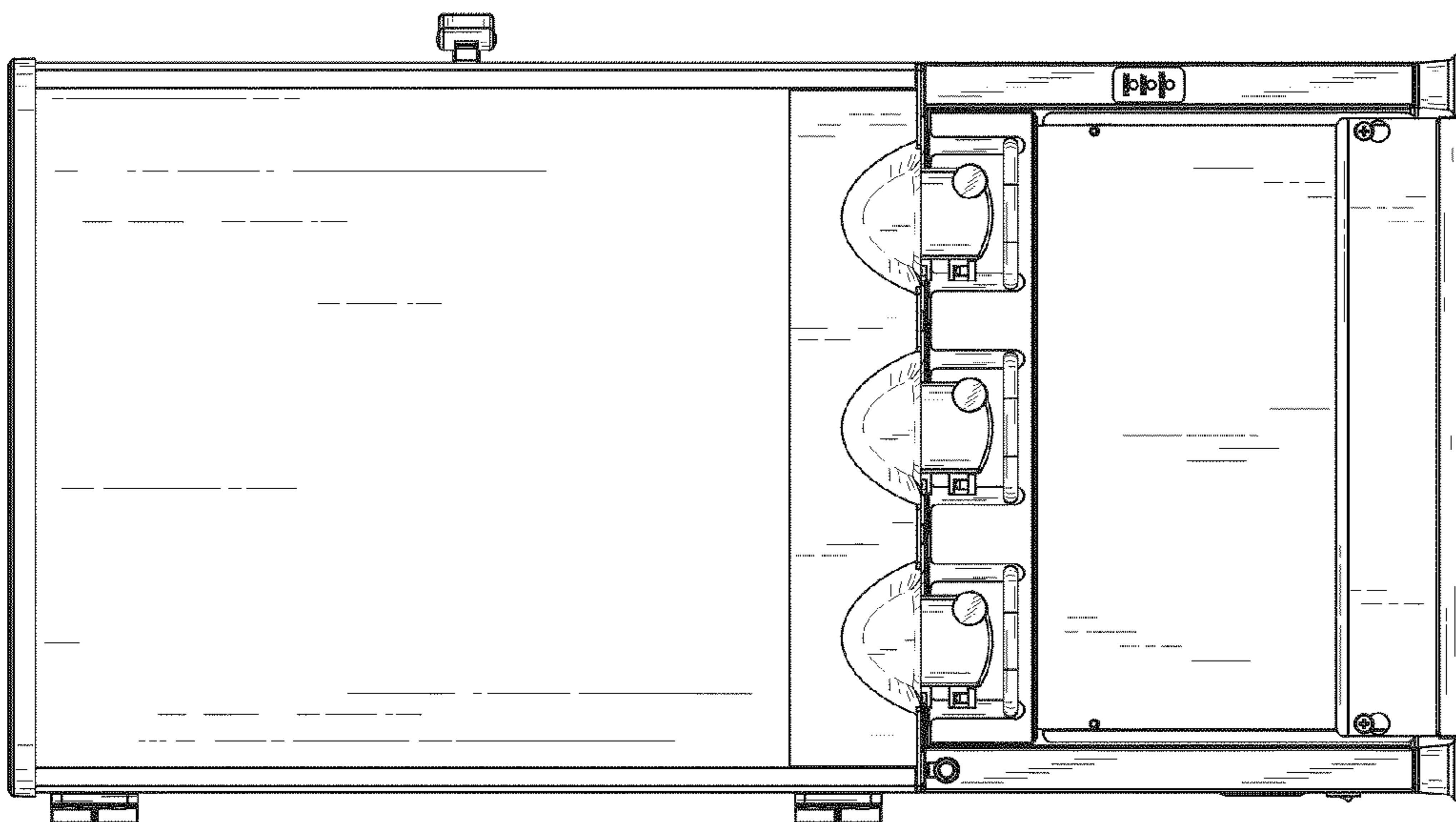


FIG. 9

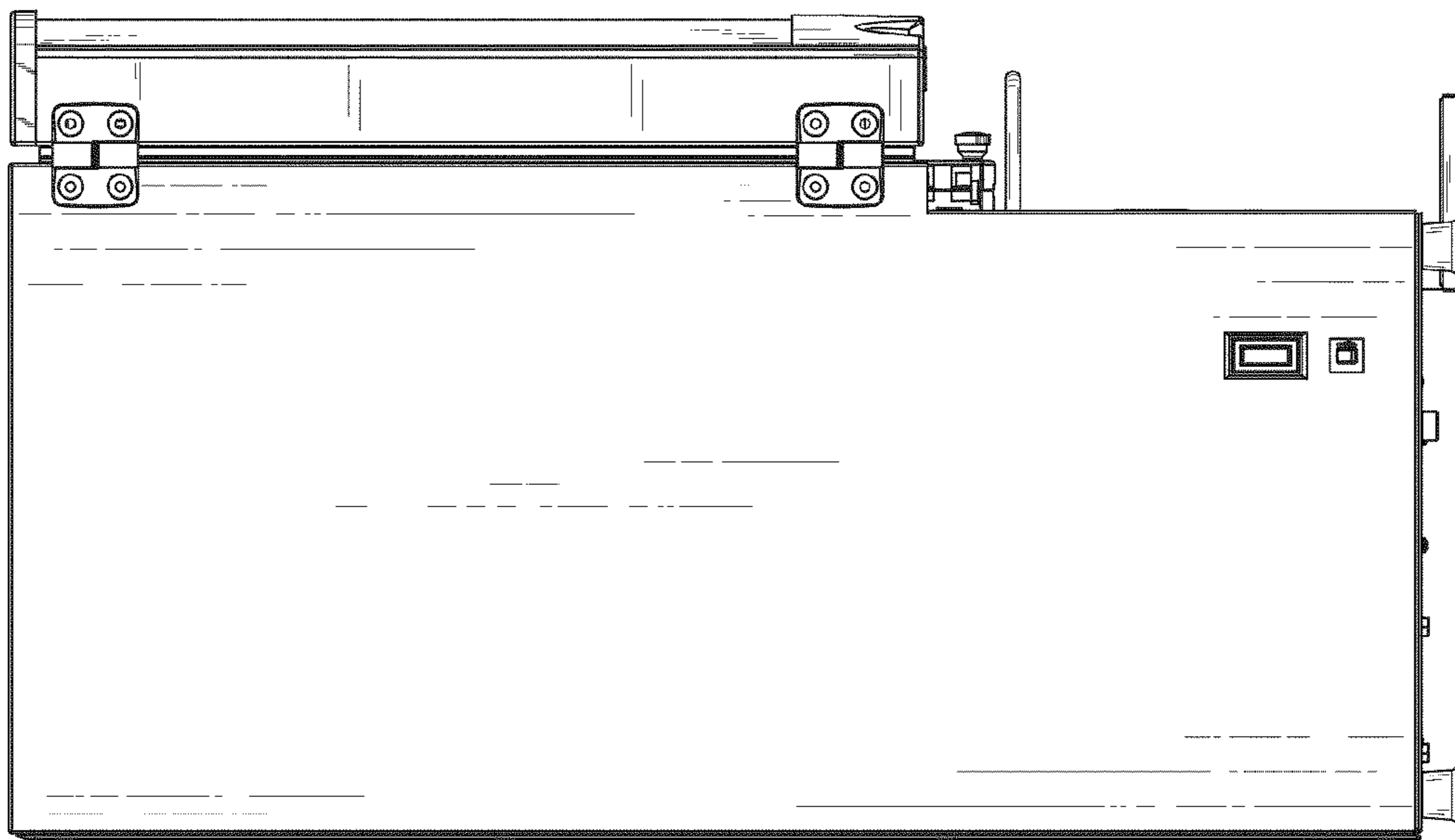


FIG. 12

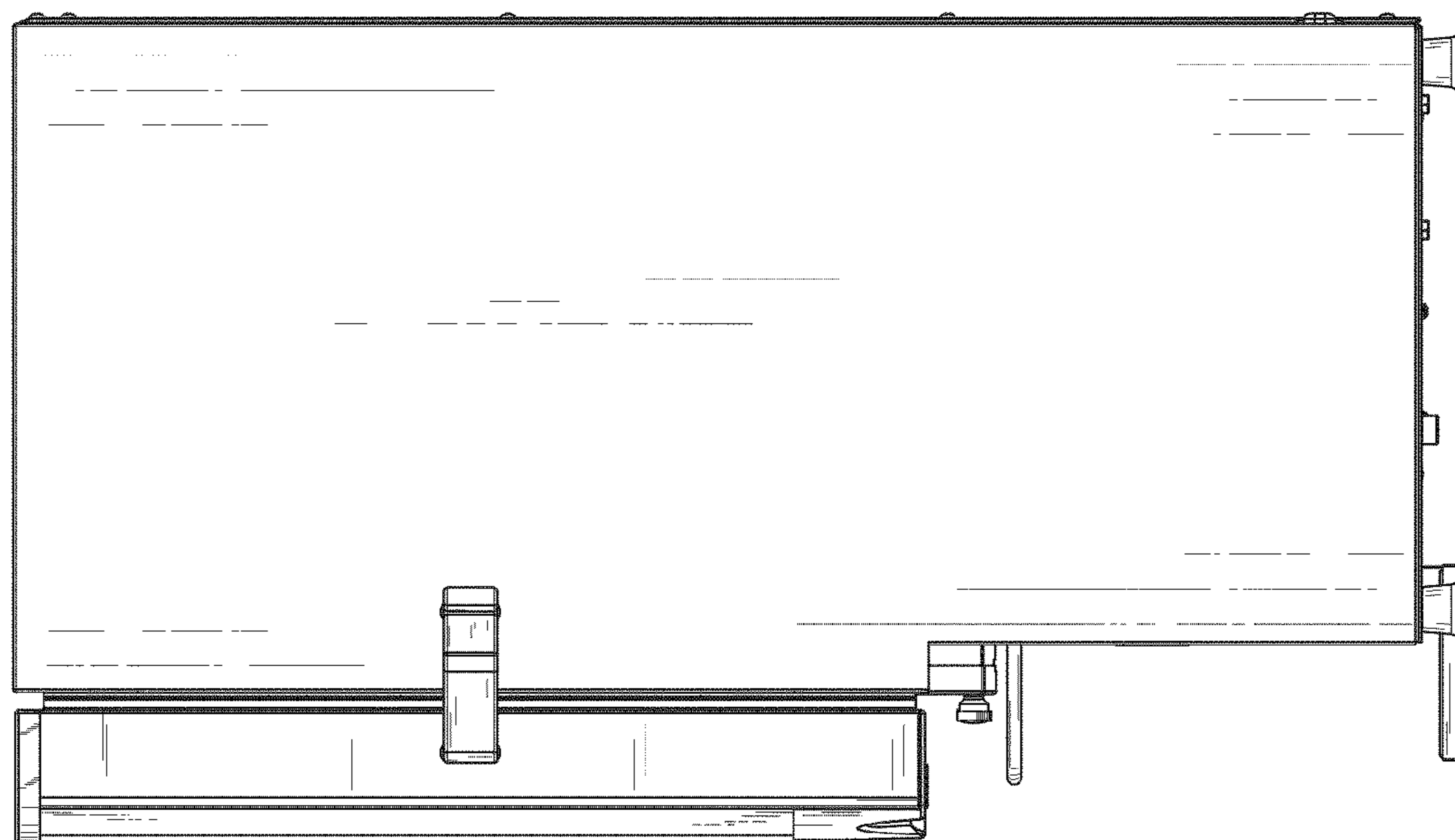


FIG. 11

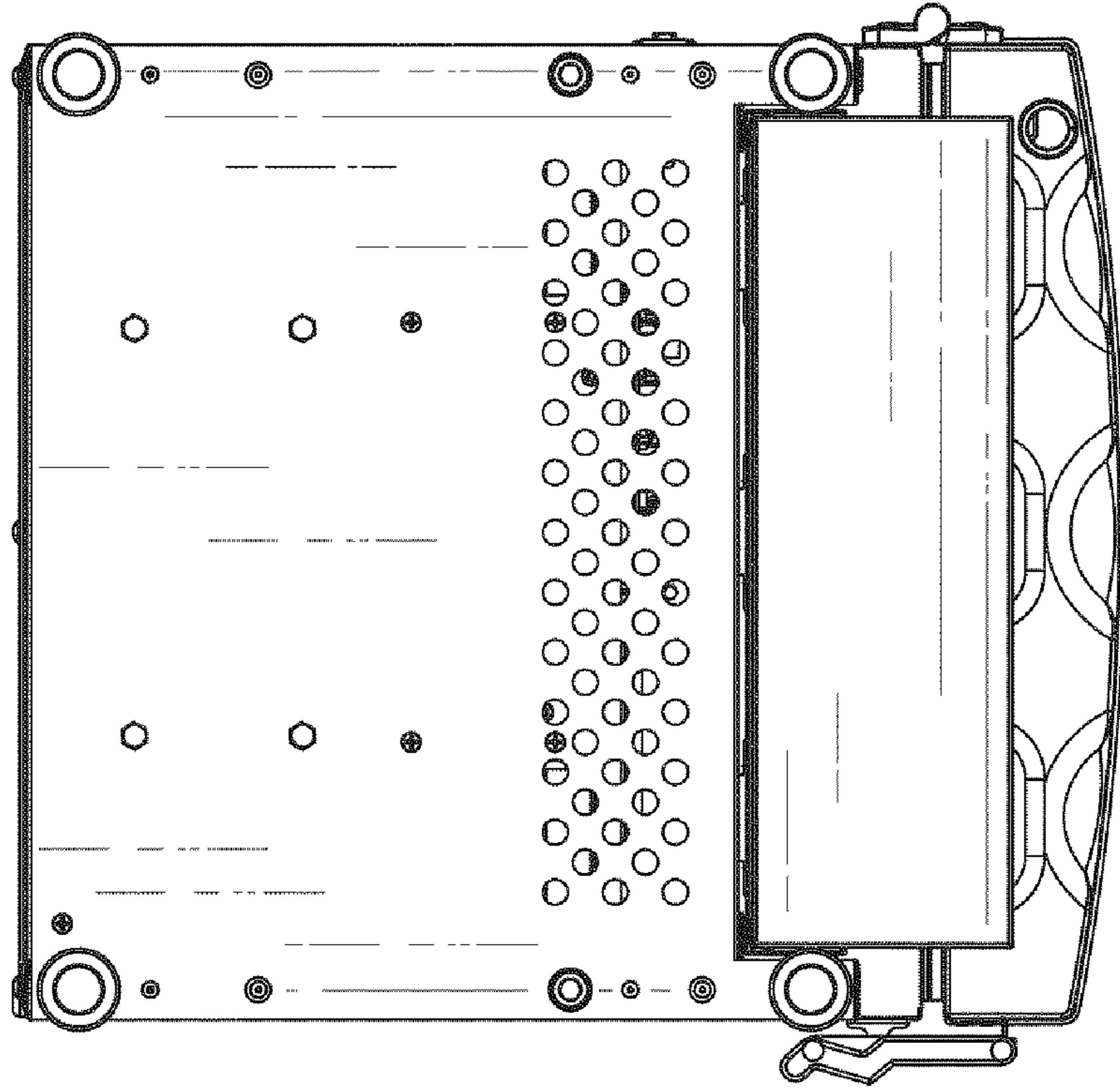


FIG. 14

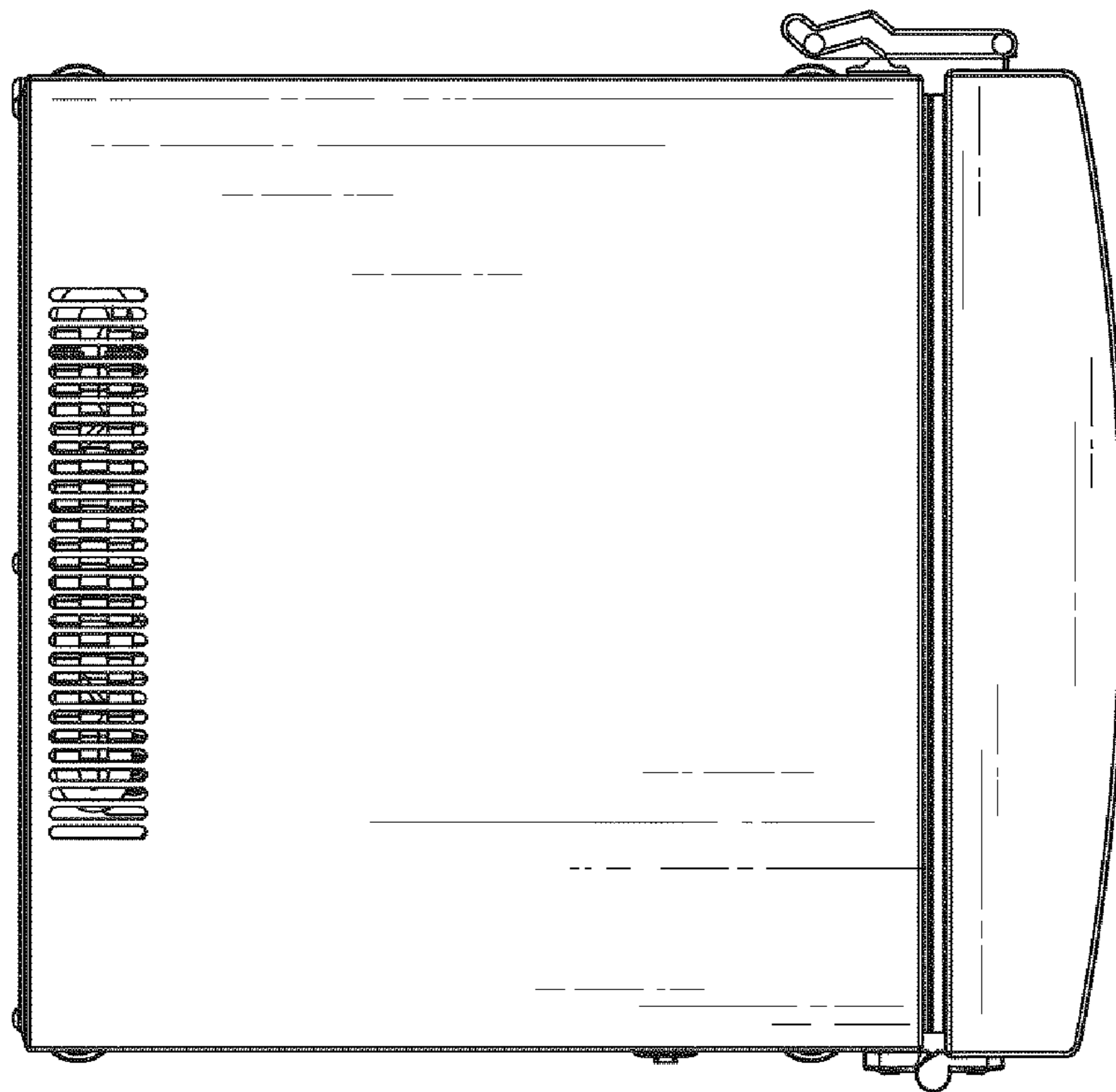


FIG. 13