



US00D649391S

(12) **United States Design Patent**
Goralski et al.

(10) **Patent No.:** **US D649,391 S**

(45) **Date of Patent:** **** Nov. 29, 2011**

(54) **DUAL FUNCTION WINE SYSTEM**

(75) Inventors: **William Goralski**, Delray Beach, FL
(US); **Phetsouvanh Kounlavong**, Lake
Worth, FL (US); **Brooks Rorke**,
Guilford, CT (US)

(73) Assignee: **Sunbeam Products, Inc.**, Boca Raton,
FL (US)

(**) Term: **14 Years**

(21) Appl. No.: **29/397,111**

(22) Filed: **Jul. 12, 2011**

(51) **LOC (9) Cl.** **07-01**

(52) **U.S. Cl.** **D7/306; D7/300**

(58) **Field of Classification Search** D7/306-311,
D7/300; D20/1; D15/80; 99/275; 222/129.1
See application file for complete search history.

(56) **References Cited**

U.S. PATENT DOCUMENTS

D321,806 S *	11/1991	Chaney	D7/308
D324,319 S *	3/1992	Faerber et al.	D7/308
D324,465 S *	3/1992	Ratzlaff	D7/308
D351,965 S *	11/1994	Credle, Jr.	D7/311
D358,427 S *	5/1995	Gobindram	D20/1
D453,655 S *	2/2002	Powell et al.	D7/306

D482,231 S *	11/2003	Dickson et al.	D7/378
D570,636 S *	6/2008	Kulujian et al.	D7/306
D601,847 S *	10/2009	Gammack et al.	D7/306
D611,753 S *	3/2010	Gammack et al.	D7/306
D613,112 S *	4/2010	Lippert et al.	D7/397
D638,650 S *	5/2011	Galeazzi	D7/309
D642,851 S *	8/2011	Yui	D7/307

* cited by examiner

Primary Examiner — Marianne Pandozzi

(74) *Attorney, Agent, or Firm* — Seth M. Blum

(57) **CLAIM**

The ornamental design for a dual function wine system, as shown and described.

DESCRIPTION

FIG. 1 is a front left perspective view of dual function wine system;

FIG. 2 is a front view thereof;

FIG. 3 is rear view thereof;

FIG. 4 is a left side view thereof;

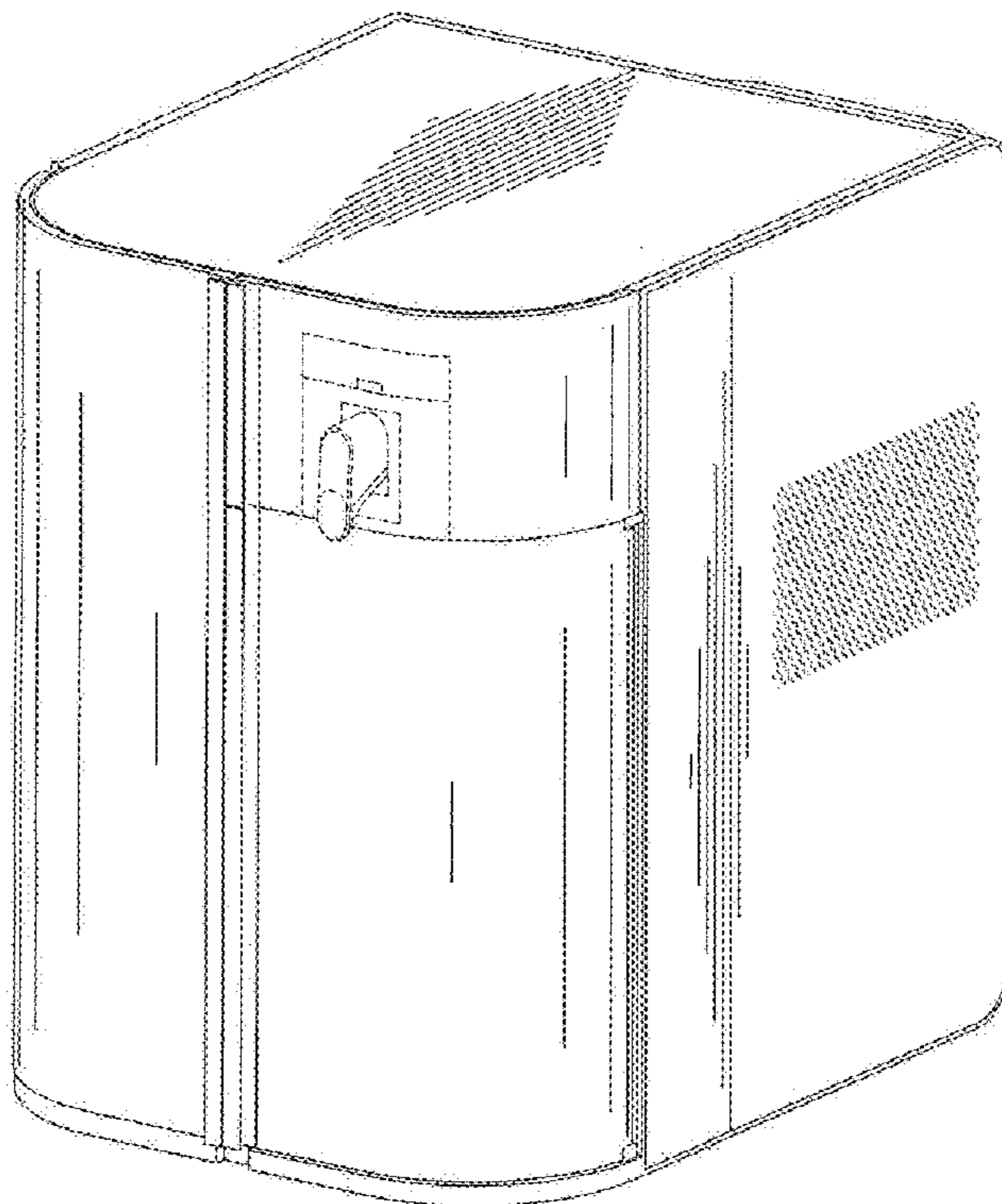
FIG. 5 is a tight side vie thereof;

FIG. 6 is a top plan view thereof; and,

FIG. 7 is a bottom plan view thereof.

The broken lines in the drawings are included for the purpose of illustration and form no part of the claimed design.

1 Claim, 7 Drawing Sheets



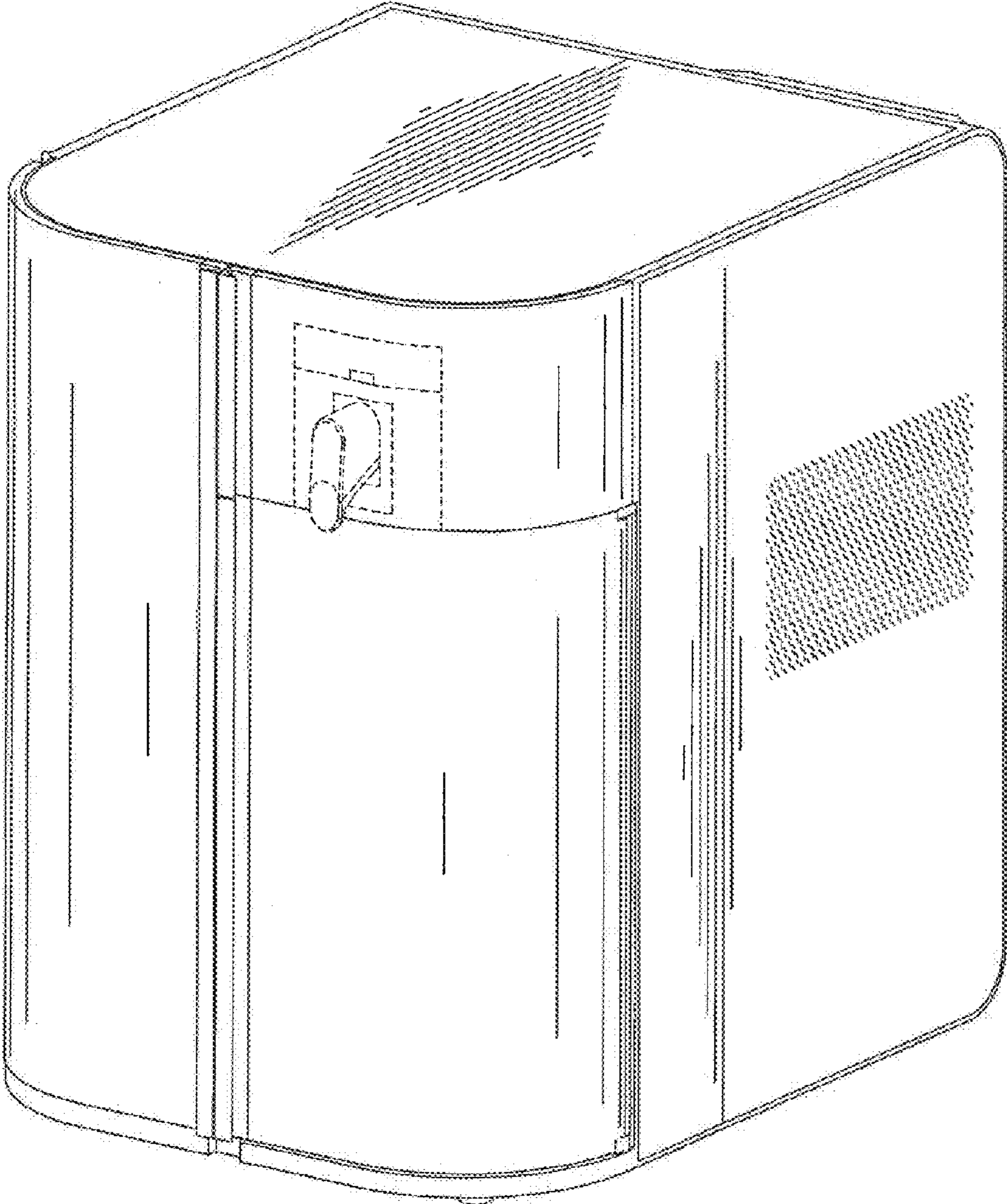


FIG 1

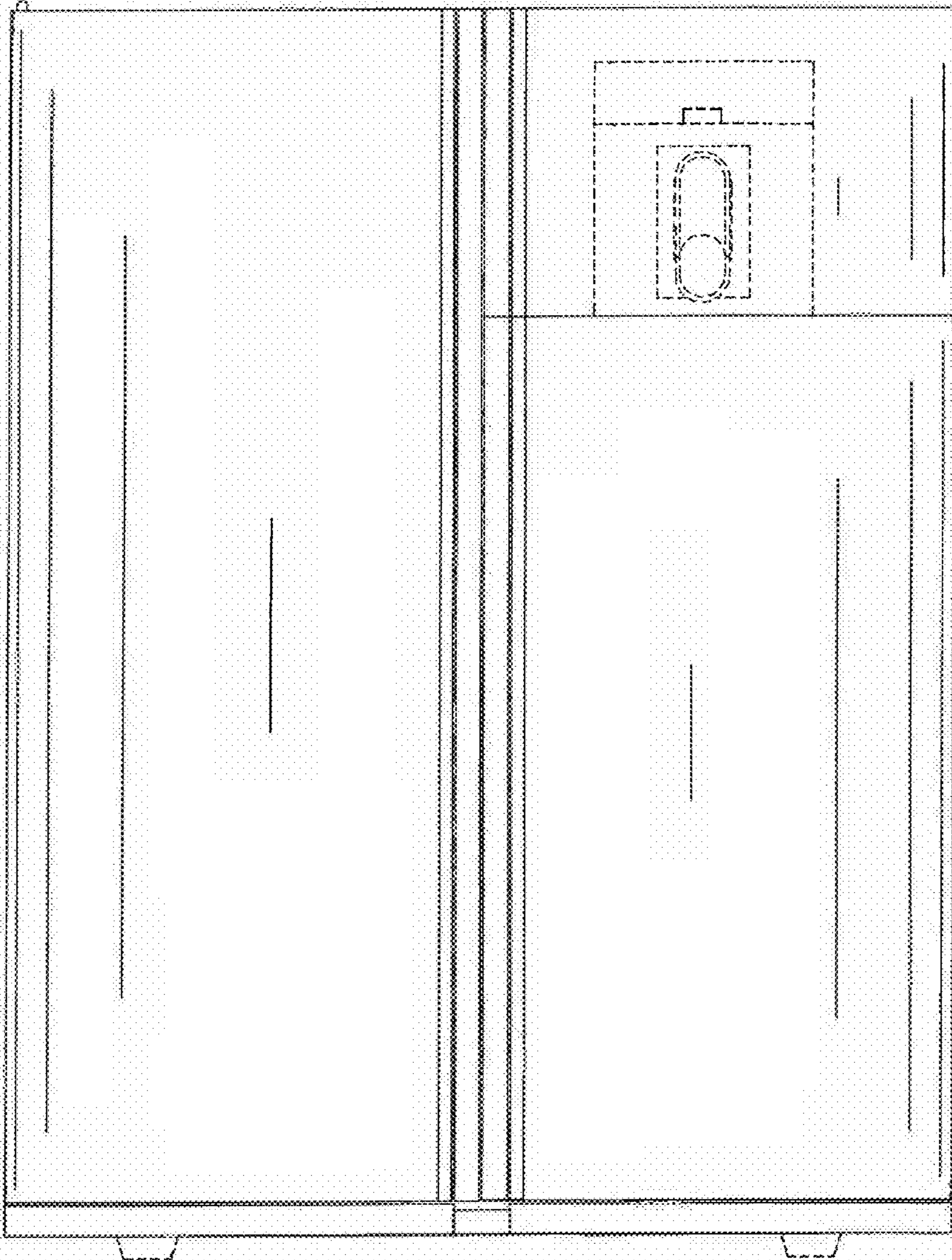


FIG 2

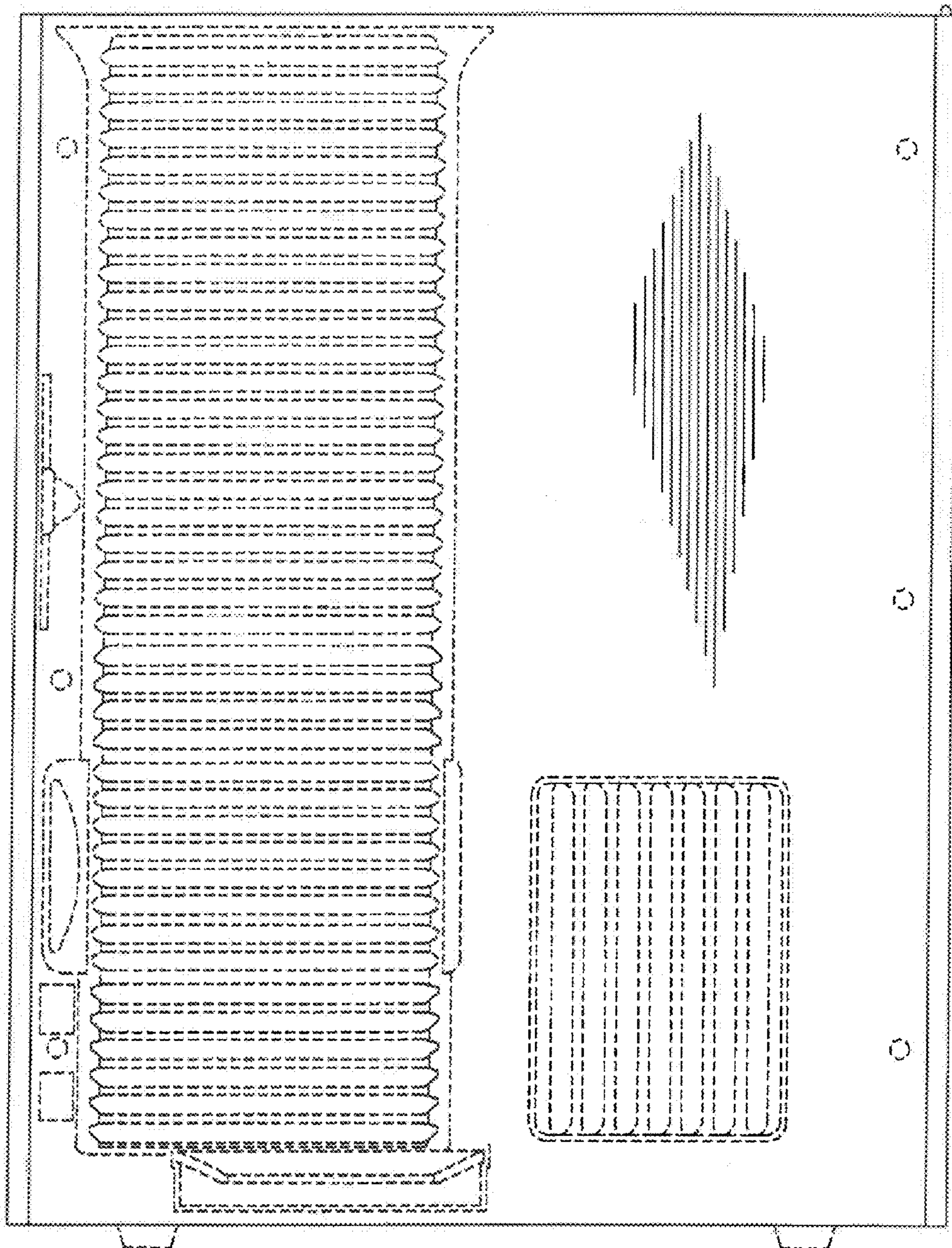


FIG 3

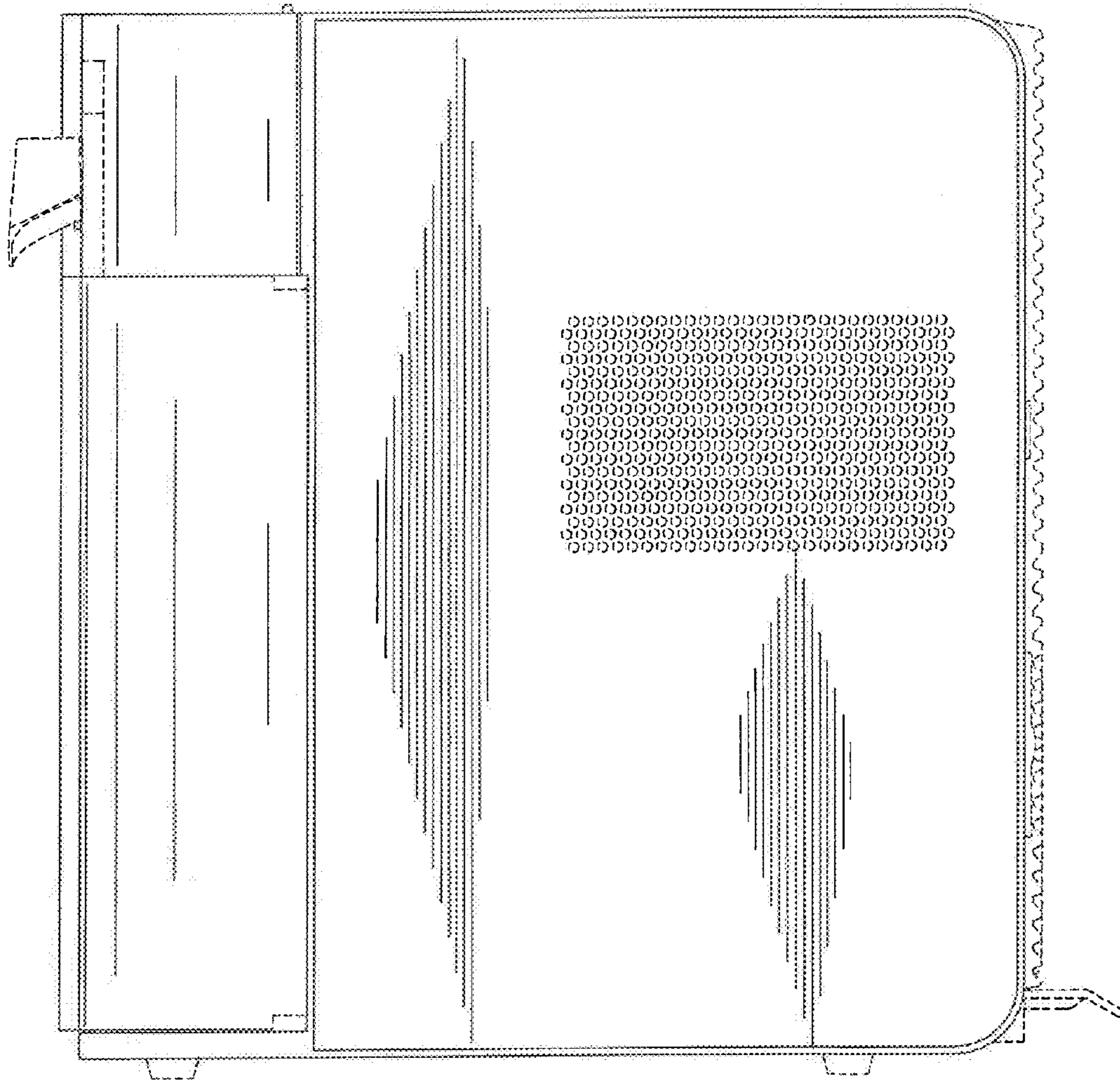


FIG 4

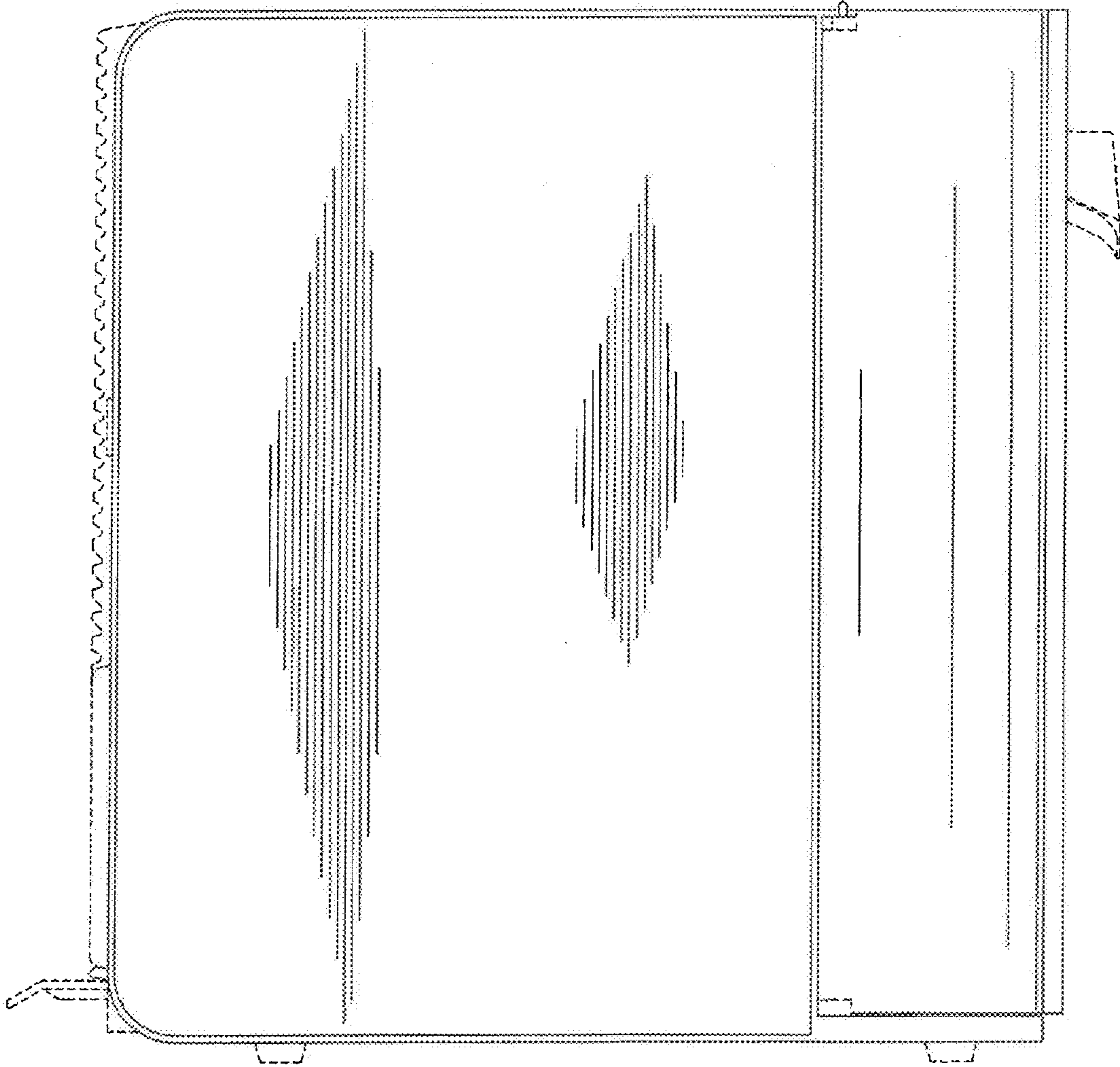


FIG 5

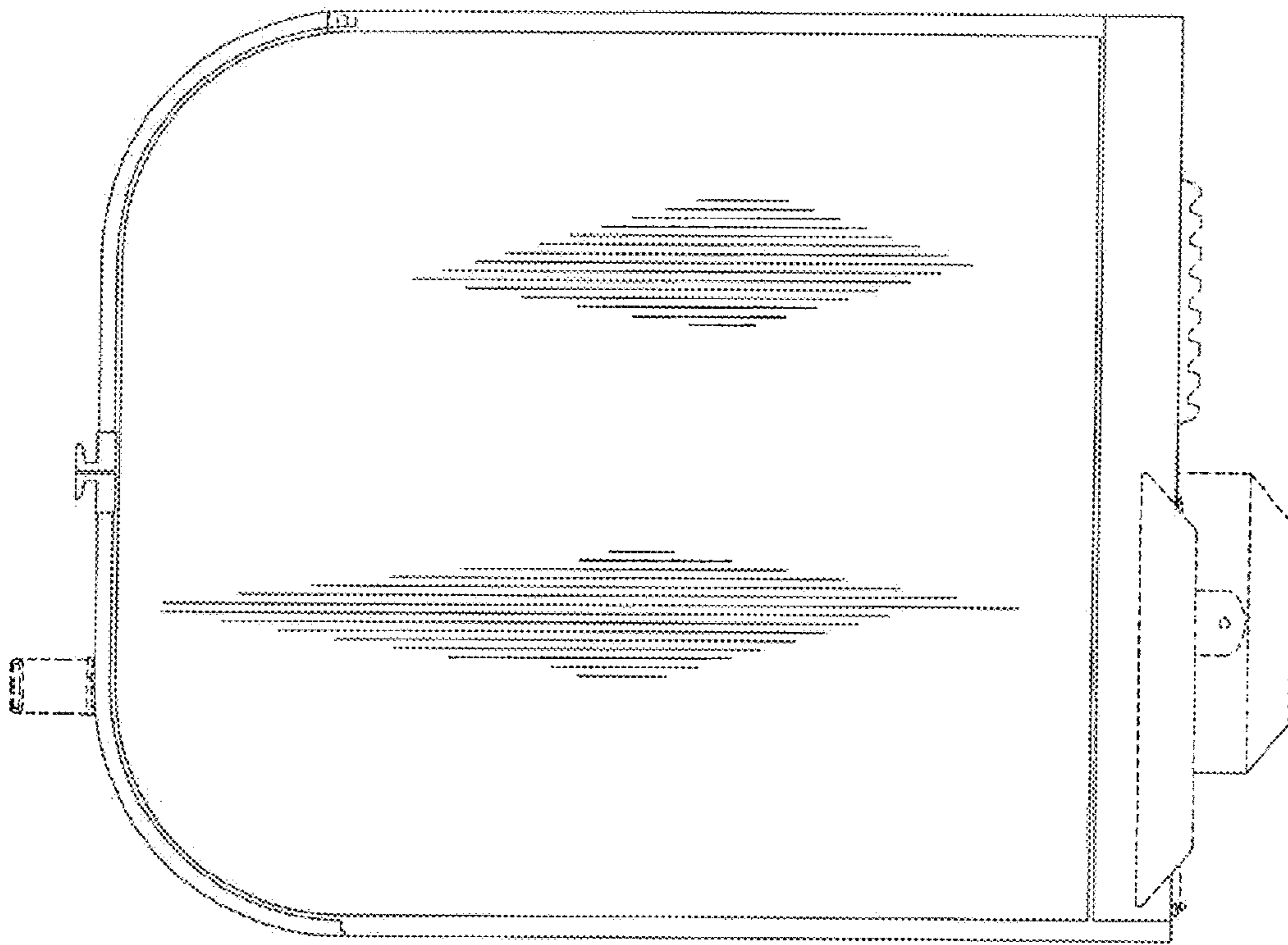


FIG 6

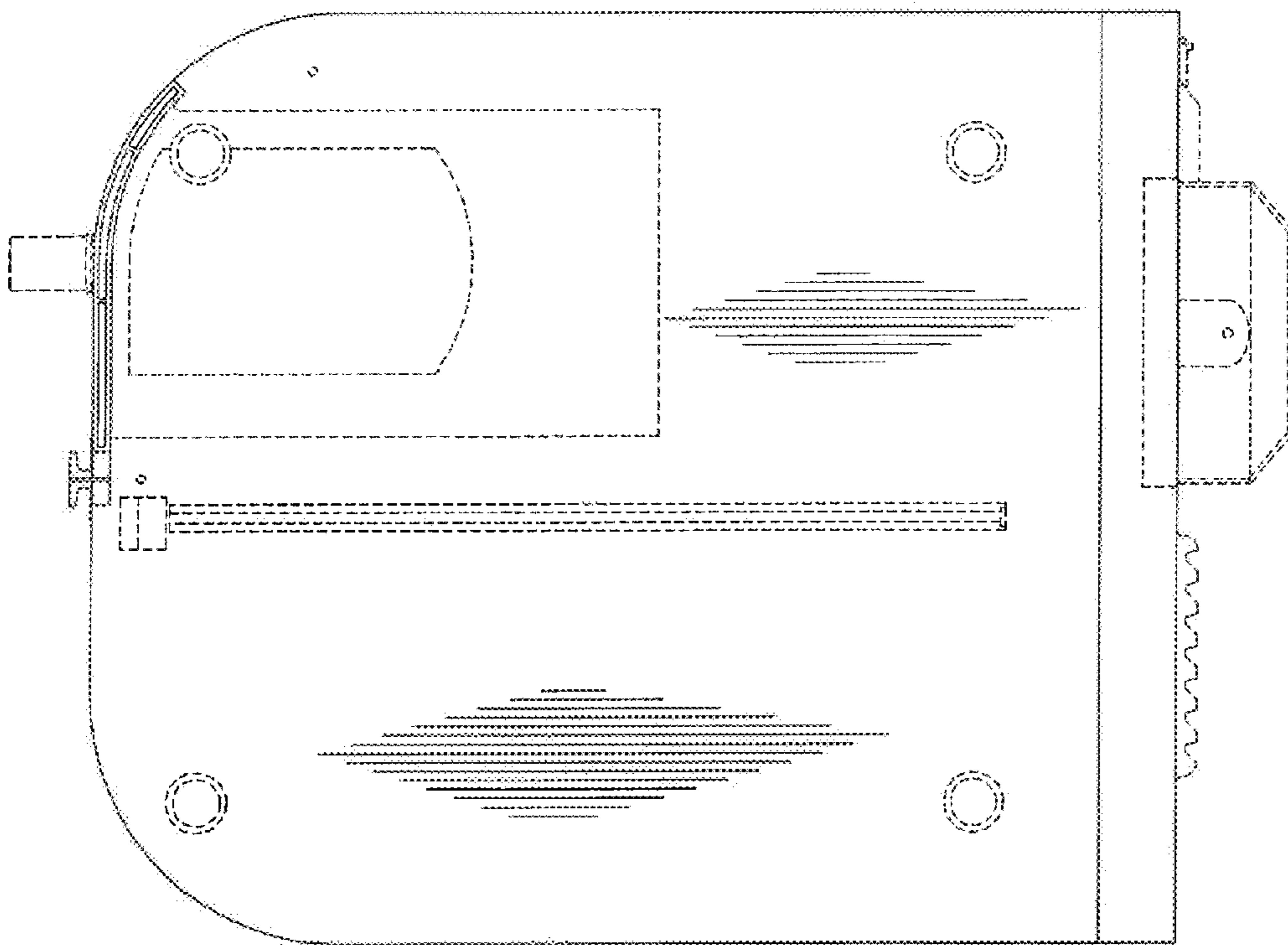


FIG 7