



US00D649390S

(12) **United States Design Patent**
Santoiemmo

(10) **Patent No.:** **US D649,390 S**

(45) **Date of Patent:** **** *Nov. 29, 2011**

(54) **BEVERAGE MAKER**

(75) Inventor: **Carl Santoiemmo**, Highland Heights,
OH (US)

(73) Assignee: **Primo Products, LLC**, Gastonia, NC
(US)

(**) Term: **14 Years**

(21) Appl. No.: **29/369,100**

(22) Filed: **Sep. 2, 2010**

(51) **LOC (9) Cl.** **07-01**

(52) **U.S. Cl.** **D7/306; D7/311**

(58) **Field of Classification Search** D7/305-311,
D7/300; 99/295, 304, 323, 293
See application file for complete search history.

D408,679	S	*	4/1999	Potts et al.
5,901,635	A		5/1999	Lucas et al.
5,918,768	A		7/1999	Ford
6,068,875	A		5/2000	Miller et al.
6,079,315	A		6/2000	Beaulieu et al.
6,082,247	A		7/2000	Beaulicu
6,142,063	A		11/2000	Beaulieu et al.
6,182,554	B1		2/2001	Beaulieu et al.
6,305,267	B1		10/2001	Rolfes
D452,433	S	*	12/2001	Lazaris
D452,434	S	*	12/2001	Sweeney
D461,358	S	*	8/2002	Cahen D7/309

(Continued)

FOREIGN PATENT DOCUMENTS

WO WO 2005/079361 A2 9/2005

OTHER PUBLICATIONS

International Search Report and Written Opinion for International
Application No. PCT/US2008/062653, mailed Aug. 14, 2008.

(Continued)

(56) **References Cited**

U.S. PATENT DOCUMENTS

3,596,588	A	8/1971	Moss
4,793,513	A	12/1988	Verheijen
4,815,366	A	3/1989	Hauslein
4,836,414	A	6/1989	Credle, Jr. et al.
4,944,217	A	7/1990	Watanabe
5,008,013	A	4/1991	Favre et al.
5,063,836	A	11/1991	Patel
5,071,594	A	12/1991	Borland et al.
5,111,740	A	5/1992	Klein
5,124,088	A	6/1992	Stumphauzer
5,188,019	A	2/1993	Vahabpour
5,195,422	A	3/1993	Newnan
5,260,081	A	11/1993	Stumphauzer et al.
5,295,611	A	3/1994	Simard
5,325,765	A	7/1994	Sylvan et al.
5,460,846	A	10/1995	Stumphauzer et al.
5,794,519	A	8/1998	Fischer
5,840,189	A	11/1998	Sylvan et al.
5,870,944	A	2/1999	Vander Zalm et al.
5,875,703	A	3/1999	Rolfes

Primary Examiner — Marianne Pandozzi

(74) *Attorney, Agent, or Firm* — Alston & Bird LLP

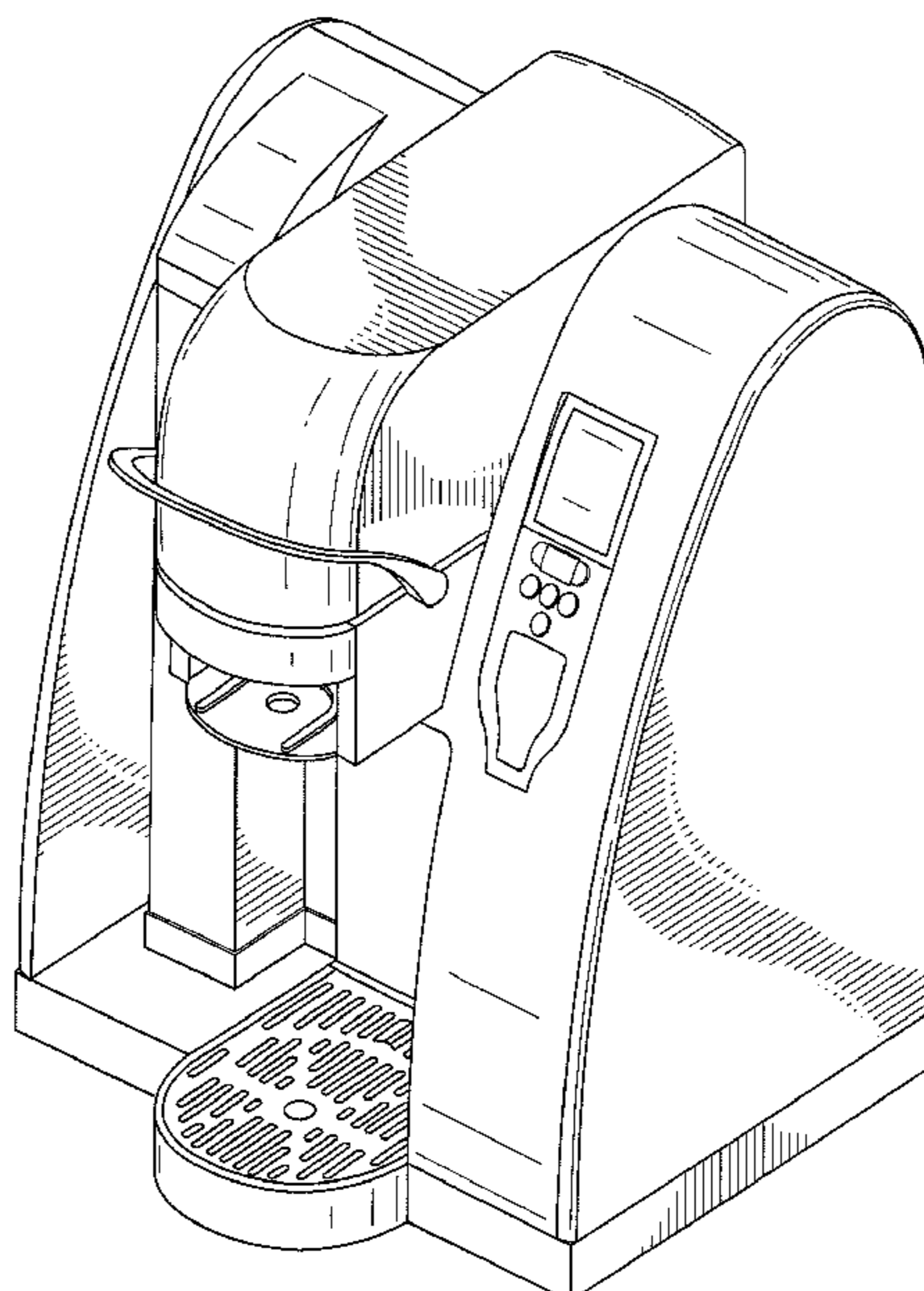
(57) **CLAIM**

The ornamental design for a beverage maker, as shown and
described.

DESCRIPTION

FIG. 1 is a perspective view of a beverage maker showing my
new design;
FIG. 2 is a rear perspective view thereof;
FIG. 3 is a front elevational view thereof;
FIG. 4 is a right side elevational view thereof;
FIG. 5 is a left side elevational view thereof;
FIG. 6 is a bottom plan view; and,
FIG. 7 is a top plan view thereof.

1 Claim, 7 Drawing Sheets



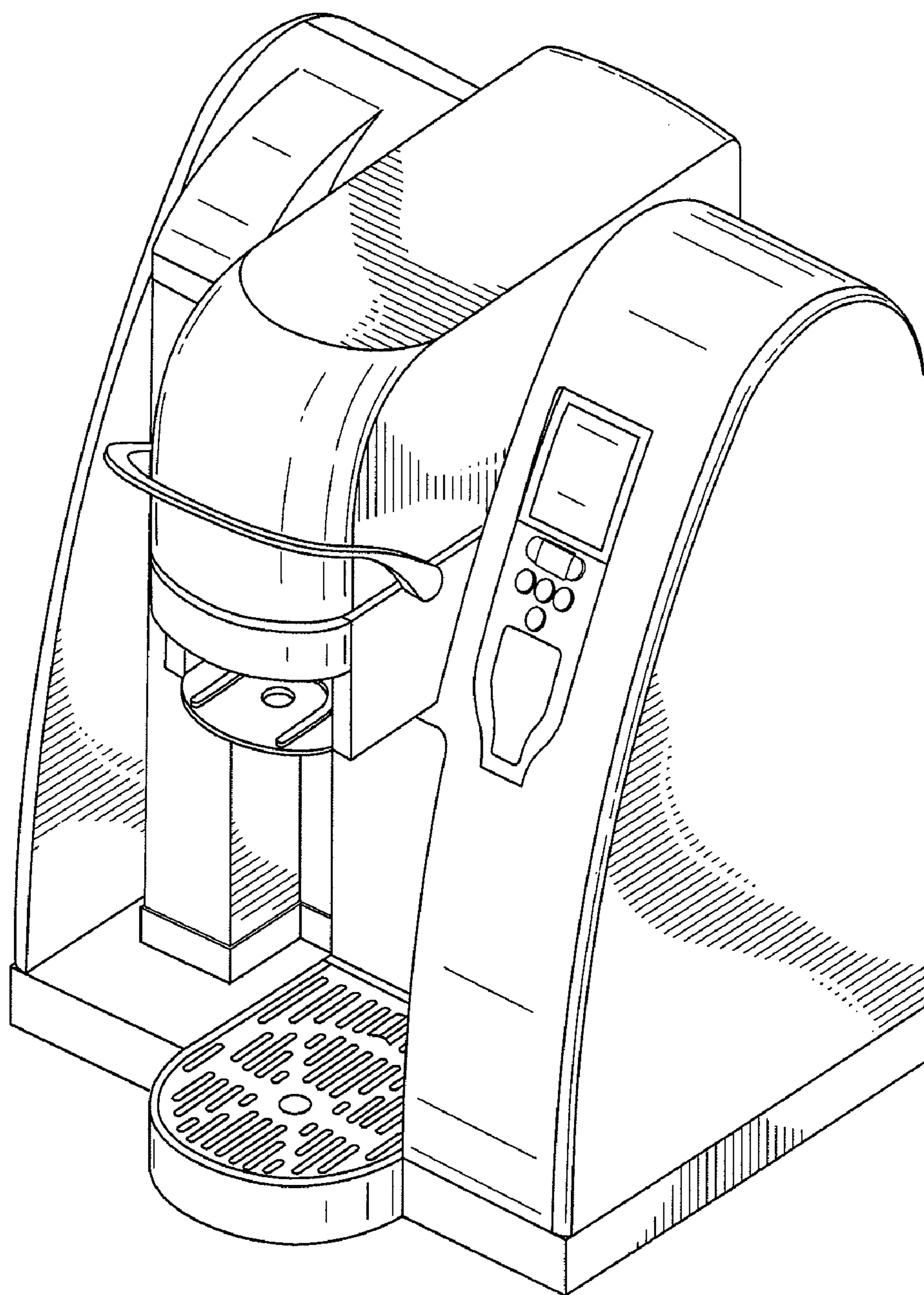


FIG. 1

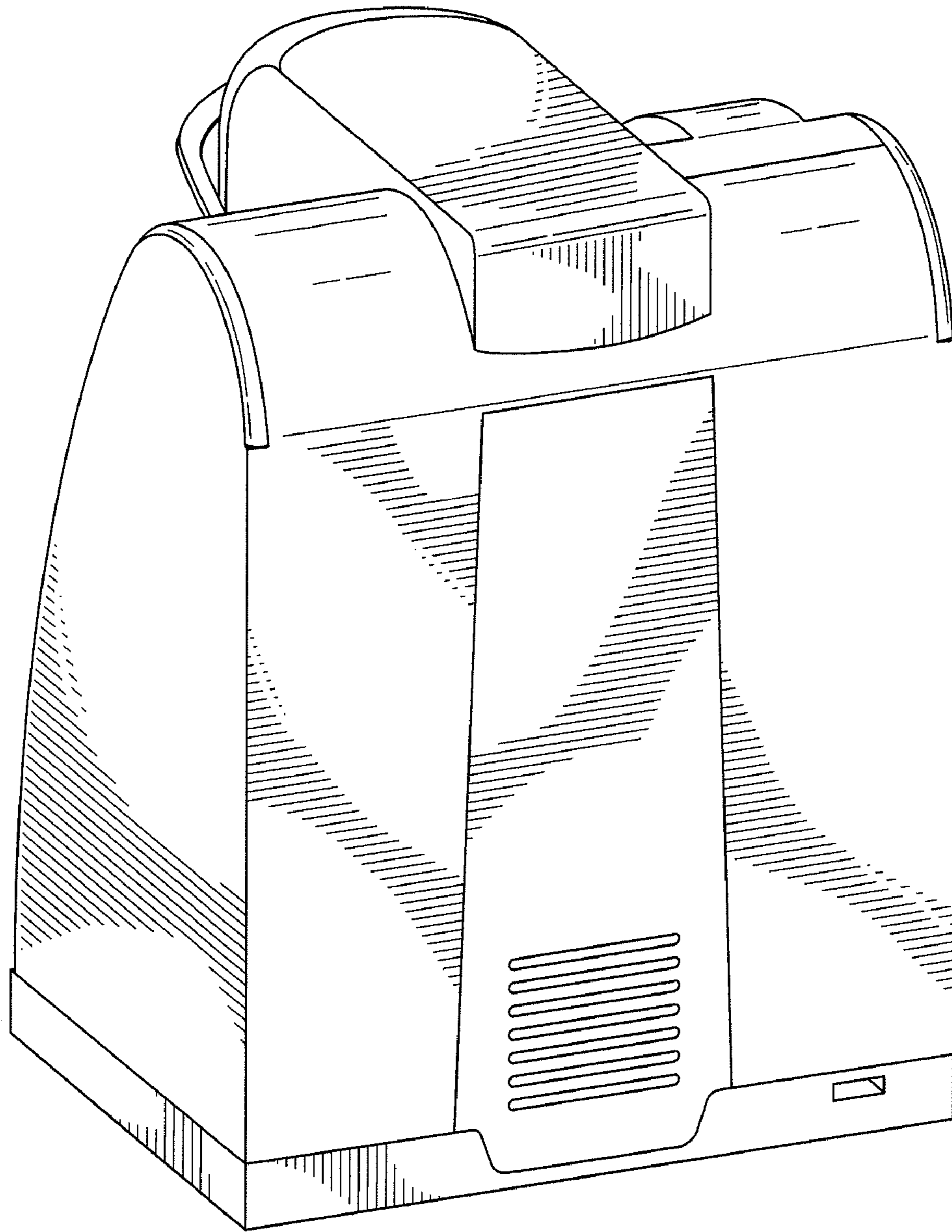


FIG. 2

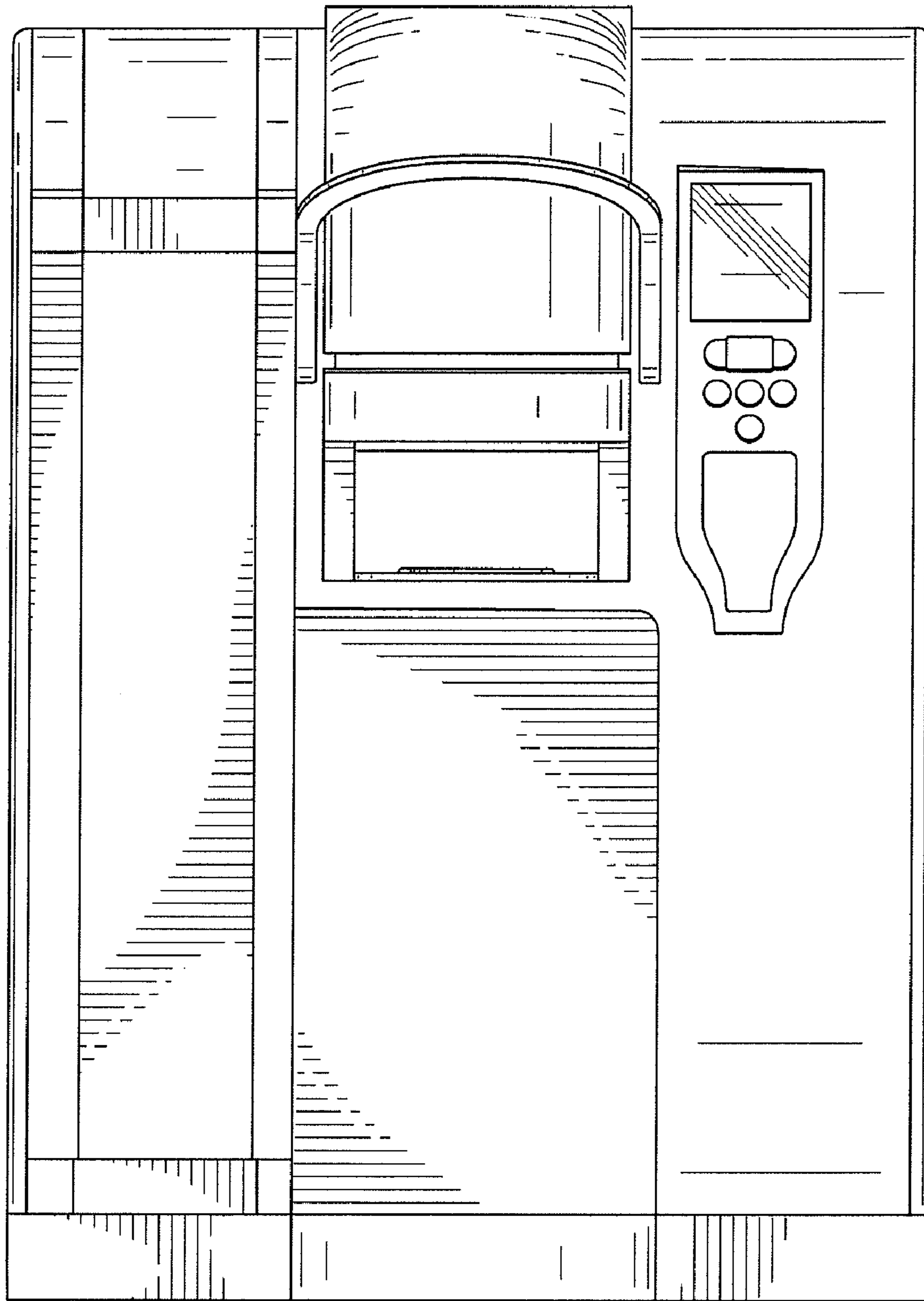


FIG. 3

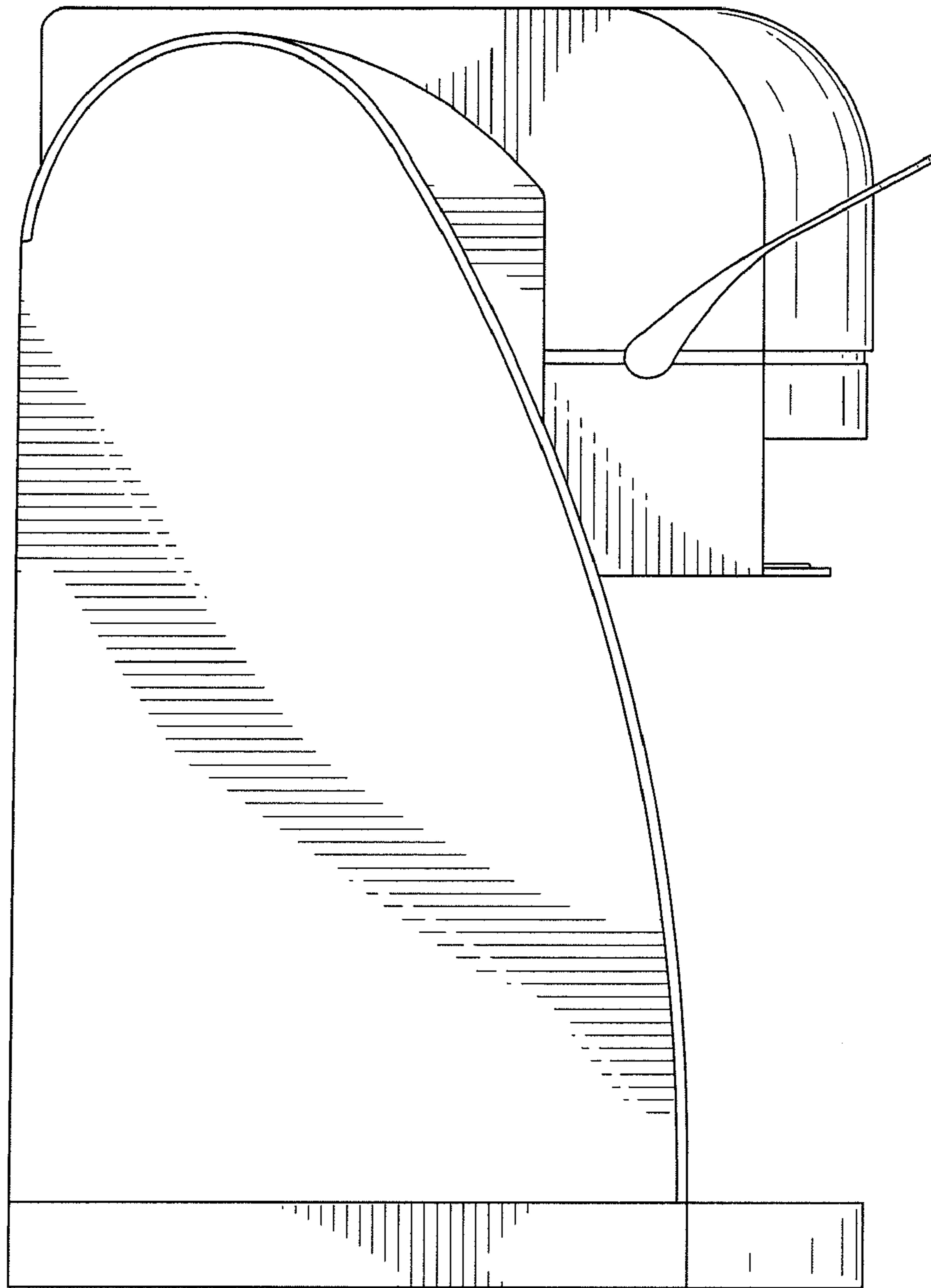


FIG. 4

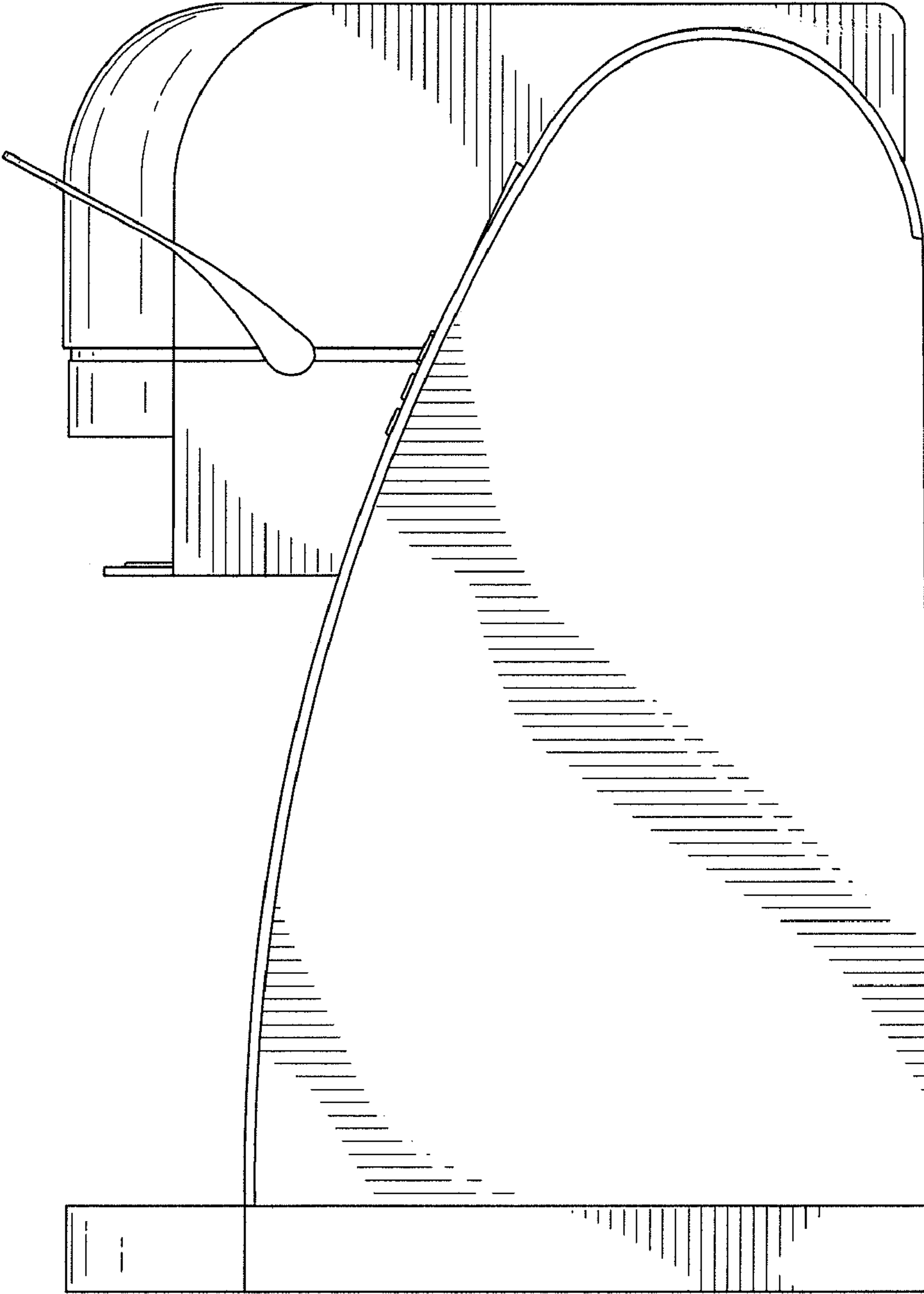


FIG. 5

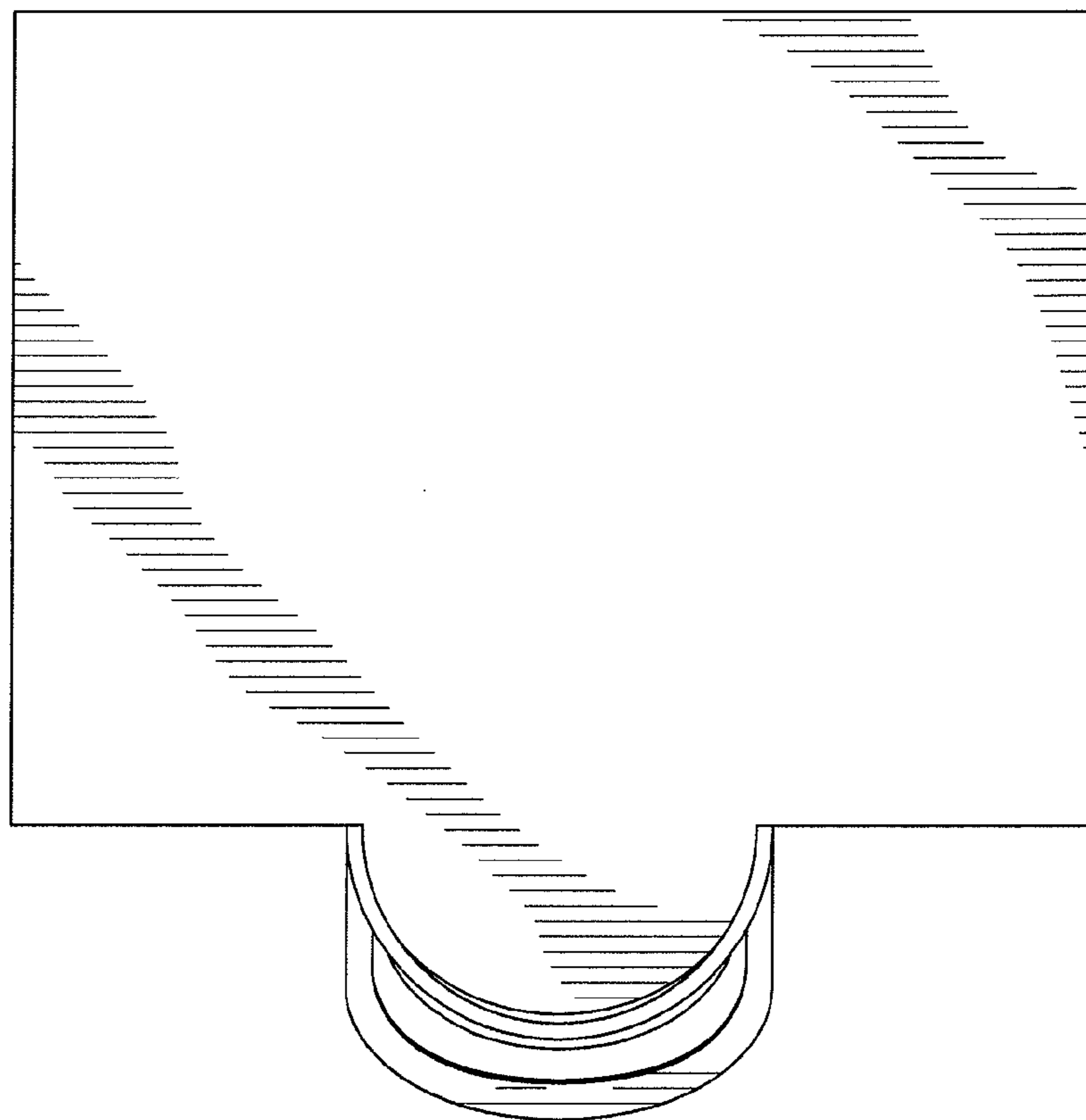


FIG. 6

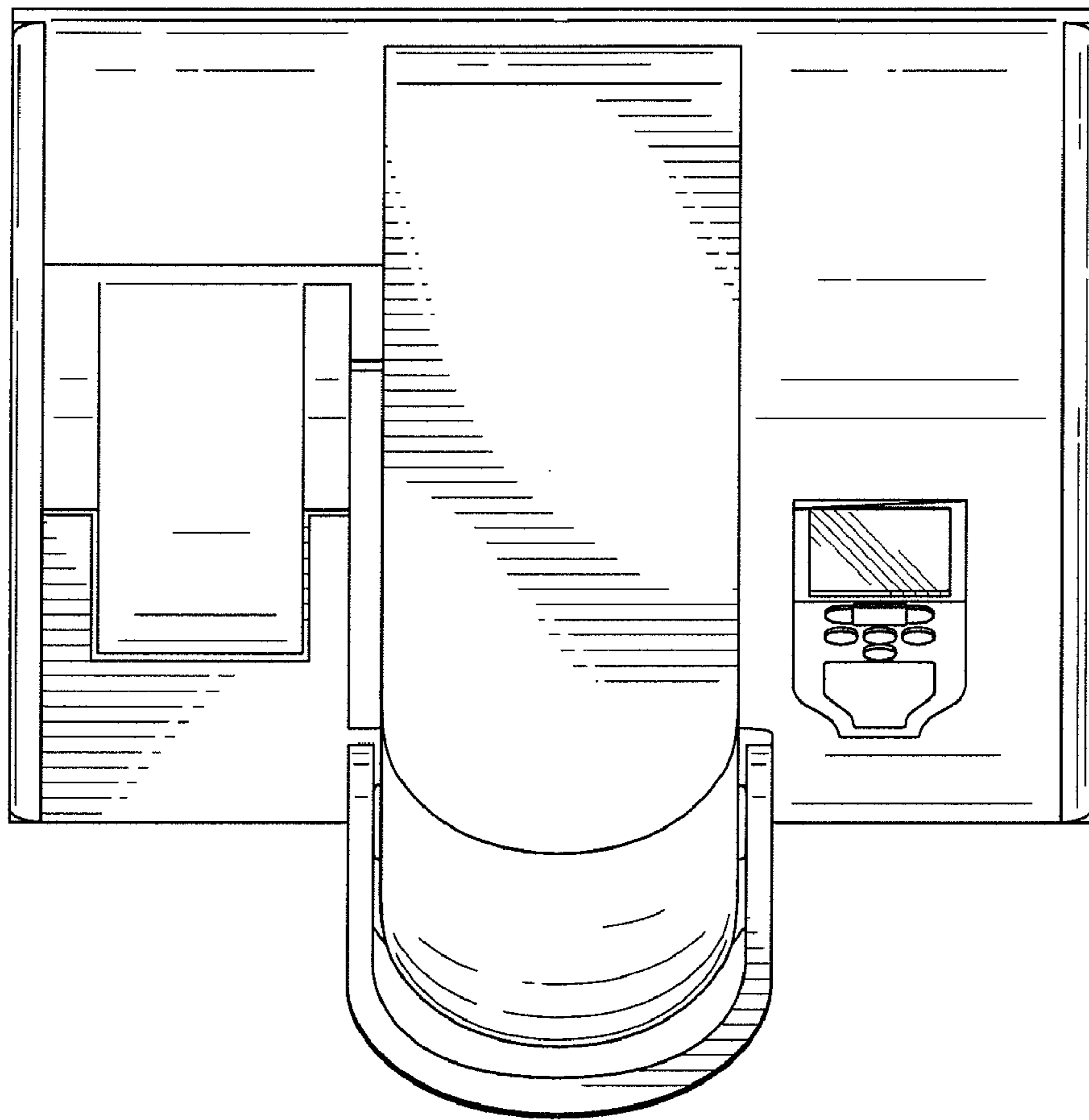


FIG. 7

UNITED STATES PATENT AND TRADEMARK OFFICE
CERTIFICATE OF CORRECTION

PATENT NO. : D649,390 S
APPLICATION NO. : 29/369100
DATED : November 29, 2011
INVENTOR(S) : Santoiemmo

Page 1 of 1

It is certified that error appears in the above-identified patent and that said Letters Patent is hereby corrected as shown below:

Title page.

Item (73), Assignee: "**Primo Products, LLC**, Gastonia, NC" should read
--Primo Products, LLC, Winston-Salem, NC--.

Signed and Sealed this
Eleventh Day of September, 2012

A handwritten signature in black ink that reads "David J. Kappos". The signature is written in a cursive style with a large initial 'D' and 'K'.

David J. Kappos
Director of the United States Patent and Trademark Office