



US00D649382S

(12) **United States Design Patent**  
**Schopmeyer**

(10) **Patent No.:** **US D649,382 S**

(45) **Date of Patent:** **\*\* \*Nov. 29, 2011**

(54) **FRETWORK**

(75) **Inventor:** **Jesse Thomas Schopmeyer**, Morganton, NC (US)

(73) **Assignee:** **Broyhill Furniture Industries, Inc.**, Lenoir, NC (US)

(\*) **Notice:** This patent is subject to a terminal disclaimer.

(\*\*) **Term:** **14 Years**

(21) **Appl. No.:** **29/316,879**

(22) **Filed:** **Nov. 10, 2009**

(51) **LOC (9) Cl.** ..... **06-06**

(52) **U.S. Cl.** ..... **D6/495; D6/492**

(58) **Field of Classification Search** ..... D6/480-489, D6/495, 499, 451, 429-431, 370, 502, 492, D6/494, 491; 108/153.1, 156, 157, 161; 248/188, 188.1, 188.7, 188.8

See application file for complete search history.

(56) **References Cited**

**U.S. PATENT DOCUMENTS**

D311,098 S *	10/1990	Lee et al.	.....	D6/380
D322,766 S *	12/1991	Leis et al.	.....	D11/132
D340,821 S *	11/1993	Gibilterra	.....	D6/488
D362,770 S *	10/1995	Green	.....	D6/480
D363,622 S *	10/1995	Walters et al.	.....	D6/477
D413,460 S *	9/1999	Schroeder	.....	D6/480
D421,354 S *	3/2000	Walters et al.	.....	D6/492

D447,355 S *	9/2001	Copeland	.....	D6/380
D491,383 S *	6/2004	Swy et al.	.....	D6/380
D574,620 S *	8/2008	Lowsky	.....	D6/370

**OTHER PUBLICATIONS**

U.S. Appl. No. 29/316,843, filed Nov. 6, 2009, Schopmeyer.  
U.S. Appl. No. 29/316,842, filed Nov. 6, 2009, Schopmeyer.  
U.S. Appl. No. 29/316,877, filed Nov. 10, 2009, Schopmeyer.  
Color Photograph of wall hanging shown in catalog.

\* cited by examiner

*Primary Examiner* — Janice Seeger

(74) *Attorney, Agent, or Firm* — Kilpatrick Townsend & Stockton LLP

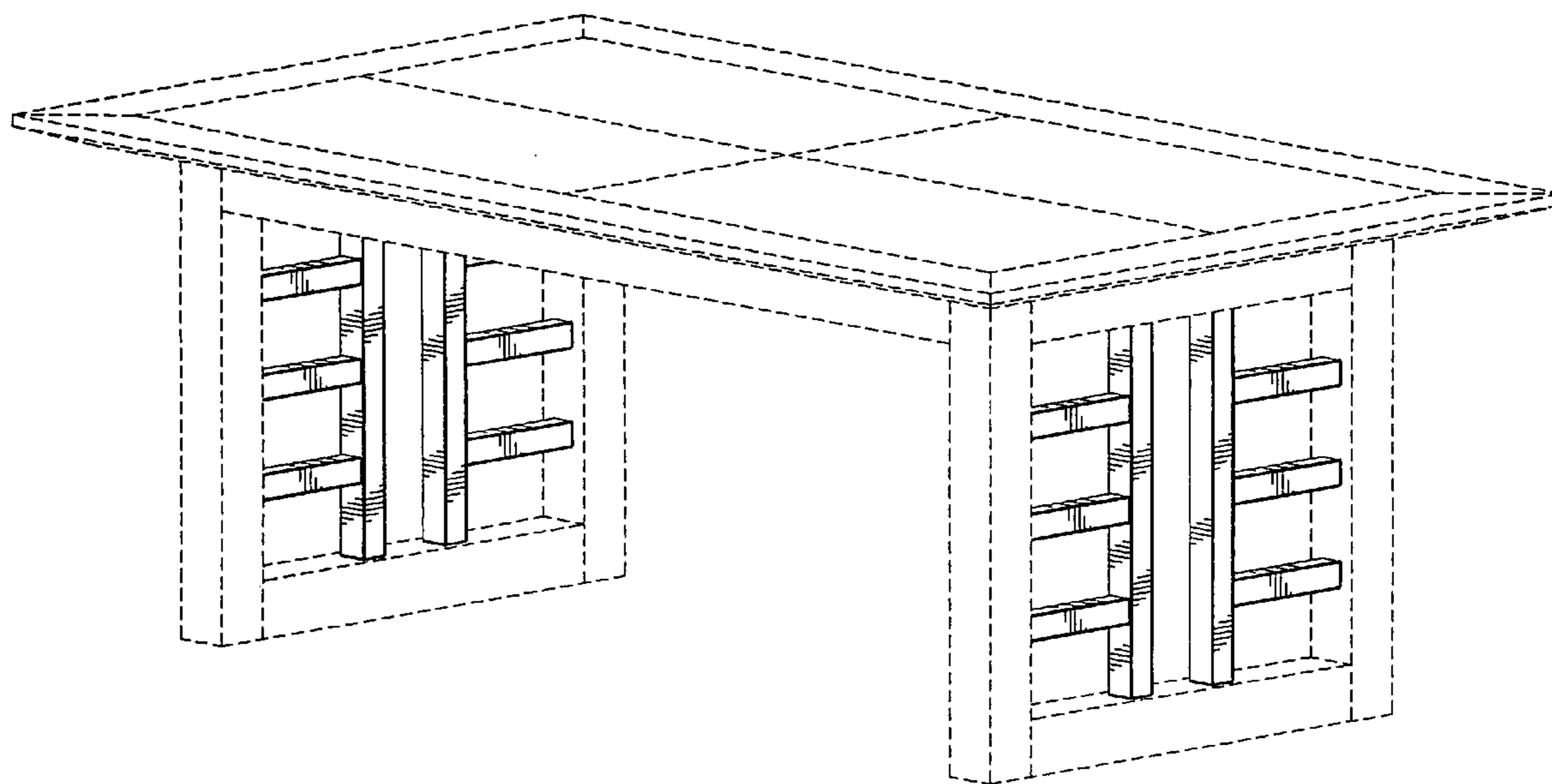
(57) **CLAIM**

The ornamental design for a fretwork, as shown and described.

**DESCRIPTION**

FIG. 1 a perspective view of a fretwork, showing my new design;  
FIG. 2 is a front elevational view thereof;  
FIG. 3 is a right side elevational thereof, the left side being identical thereto;  
FIG. 4 is a top plan view thereof; and,  
FIG. 5 is a bottom plan view thereof.  
In the drawings, the broken lines form no part of the claimed design.

**1 Claim, 4 Drawing Sheets**



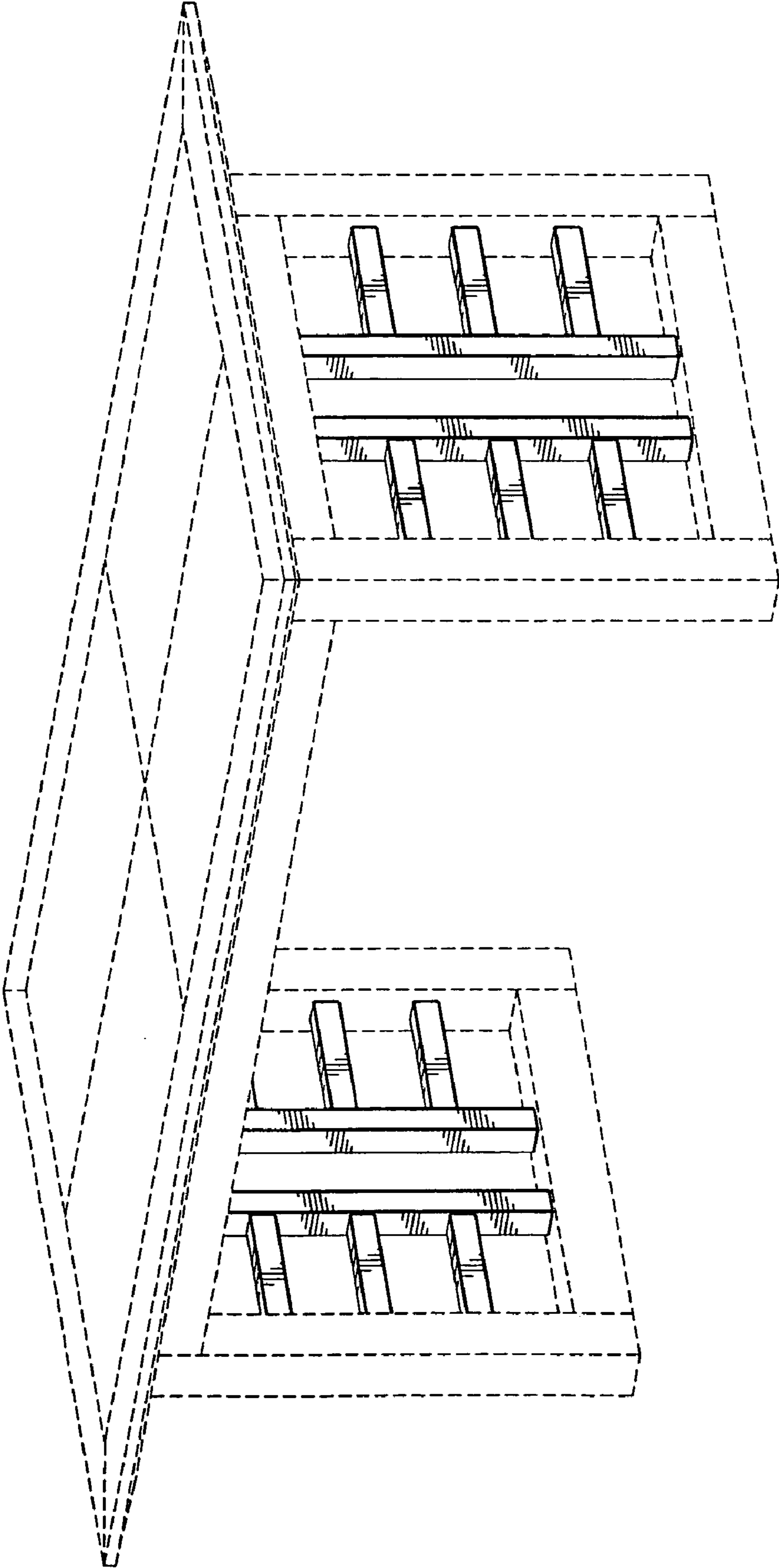


FIG. 1

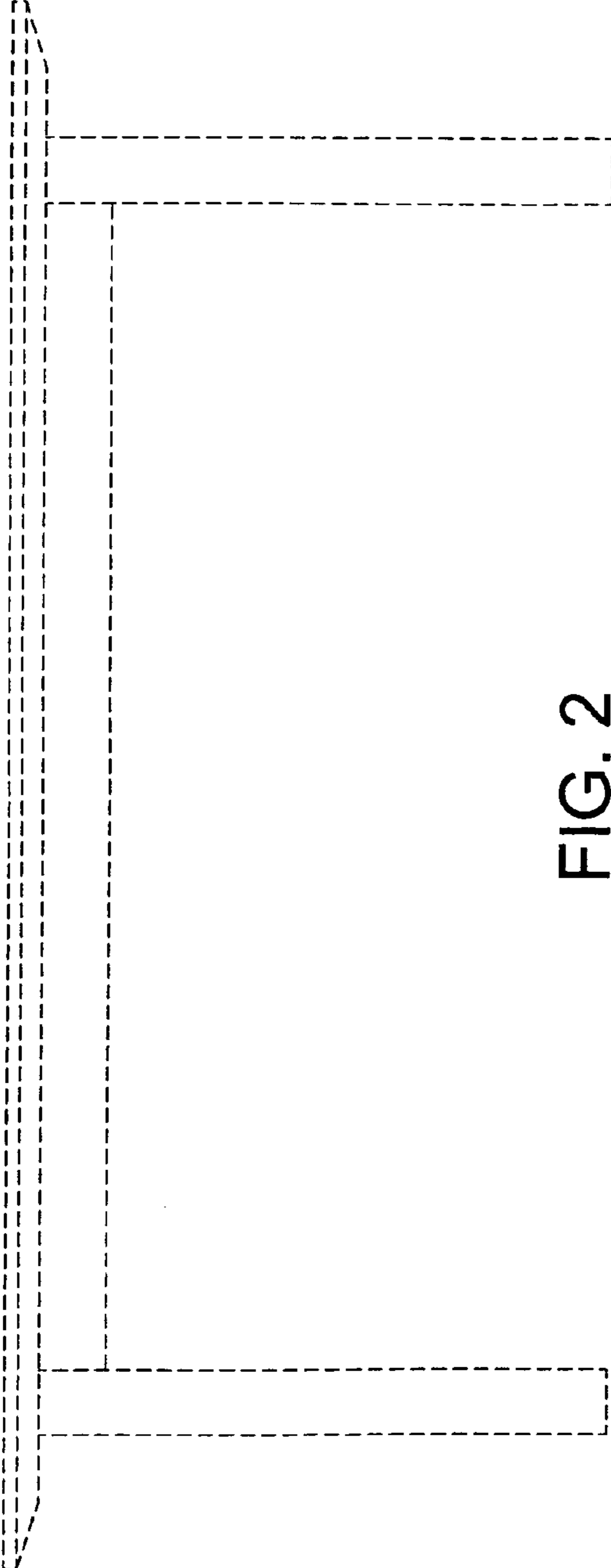


FIG. 2

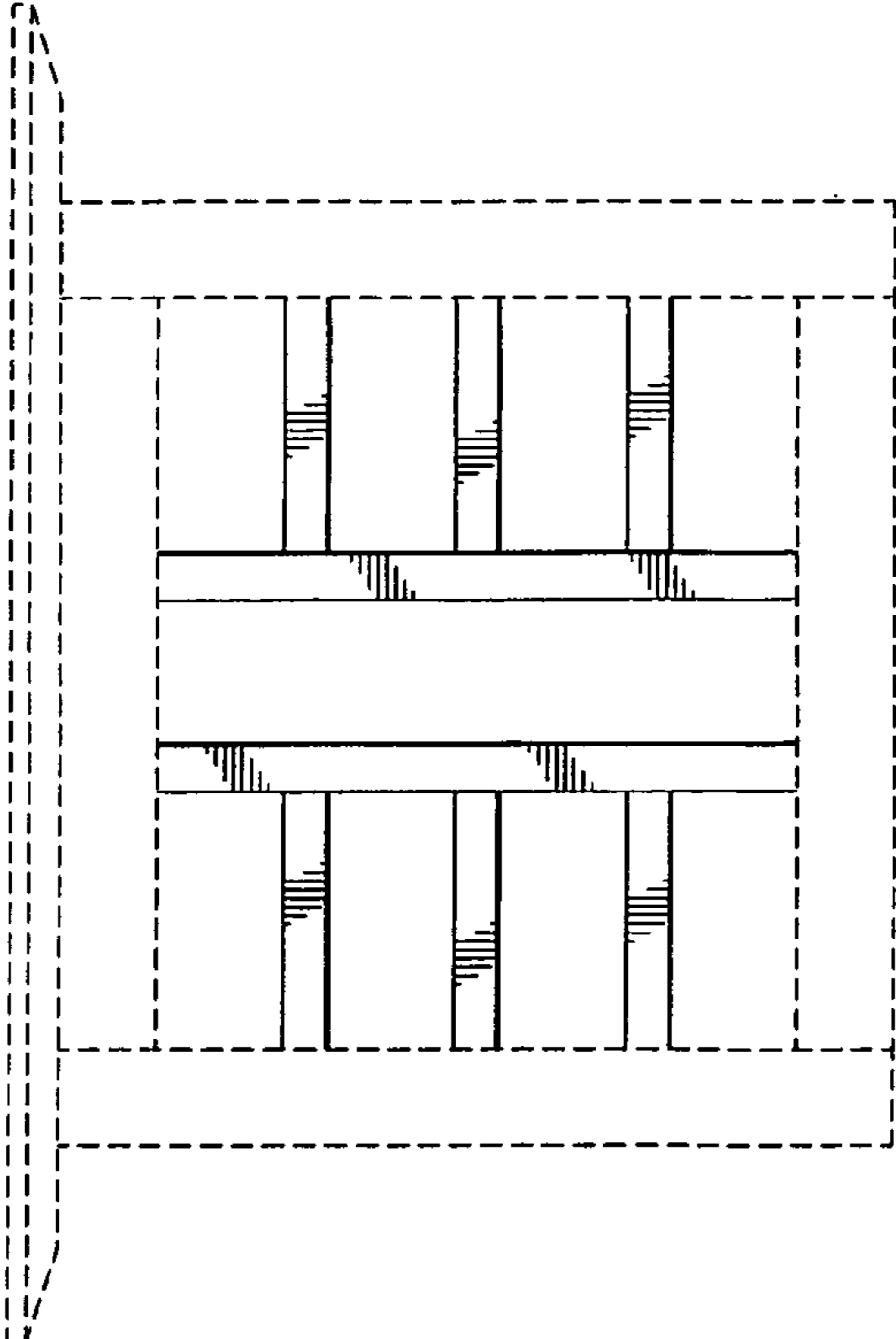


FIG. 3

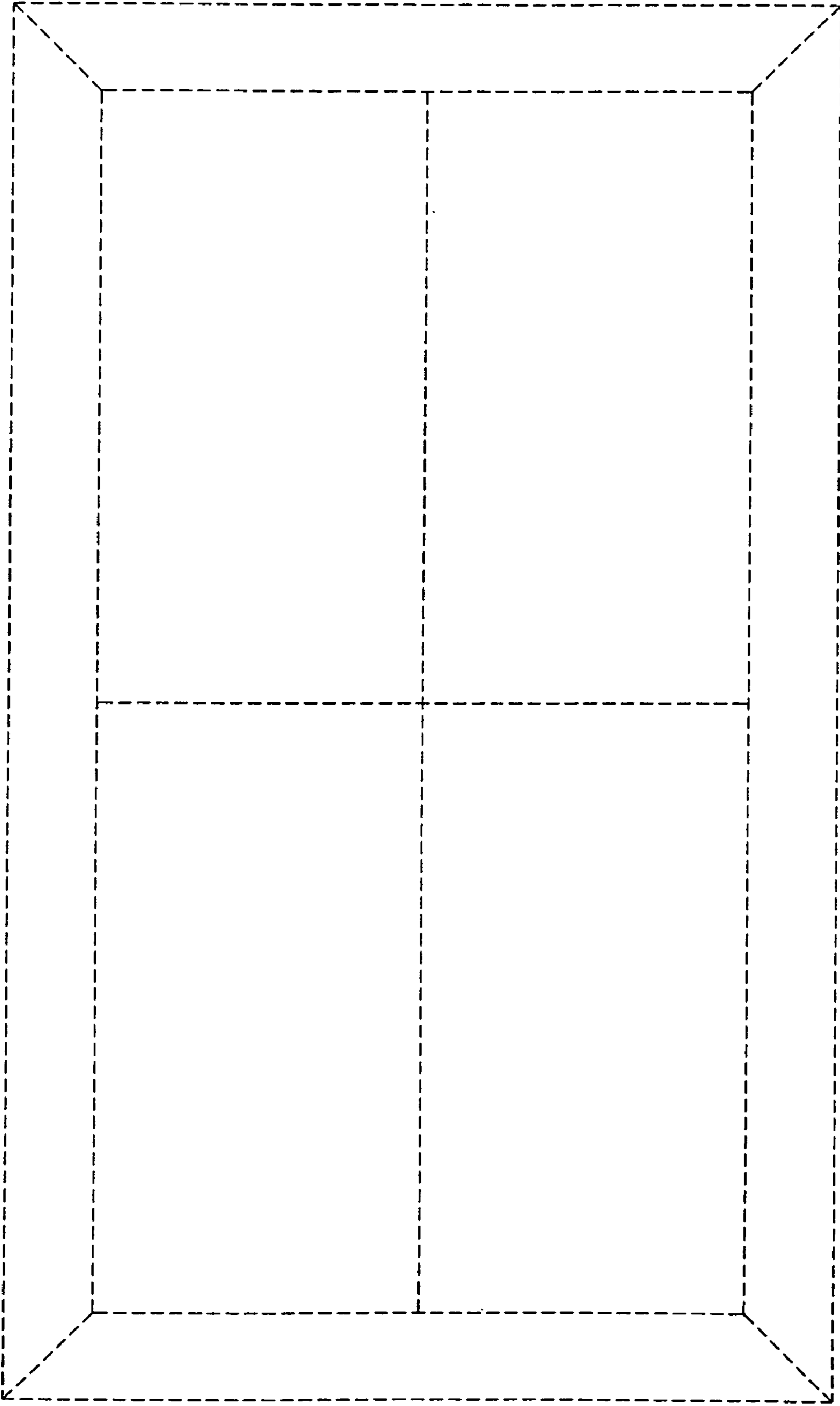


FIG. 4

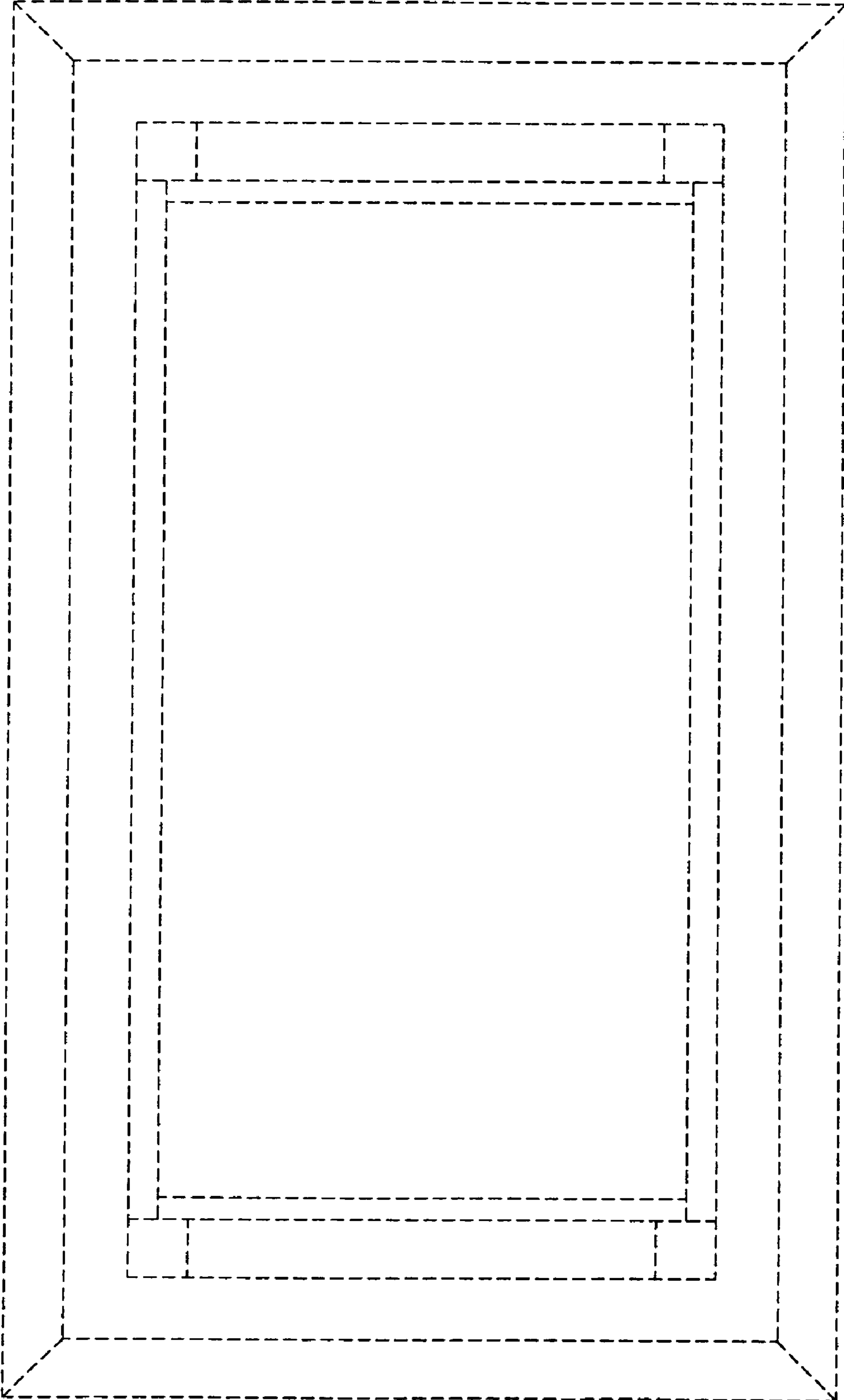


FIG. 5