



US00D649378S

(12) **United States Design Patent**  
**Rogers**

(10) **Patent No.:** **US D649,378 S**

(45) **Date of Patent:** **\*\* Nov. 29, 2011**

(54) **ADJUSTABLE SUPPORT FRAME**

(76) Inventor: **Duke V. Rogers**, Meridian, ID (US)

(\*\*) Term: **14 Years**

(21) Appl. No.: **29/389,122**

(22) Filed: **Apr. 6, 2011**

**Related U.S. Application Data**

(60) Division of application No. 29/364,145, filed on Jun. 18, 2010, now Pat. No. Des. 637,015, which is a continuation-in-part of application No. 12/122,909, filed on May 19, 2008, now abandoned.

(51) **LOC (9) Cl.** ..... **06-04**

(52) **U.S. Cl.** ..... **D6/462**

(58) **Field of Classification Search** ..... D6/396,  
D6/411, 449-469, 473, 474, 477, 479, 606,  
D6/607; 5/503.1, 504.1, 505.1; 211/1, 13.1,  
211/40, 42, 43, 49.1, 50, 52, 53, 55, 56, 58,  
211/60.1, 70.3, 85.2, 85.8, 123, 181.1, 182,  
211/189

See application file for complete search history.

(56) **References Cited**

**U.S. PATENT DOCUMENTS**

802,610	A	10/1905	Tuttle
998,996	A	7/1911	Swenson
1,072,490	A	9/1913	Oilar
1,175,526	A	3/1916	Jones
1,577,089	A	3/1926	Whitford
1,577,825	A	3/1926	Jenness
1,741,361	A	12/1929	Doyle
2,106,834	A	2/1938	Ewald
2,112,122	A	3/1938	Sullivan
2,210,255	A	8/1940	Peevey
2,235,191	A	3/1941	Arnould
2,244,310	A	6/1941	Murphy
2,291,203	A	7/1942	Bent
2,300,898	A	11/1942	Allen
2,401,999	A	6/1946	Wolfe

D149,816	S	6/1948	Ivelow
2,598,295	A	5/1952	Pelton
2,602,171	A	7/1952	Good
2,611,139	A	9/1952	Ecklund
2,642,589	A	6/1953	Cobb
2,668,963	A	2/1954	Drake
3,317,932	A	5/1967	Gibbons, Sr.
3,713,182	A	1/1973	McNeal
4,190,915	A *	3/1980	Birt ..... 5/505.1
4,287,622	A	9/1981	Lane
4,353,140	A *	10/1982	Graber ..... 5/505.1
4,561,549	A	12/1985	Yokohori
D292,763	S *	11/1987	Rich ..... D6/462
4,841,589	A	6/1989	Moore
5,329,658	A	7/1994	Fontenot
5,438,720	A	8/1995	Daneshvar
5,881,406	A	3/1999	Cobb

(Continued)

*Primary Examiner* — Mary Ann Calabrese

(74) *Attorney, Agent, or Firm* — Pedersen and Company, PLLC; Ken J. Pedersen; Barbara S. Pedersen

(57) **CLAIM**

The ornamental design for an adjustable support frame, as shown and described.

**DESCRIPTION**

FIG. 1 is a front perspective view of an adjustable support frame, according to the invented design, featuring rounded feet.

FIG. 2 is a top view of the adjustable support frame of FIG. 1.

FIG. 3 is a front view of the adjustable support frame of FIG. 1.

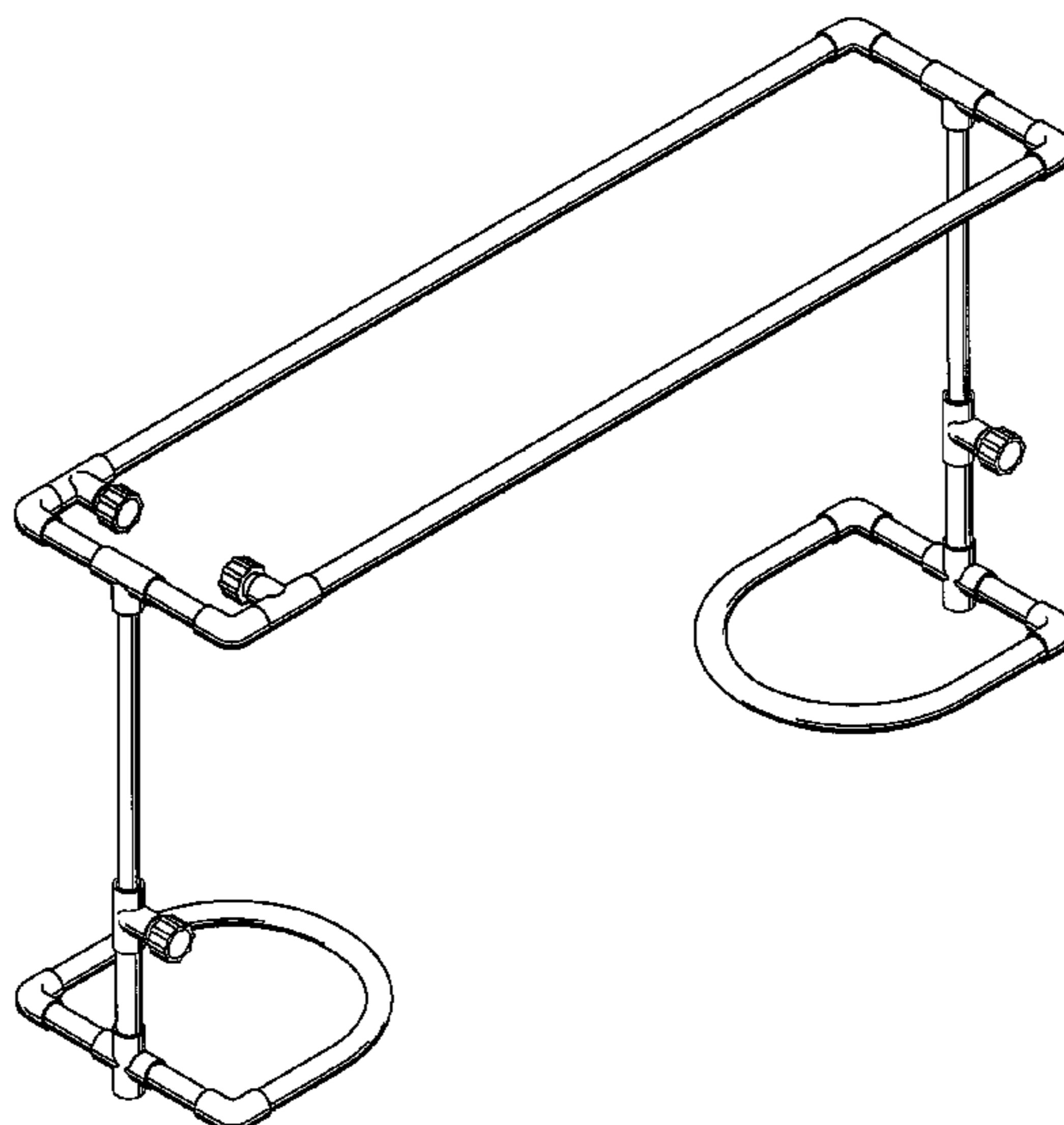
FIG. 4 is a bottom view of the adjustable support frame of FIG. 1.

FIG. 5 is a rear view of the adjustable support frame of FIG. 1.

FIG. 6 is a left end view of the adjustable support frame of FIG. 1; and,

FIG. 7 is a right end view of the adjustable support frame of FIG. 1.

**1 Claim, 5 Drawing Sheets**



# US D649,378 S

Page 2

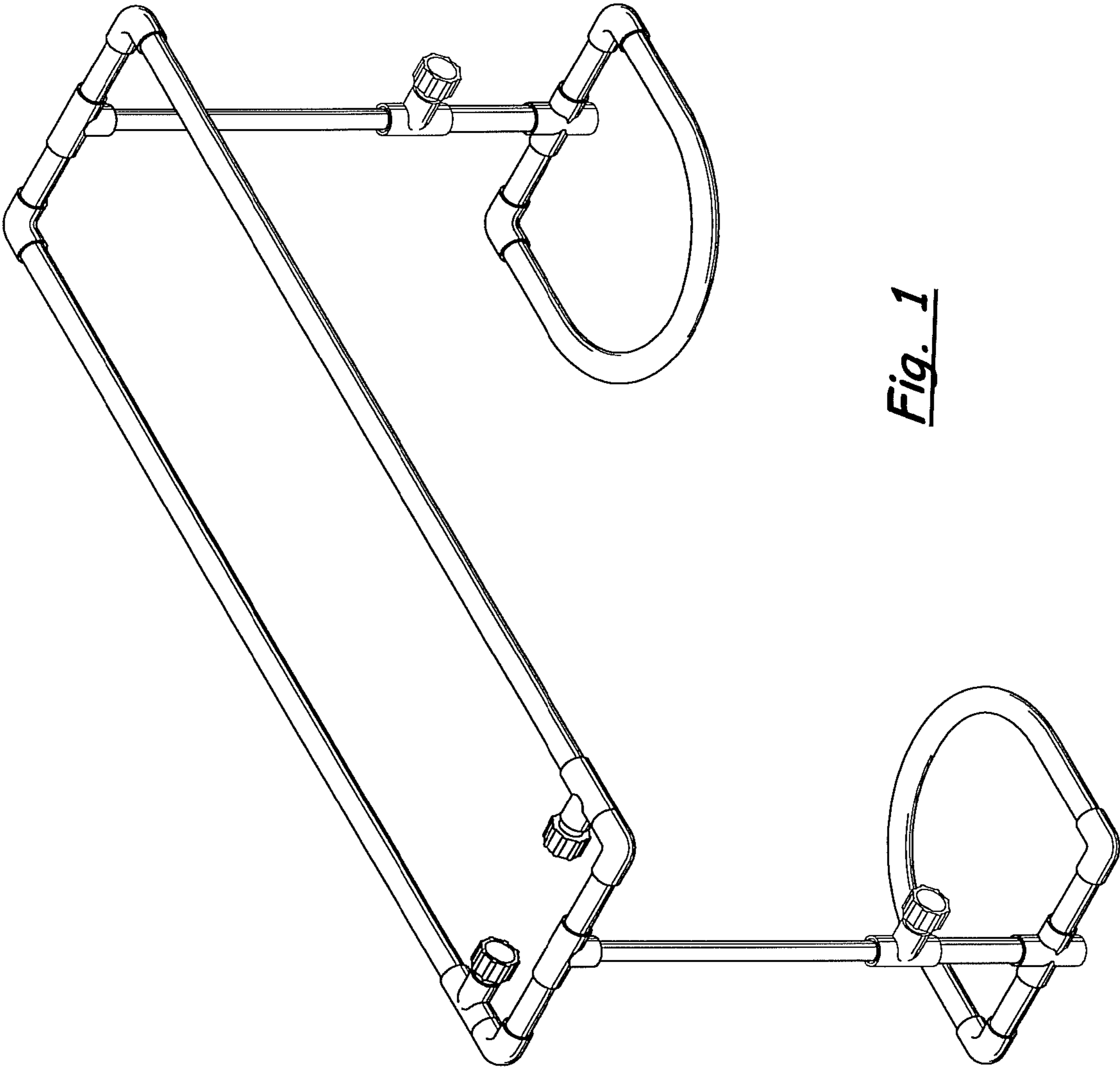
---

## U.S. PATENT DOCUMENTS

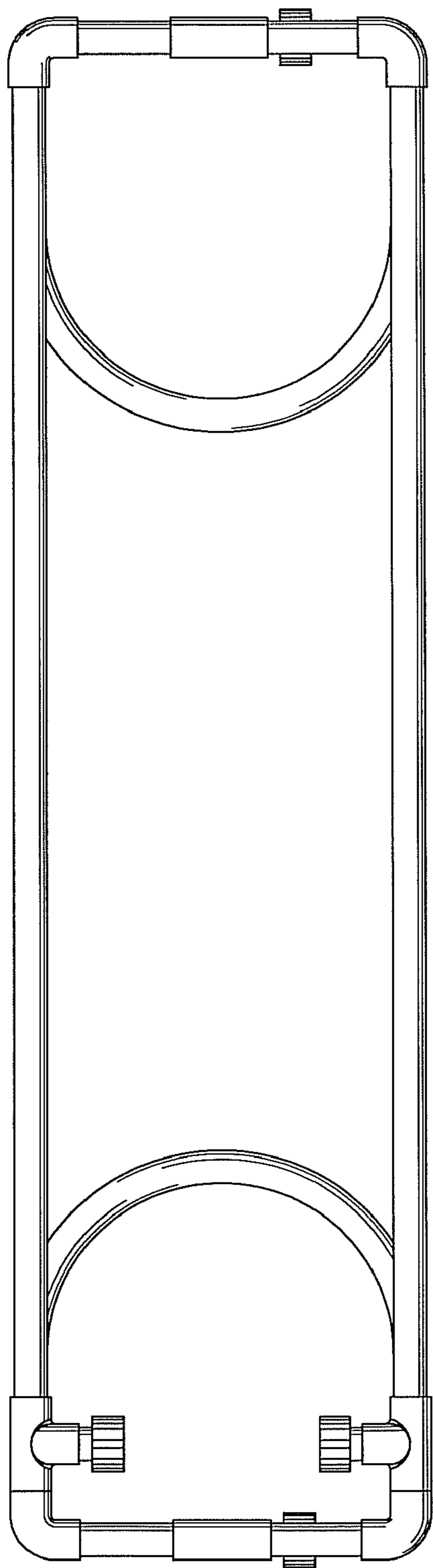
6,240,581 B1 6/2001 Pender  
6,834,403 B1 12/2004 Elliott  
6,895,615 B2 5/2005 Dilascio  
6,901,616 B1 6/2005 Warrington  
6,935,992 B2 8/2005 Gehrke  
7,137,159 B1 11/2006 Choate  
7,617,552 B2 11/2009 Strickland

D620,279 S 7/2010 Lebon, III  
D637,015 S 5/2011 Rogers  
2003/0229942 A1 12/2003 Dilascio  
2005/0273931 A1 12/2005 Edwards  
2006/0248647 A1 11/2006 Huber  
2008/0276375 A1 11/2008 Gehrke  
2008/0295247 A1 12/2008 Rogers

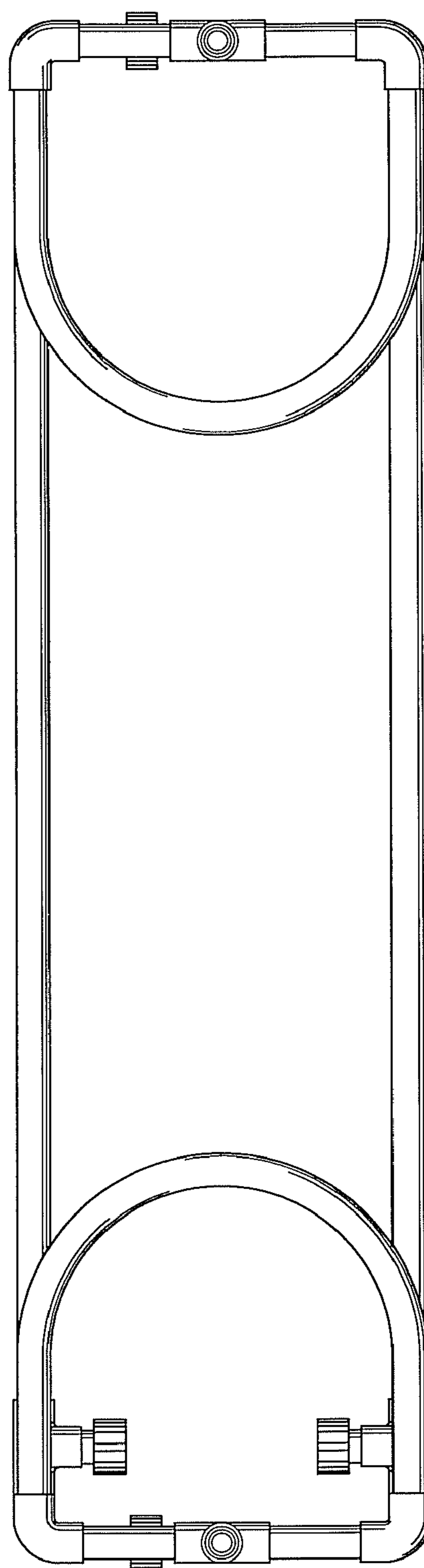
\* cited by examiner



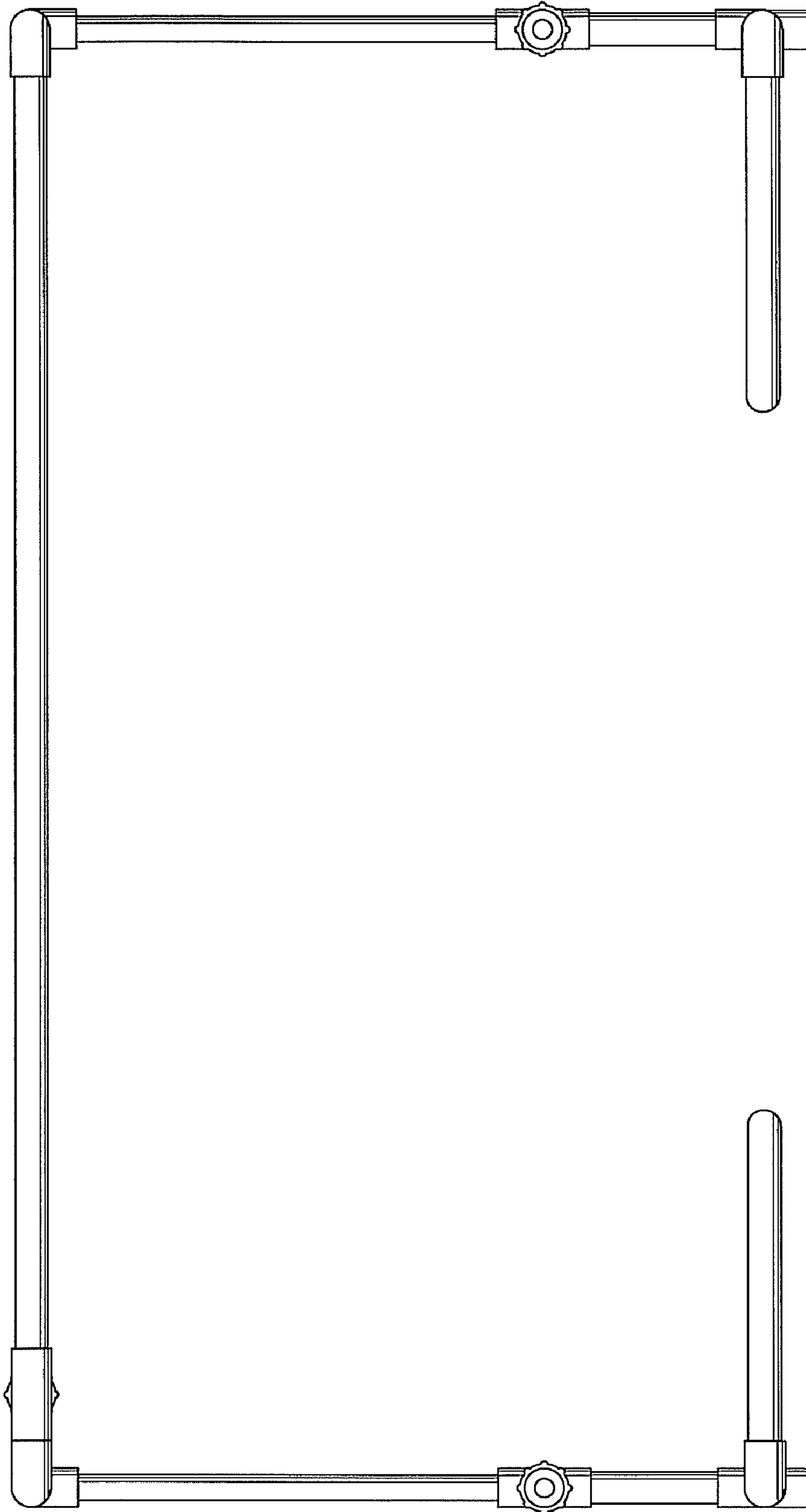
*Fig. 1*



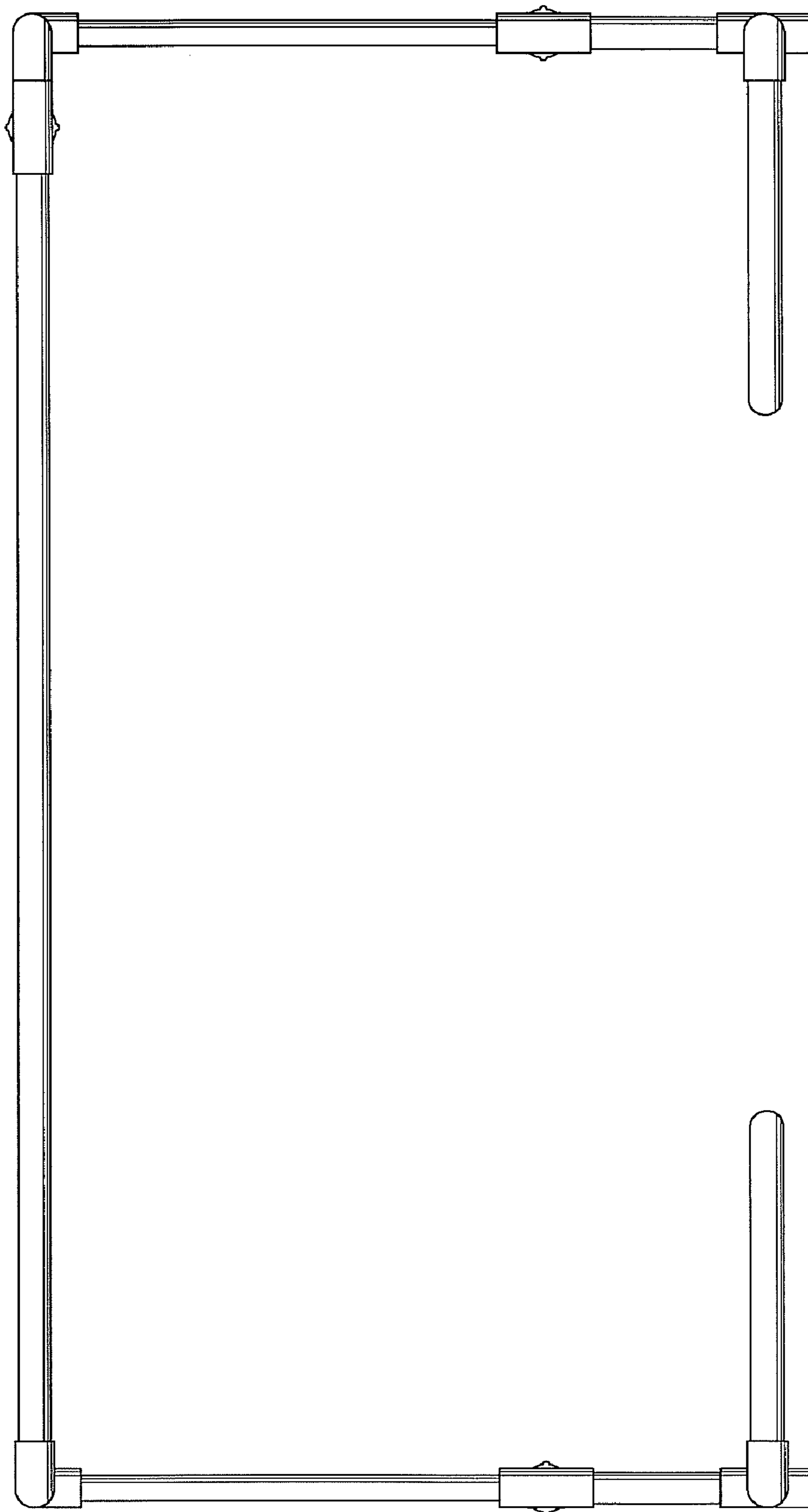
*Fig. 2*



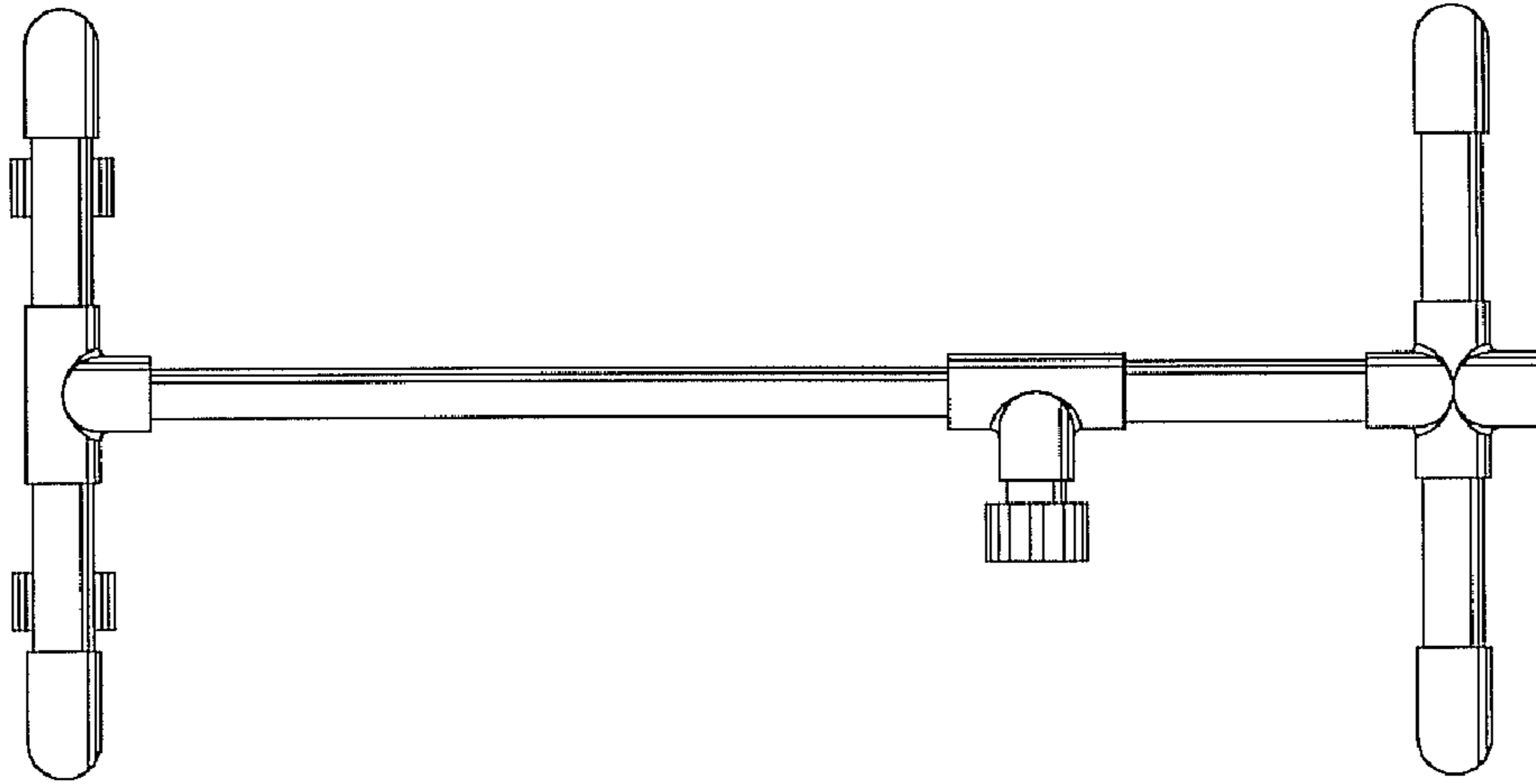
*Fig. 3*



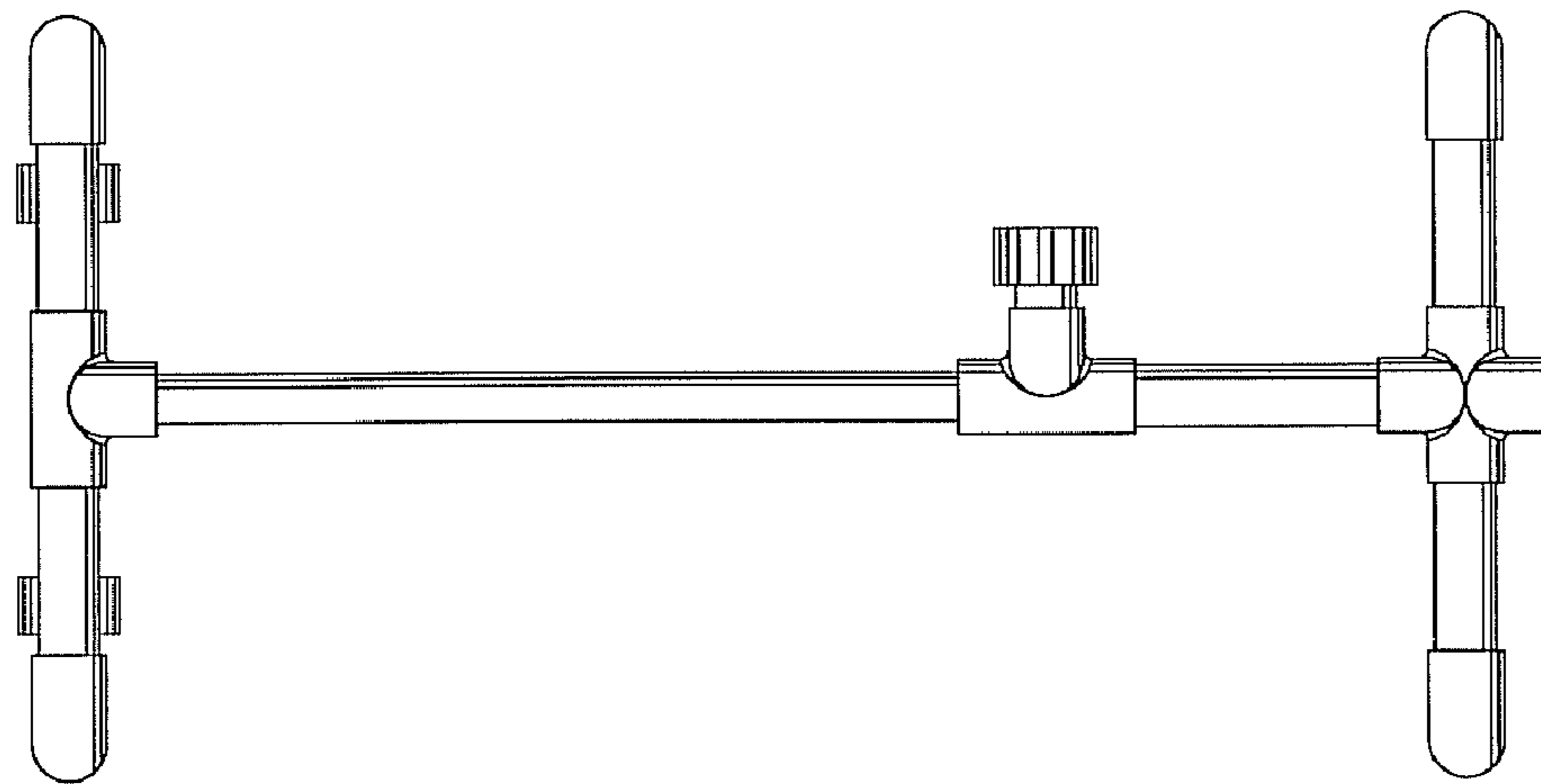
*Fig. 4*



*Fig. 5*



*Fig. 7*



*Fig. 6*