



US00D649377S

(12) **United States Design Patent**  
**Manalang et al.**

(10) **Patent No.:** **US D649,377 S**  
(45) **Date of Patent:** **\*\* Nov. 29, 2011**

(54) **STORAGE ASSEMBLY**  
(75) Inventors: **Edwin Dizon Manalang**, Burbank, IL  
(US); **Larry Mitchell Grela**, Plainfield,  
IL (US)

(73) Assignee: **Larry Mitchell Grela**, Plainfield, IL  
(US)

(\*\*) Term: **14 Years**

(21) Appl. No.: **29/315,344**

(22) Filed: **Jun. 17, 2009**

(51) **LOC (9) Cl.** ..... **06-06**

(52) **U.S. Cl.** ..... **D6/443**

(58) **Field of Classification Search** ..... D6/397,  
D6/432, 440, 441, 443-446, 448, 491, 509,  
D6/511; 312/107, 207, 213, 284

See application file for complete search history.

(56) **References Cited**

**U.S. PATENT DOCUMENTS**

652,778 A	7/1900	James	
898,106 A	9/1908	Higgins	
1,113,832 A	8/1914	Roth	
1,414,826 A	5/1922	Meyerson	
1,514,885 A	3/1924	Bigler	
1,510,240 A	9/1924	Carrier	
1,984,345 A	12/1934	Kennedy	
1,987,822 A	1/1935	Gregory	
2,125,523 A *	8/1938	Smith	312/114
2,286,427 A	6/1942	Levensten	
2,525,208 A	9/1946	Clink	
2,880,918 A	4/1959	Schweikhard	
2,996,192 A	12/1959	Dell et al.	
2,995,256 A	8/1961	Schoenfisch	
3,092,428 A	6/1963	Kerschner	
3,259,230 A	7/1966	Jaeger	
3,462,208 A	8/1969	Clarence et al.	
3,520,583 A	7/1970	Case	
3,558,205 A	1/1971	Mueller	
3,848,942 A	11/1974	Fanini	

3,954,202 A	5/1976	Petrick
4,058,210 A	11/1977	Mitchell
4,108,514 A	8/1978	Zimmerman
425,215 A	4/1980	Franklin
4,211,455 A	7/1980	Tedrow
4,266,835 A	5/1981	Schmidt
4,288,132 A	9/1981	Znamirovski et al.
4,303,158 A	12/1981	Perkins
4,614,384 A	9/1986	Takano et al.
4,733,703 A	3/1988	Cimino
4,821,143 A	4/1989	Holmgren et al.
4,836,626 A	6/1989	Taylor et al.
5,257,860 A	11/1993	Slivon
5,403,139 A	4/1995	Slivon et al.

(Continued)

**OTHER PUBLICATIONS**

PCT Search Report of Aug. 12, 2009 for PCT/US2008/003543.

(Continued)

*Primary Examiner* — Elizabeth Albert

*Assistant Examiner* — Kelley Donnelly

(74) *Attorney, Agent, or Firm* — John G. Chupa

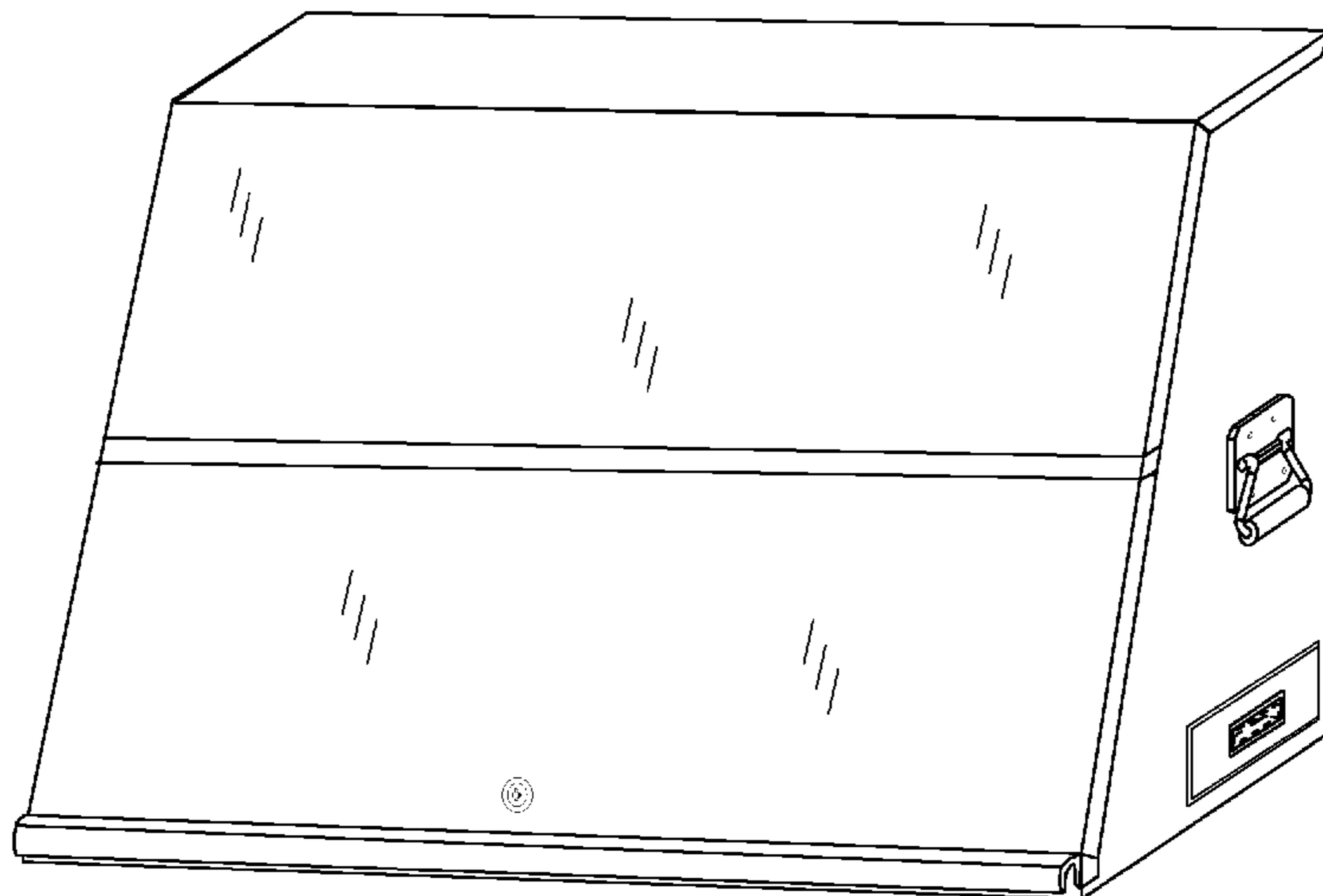
(57) **CLAIM**

We claim the ornamental design for a storage assembly, as shown and described.

**DESCRIPTION**

FIG. 1 is a front view of a storage assembly showing my new design;  
FIG. 2 is a back view thereof;  
FIG. 3 is a right side view thereof;  
FIG. 4 is an enlarged view of a handle thereof;  
FIG. 5 is a left side view thereof;  
FIG. 6 is a top view thereof; and,  
FIG. 7 is a perspective view thereof.  
The broken lines in FIGS. 2, 3, 5, and 7 are for the purpose of illustrating the environment of the design only and form no part of the claimed design.

**1 Claim, 7 Drawing Sheets**



# US D649,377 S

Page 2

## U.S. PATENT DOCUMENTS

D370,468	S *	6/1996	Moffatt et al. ....	D14/308	6,851,286	B2	2/2005	Dube et al.	
5,645,332	A	7/1997	Snoke et al.		D506,088	S *	6/2005	Moon et al. ....	D6/446
5,720,535	A	2/1998	Mehman		6,935,641	B2	8/2005	Hahn	
5,816,550	A	10/1998	Watanabe et al.		D520,264	S *	5/2006	Mehmen et al. ....	D6/441
5,857,757	A	1/1999	Bieker et al.		D520,784	S *	5/2006	Schmidt et al. ....	D6/510
5,862,689	A	1/1999	Wen		D524,506	S *	7/2006	Hay et al. ....	D34/20
D407,385	S *	3/1999	Belanger et al. ....	D14/308	7,121,638	B1	10/2006	Eggert et al.	
5,927,838	A	7/1999	Hellman		7,296,808	B2	11/2007	Huguet	
5,951,129	A	9/1999	Stein		D560,079	S *	1/2008	Mehmen .....	D6/441
6,039,417	A	3/2000	Snoke et al.		D574,628	S	8/2008	Grela	
D423,465	S *	4/2000	Runnalls et al. ....	D14/140.2	D576,940	S *	9/2008	Maynard .....	D13/102
6,076,906	A	6/2000	Royal		D584,251	S *	1/2009	Lewis et al. ....	D13/184
D429,116	S *	8/2000	Mount .....	D7/605	D586,163	S *	2/2009	Hand .....	D6/510
6,095,532	A	8/2000	Martin		7,510,078	B2	3/2009	Schmidt et al.	
6,109,709	A	8/2000	Holcomb et al.		D596,399	S	7/2009	Decarlo et al.	
6,152,552	A	11/2000	Snoke et al.		D626,635	S *	11/2010	Thomas .....	D23/286
6,283,292	B1	9/2001	Chen		2003/0210517	A1	11/2003	Syring et al.	
6,341,511	B1	1/2002	Snoke et al.		2004/0195790	A1	10/2004	Wong Hahn	
6,374,649	B1	4/2002	Holcomb et al.		2005/0204646	A1	9/2005	Tupper et al.	
6,375,235	B1	4/2002	Mehmen		2006/0220503	A1	10/2006	Widrig	
D457,704	S *	5/2002	Fiscus et al. ....	D34/20	2007/0013280	A1	1/2007	Retchloff	
6,409,187	B1	6/2002	Crow, Jr.		2007/0080511	A1	4/2007	Campbell	
D459,614	S *	7/2002	Grosfillex .....	D6/446					
D459,911	S *	7/2002	Grosfillex .....	D6/436					
6,422,386	B1	7/2002	Wiese et al.						
D461,067	S *	8/2002	Frank et al. ....	D6/446					
D470,687	S *	2/2003	Binse et al. ....	D6/436					
D471,380	S *	3/2003	King et al. ....	D6/441					
6,736,265	B2	5/2004	Kipper et al.						

## OTHER PUBLICATIONS

Matco Tools Catalog as least as early as Feb. 6, 2009.

United States Trademark Registration No: 3,930,484.

Matco Tools Catalog as early as Jan. 1, 1996.

\* cited by examiner

Fig. 1

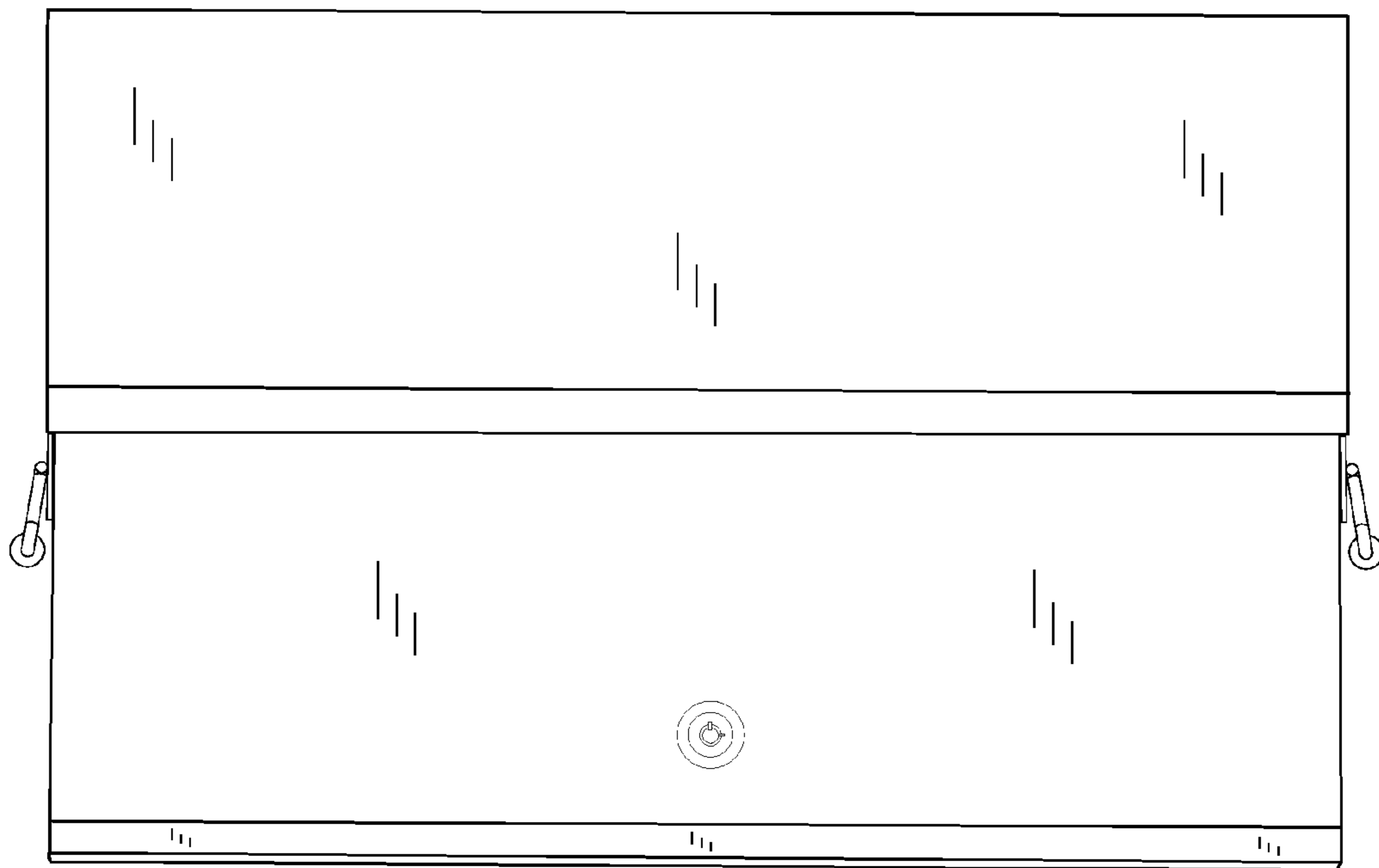


Fig. 2

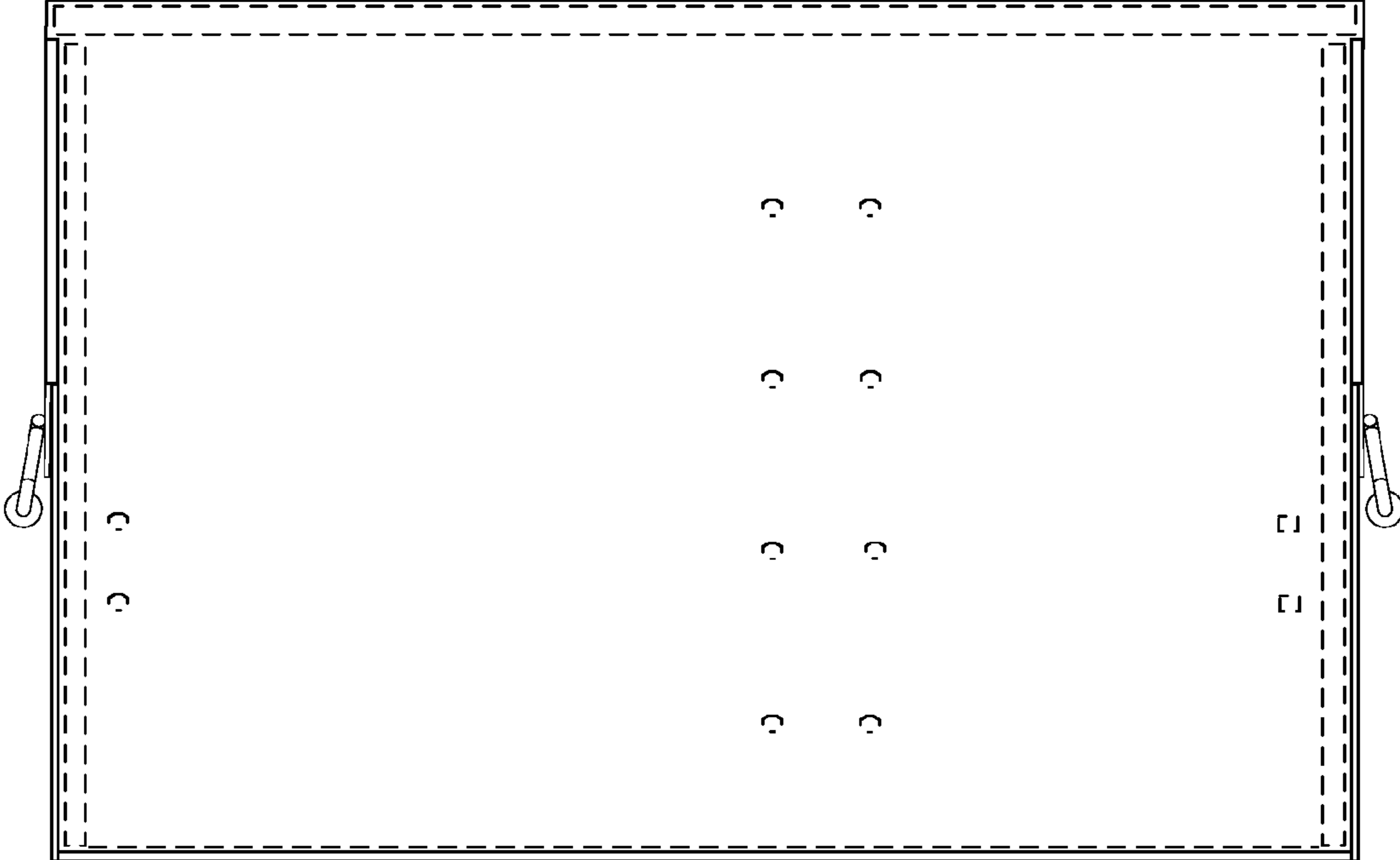


Fig. 3

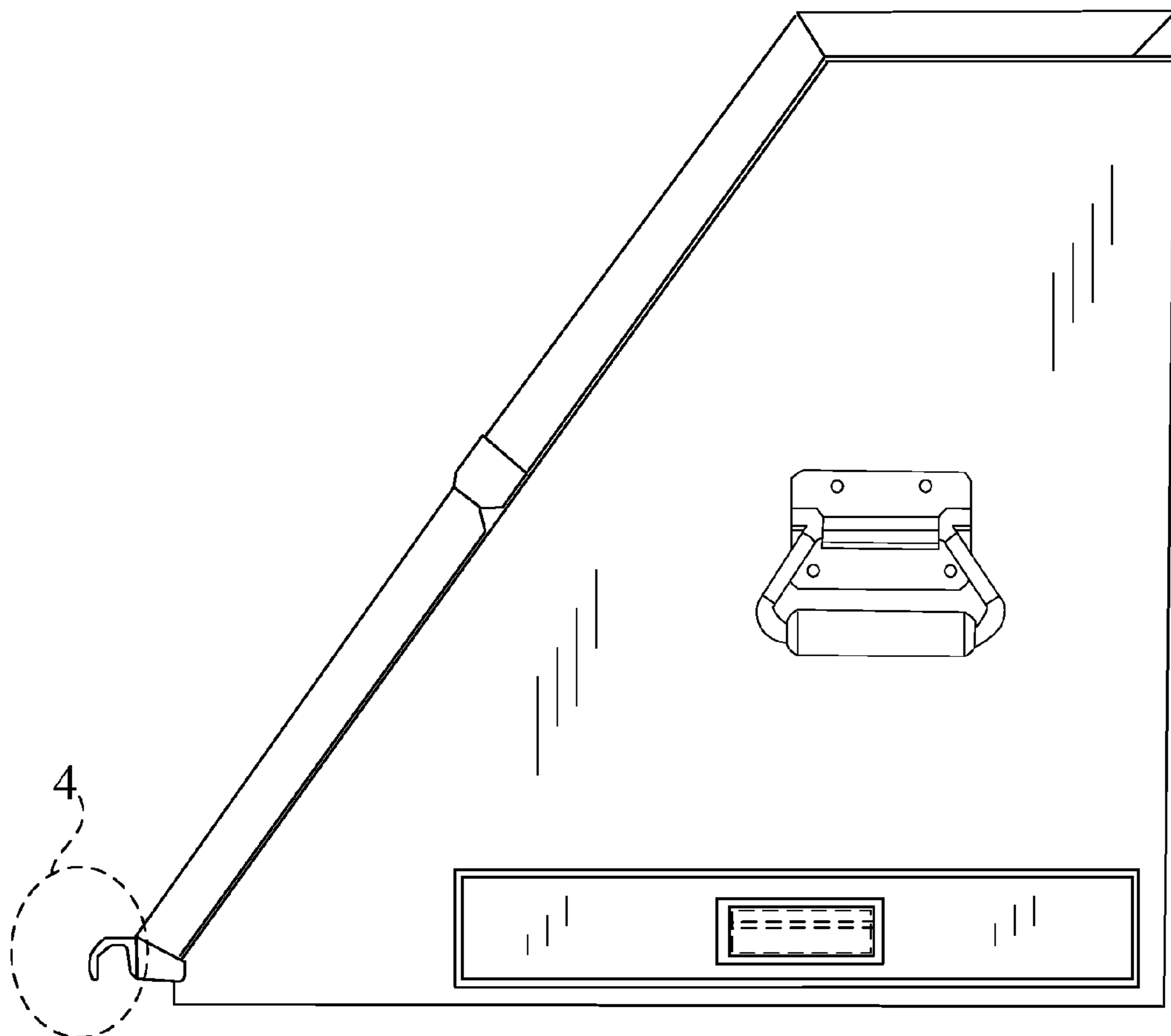


Fig. 4

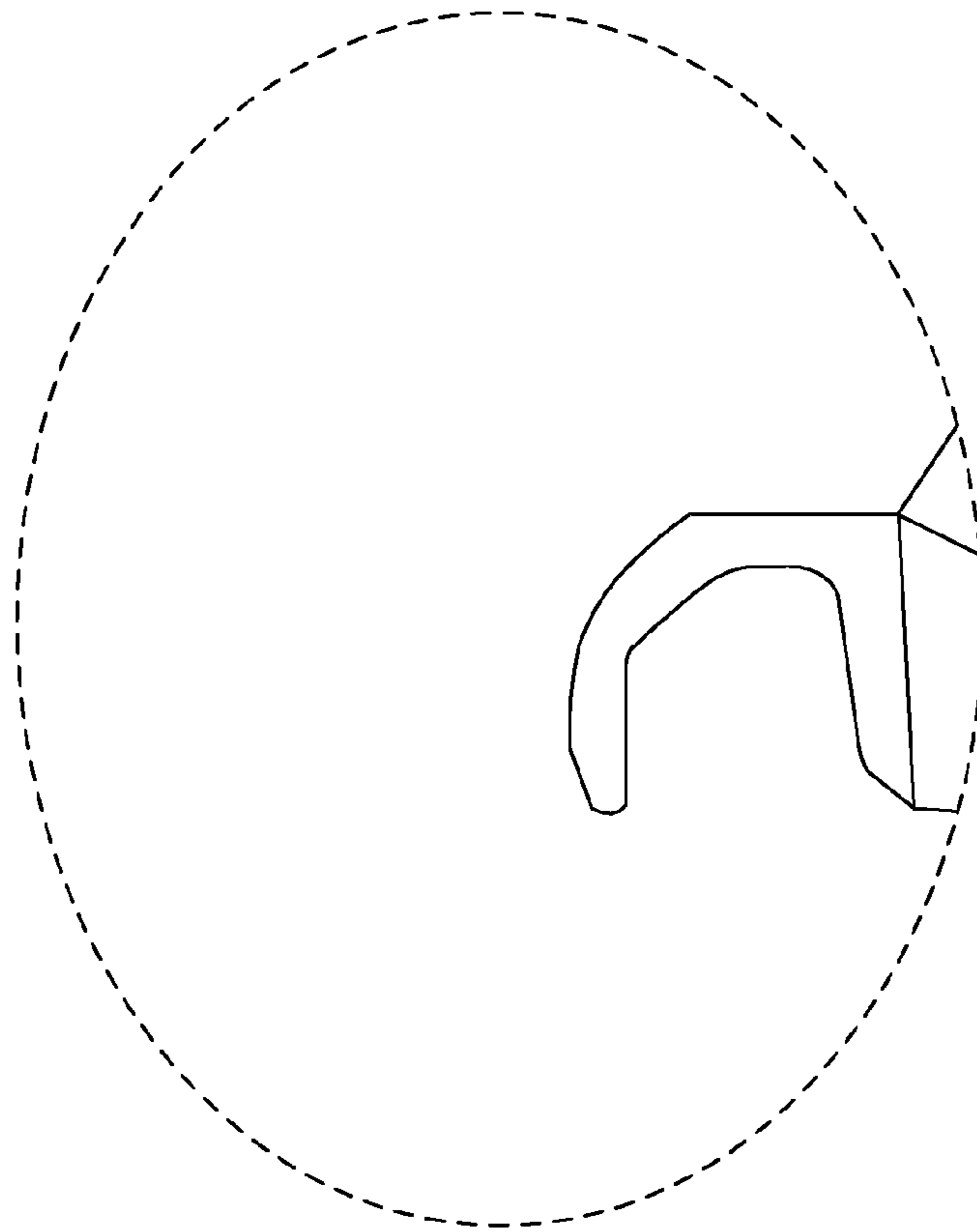


Fig. 5

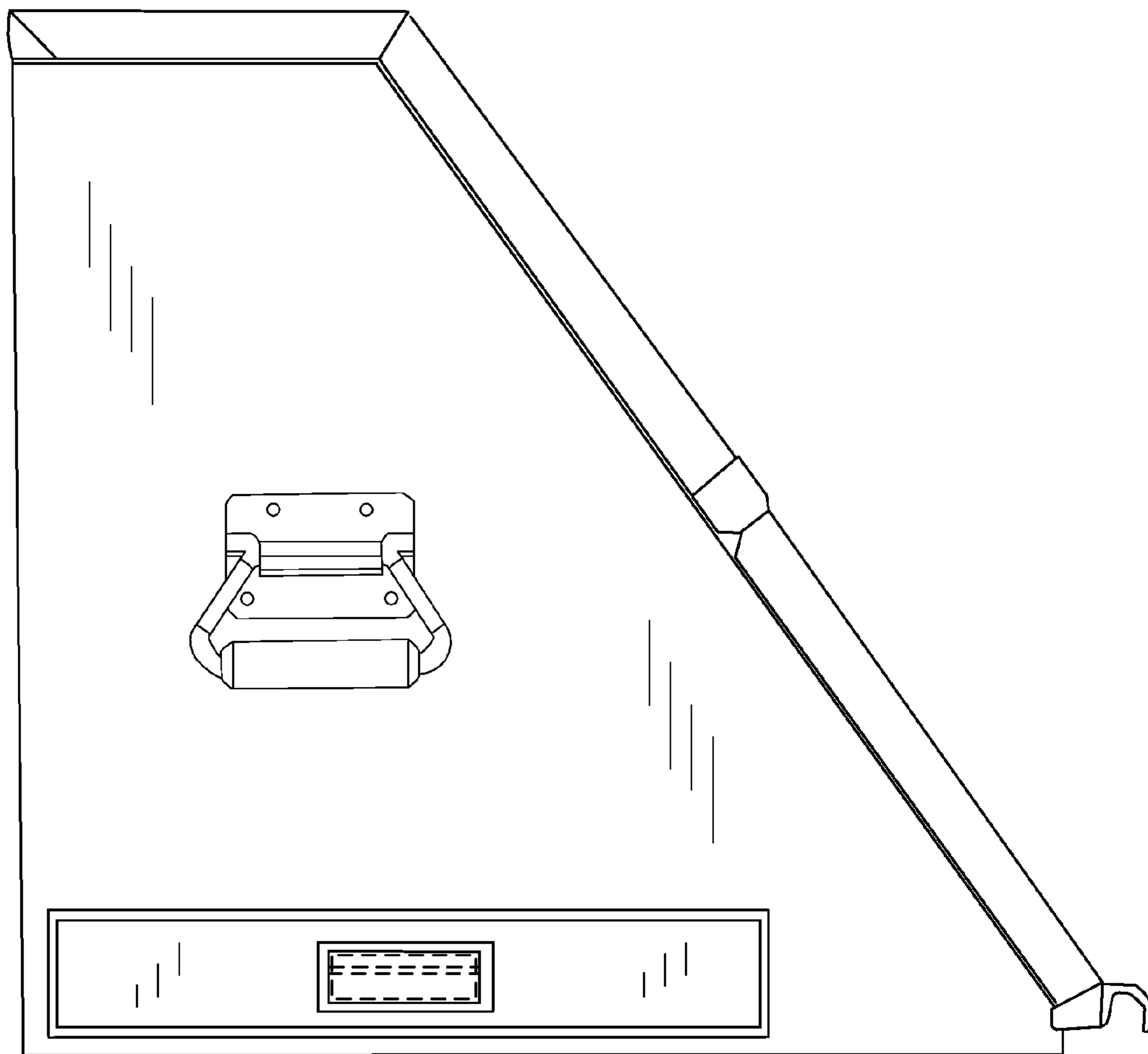


Fig. 6

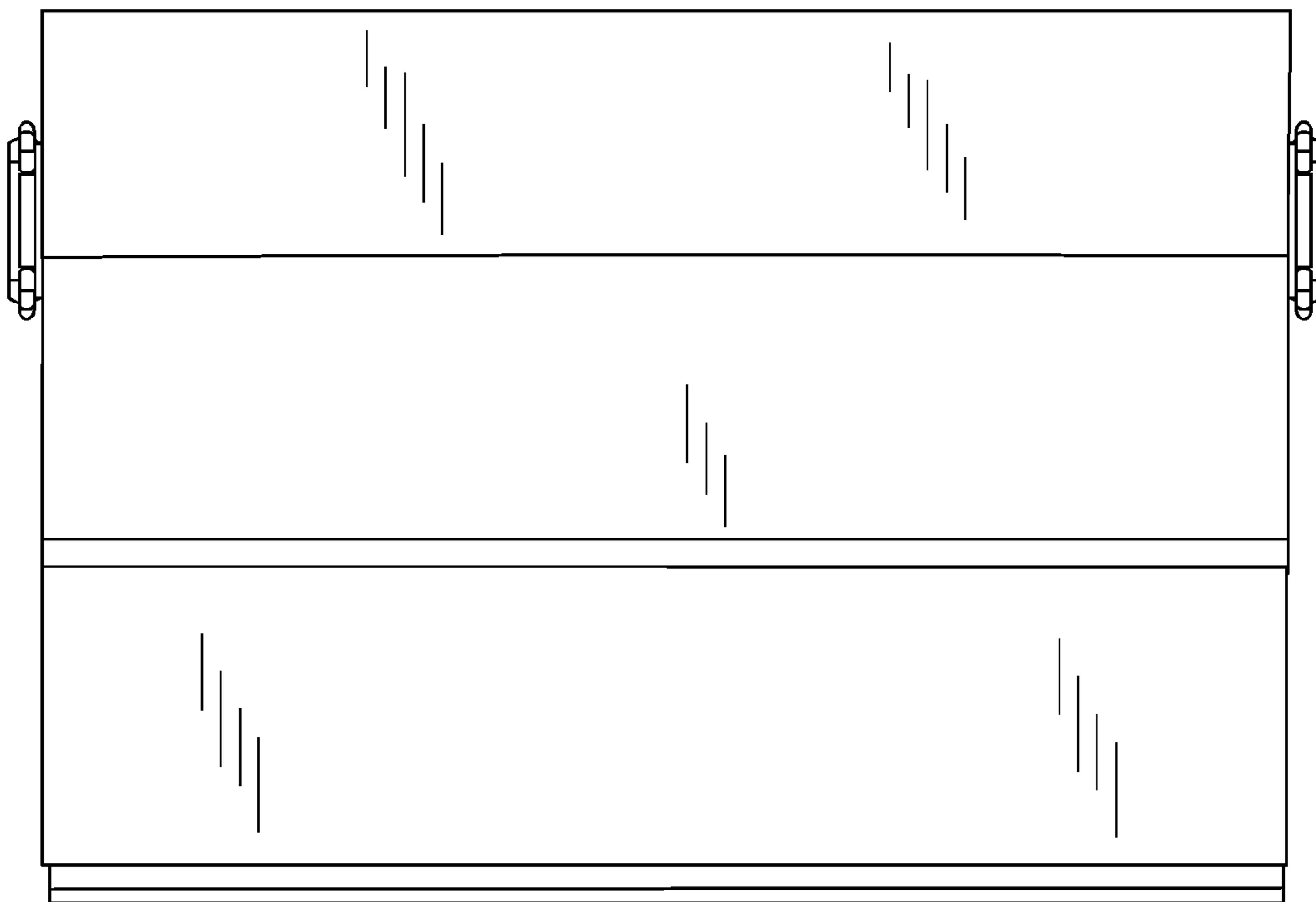




Fig. 7

